



US00D601040S

(12) **United States Design Patent**
Vovan et al.

(10) **Patent No.:** **US D601,040 S**
(45) **Date of Patent:** **** Sep. 29, 2009**

(54) **FOUR COMPARTMENT SQUARE CONTAINER**

(75) Inventors: **Terry Vovan**, Upland, CA (US); **Jimmy Pho**, Los Angeles, CA (US); **Cary Michael Horvath**, Glendale, CA (US)

(73) Assignee: **PWP Industries**, Vernon, CA (US)

(**) Term: **14 Years**

(21) Appl. No.: **29/312,458**

(22) Filed: **Oct. 21, 2008**

(51) **LOC (9) Cl.** **09-03**

(52) **U.S. Cl.** **D9/760; D9/425**

(58) **Field of Classification Search** D9/758-761,
D9/756, 737, 418, 425, 426, 428, 429-432;
D7/550, 555, 602, 560-562; D3/323, 313;
220/555-557; 426/108

See application file for complete search history.

(56) **References Cited**

U.S. PATENT DOCUMENTS

3,561,158	A	*	2/1971	Marcan	47/87
D241,622	S	*	9/1976	Smith	D9/760
D273,842	S	*	5/1984	Jeannin	D9/758
D352,203	S	*	11/1994	Campbell et al.	D7/553.2
5,657,873	A	*	8/1997	Hustad et al.	206/764
5,695,798	A	*	12/1997	Rozzano	426/115
D417,785	S	*	12/1999	Daniels	D3/313
D466,758	S	*	12/2002	Bradley	D7/357

D504,325	S	*	4/2005	Vovan	D9/761
D535,195	S	*	1/2007	Schwab	D9/756
D555,475	S	*	11/2007	Enriquez et al.	D9/425
D560,492	S	*	1/2008	Markowicz et al.	D9/425
D567,672	S	*	4/2008	Sheu	D9/758
D580,789	S	*	11/2008	Larson	D9/761
D591,174	S	*	4/2009	Larson	D9/761

* cited by examiner

Primary Examiner—Stella M Reid

Assistant Examiner—Mark A Goodwin

(74) *Attorney, Agent, or Firm*—Leon D. Rosen

(57) **CLAIM**

The ornamental design for four compartment square container, as shown and described.

DESCRIPTION

FIG. 1 is a top isometric view of a four compartment square container showing our new design.

FIG. 2 is a top plan view thereof.

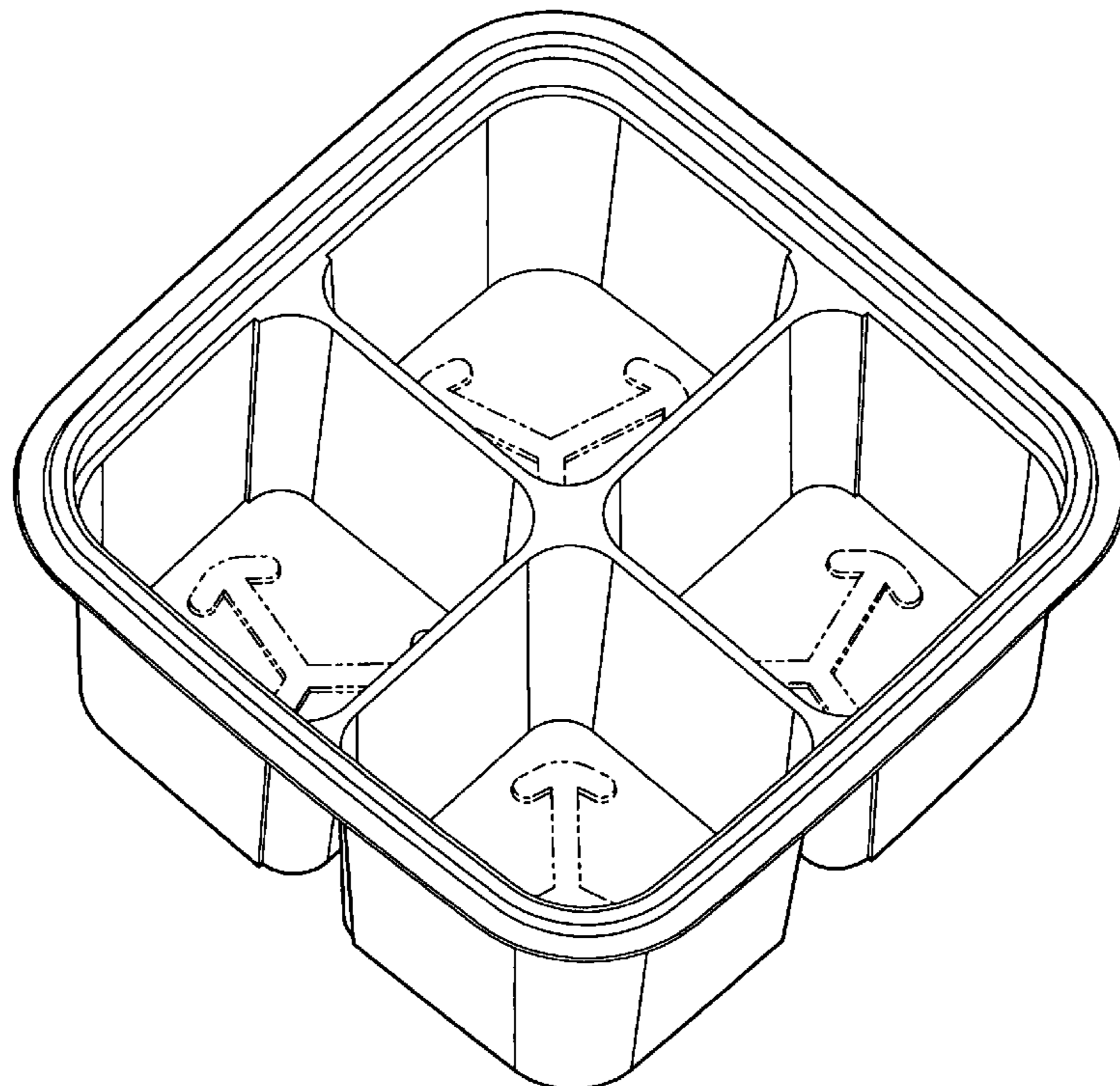
FIG. 3 is a bottom plan view thereof.

FIG. 4 is a front elevation view thereof, the rear elevation view being a mirror image thereof; and,

FIG. 5 is a left side elevation view thereof, the right side elevation view being identical thereof.

The broken line showing of trifurcated designs in FIGS. 1-3 are for the purpose of illustrating portions of the article and form no part of the claimed design.

1 Claim, 5 Drawing Sheets



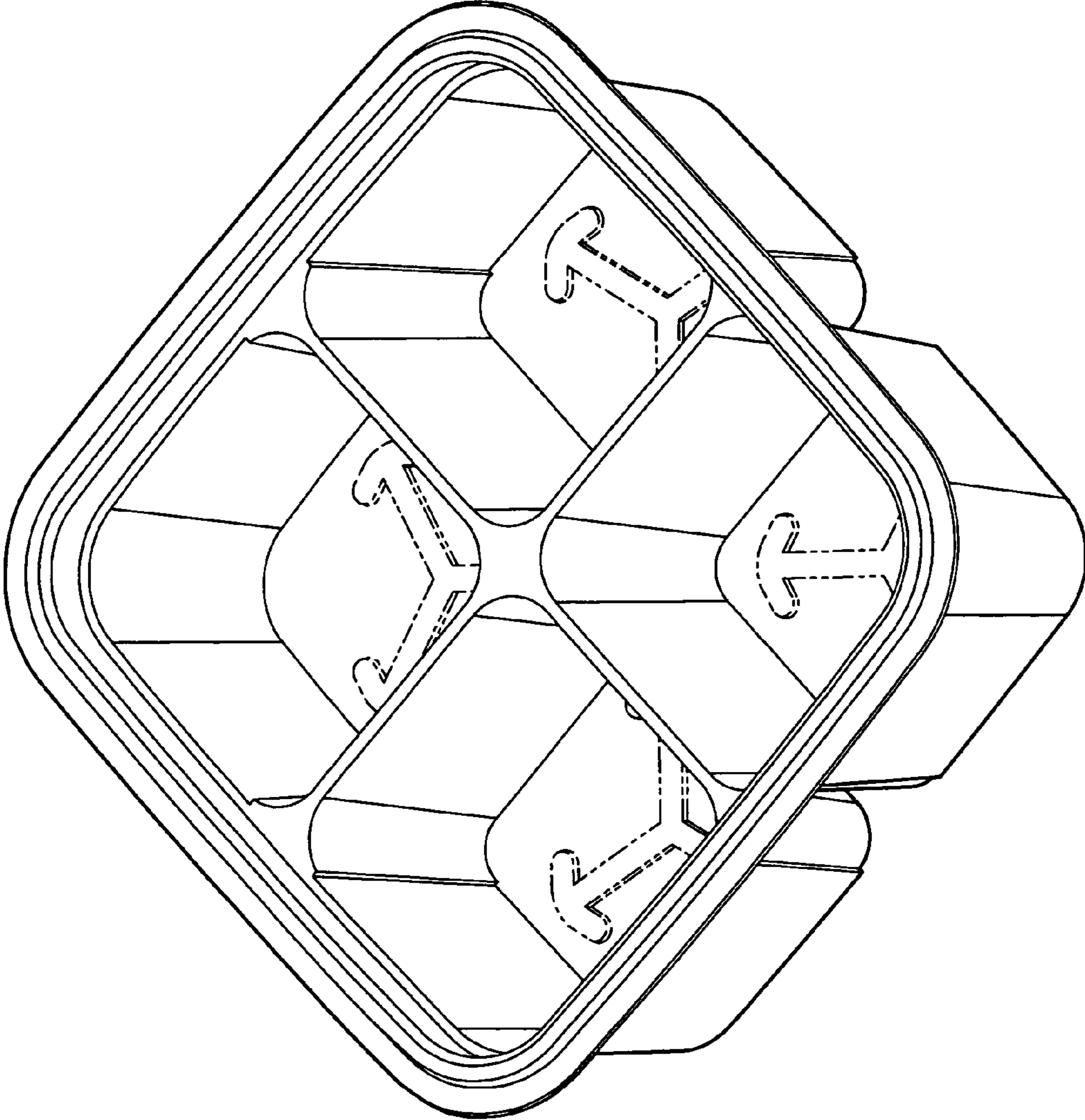


FIG. 1

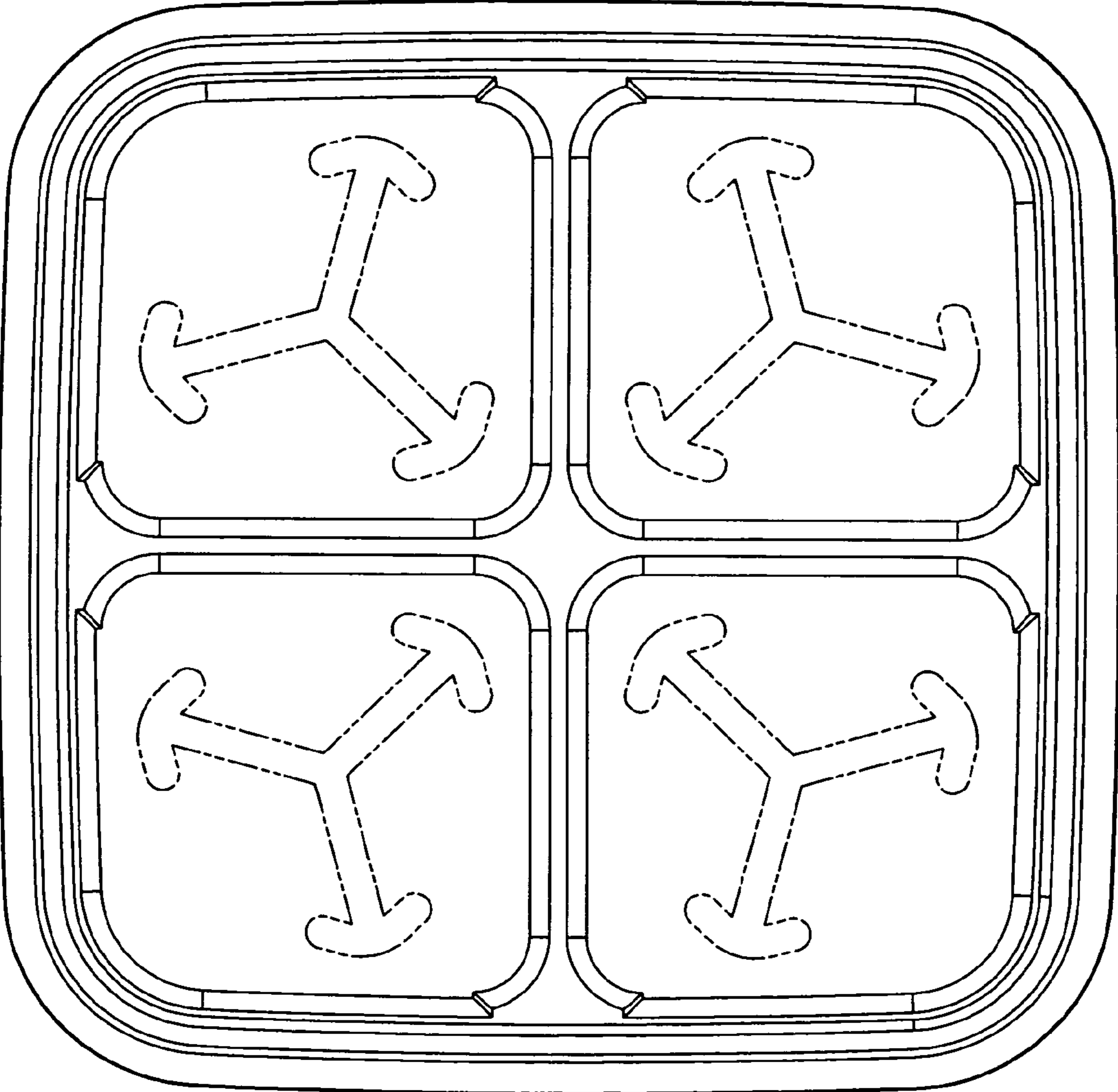


FIG. 2

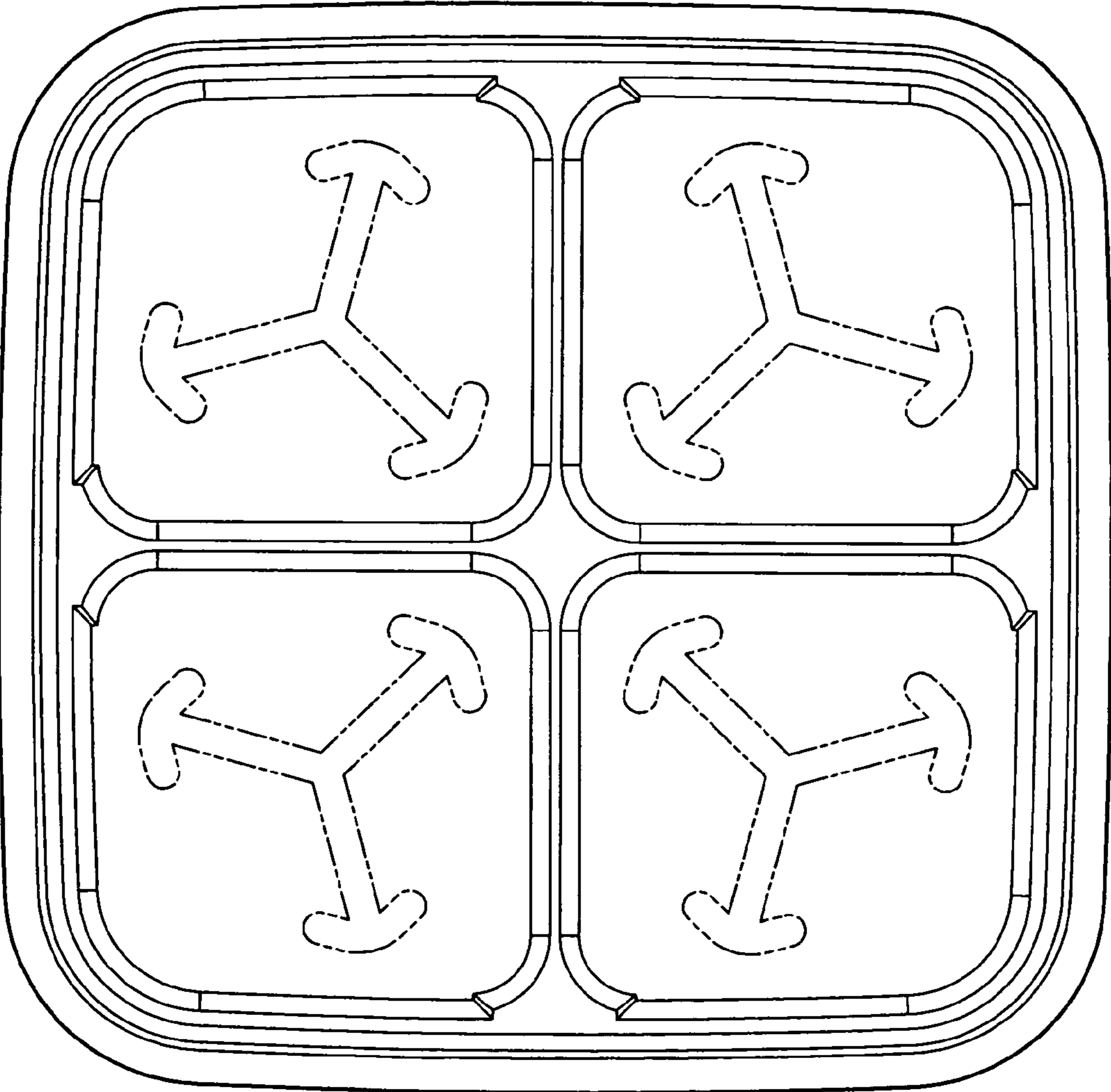


FIG. 3

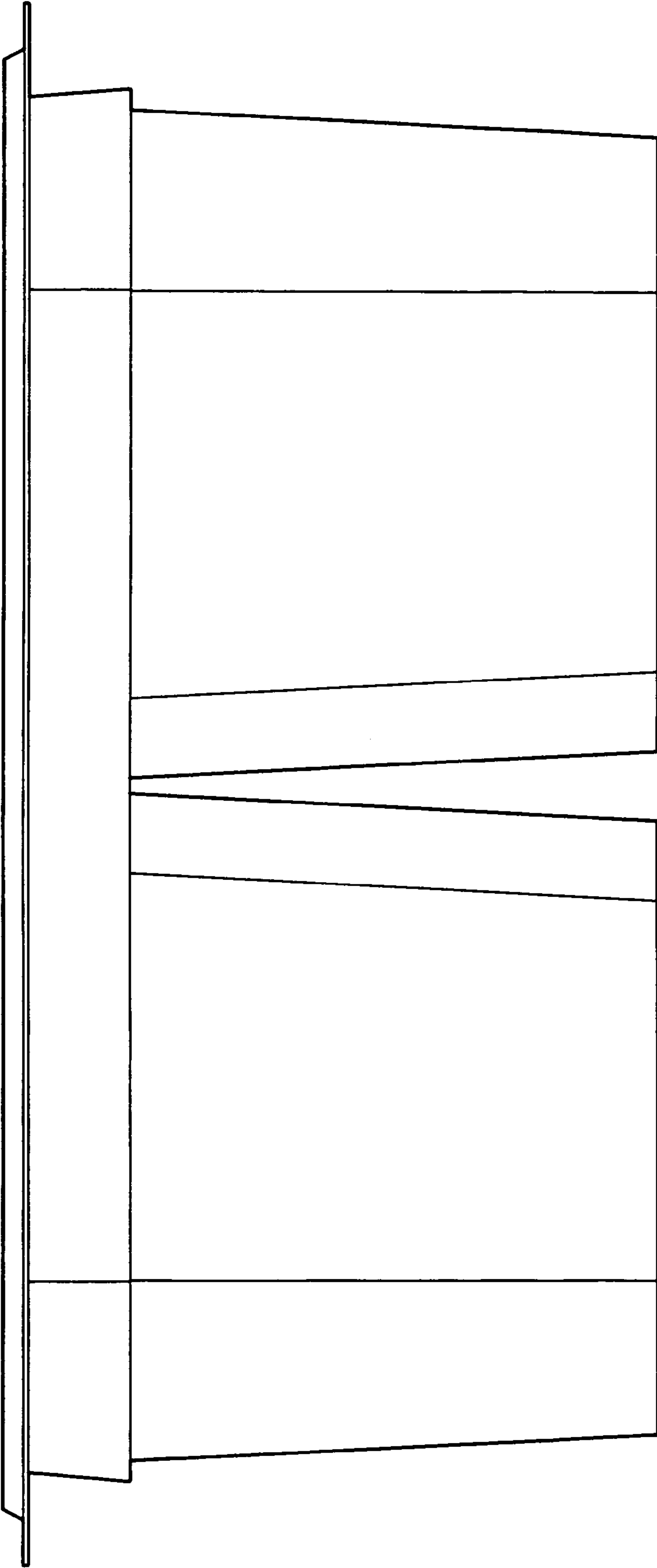


FIG. 4

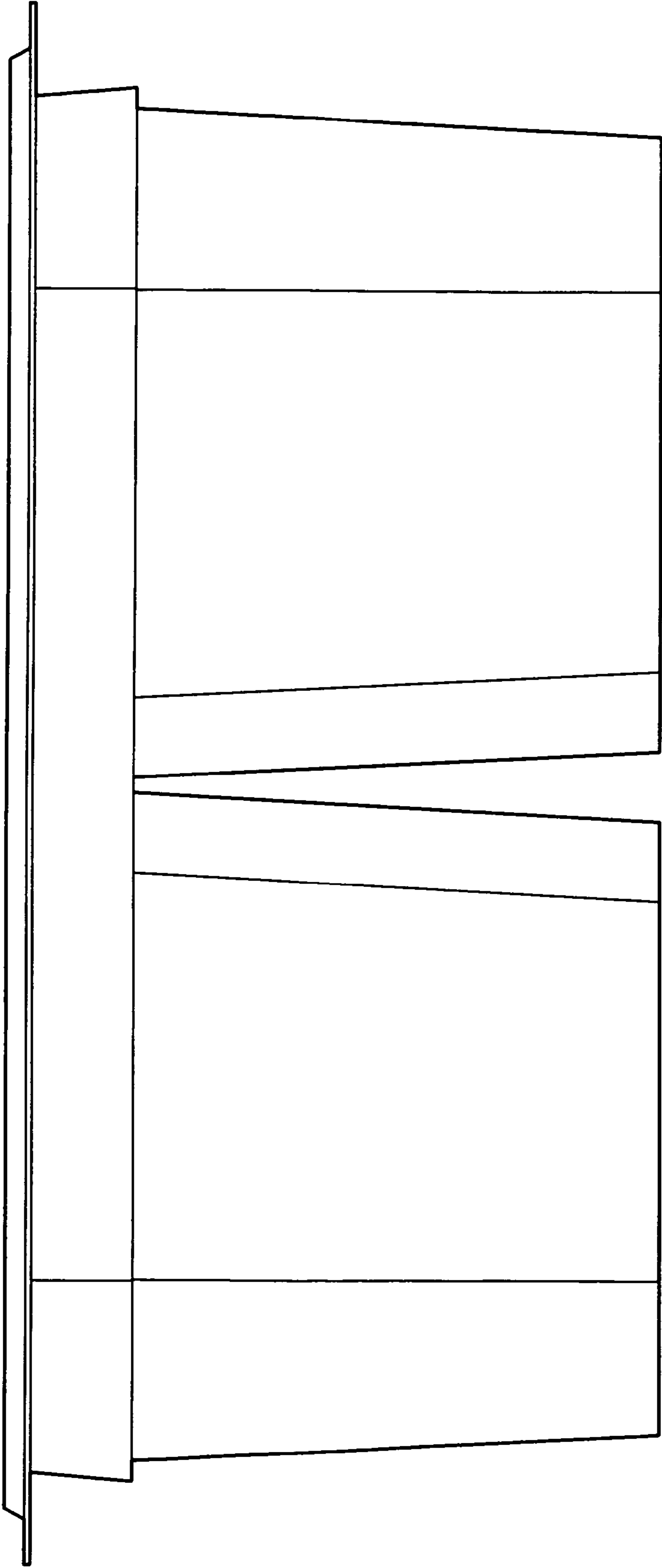


FIG. 5