



US00D601036S

(12) **United States Design Patent**  
**Palmer et al.**

(10) **Patent No.:** **US D601,036 S**  
(45) **Date of Patent:** **\*\* Sep. 29, 2009**

(54) **PACKAGE**

(75) Inventors: **Enoch Palmer**, Scarsdale, NY (US);  
**Anthony Yumul**, New York, NY (US);  
**Jeff Jeppesen**, Brooklyn, NY (US)

(73) Assignee: **J&J Consumer Companies, Inc.**,  
Skillman, NJ (US)

(\*\*) Term: **14 Years**

(21) Appl. No.: **29/331,616**

(22) Filed: **Jan. 29, 2009**

(51) **LOC (9) Cl.** ..... **09-03**

(52) **U.S. Cl.** ..... **D9/697**

(58) **Field of Classification Search** ..... D9/695-699,  
D9/521, 544, 435, 440, 454, 723-724, 504;  
222/92, 107, 96, 527-529; 206/438, 822;  
D28/76, 7, 82; 220/DIG. 7

See application file for complete search history.

(56) **References Cited**

**U.S. PATENT DOCUMENTS**

1,595,676	A	8/1926	Merkert	
2,182,243	A	12/1939	Baker	
3,604,491	A	9/1971	Spieß	
D245,758	S	9/1977	Pardo	
5,122,218	A	6/1992	Lapp, Jr. et al.	
D344,888	S	3/1994	Linner	
D349,449	S	8/1994	Linner	
D351,101	S	10/1994	Linner	
D364,557	S	11/1995	Linner	
D367,606	S	3/1996	Linner	
D392,879	S *	3/1998	Couey	D9/697
D429,146	S *	8/2000	Thibiant et al.	D9/697
D432,714	S	10/2000	Leslie et al.	
D479,122	S *	9/2003	Karim	D9/697
D488,059	S *	4/2004	Mounier	D9/697
D532,701	S	11/2006	Spencer	
D534,081	S	12/2006	Kazuo et al.	
D535,191	S	1/2007	Corker	
D542,672	S *	5/2007	Kenyon	D9/697

D547,672	S *	7/2007	Penfold et al.	D9/697
D548,600	S	8/2007	Escobosa et al.	
D551,088	S *	9/2007	Dittmer et al.	D9/697
D551,089	S	9/2007	Soderstrom	
D558,592	S	1/2008	Soderstrom	
D559,703	S *	1/2008	Egawa	D9/697
D561,046	S *	2/2008	Kerman	D9/697
D567,669	S	4/2008	Py et al.	
D568,171	S	5/2008	Kawashima	
D587,128	S *	2/2009	Swanson et al.	D9/698

**FOREIGN PATENT DOCUMENTS**

EP	769452	12/2001
GB	2210015	6/1989

\* cited by examiner

*Primary Examiner*—Joel Sincavage  
*Assistant Examiner*—Abraham Bahta

(74) *Attorney, Agent, or Firm*—Karen G. Horowitz

(57) **CLAIM**

We claim the ornamental design for a package, as shown and described.

**DESCRIPTION**

FIG. 1 is a front, right, top perspective view of the package showing my new design;

FIG. 2 is a front elevational view thereof;

FIG. 3 is a left side elevational view thereof;

FIG. 4 is a back elevational view thereof;

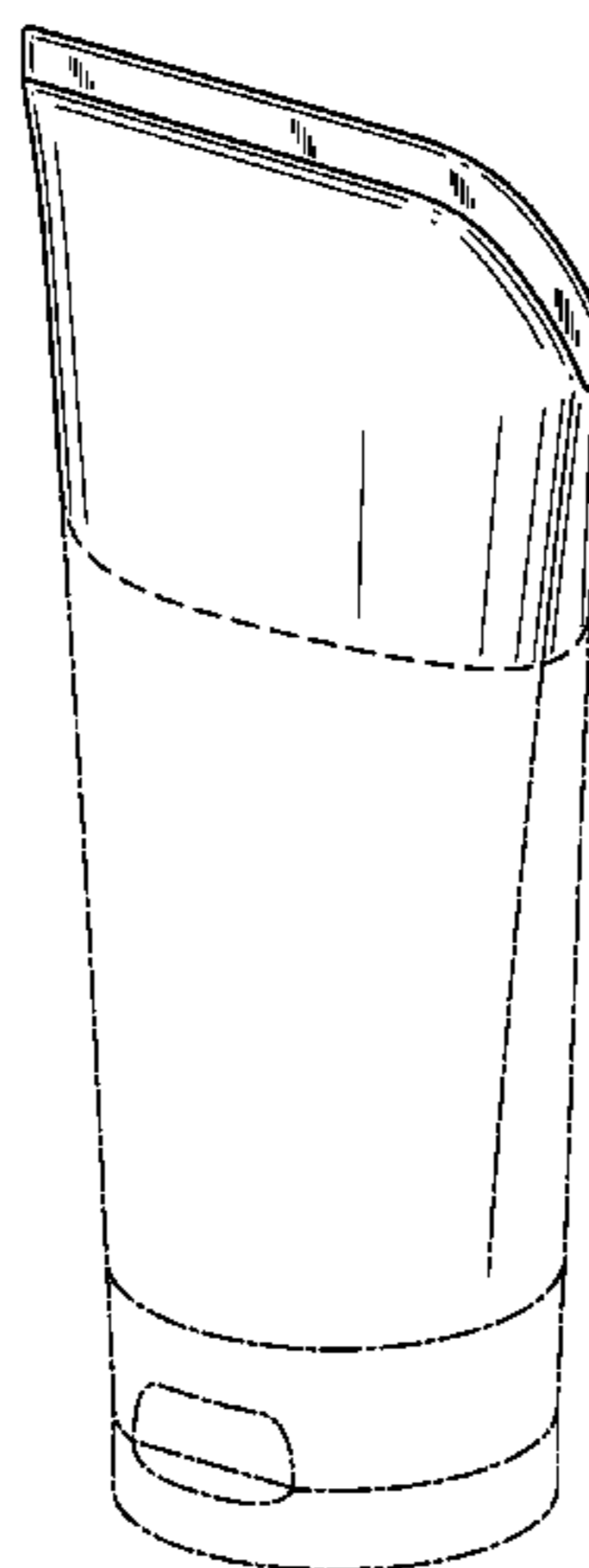
FIG. 5 is a right side elevational view thereof;

FIG. 6 is a top end view thereof; and,

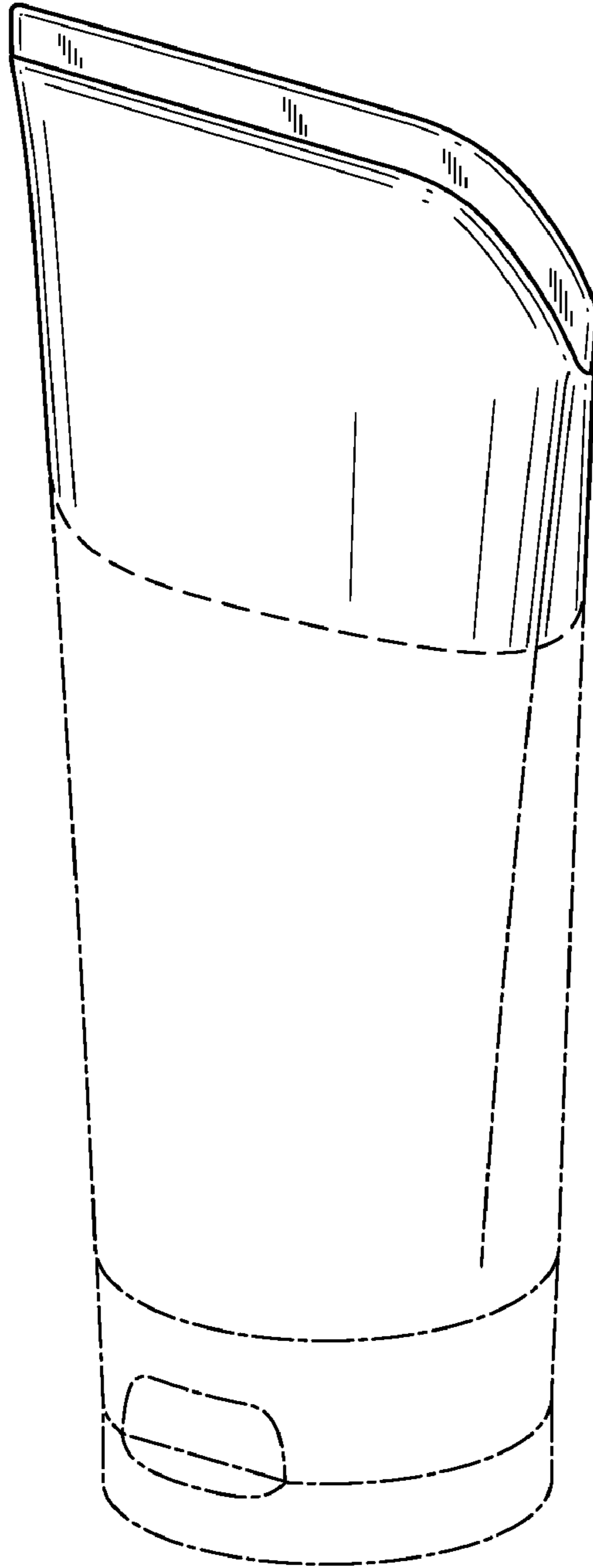
FIG. 7 is a bottom end view thereof.

The dot-dash lines in the drawings illustrate portions of the package that do not form a part of the claimed design. The dashed lines in the drawings delineate the boundaries of the claimed subject matter, wherein the claimed subject matter includes shading and the unclaimed subject matter does not include shading.

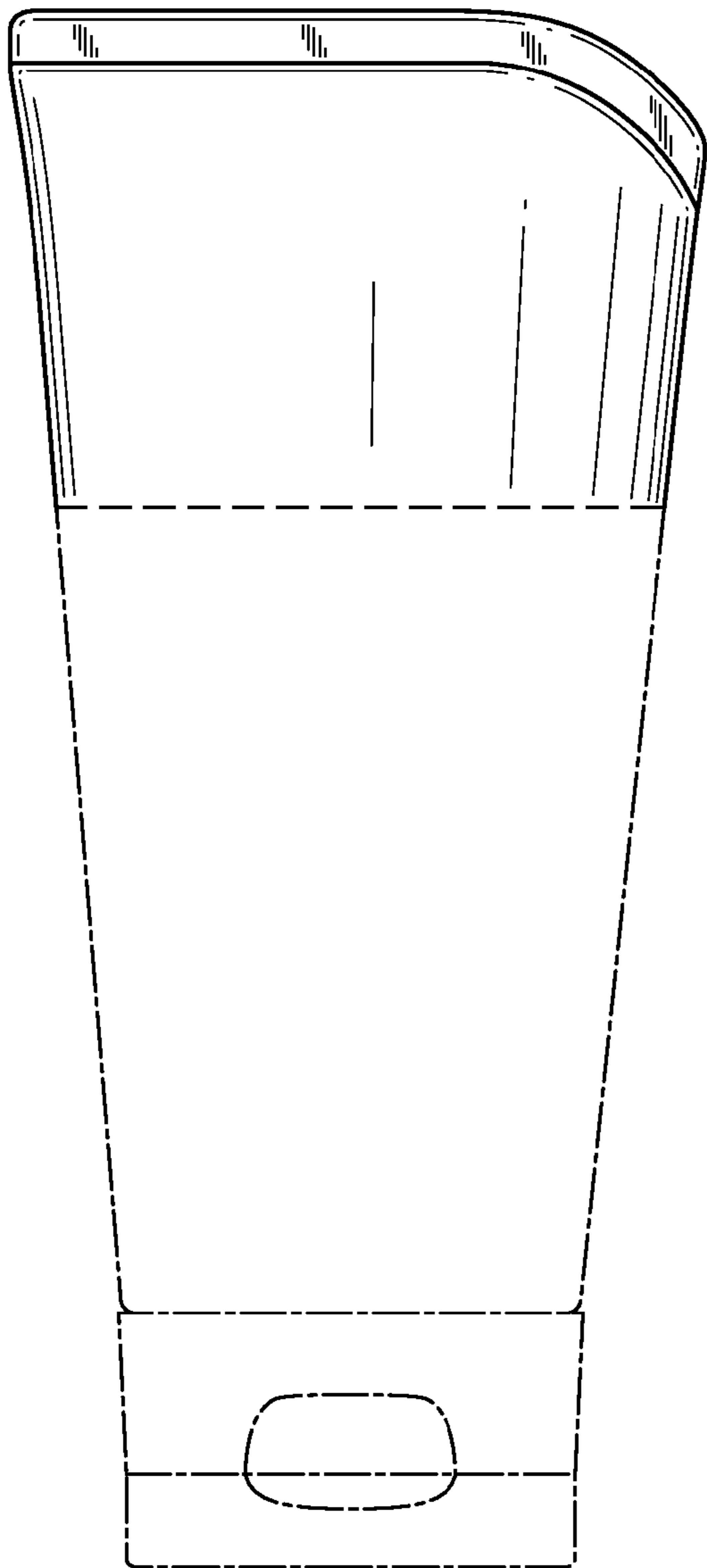
**1 Claim, 4 Drawing Sheets**



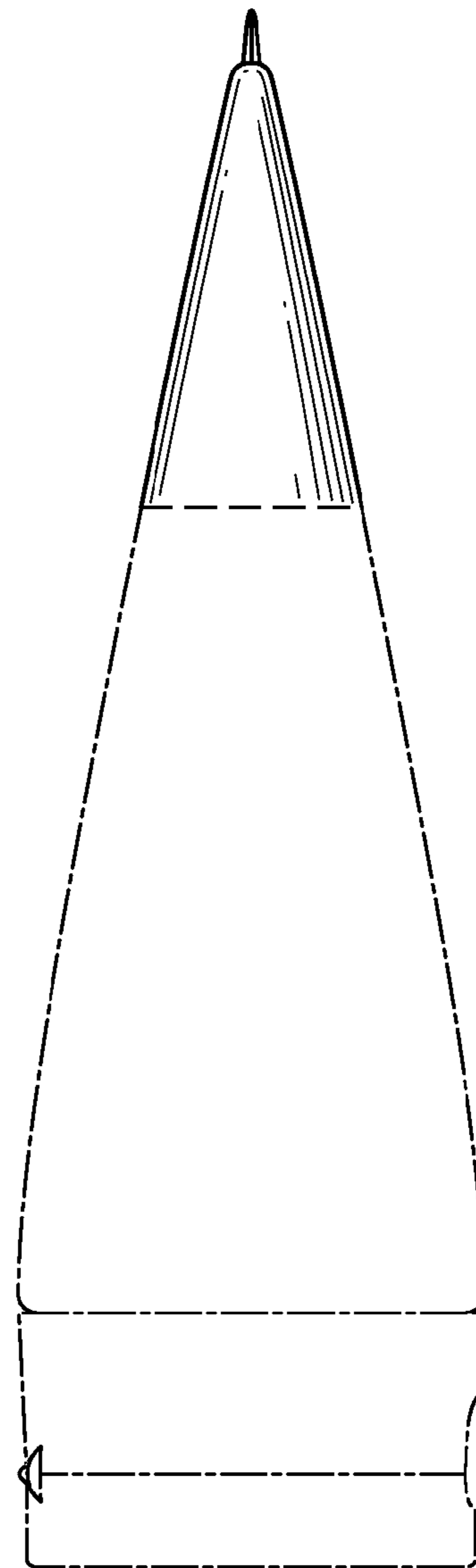
**FIG. 1**



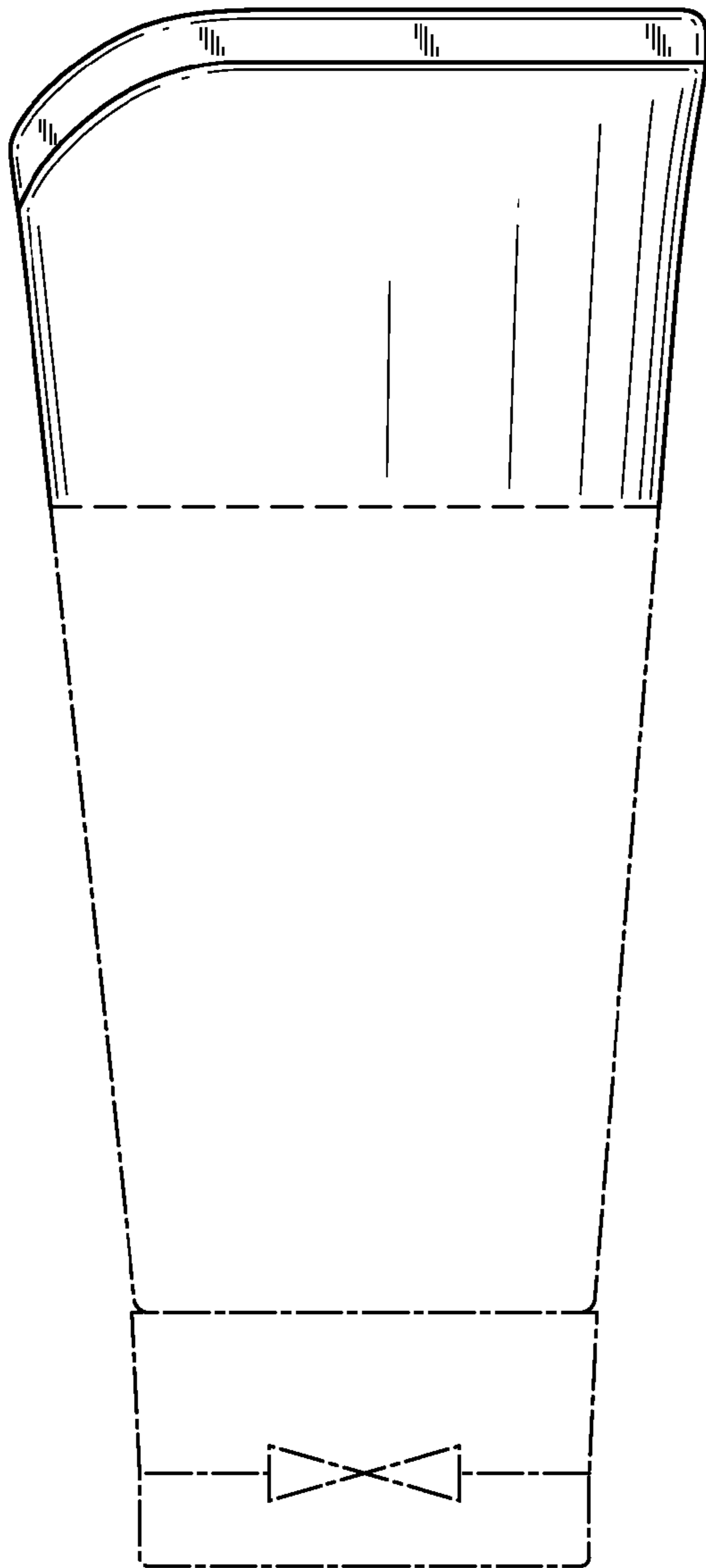
**FIG. 2**



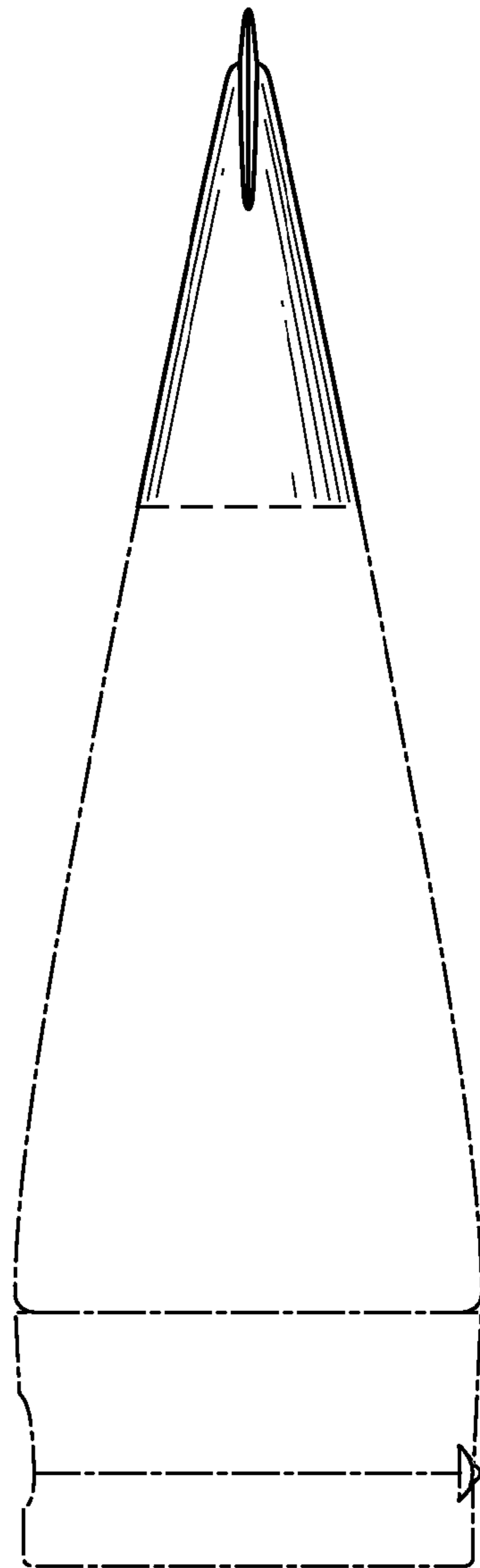
**FIG. 3**



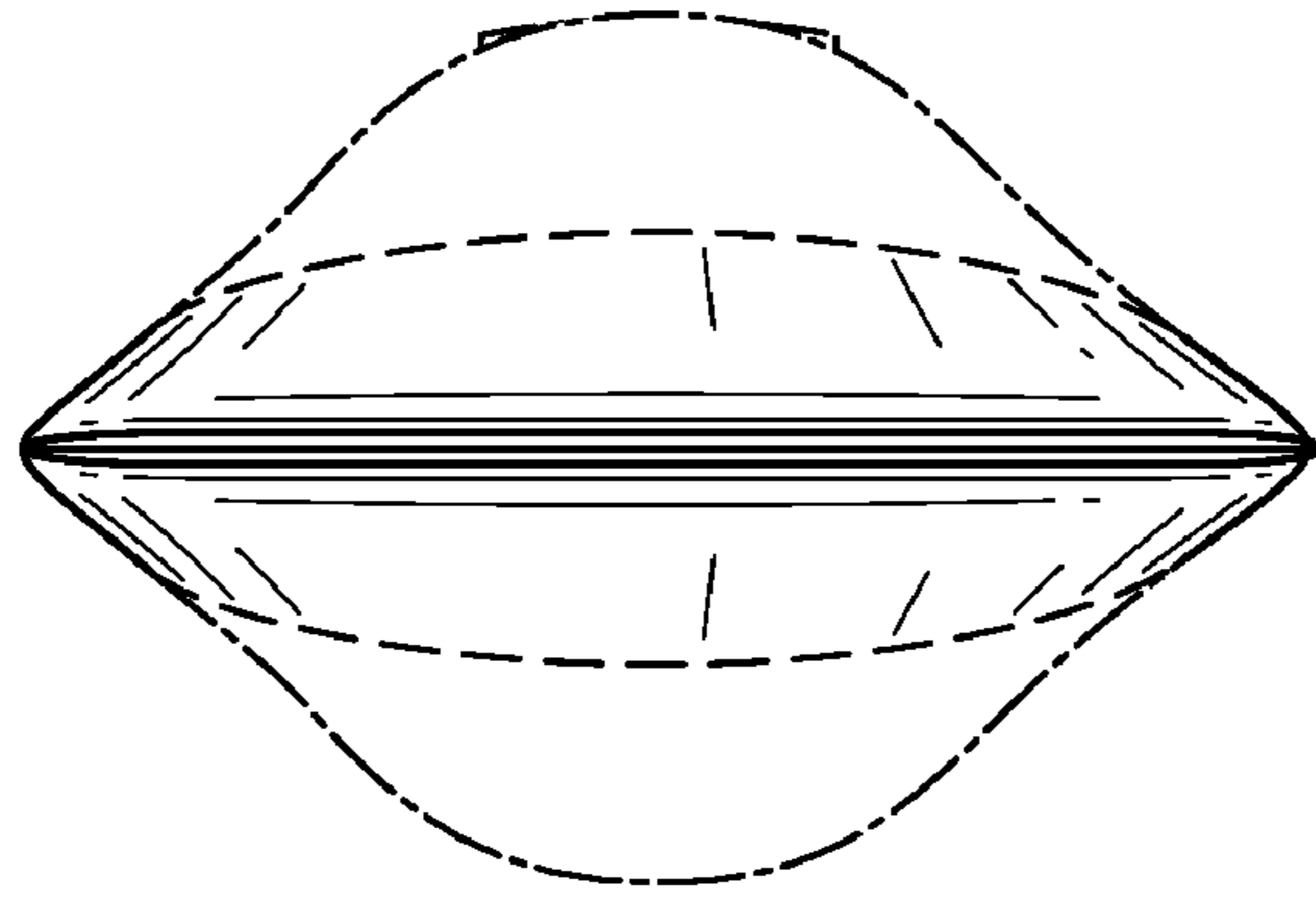
**FIG. 4**



**FIG. 5**



**FIG. 6**



**FIG. 7**

