



US00D601025S

(12) **United States Design Patent**  
**Rica**

(10) **Patent No.:** **US D601,025 S**

(45) **Date of Patent:** **\*\* Sep. 29, 2009**

(54) **BOTTLE**

(75) Inventor: **Didier Rica**, Le Mont Saint Adrien (FR)

(73) Assignee: **Saverglass Inc.**, Ramsey, NJ (US)

(\*\*) Term: **14 Years**

(21) Appl. No.: **29/330,533**

(22) Filed: **Jan. 8, 2009**

**Related U.S. Application Data**

(63) Continuation-in-part of application No. 29/324,603, filed on Sep. 16, 2008.

(51) **LOC (9) Cl.** ..... **09-01**

(52) **U.S. Cl.** ..... **D9/516**

(58) **Field of Classification Search** ..... D9/434,  
D9/435, 516, 520, 544, 545, 546, 560, 565,  
D9/571, 572, 573, 574; 215/381-385  
See application file for complete search history.

(56) **References Cited**

**U.S. PATENT DOCUMENTS**

D64,659 S *	5/1924	Daltroff	.....	D9/545
D107,966 S *	1/1938	McIntosh	.....	D9/544
D217,659 S *	5/1970	Dinand	.....	D9/574
D356,502 S *	3/1995	Poandl	.....	D9/520
D365,278 S *	12/1995	Paglina	.....	D9/544
D418,061 S *	12/1999	Starker	.....	D9/520
D522,872 S *	6/2006	Lascaux	.....	D9/544

D524,658 S *	7/2006	Varlet	.....	D9/544
D535,890 S *	1/2007	Herrmann	.....	D9/571
D536,259 S *	2/2007	Herrmann	.....	D9/573
D537,725 S *	3/2007	Varlet	.....	D9/544
D544,362 S *	6/2007	Rica	.....	D9/544
D545,206 S *	6/2007	Brown et al.	.....	D9/544
D548,606 S *	8/2007	Rica	.....	D9/544
D559,696 S *	1/2008	Didier	.....	D9/544
D589,355 S *	3/2009	Rica	.....	D9/546

\* cited by examiner

*Primary Examiner*—Prabhakar Deshmukh

*Assistant Examiner*—Elizabeth J Oswecki

(74) *Attorney, Agent, or Firm*—Banner & Witcoff, Ltd.

(57) **CLAIM**

The ornamental design for a bottle, as shown and described.

**DESCRIPTION**

FIG. 1 is a perspective front view of a bottle showing my new design;

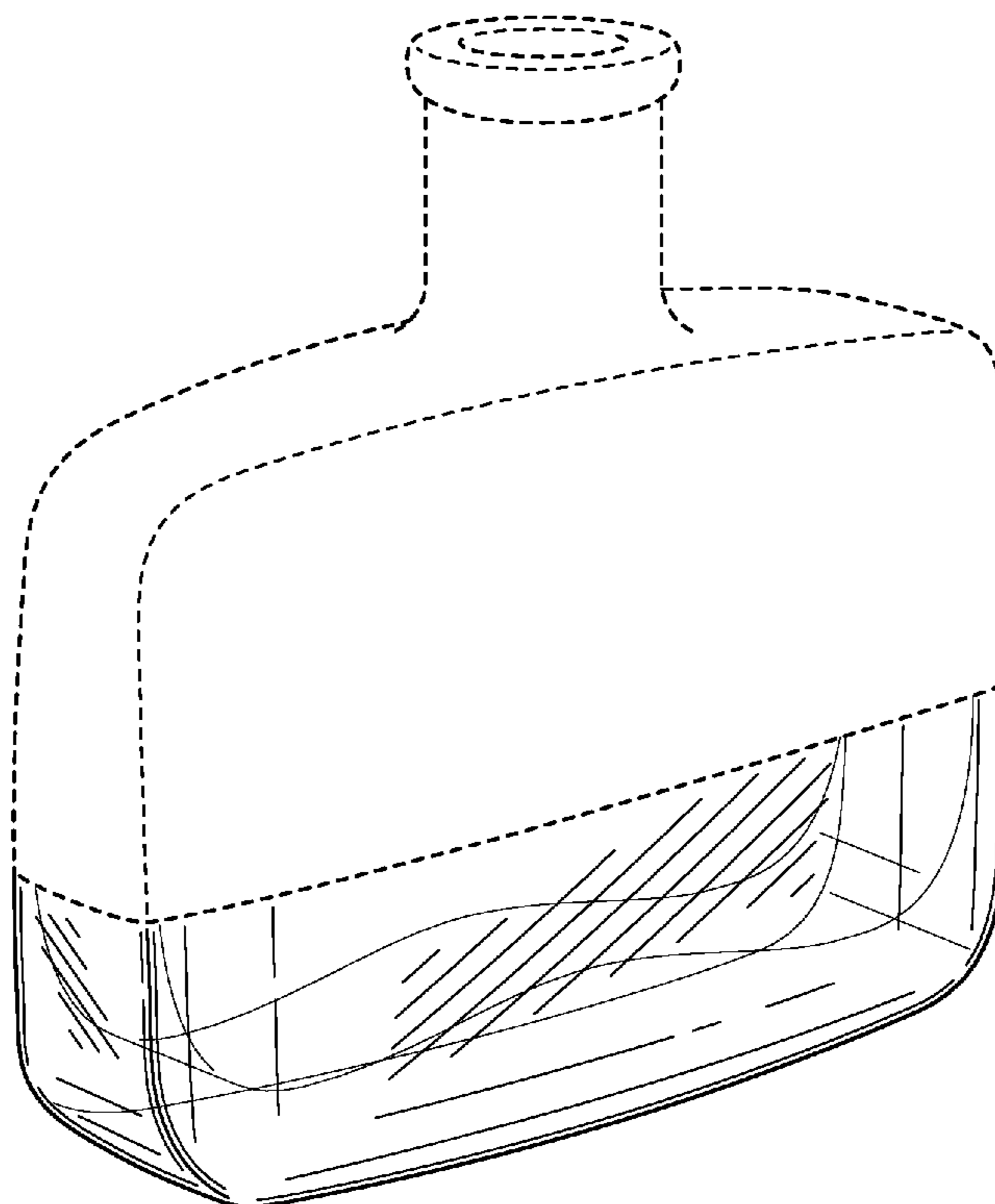
FIG. 2 is a front view thereof, the rear view being a mirror image thereof;

FIG. 3 is a left side view thereof, the right side view being a mirror image thereof; and,

FIG. 4 is a bottom view thereof.

The broken line showing of the remainder of the bottle is for environmental purposes only and forms no part of the claimed design.

**1 Claim, 3 Drawing Sheets**



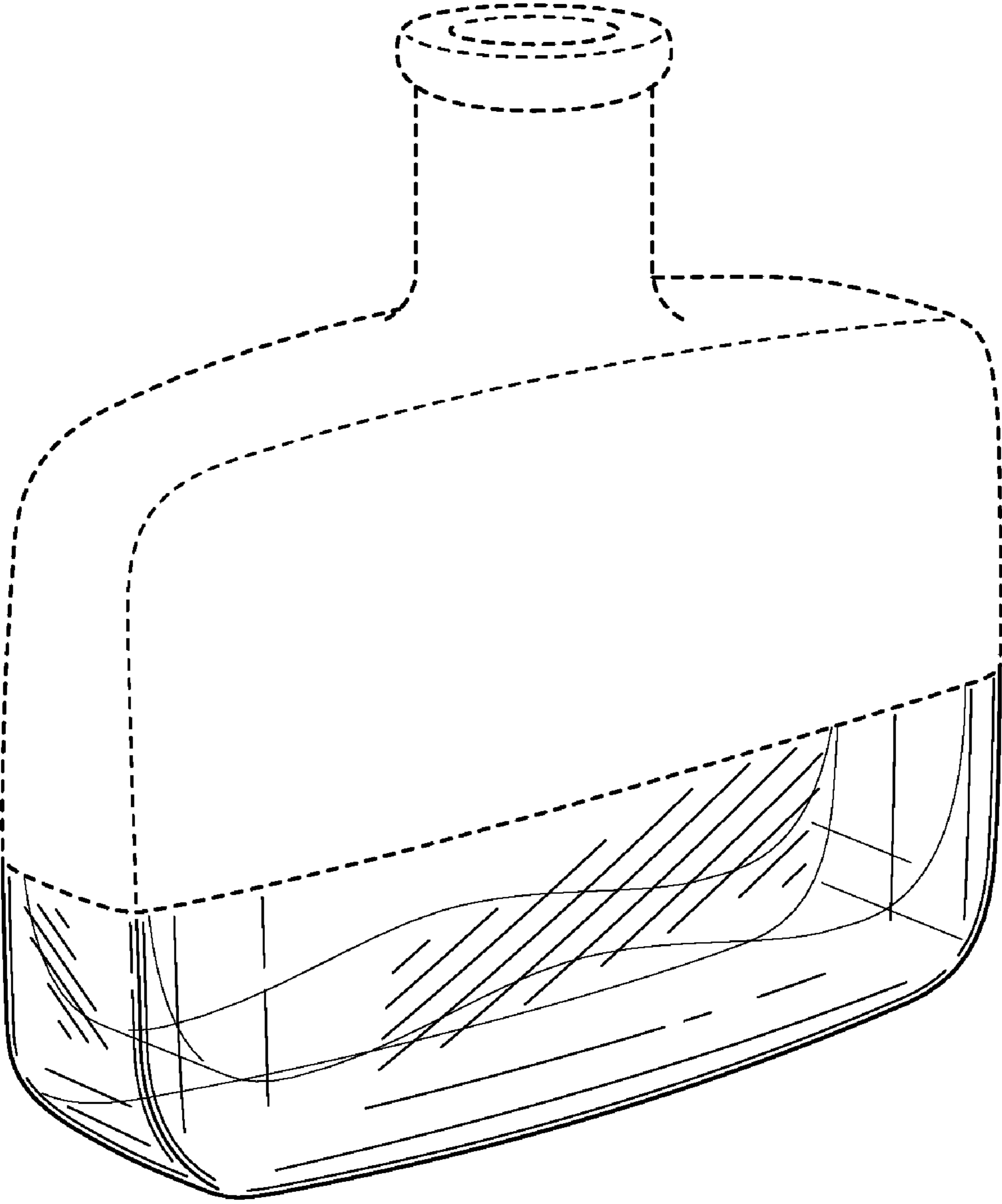


FIG. 1

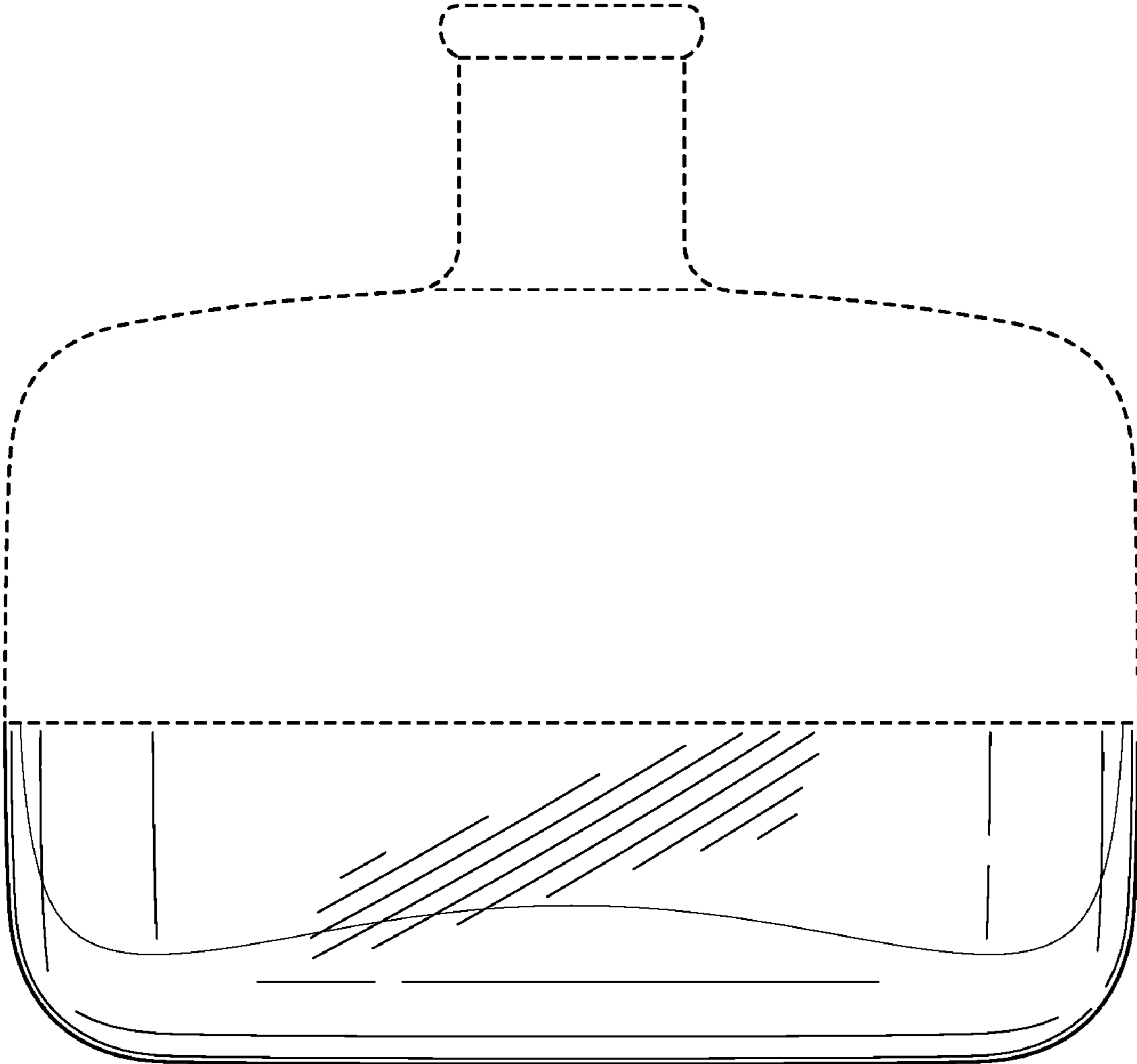


FIG. 2

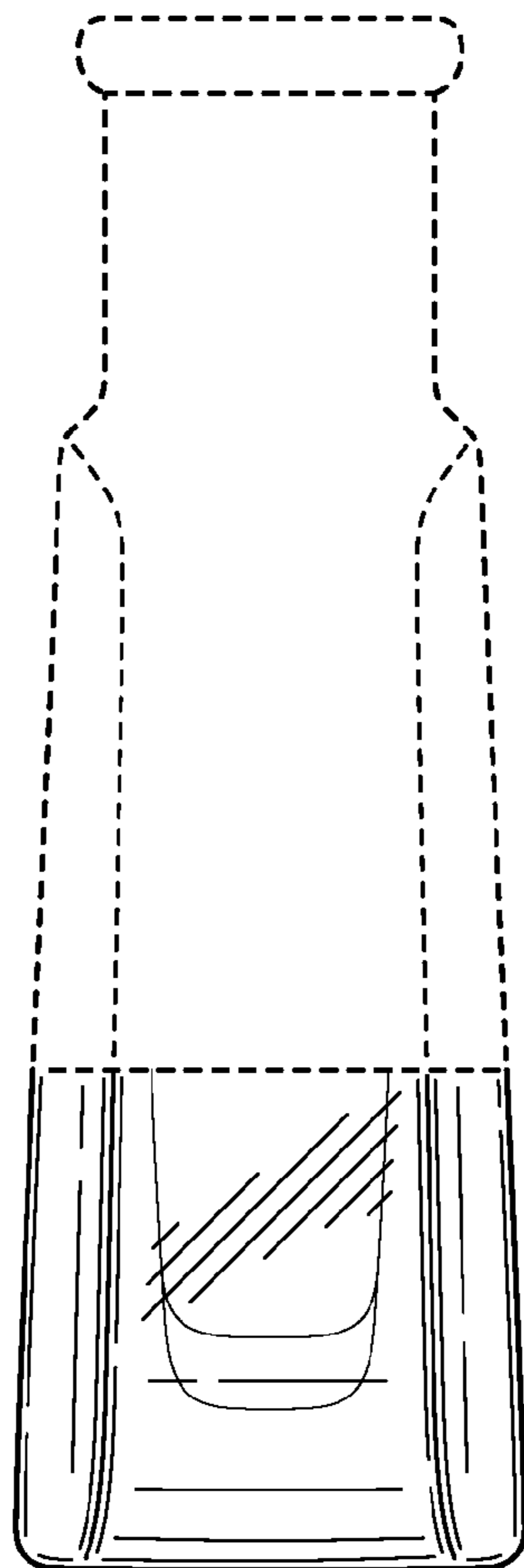


FIG. 3

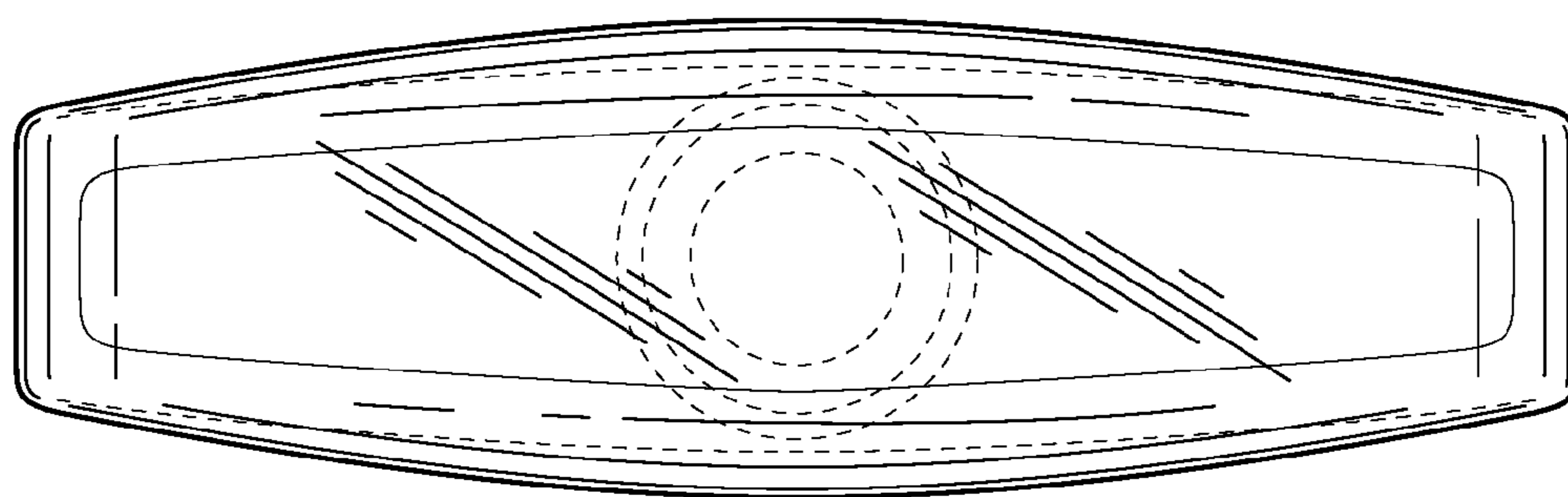


FIG. 4