



US00D601024S

(12) **United States Design Patent**
Rica

(10) **Patent No.:** **US D601,024 S**

(45) **Date of Patent:** **** Sep. 29, 2009**

(54) **OUTER SURFACE FOR A BOTTLE**

(75) Inventor: **Didier Rica**, Le Mont Saint Adrien (FR)

(73) Assignee: **Saverglass Inc.**, Ramsey, NJ (US)

(**) Term: **14 Years**

(21) Appl. No.: **29/324,608**

(22) Filed: **Sep. 16, 2008**

(51) **LOC (9) Cl.** **09-01**

(52) **U.S. Cl.** **D9/516**

(58) **Field of Classification Search** D9/516,
D9/544, 545, 546, 560, 572, 573, 574, 434,
D9/435; 215/381-385

See application file for complete search history.

(56) **References Cited**

U.S. PATENT DOCUMENTS

D41,238 S *	3/1911	Brawner	D9/544
D60,472 S *	2/1922	Smith	D9/573
D98,270 S *	1/1936	McIntosh	D9/544
D259,098 S *	5/1981	Lauren	D9/558
D286,139 S *	10/1986	O'Reilly	D9/520
D365,278 S *	12/1995	Paglina	D9/544
D524,658 S *	7/2006	Varlet	D9/544
D537,725 S *	3/2007	Varlet	D9/544
D544,362 S *	6/2007	Rica	D9/544
D545,206 S *	6/2007	Brown et al.	D9/544
D548,606 S *	8/2007	Rica	D9/544
D559,696 S *	1/2008	Didier	D9/544
D559,697 S *	1/2008	Didier	D9/544
D562,143 S *	2/2008	Didier	D9/544
D581,271 S *	11/2008	Laupie	D9/500
D589,355 S *	3/2009	Rica	D9/546

FOREIGN PATENT DOCUMENTS

FR 000800222-0005 10/2007

OTHER PUBLICATIONS

Co-pending U.S. Appl. No. 29/301,066, filed Feb. 6, 2008.

* cited by examiner

Primary Examiner—Prabhakar Deshmukh

Assistant Examiner—Elizabeth J Oswecki

(74) *Attorney, Agent, or Firm*—Banner & Witcoff, Ltd.

(57) **CLAIM**

The ornamental design for an outer surface of a bottle, as shown and described.

DESCRIPTION

FIG. 1 is a perspective view of an outer surface of a bottle showing my new design;

FIG. 2 is a front elevational view thereof;

FIG. 3 is a right side elevational view thereof;

FIG. 4 is a left side elevational view thereof;

FIG. 5 is a top plan view thereof;

FIG. 6 is a bottom plan view thereof;

FIG. 7 is a rear elevational view thereof;

FIG. 8 is a perspective view of an outer surface of a bottle showing a second embodiment of my new design;

FIG. 9 is a front elevational view thereof;

FIG. 10 is a right side elevational view thereof;

FIG. 11 is a left side elevational view thereof;

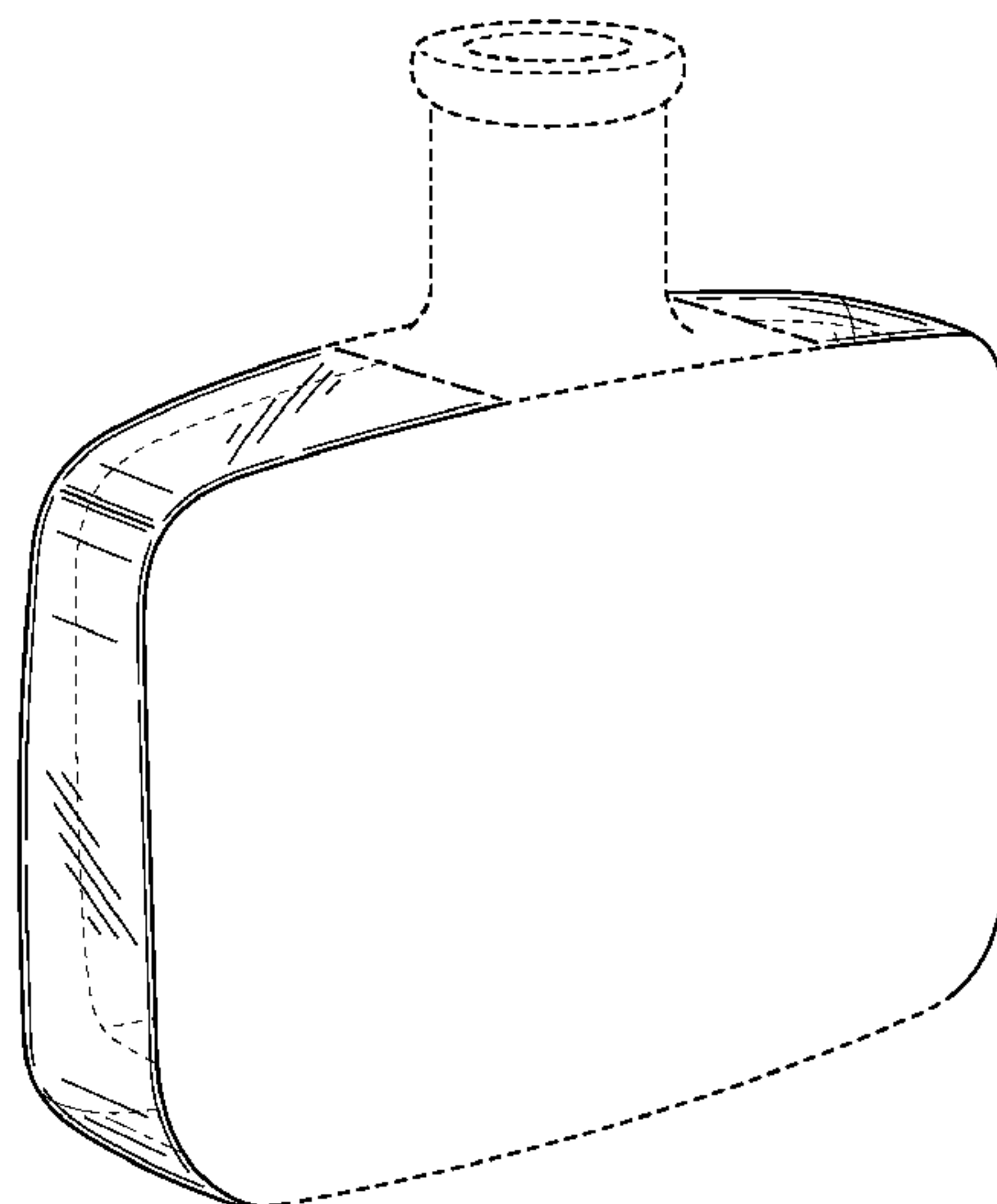
FIG. 12 is a top plan view thereof;

FIG. 13 is a bottom plan view thereof; and,

FIG. 14 is a rear elevational view thereof.

The uneven broken lines immediately adjacent to the shaded areas on the top and bottom of the bottle represent unclaimed boundaries of the design. The even broken line showing of the remainder of the bottle is for illustrative purposes only and forms no part of the claimed design.

1 Claim, 10 Drawing Sheets



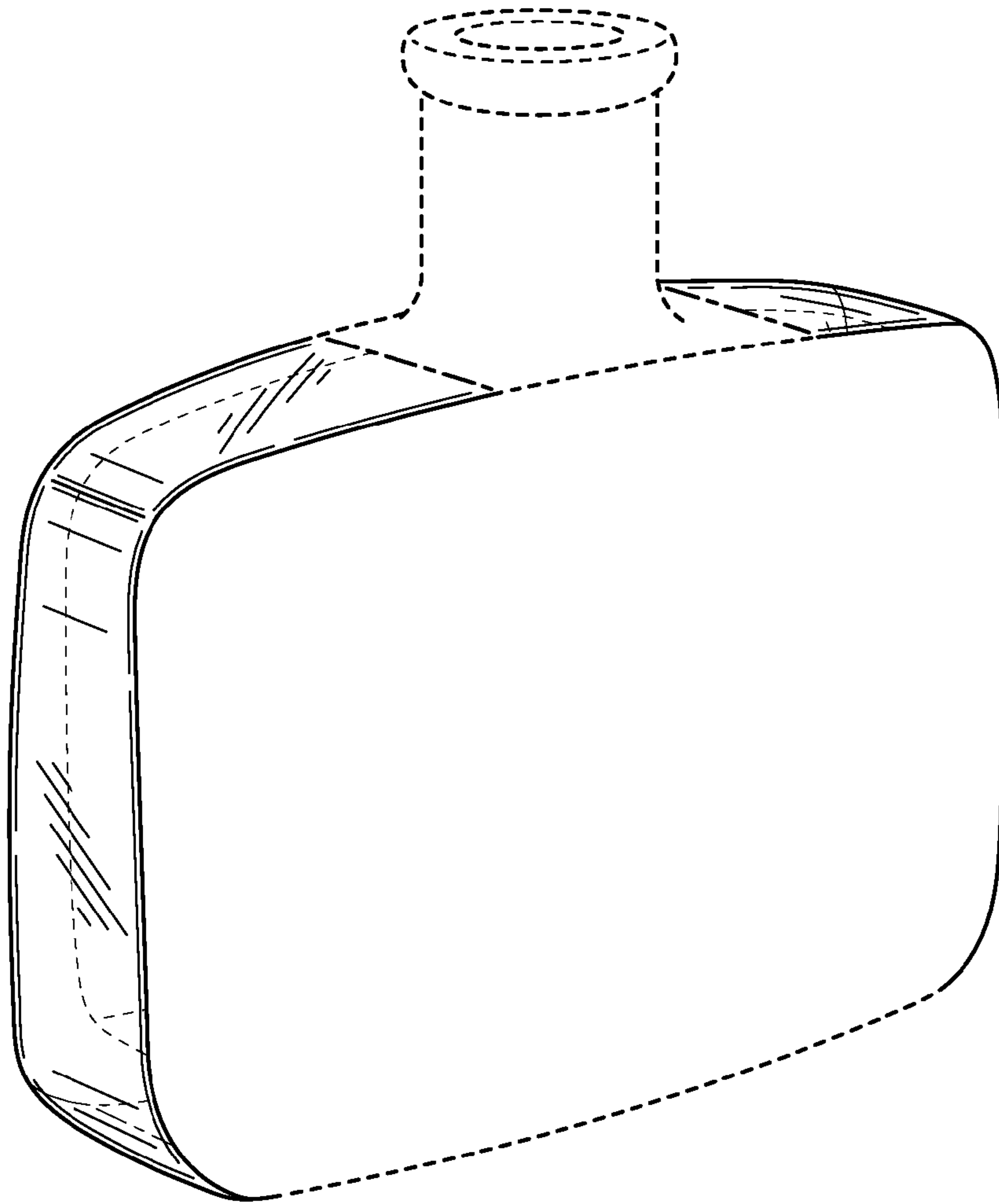


FIG. 1

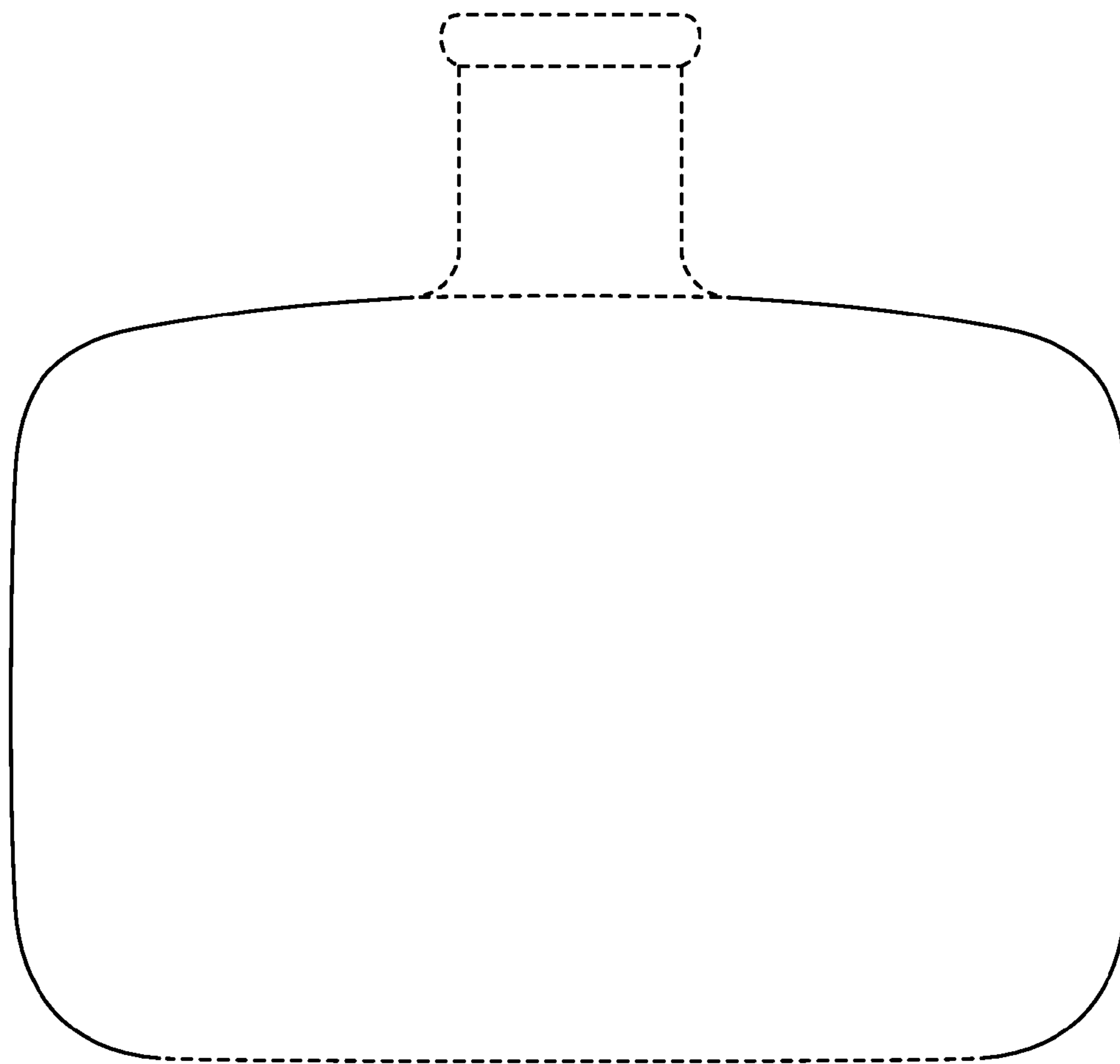


FIG. 2

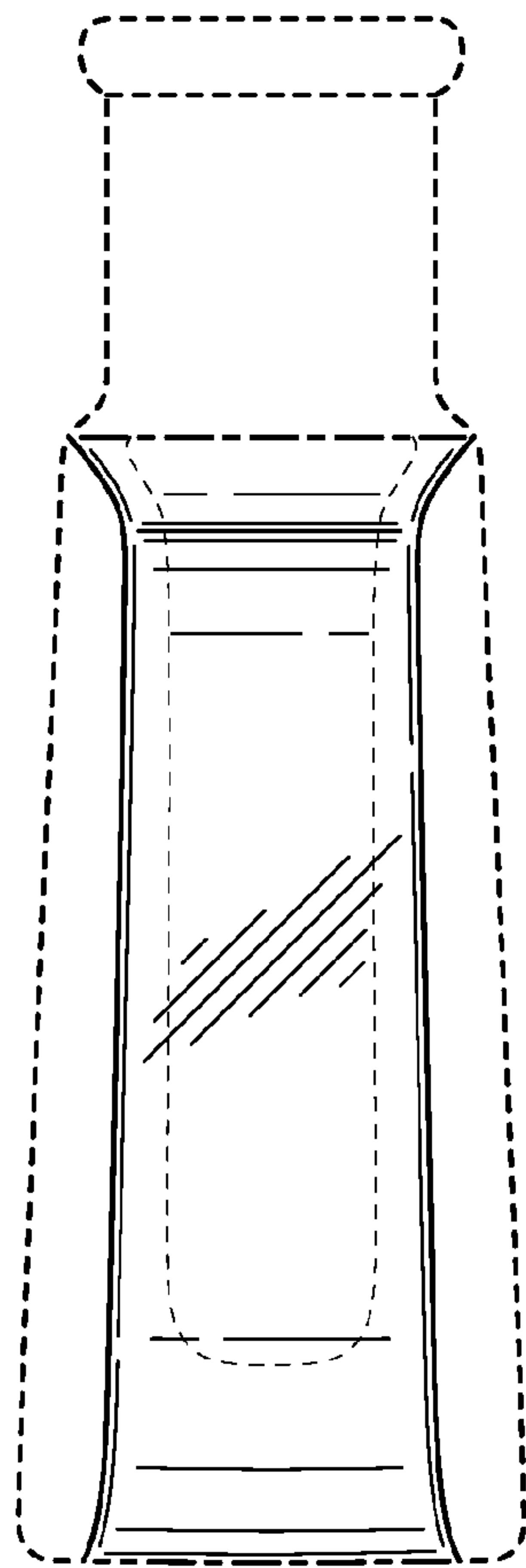


FIG. 3

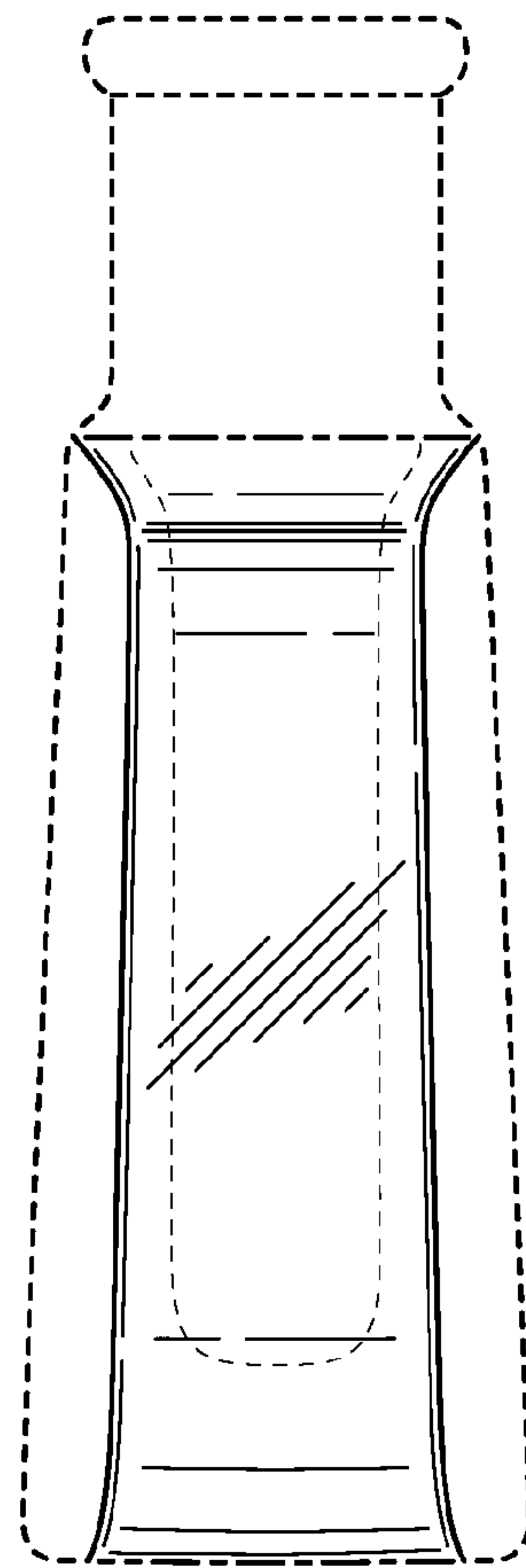


FIG. 4

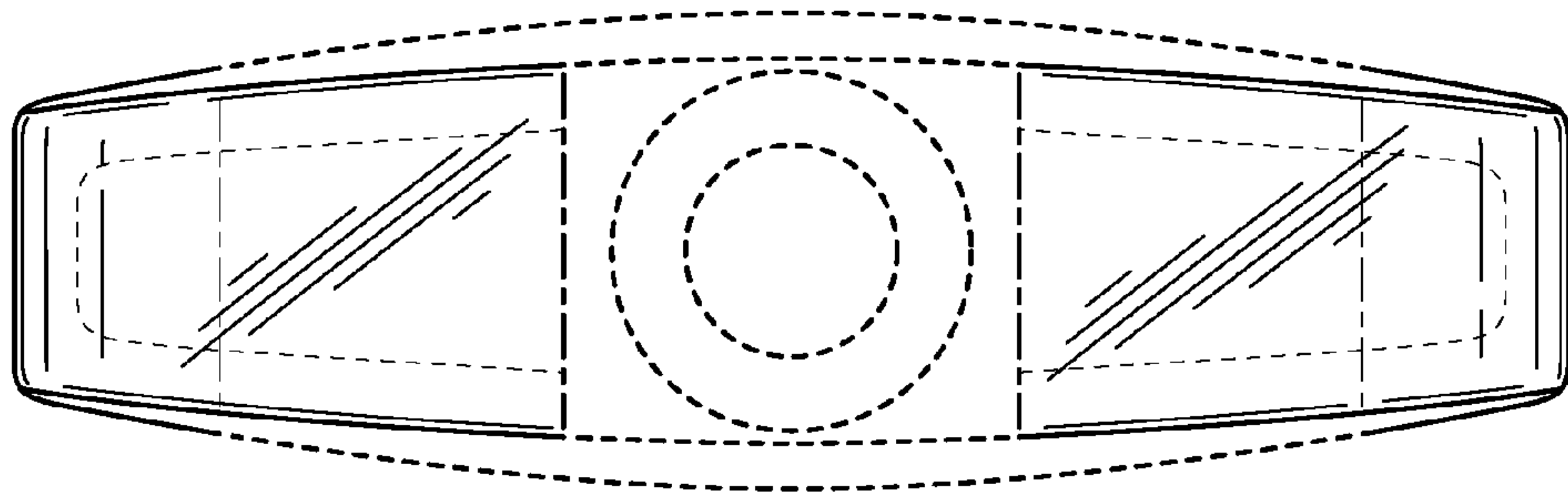


FIG. 5

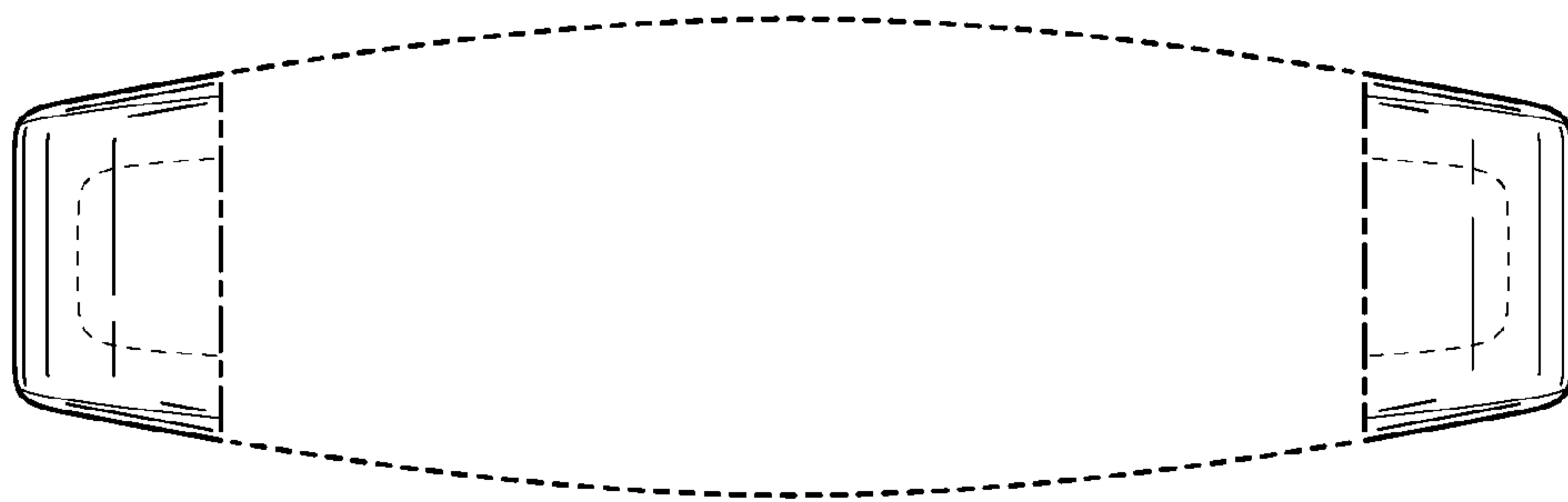


FIG. 6

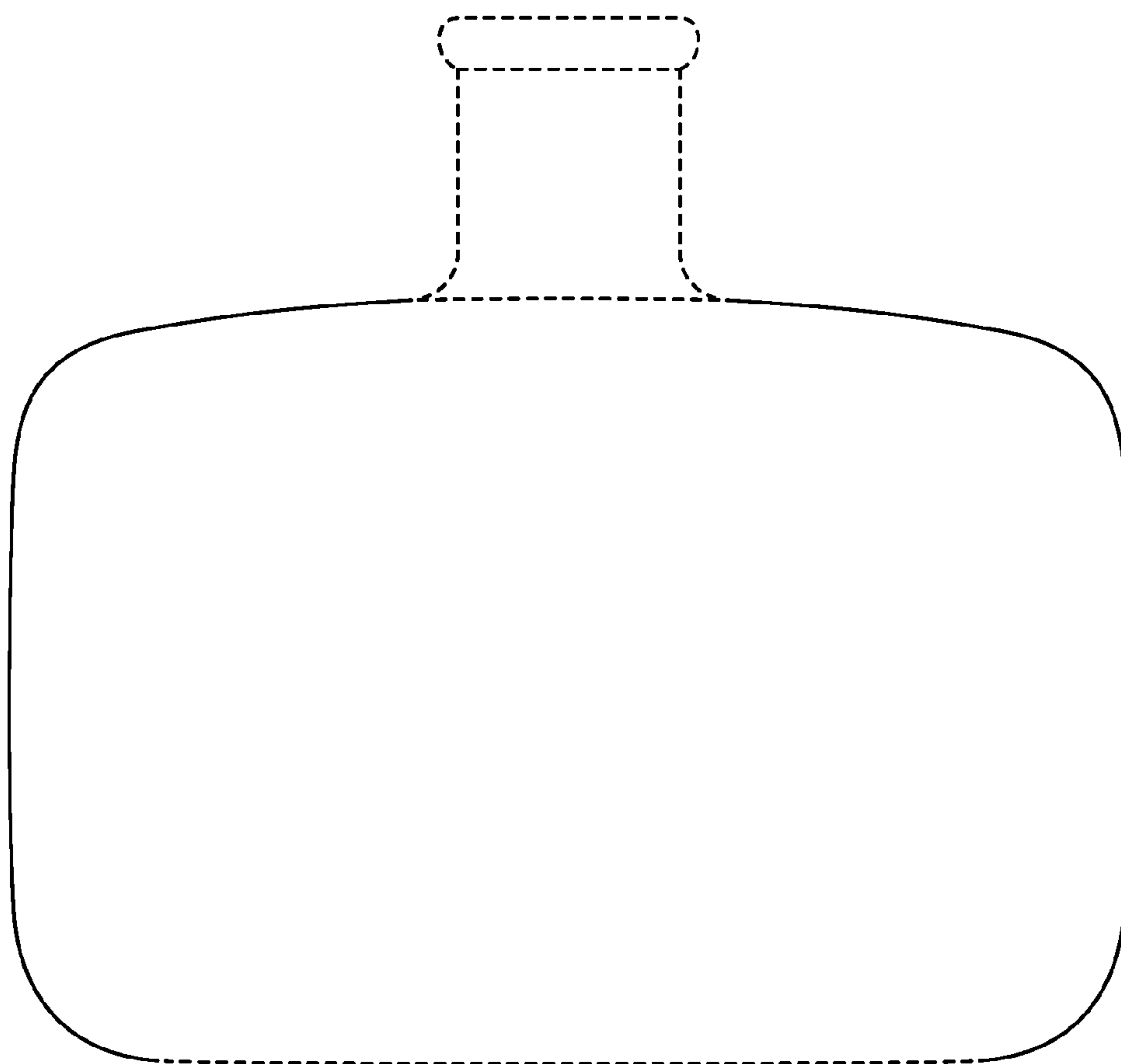


FIG. 7

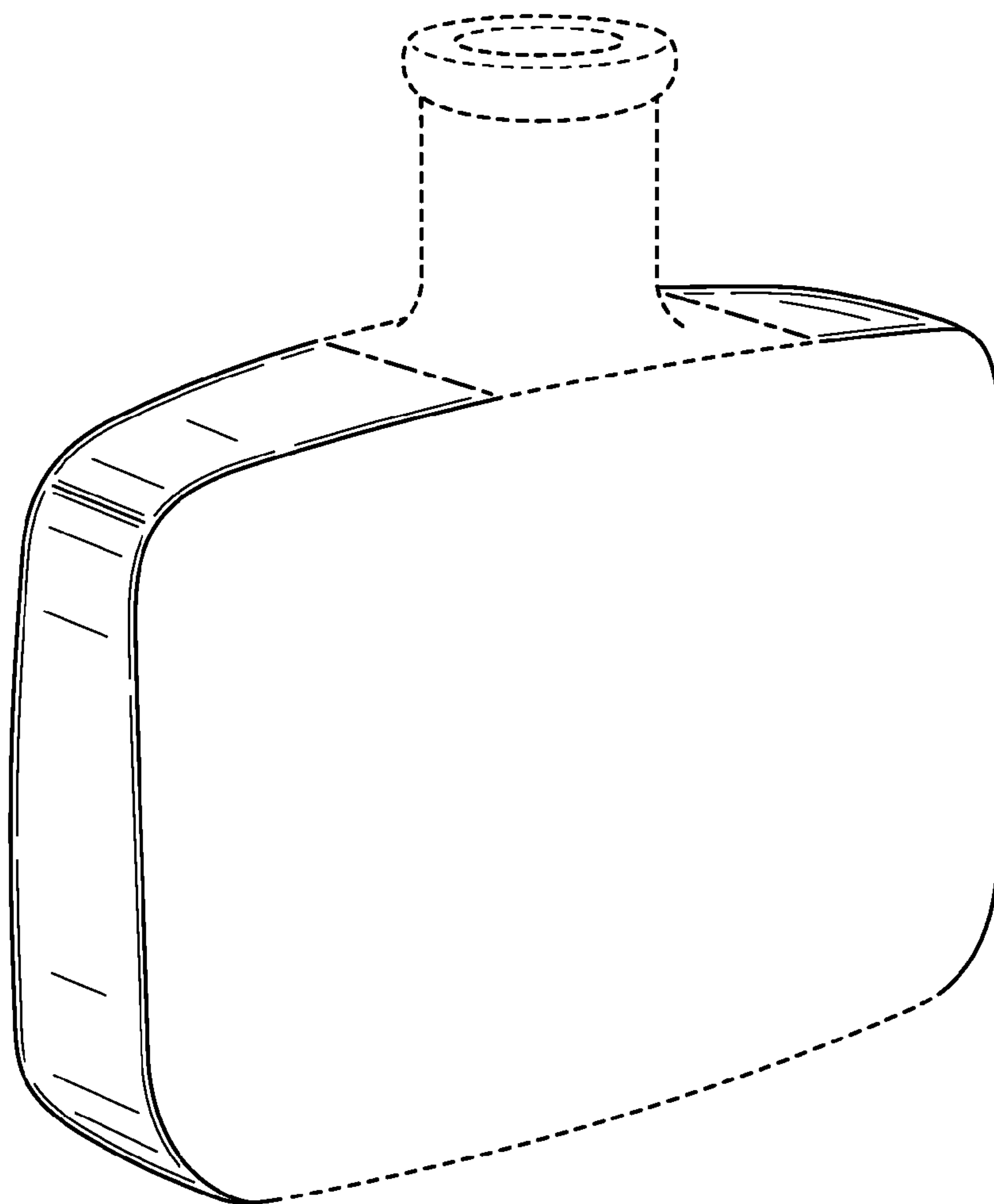


FIG. 8

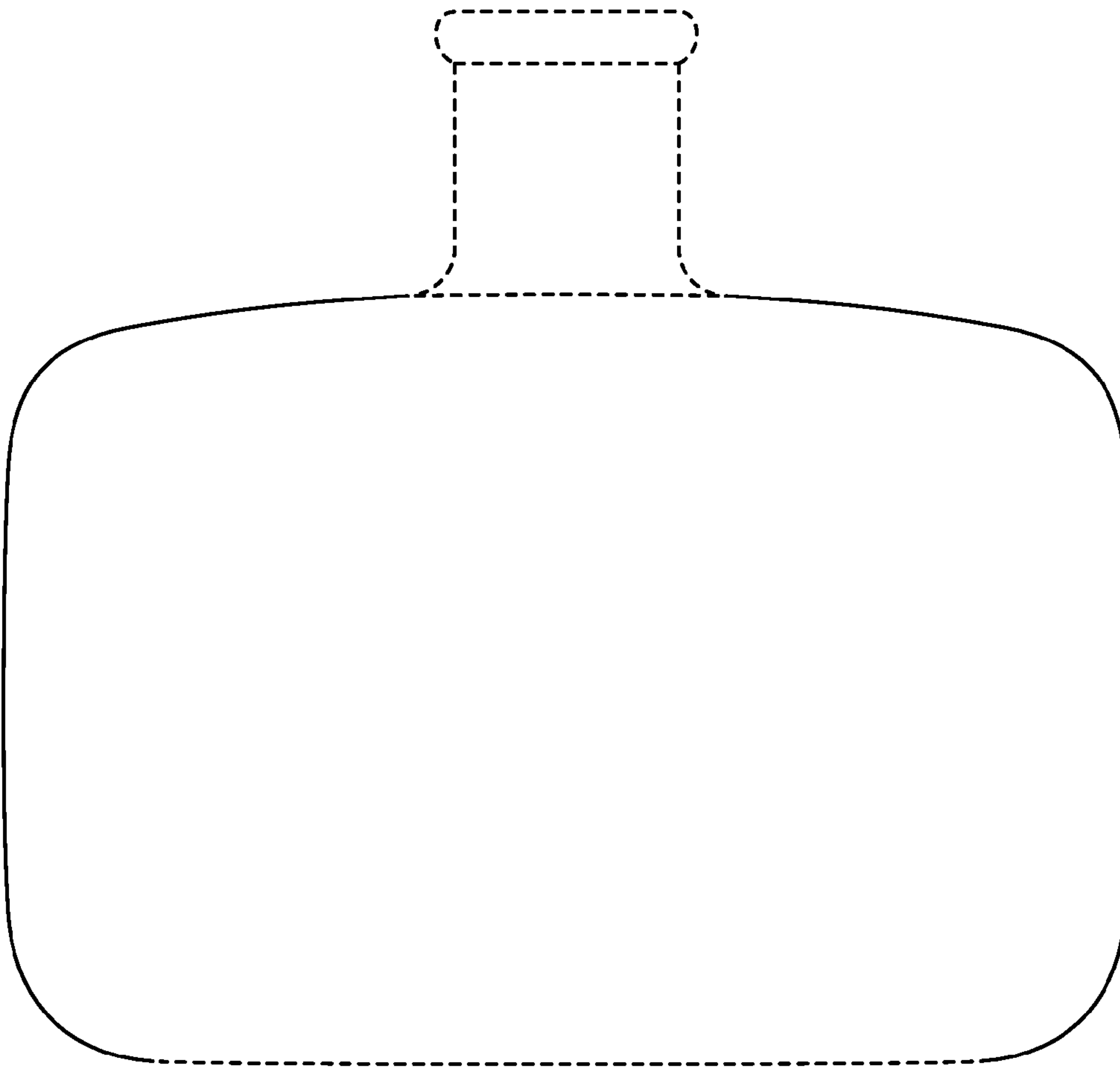


FIG. 9

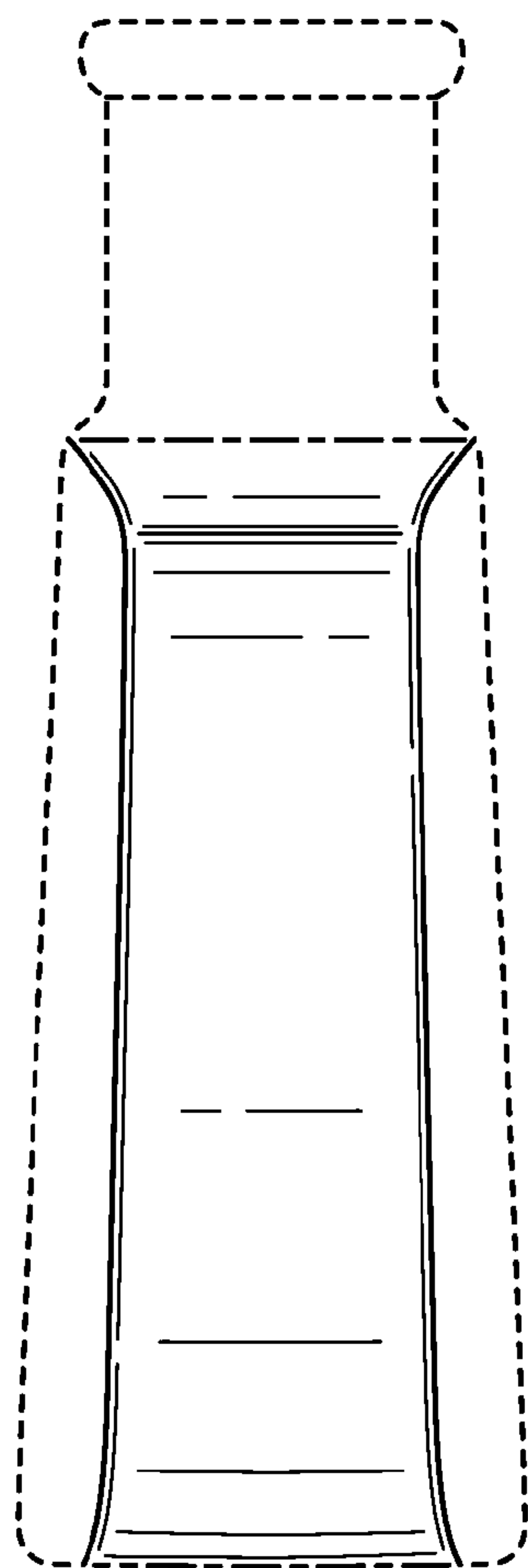


FIG. 10

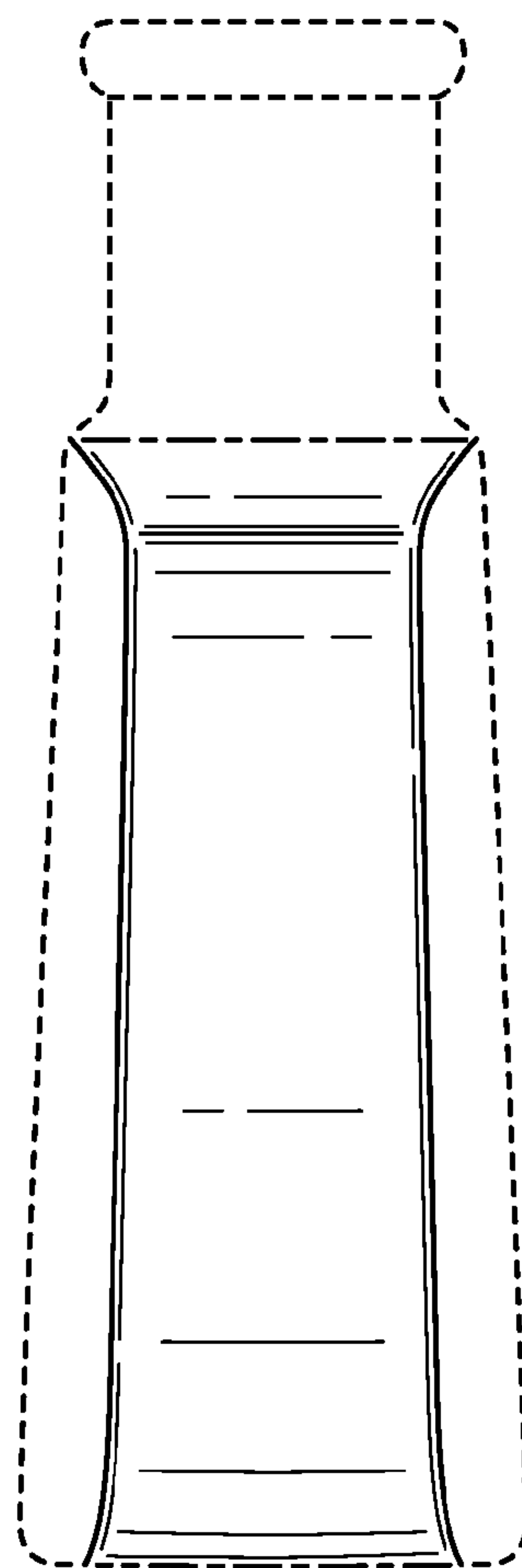


FIG. 11

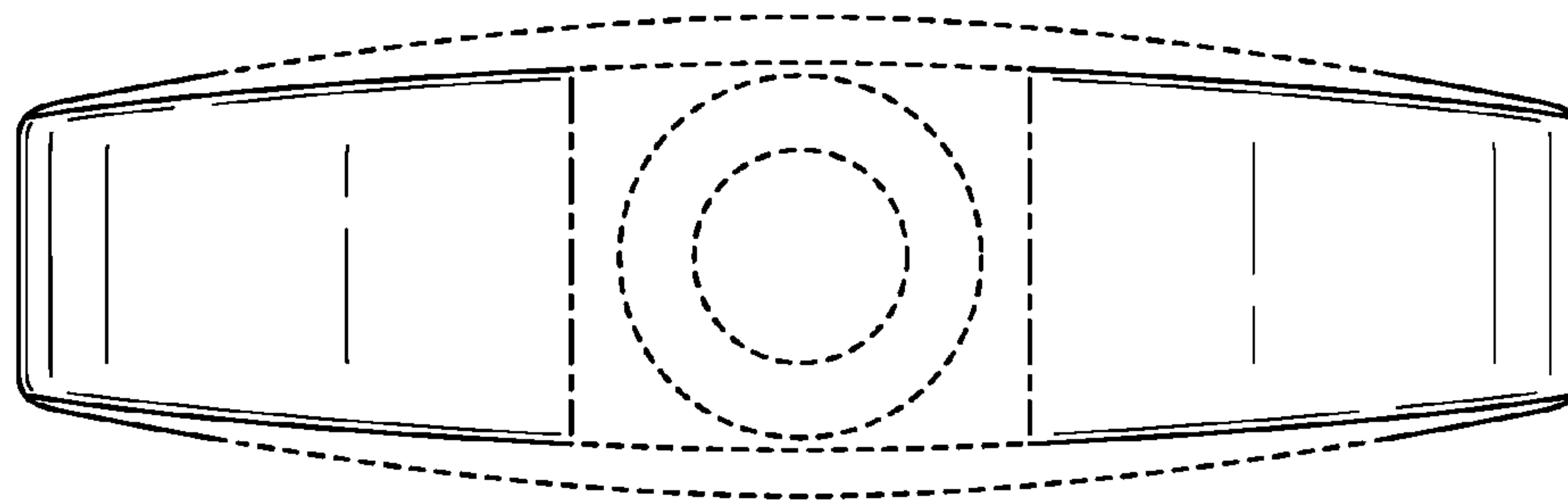


FIG. 12

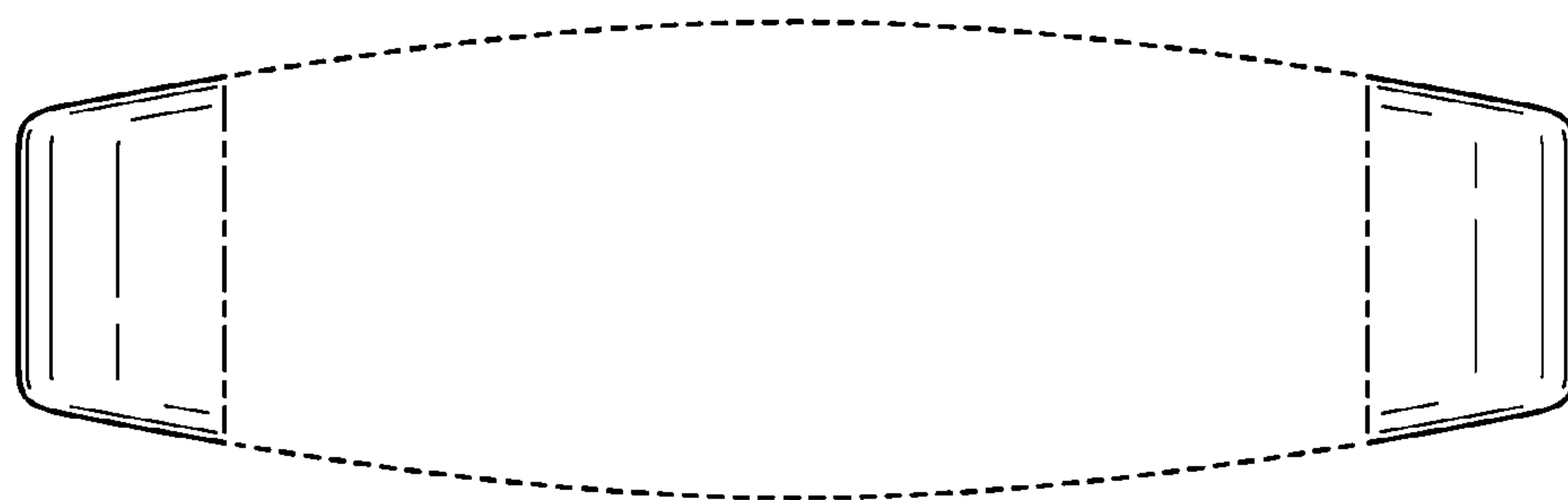


FIG. 13

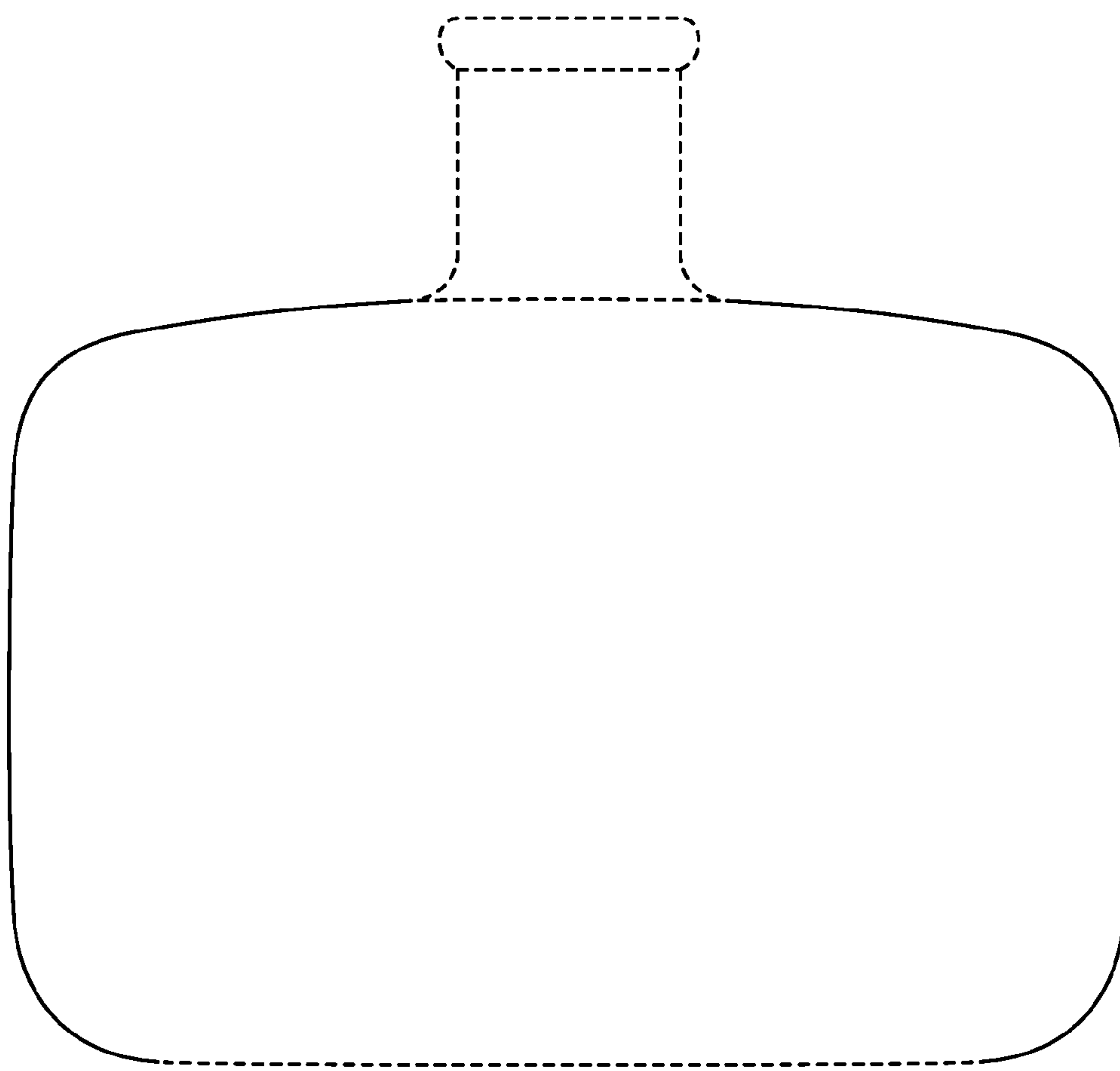


FIG. 14