



US00D601019S

(12) **United States Design Patent**
Zupan

(10) **Patent No.:** **US D601,019 S**

(45) **Date of Patent:** **** Sep. 29, 2009**

(54) **CLOSURE**

(75) Inventor: **Bernd Zupan**, Freyung (DE)

(73) Assignee: **Seaquist-Loeffler Kunststoffwerk GmbH**, Freyung (DE)

(**) Term: **14 Years**

(21) Appl. No.: **29/294,515**

(22) Filed: **Jan. 15, 2008**

(30) **Foreign Application Priority Data**

Jul. 16, 2007 (EM) 000758727

(51) **LOC (9) Cl.** **09-07**

(52) **U.S. Cl.** **D9/449; D9/454**

(58) **Field of Classification Search** D9/716,
D9/715, 454, 453, 452, 450, 449, 447, 446,
D9/443, 438, 436, 435, 434; D7/643, 638,
D7/505, 396.2, 392, 392.1, 305; 426/120;
229/404, 401; 222/556, 480; 220/810, 713,
220/375, 254.1–254.9; 215/236, 235; 206/807
See application file for complete search history.

(56) **References Cited**

U.S. PATENT DOCUMENTS

D292,889 S * 11/1987 Ostrowsky D9/449

D320,939 S * 10/1991 Hofmann et al. D9/447
D363,222 S * 10/1995 Lay D9/447
D468,639 S * 1/2003 Wennerstrom et al. D9/449
D476,892 S * 7/2003 Martin et al. D9/449
D516,425 S * 3/2006 Haffner et al. D9/449
D581,788 S * 12/2008 Van Well D9/448

* cited by examiner

Primary Examiner—Susan Bennett Hattan

(74) *Attorney, Agent, or Firm*—Wood, Phillips, Katz, Clark & Mortimer

(57) **CLAIM**

The ornamental design for a closure, as shown and described.

DESCRIPTION

FIG. 1 is a front isometric view of a closure showing my new design with the closure in the closed condition;

FIG. 2 is a right side elevational view thereof;

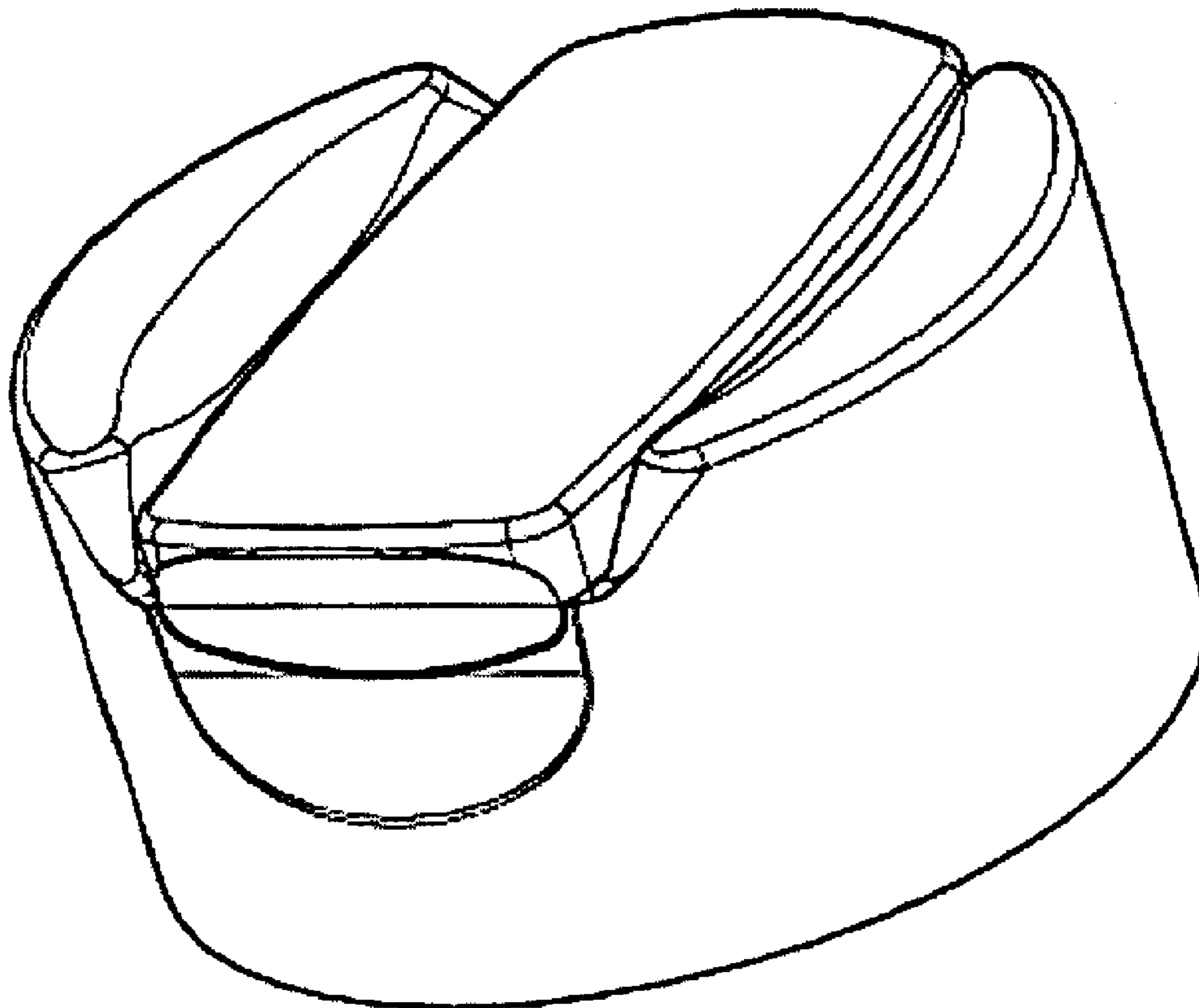
FIG. 3 is a front elevational view thereof;

FIG. 4 is a left side elevational view thereof;

FIG. 5 is a rear elevational view thereof; and,

FIG. 6 is a top view thereof.

1 Claim, 6 Drawing Sheets



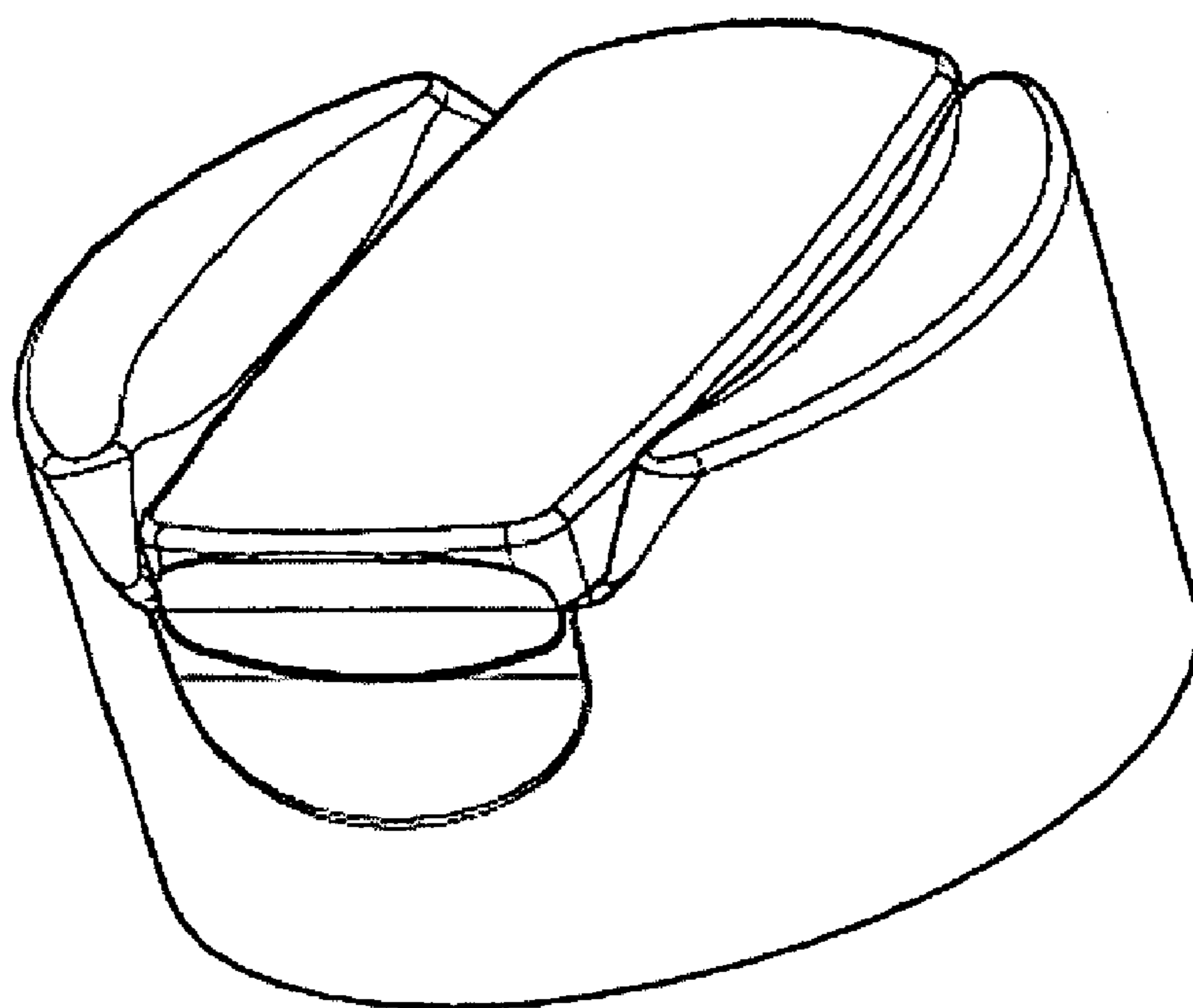


Fig. 1

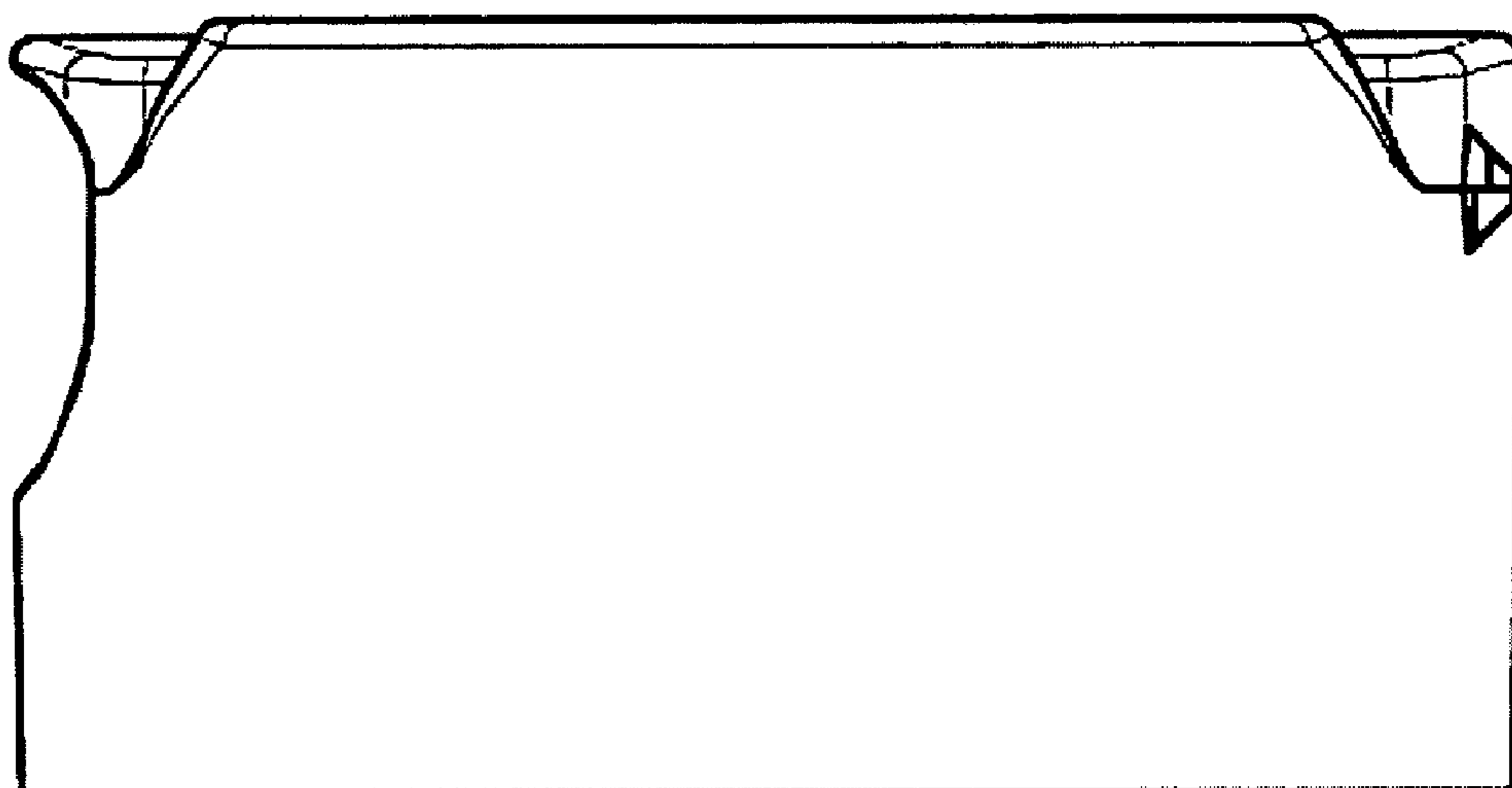


Fig. 2

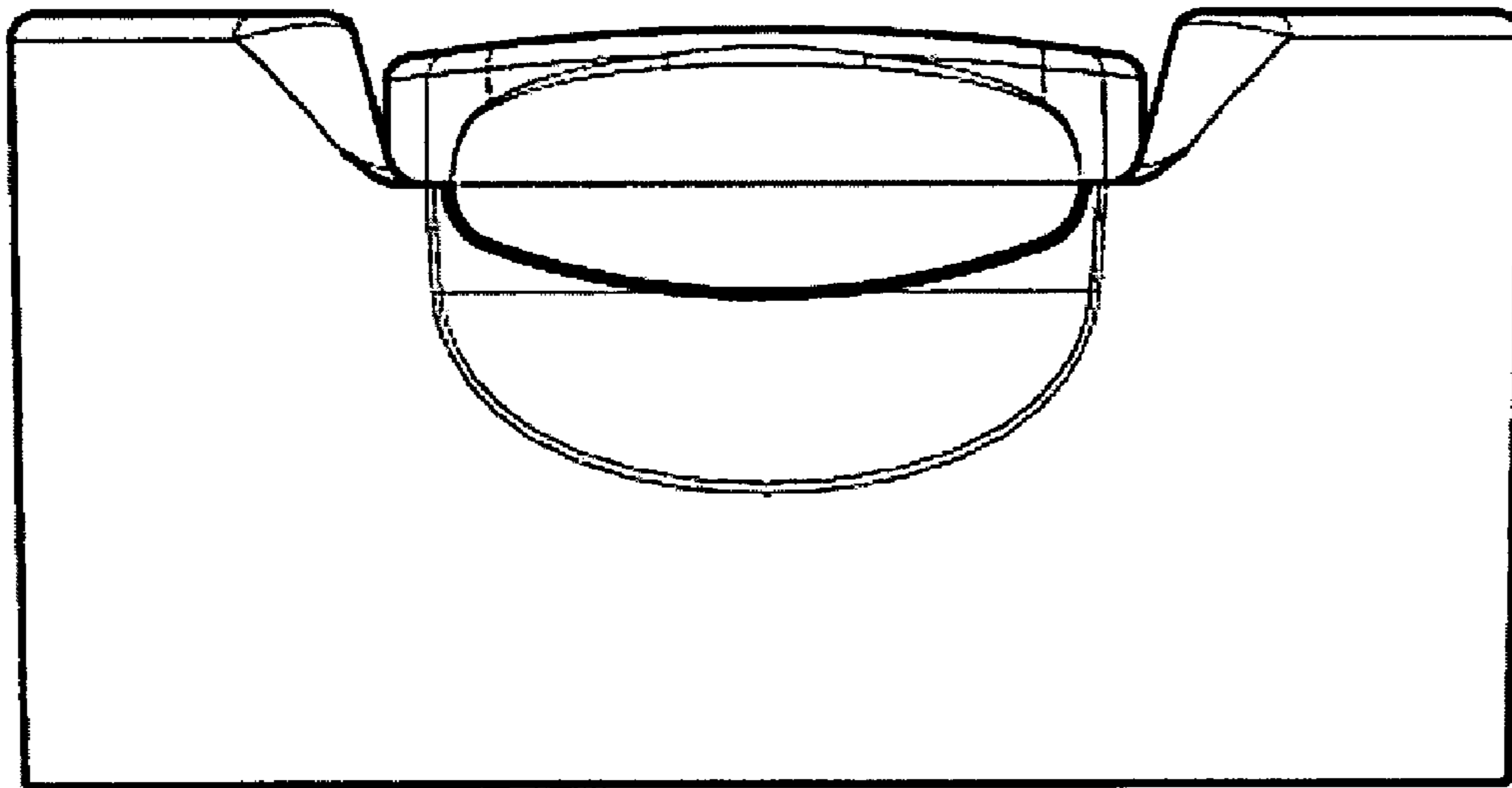


Fig. 3

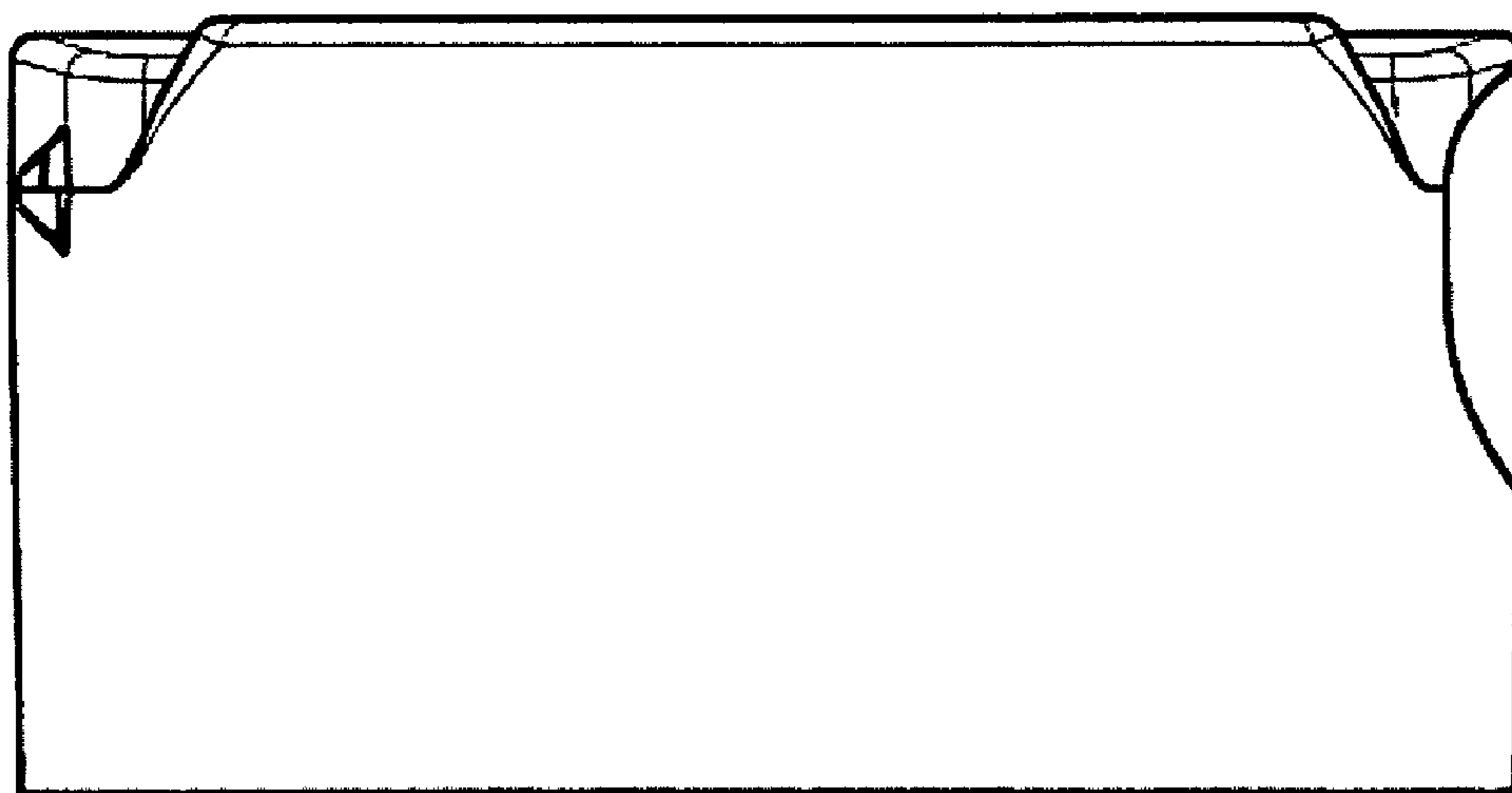


Fig. 4

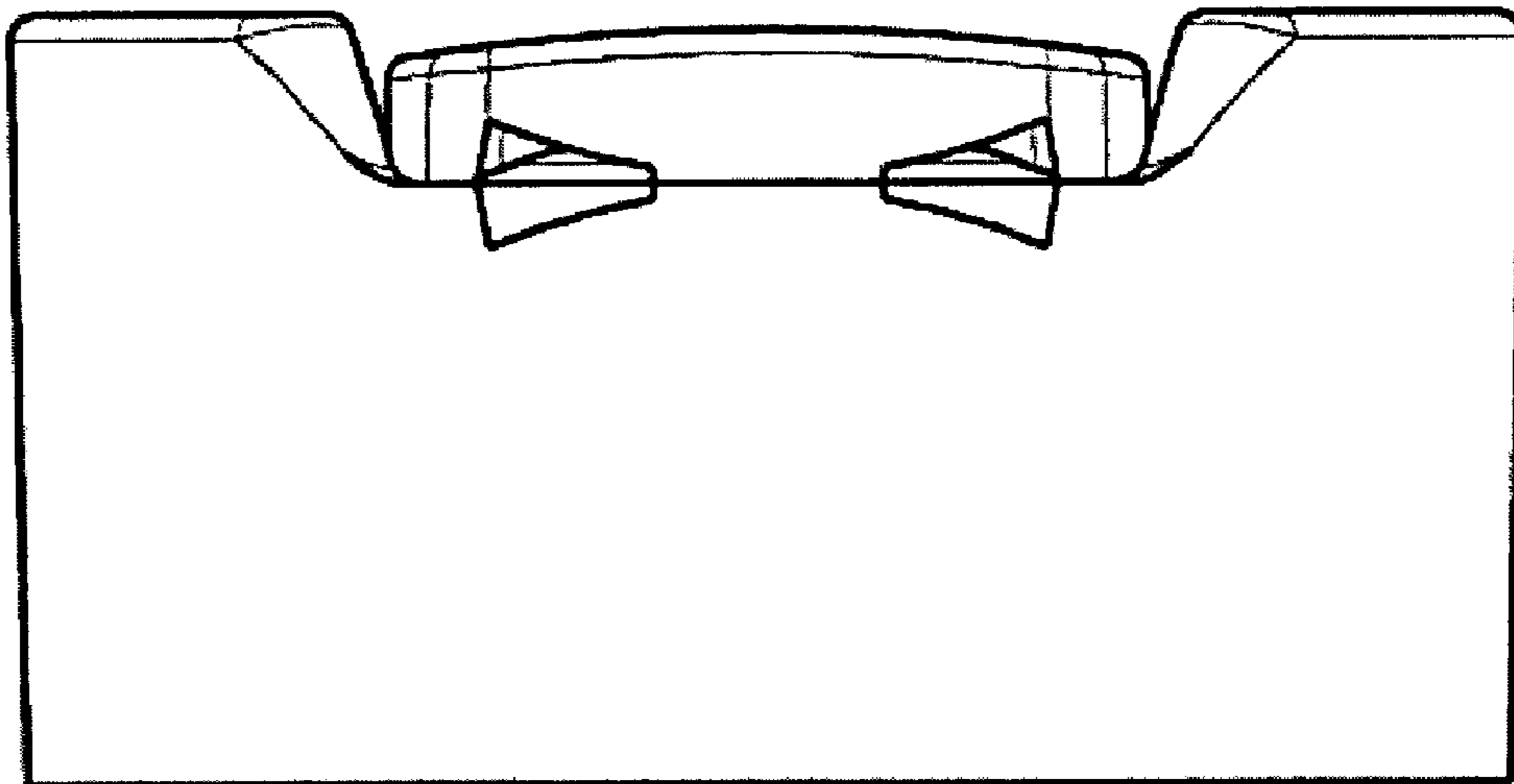


Fig. 5

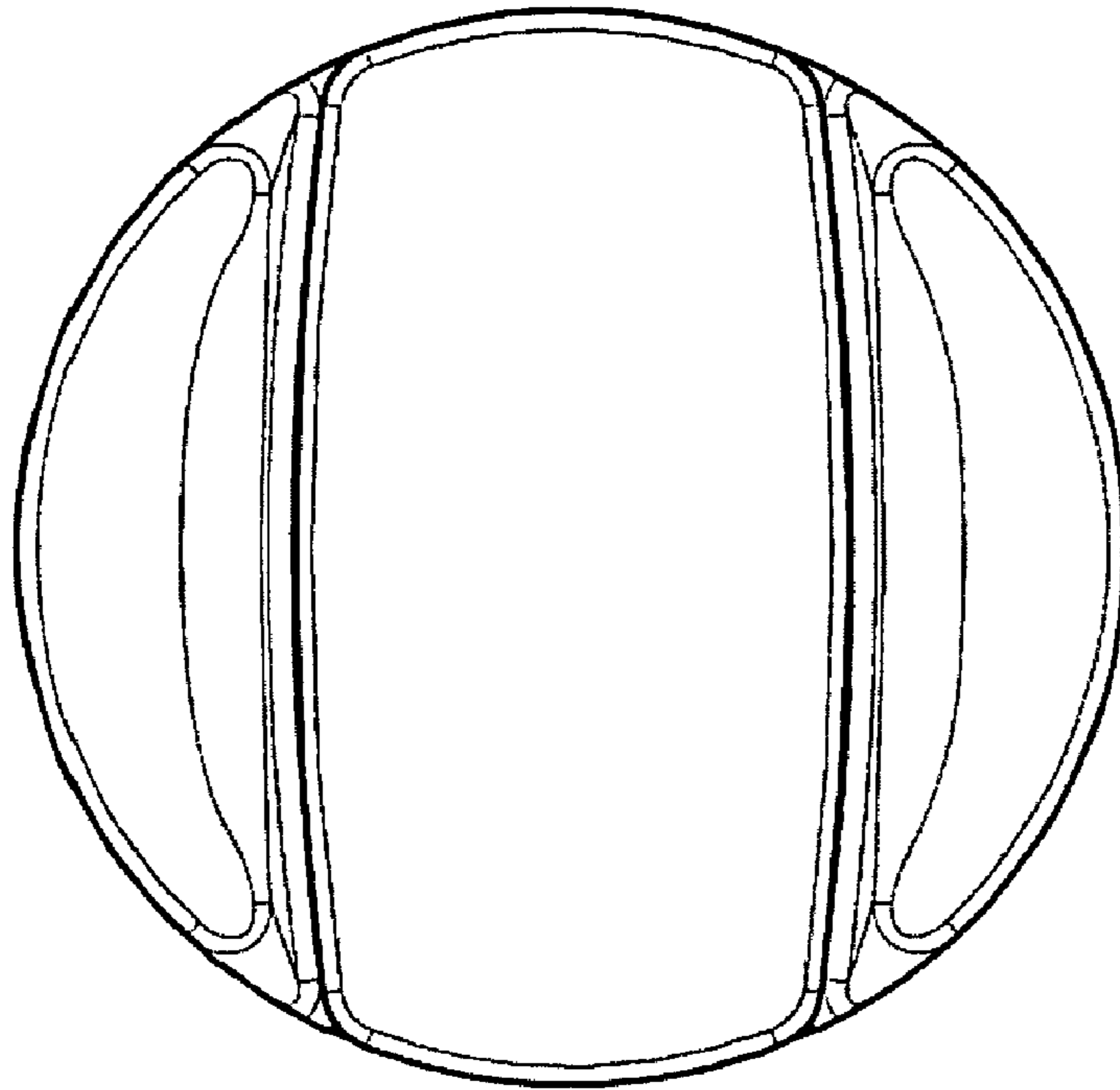


Fig. 6