



US00D601015S

(12) **United States Design Patent**
Shaver et al.

(10) **Patent No.:** **US D601,015 S**
(45) **Date of Patent:** **** Sep. 29, 2009**

(54) **PRODUCE CONTAINER**

(75) Inventors: **David Shaver**, Kingsbury, TX (US);
Bryant P. Ambelang, San Antonio, TX (US)

(73) Assignee: **Desert Glory, Ltd**, San Antonio, TX (US)

(**) Term: **14 Years**

(21) Appl. No.: **29/332,958**

(22) Filed: **Feb. 27, 2009**

D364,804 S	12/1995	Pedersen-Rask et al.
D374,820 S	10/1996	Knoss et al.
D391,163 S	2/1998	Hanna et al.
D398,845 S	9/1998	Wyslotsky
5,860,549 A	1/1999	Allers et al.
5,862,977 A	1/1999	Hirano et al.
D415,025 S	10/1999	McCann
D440,155 S	4/2001	Schaefer
D453,107 S	1/2002	Wyslotsky et al.
D494,062 S	8/2004	Willis
D523,333 S *	6/2006	Moretti D9/444
D536,611 S *	2/2007	Peck D9/428
D550,515 S *	9/2007	Chiang et al. D7/629
D589,790 S *	4/2009	Shaver et al. D9/428

Related U.S. Application Data

(62) Division of application No. 29/299,249, filed on Dec. 20, 2007, now Pat. No. Des. 589,790, which is a division of application No. 29/214,002, filed on Sep. 24, 2004, now Pat. No. Des. 562,678.

(51) **LOC (9) Cl.** **09-03**

(52) **U.S. Cl.** **D9/428; D9/425**

(58) **Field of Classification Search** D9/428,
D9/414, 416, 418, 419, 424, 425, 429, 430,
D9/444, 451; D7/602, 608, 613, 629; 206/457,
206/775, 776, 782, 815; 220/4.25, 4.27,
220/796

See application file for complete search history.

(56) **References Cited**

U.S. PATENT DOCUMENTS

5,345,784 A 9/1994 Bazemore et al.

* cited by examiner

Primary Examiner—Prabhakar Deshmukh

Assistant Examiner—Derrick Holland

(74) *Attorney, Agent, or Firm*—Fulbright & Jaworski L.L.P.

(57)

CLAIM

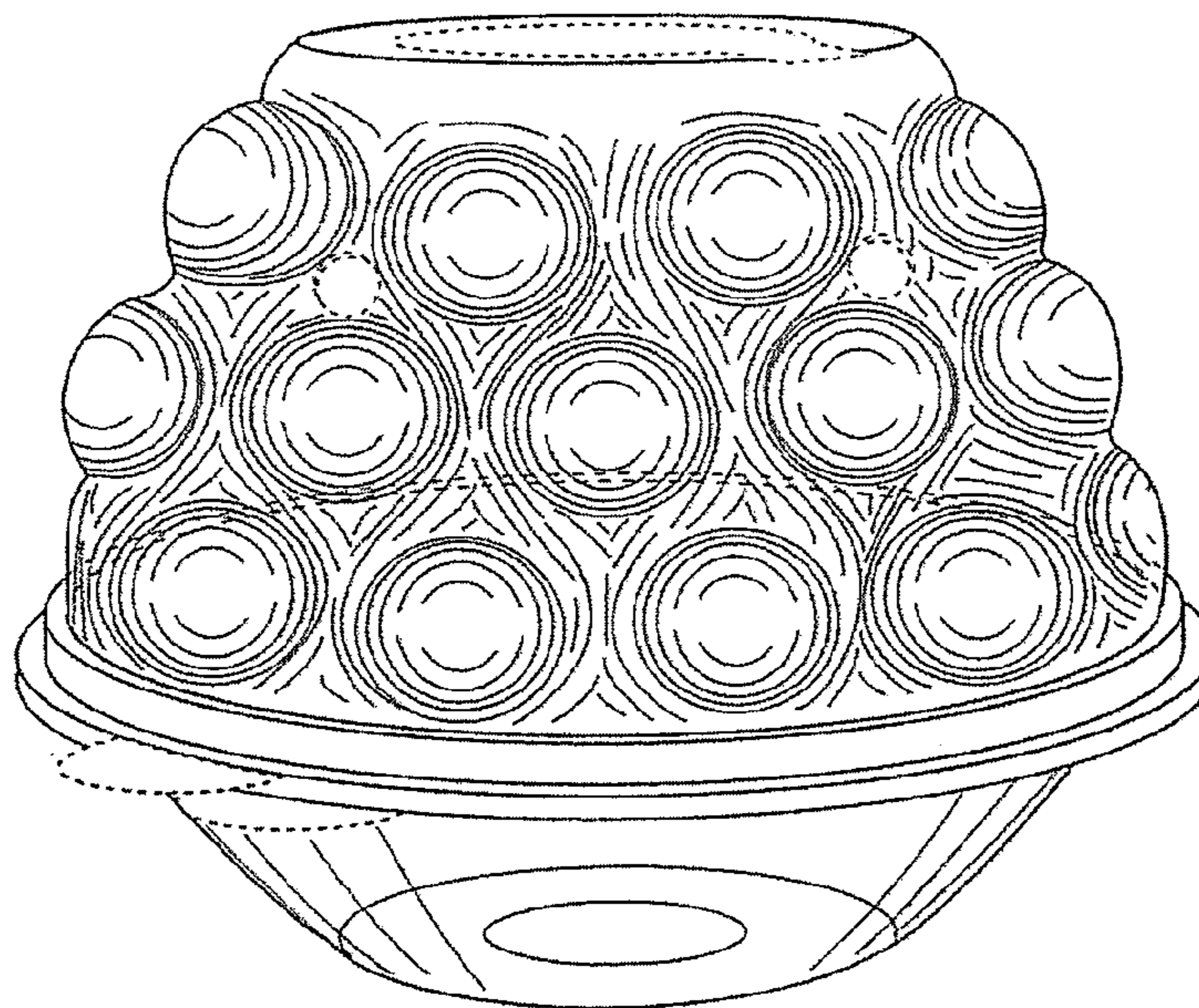
The ornamental design for a produce container, as shown and described.

DESCRIPTION

FIG. 1 is a perspective view of a produce container showing our new design.

The portions of the article in broken lines are shown for illustrative purposes only and form no part of the claimed design.

1 Claim, 1 Drawing Sheet



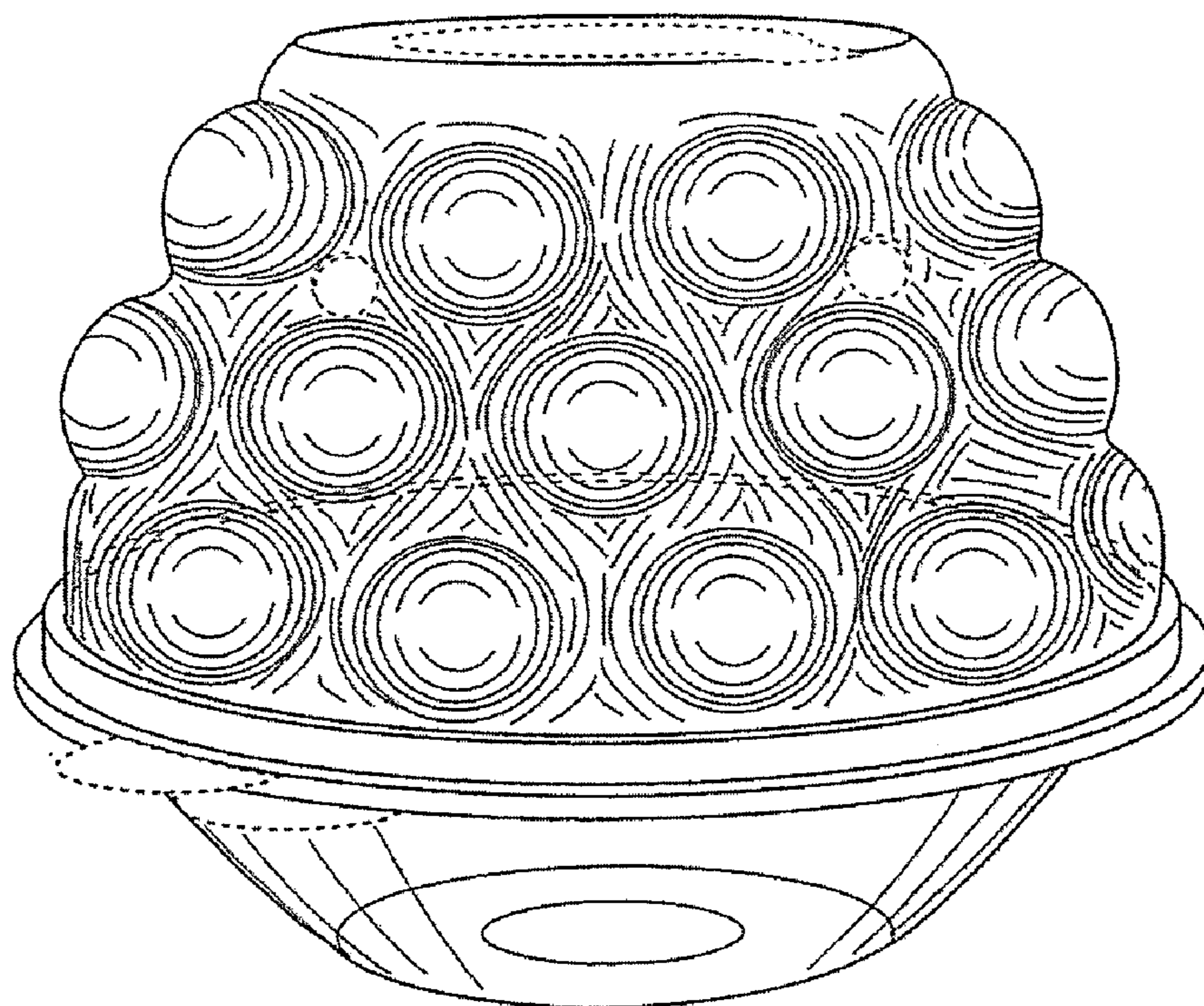


FIG. 1