



US00D601014S

(12) **United States Design Patent**
Petitjean

(10) **Patent No.:** **US D601,014 S**

(45) **Date of Patent:** **** Sep. 29, 2009**

(54) **CLAM SHELL CONTAINER**

(76) **Inventor:** **Armando Petitjean**, 17999 SW. 54 St.,
Miramar, FL (US) 33029

(**) **Term:** **14 Years**

(21) **Appl. No.:** **29/331,943**

(22) **Filed:** **Feb. 5, 2009**

(51) **LOC (9) Cl.** **09-03**

(52) **U.S. Cl.** **D9/426**

(58) **Field of Classification Search** D9/414-416,
D9/418-420, 423-428, 430-432, 434, 435;
D7/354, 392.1, 394, 396.1, 538, 543-545,
D7/550.1, 551, 554.3, 587, 566, 575, 584,
D7/586, 629, 667; 220/4.21-4.24, 574, 602-608,
220/659, 675, 781-782, 793, 835, 839; 206/119,
206/470, 508, 521.1, 545, 806; 229/406;
219/725, 728, 732, 735; D23/359; D3/302,
D3/314

See application file for complete search history.

(56) **References Cited**

U.S. PATENT DOCUMENTS

3,253,762	A *	5/1966	Gaunt	206/521.1
5,046,659	A *	9/1991	Warburton	220/4.22
D343,576	S *	1/1994	Krupa	D9/423
5,423,453	A *	6/1995	Fritz	220/608
D361,036	S *	8/1995	Krupa	D9/424
D377,450	S *	1/1997	Krupa et al.	D9/425
D378,192	S *	2/1997	Krupa et al.	D9/425

D380,381	S *	7/1997	Krupa et al.	D9/425
D383,670	S *	9/1997	Gubeli	D9/425
D385,784	S *	11/1997	Krupa et al.	D9/425
D397,610	S *	9/1998	Cooper	D9/425
D399,737	S *	10/1998	Zuhlke et al.	D9/423
D536,992	S *	2/2007	Garg et al.	D9/737
D569,243	S *	5/2008	Kidd et al.	D9/425
D573,015	S *	7/2008	Chen	D9/427
D577,579	S *	9/2008	Lymn et al.	D9/426

* cited by examiner

Primary Examiner—Philip S Hyder

Assistant Examiner—Susan E Krakower

(74) *Attorney, Agent, or Firm*—Ruben Alcoba, Esq.

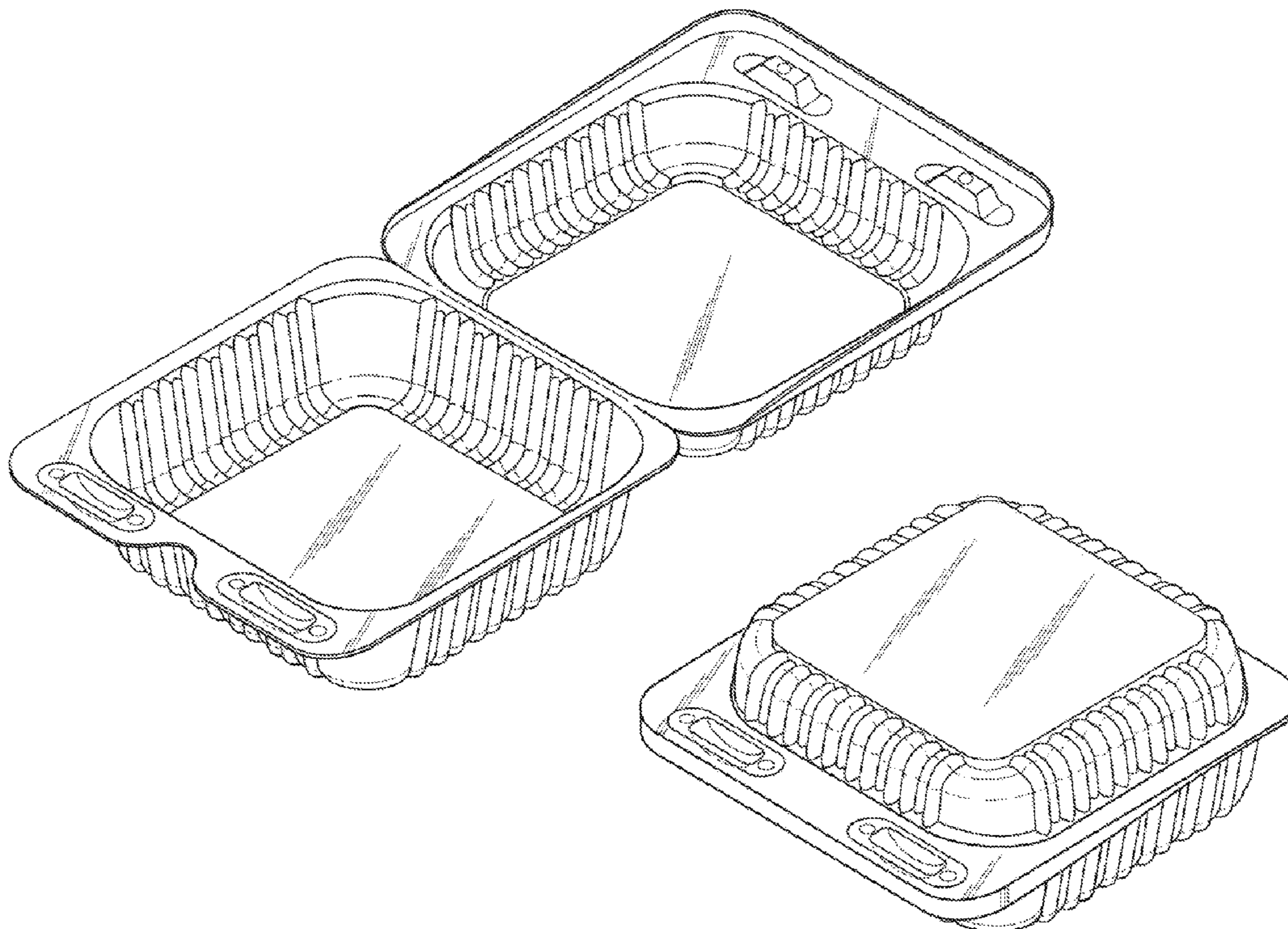
(57) **CLAIM**

I claim an ornamental design for a clam shell container, as shown and described.

DESCRIPTION

FIG. 1 is an open perspective view of the clam shell container;
FIG. 2 is a closed perspective view of the clam shell container;
FIG. 3 is an open top view of the clam shell container;
FIG. 4 is an open side view of the clam shell container;
FIG. 5 is a closed top view of the clam shell container;
FIG. 6 is a closed bottom view of the clam shell container;
FIG. 7 is a closed front view of the clam shell container; and,
FIG. 8 is a closed back view of the clam shell container.

1 Claim, 3 Drawing Sheets



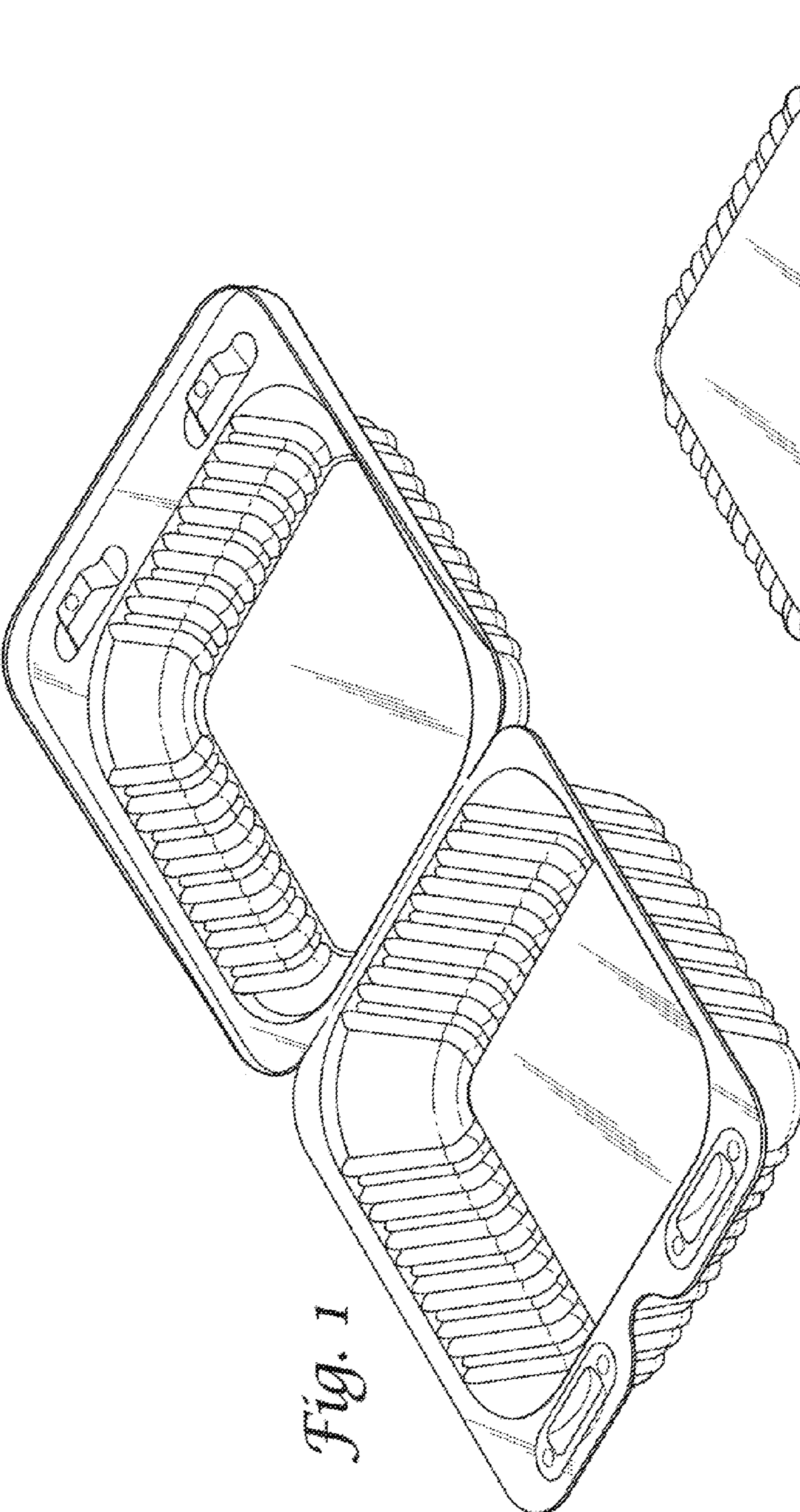


Fig. 1

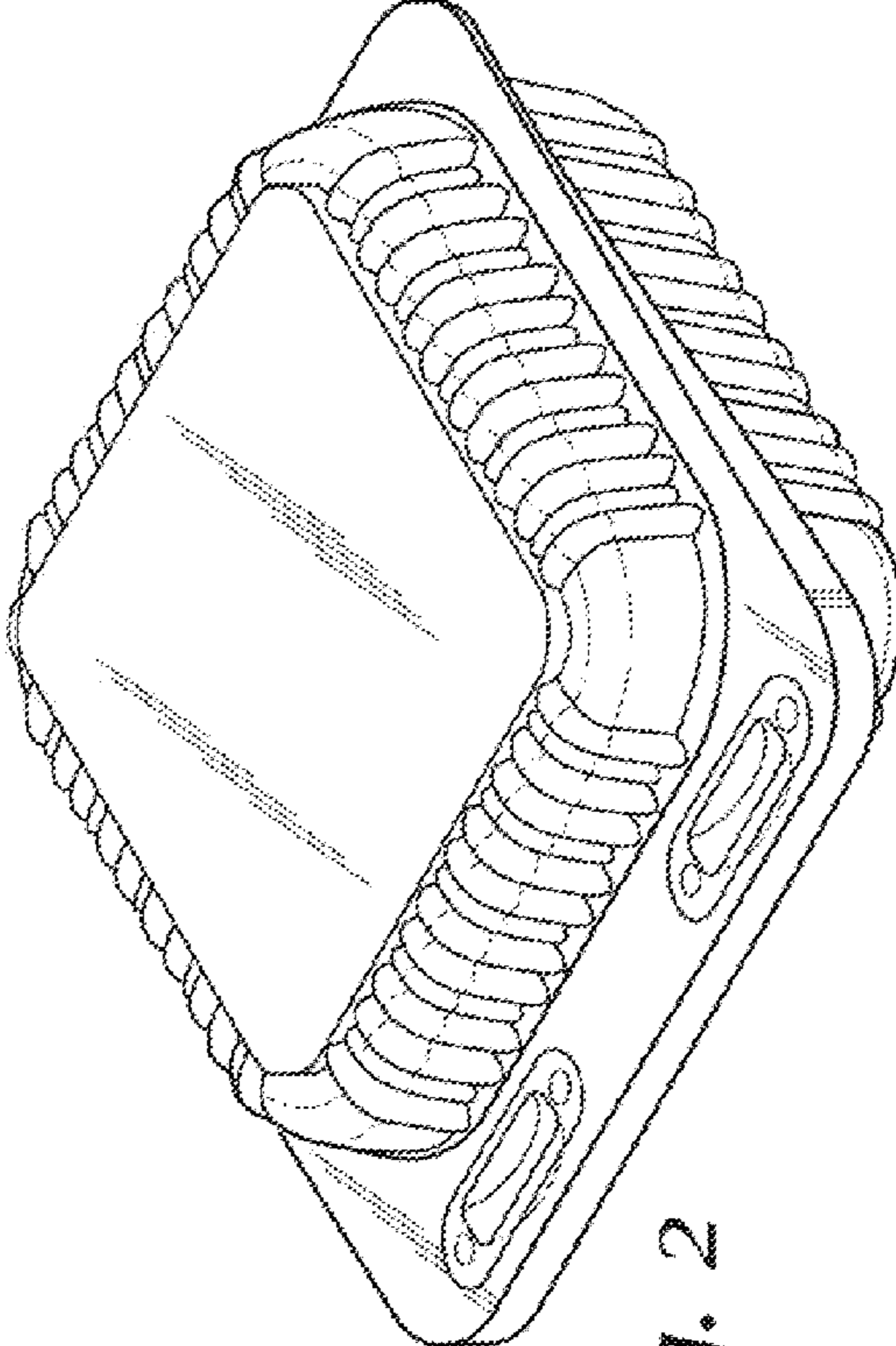


Fig. 2

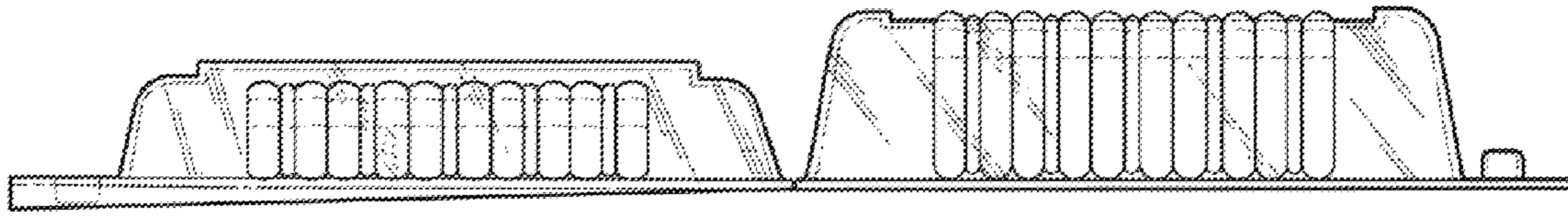


Fig. 4

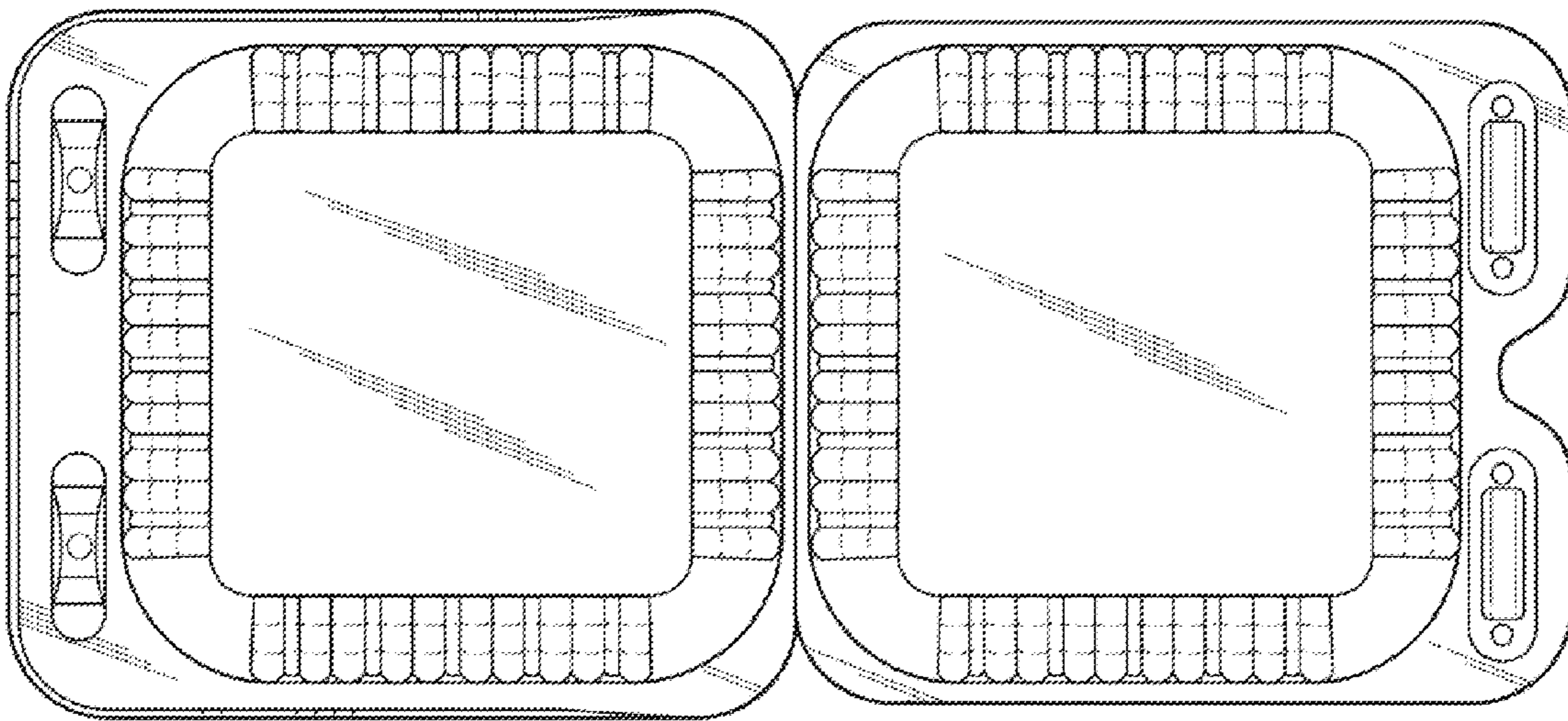


Fig. 3

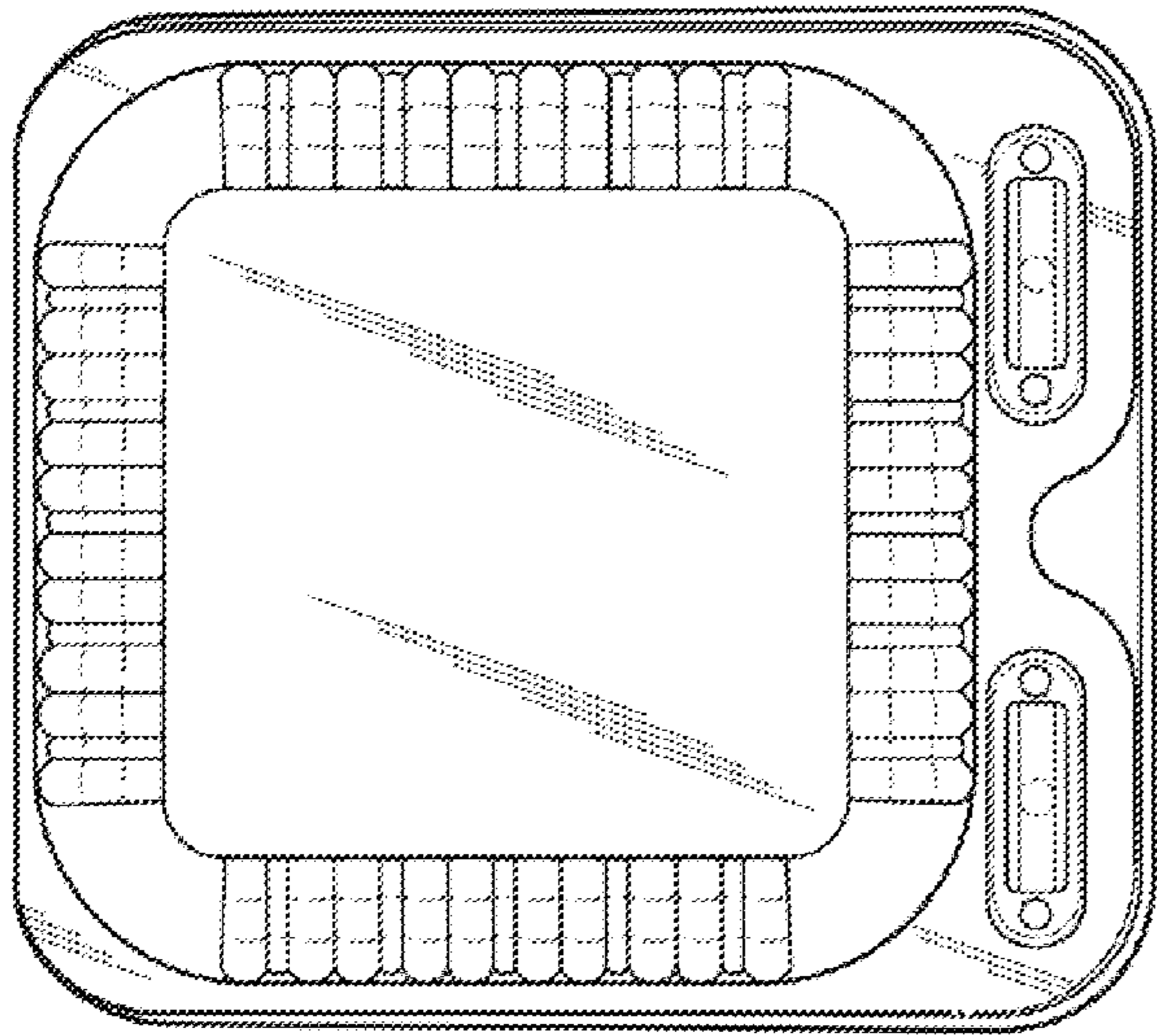


Fig. 6

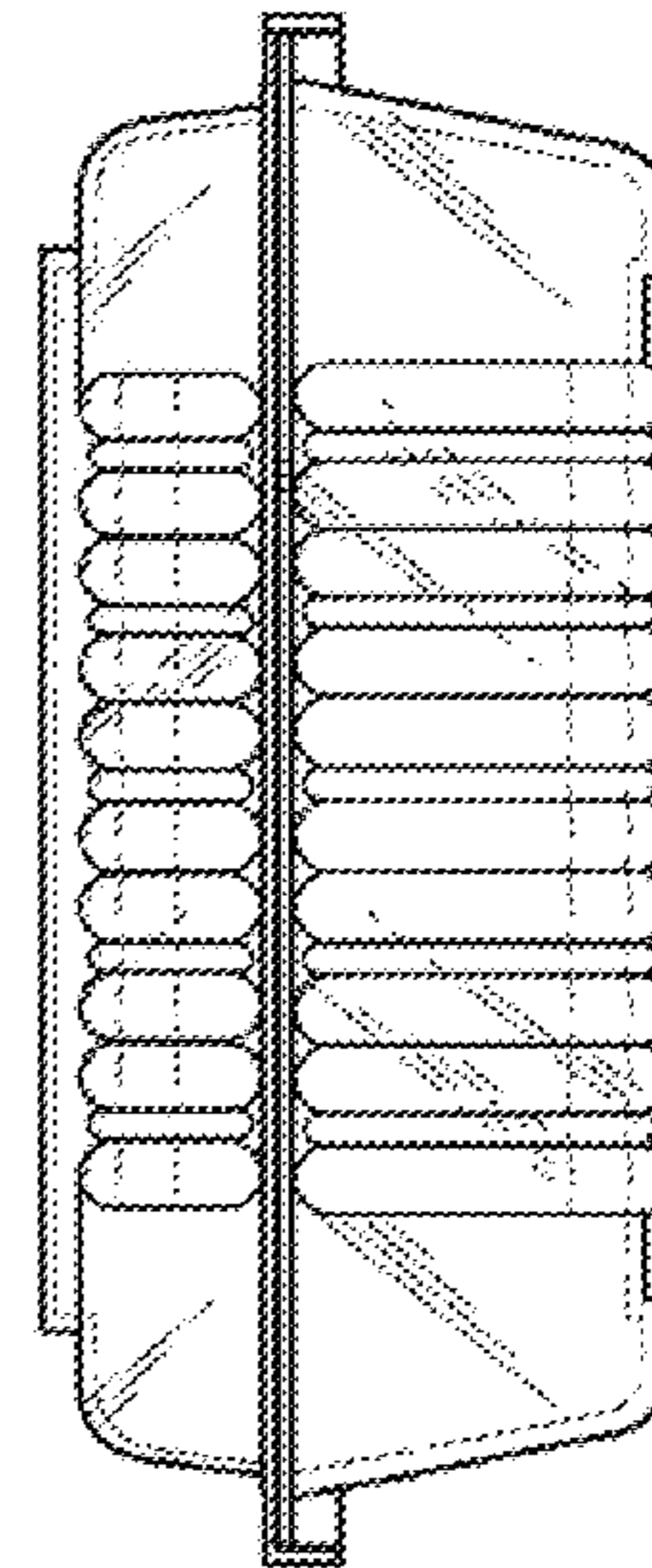


Fig. 8

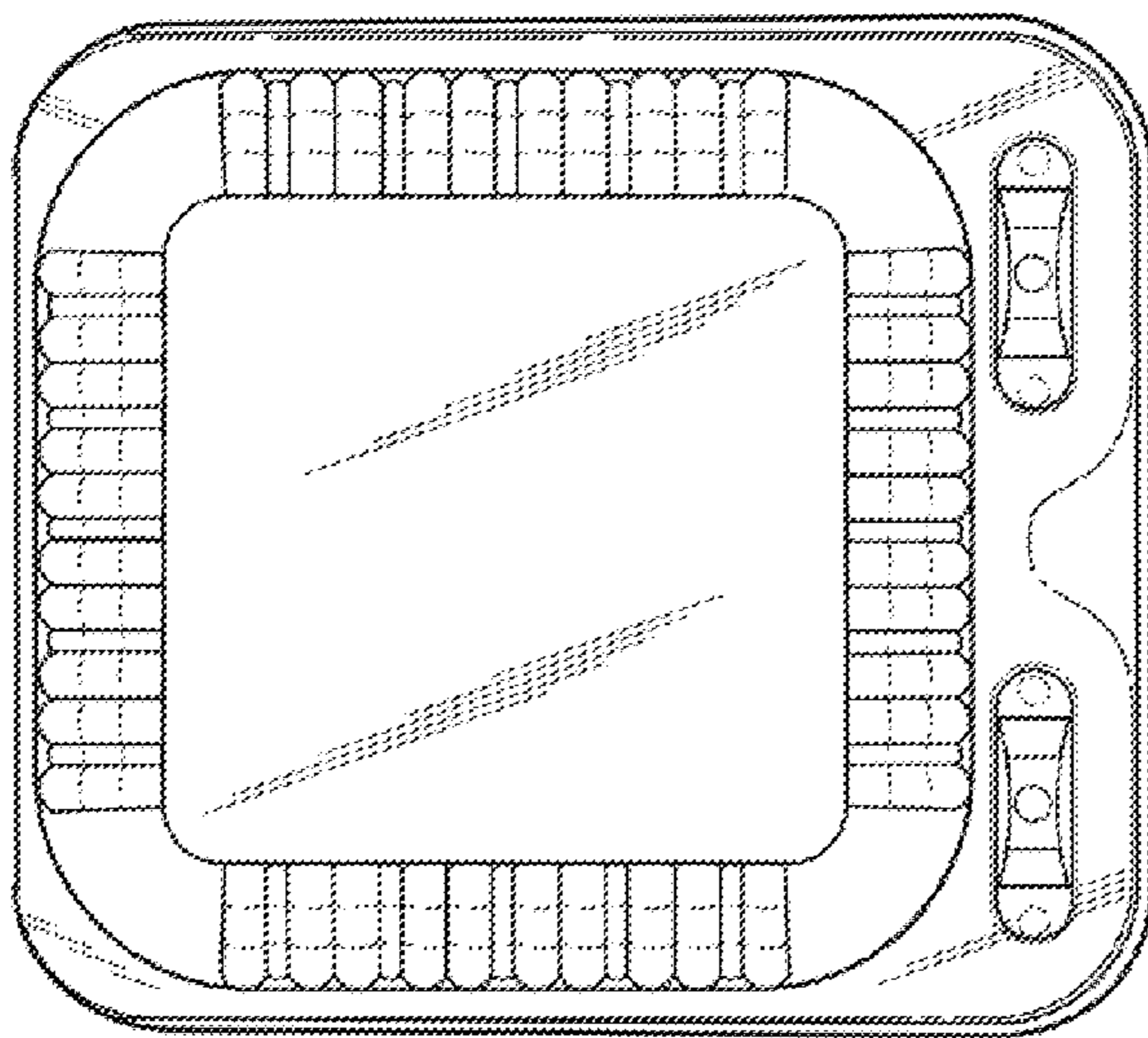


Fig. 5

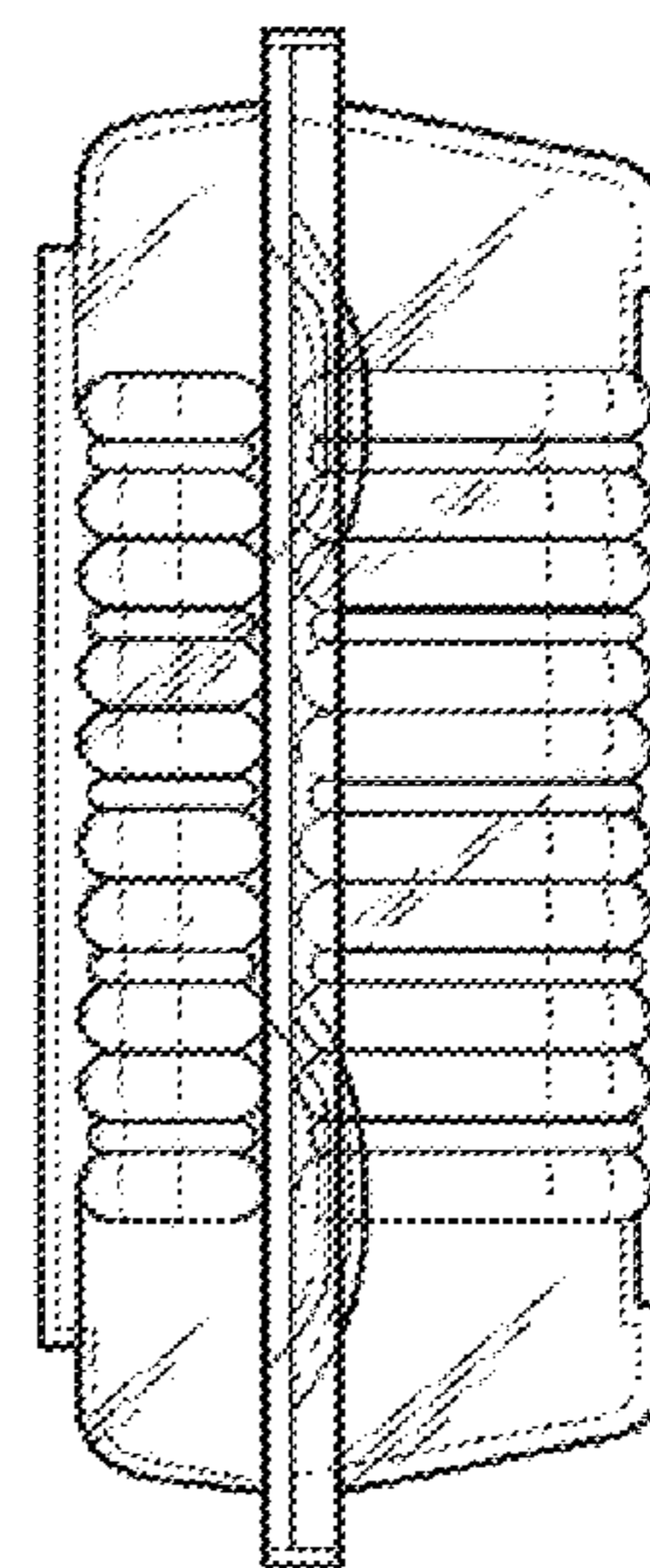


Fig. 7