



US00D601013S

(12) **United States Design Patent**
Petitjean

(10) **Patent No.:** **US D601,013 S**

(45) **Date of Patent:** **** Sep. 29, 2009**

(54) **CLAM SHELL CONTAINER**

(76) Inventor: **Armando Petitjean**, 17999 SW. 54 St.,
Miramar, FL (US) 33029

(**) Term: **14 Years**

(21) Appl. No.: **29/331,938**

(22) Filed: **Feb. 5, 2009**

(51) **LOC (9) Cl.** **09-03**

(52) **U.S. Cl.** **D9/426**

(58) **Field of Classification Search** D9/414-416,
D9/418-420, 423-428, 430-432, 434, 435;
D7/354, 392.1, 394, 396.1, 538, 543-545,
D7/550.1, 551, 554.3, 587, 566, 575, 584,
D7/586, 629, 667; 220/4.21-4.24, 574, 602-608,
220/659, 675, 781-782, 793, 835, 839; 206/119,
206/470, 508, 521.1, 545, 806; 229/406;
219/725, 728, 732, 735; D23/359; D3/302,
D3/314

See application file for complete search history.

(56) **References Cited**

U.S. PATENT DOCUMENTS

3,253,762 A * 5/1966 Gaunt 206/521.1
5,046,659 A * 9/1991 Warburton 220/4.22
D343,576 S * 1/1994 Krupa D9/423
5,423,453 A * 6/1995 Fritz 220/608
D361,036 S * 8/1995 Krupa D9/424
D377,450 S * 1/1997 Krupa et al. D9/425
D378,192 S * 2/1997 Krupa et al. D9/425

D380,381 S * 7/1997 Krupa et al. D9/425
D383,670 S * 9/1997 Gubeli D9/425
D385,784 S * 11/1997 Krupa et al. D9/425
D397,610 S * 9/1998 Cooper D9/425
D399,737 S * 10/1998 Zuhlke et al. D9/423
D536,992 S * 2/2007 Garg et al. D9/737
D569,243 S * 5/2008 Kidd et al. D9/425
D573,015 S * 7/2008 Chen D9/427
D577,579 S * 9/2008 Lymn et al. D9/426

* cited by examiner

Primary Examiner—Philip S Hyder

Assistant Examiner—Susan E Krakower

(74) *Attorney, Agent, or Firm*—Ruben Alcoba, Esq.

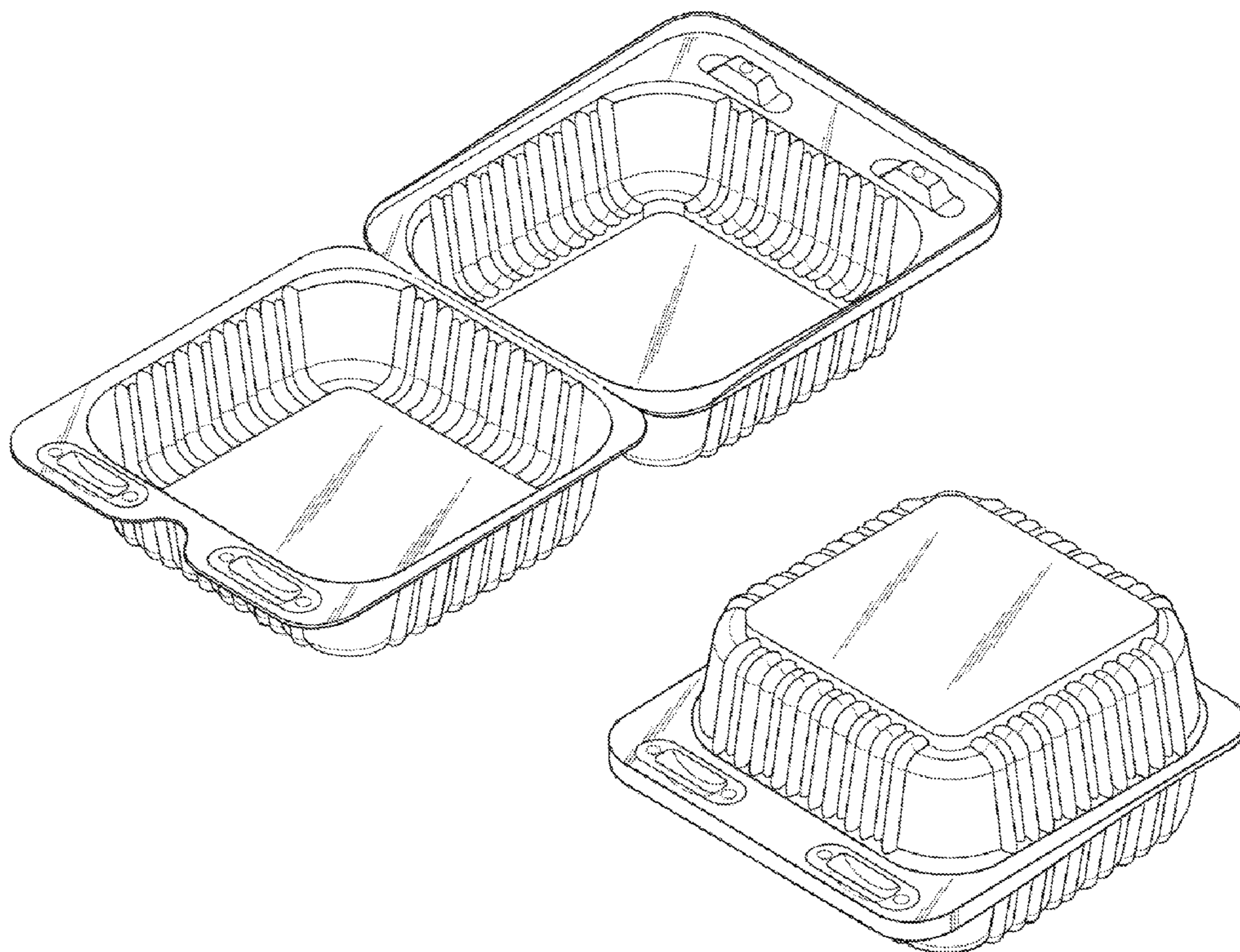
(57) **CLAIM**

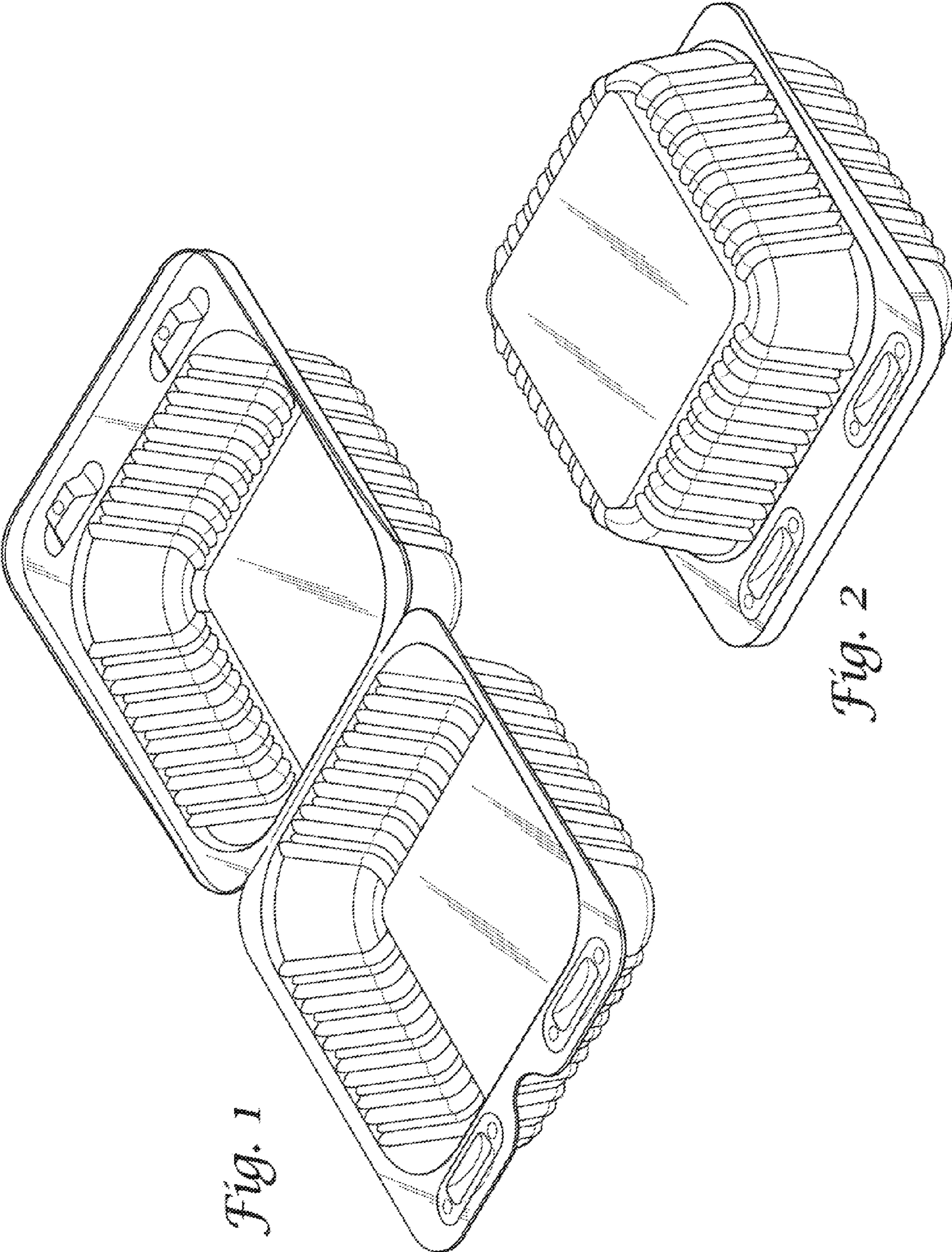
I claim an ornamental design for a clam shell container, as shown and described.

DESCRIPTION

FIG. 1 is an open perspective view of the clam shell container;
FIG. 2 is a closed perspective view of the clam shell container;
FIG. 3 is an open top view of the clam shell container;
FIG. 4 is an open side view of the clam shell container;
FIG. 5 is a closed top view of the clam shell container;
FIG. 6 is a closed bottom view of the clam shell container;
FIG. 7 is a closed front view of the clam shell container; and,
FIG. 8 is a closed back view of the clam shell container.

1 Claim, 3 Drawing Sheets





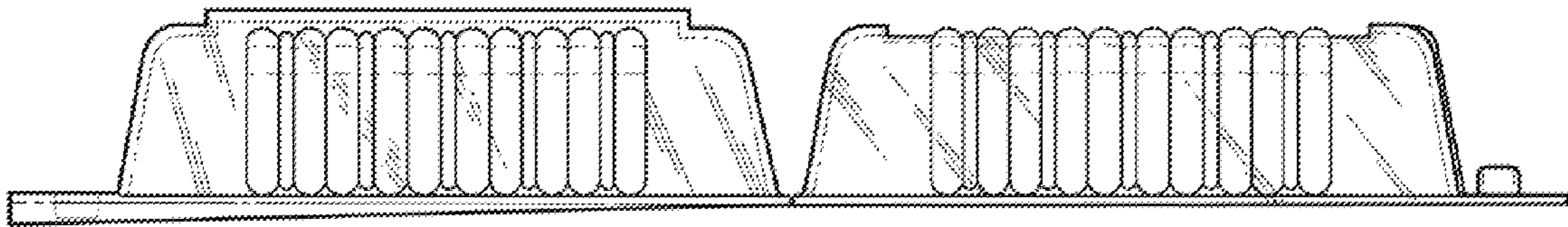


Fig. 4

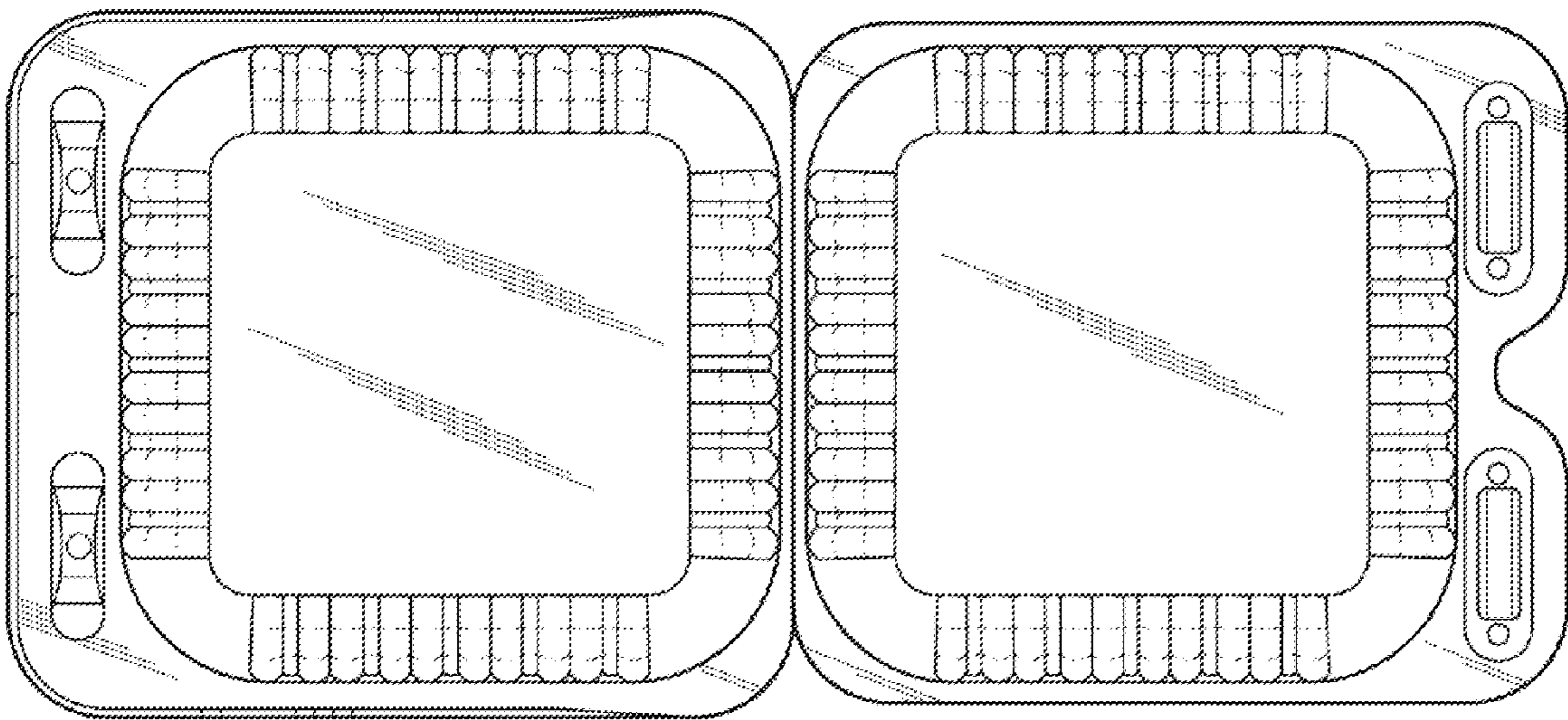


Fig. 3

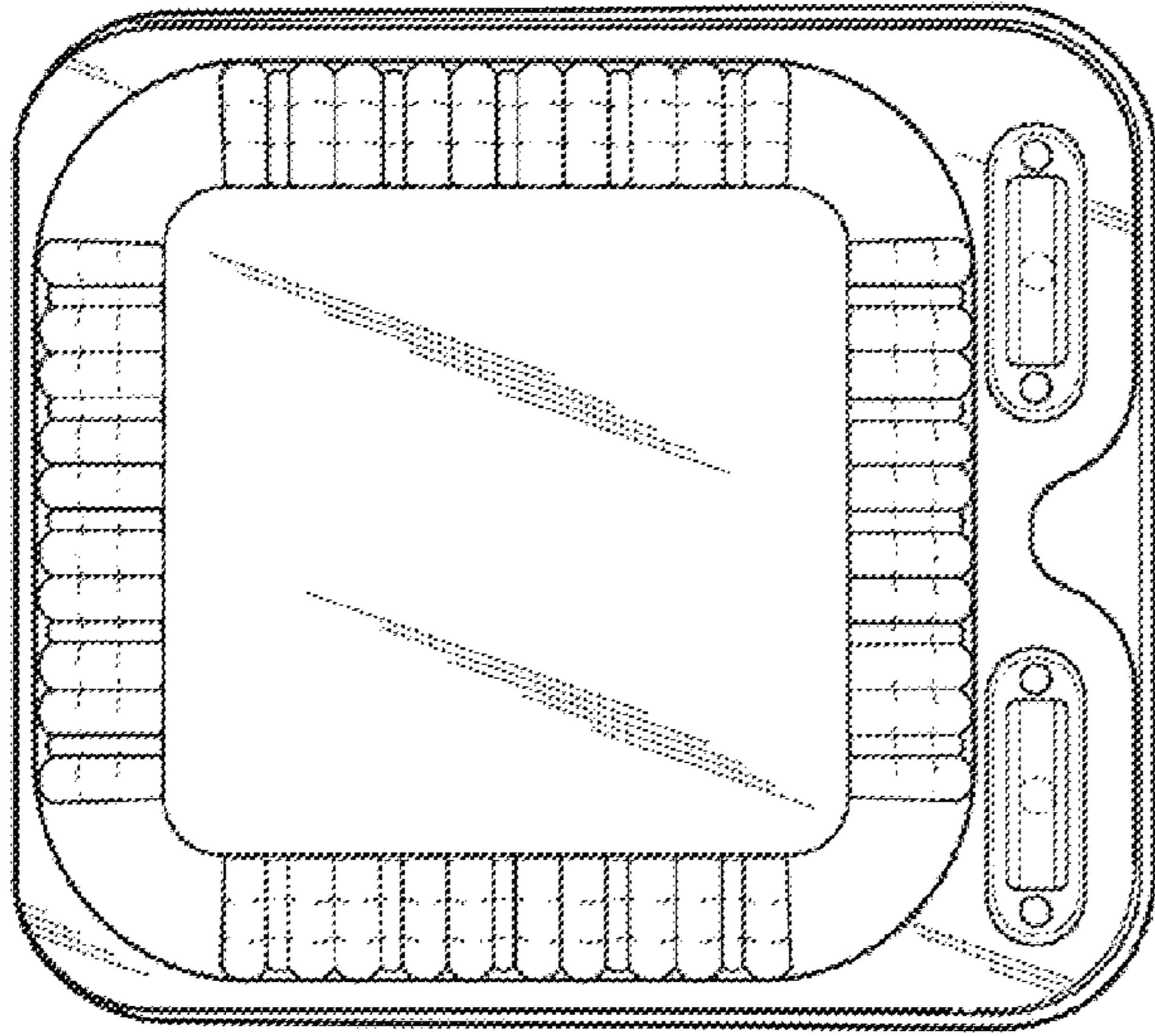


Fig. 6

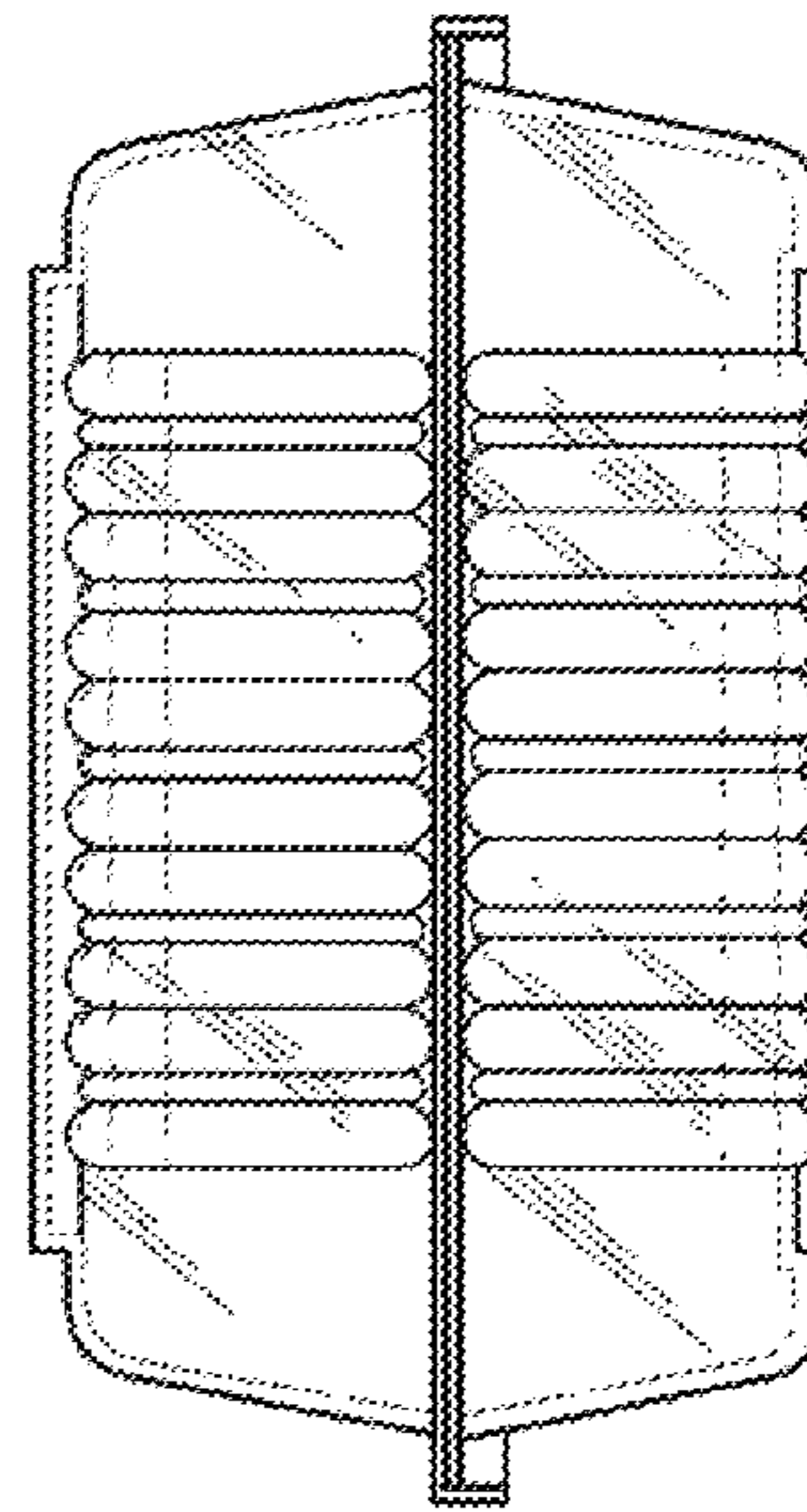


Fig. 8

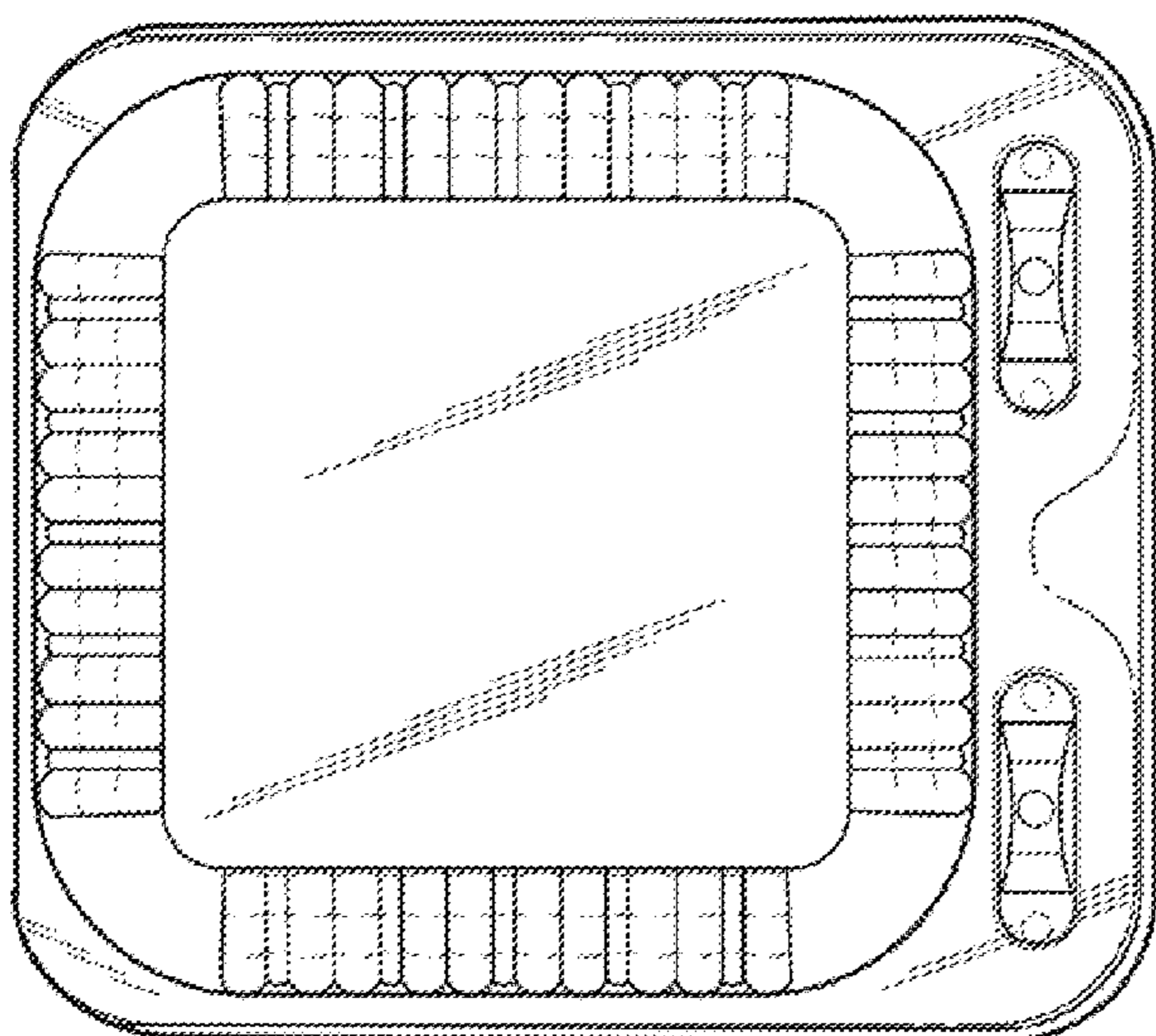


Fig. 5

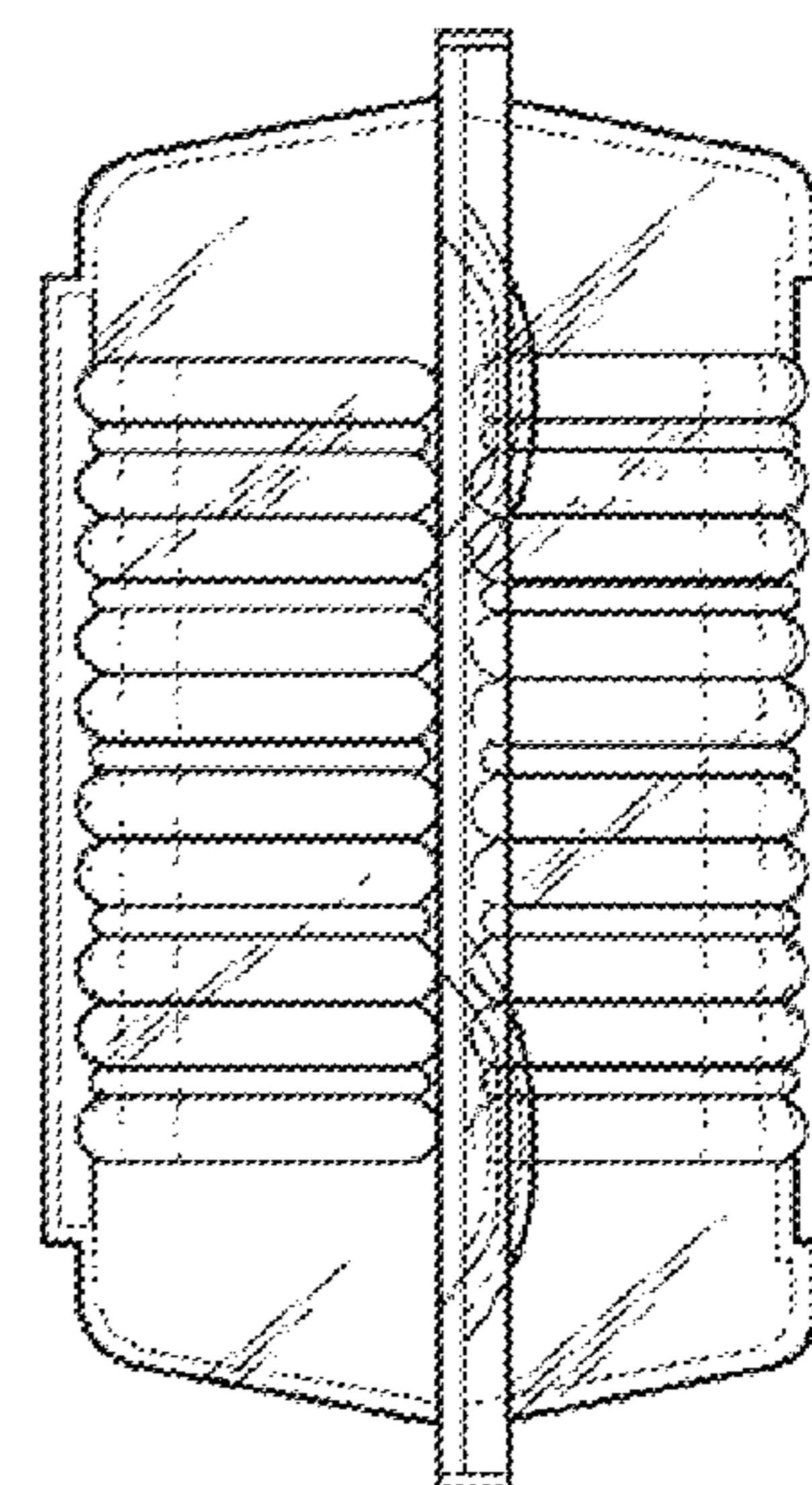


Fig. 7