



US00D601010S

(12) **United States Design Patent**
Ballard et al.

(10) **Patent No.:** **US D601,010 S**

(45) **Date of Patent:** **** Sep. 29, 2009**

(54) **CLAMSHELL PACKAGE**

(75) Inventors: **Lance Ballard**, Houston, TX (US);
Keith McCall, Houston, TX (US);
Chandler Parkinson, Houston, TX
(US); **David A. Robinson**, Houston, TX
(US)

(73) Assignee: **Hewlett-Packard Development
Company, L.P.**, Houston, TX (US)

(**) Term: **14 Years**

(21) Appl. No.: **29/256,413**

(22) Filed: **Mar. 20, 2006**

(51) **LOC (9) Cl.** **09-03**

(52) **U.S. Cl.** **D9/418; D9/425**

(58) **Field of Classification Search** D9/414–433,
D9/457, 701, 341–348, 730–762, 304, 227;
206/461–471, 495, 806; D3/215
See application file for complete search history.

(56) **References Cited**

U.S. PATENT DOCUMENTS

D266,829	S	*	11/1982	Yoshizawa et al.	D9/415
4,570,818	A	*	2/1986	Borst et al.	220/835
D304,685	S	*	11/1989	Hadtke	D9/415
D305,732	S	*	1/1990	Hadtke	D9/415
D363,217	S	*	10/1995	Flynn	D9/415
D380,962	S	*	7/1997	Trigger	D9/415
5,788,105	A	*	8/1998	Foos	220/266
6,053,325	A	*	4/2000	Yonker et al.	206/736
D449,780	S	*	10/2001	Corella	D9/415
D456,249	S	*	4/2002	Pearson et al.	D9/415

6,484,875	B1	11/2002	Brainerd et al.	
6,571,953	B2	6/2003	Sherline et al.	
6,805,241	B2	10/2004	Smith	
D499,963	S	*	12/2004	Church D9/415
2003/0150770	A1	8/2003	Campbell et al.	
2004/0040880	A1	3/2004	Grosskopf	
2005/0133398	A1*	6/2005	Schwester 206/461	
2005/0269232	A1*	12/2005	Eisenbraun 206/461	

* cited by examiner

Primary Examiner—Louis S. Zarfás

Assistant Examiner—Susan E Krakower

(57) **CLAIM**

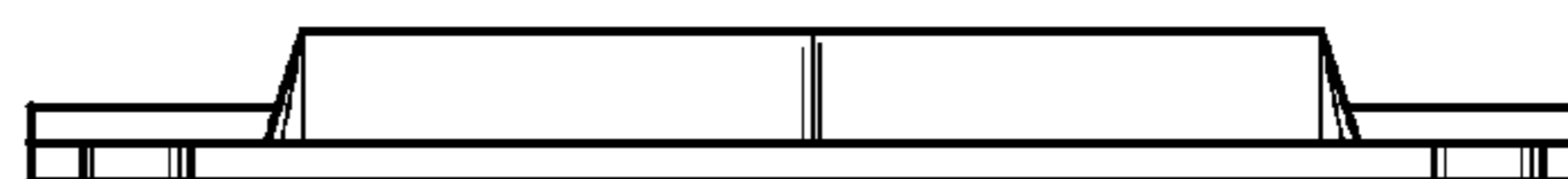
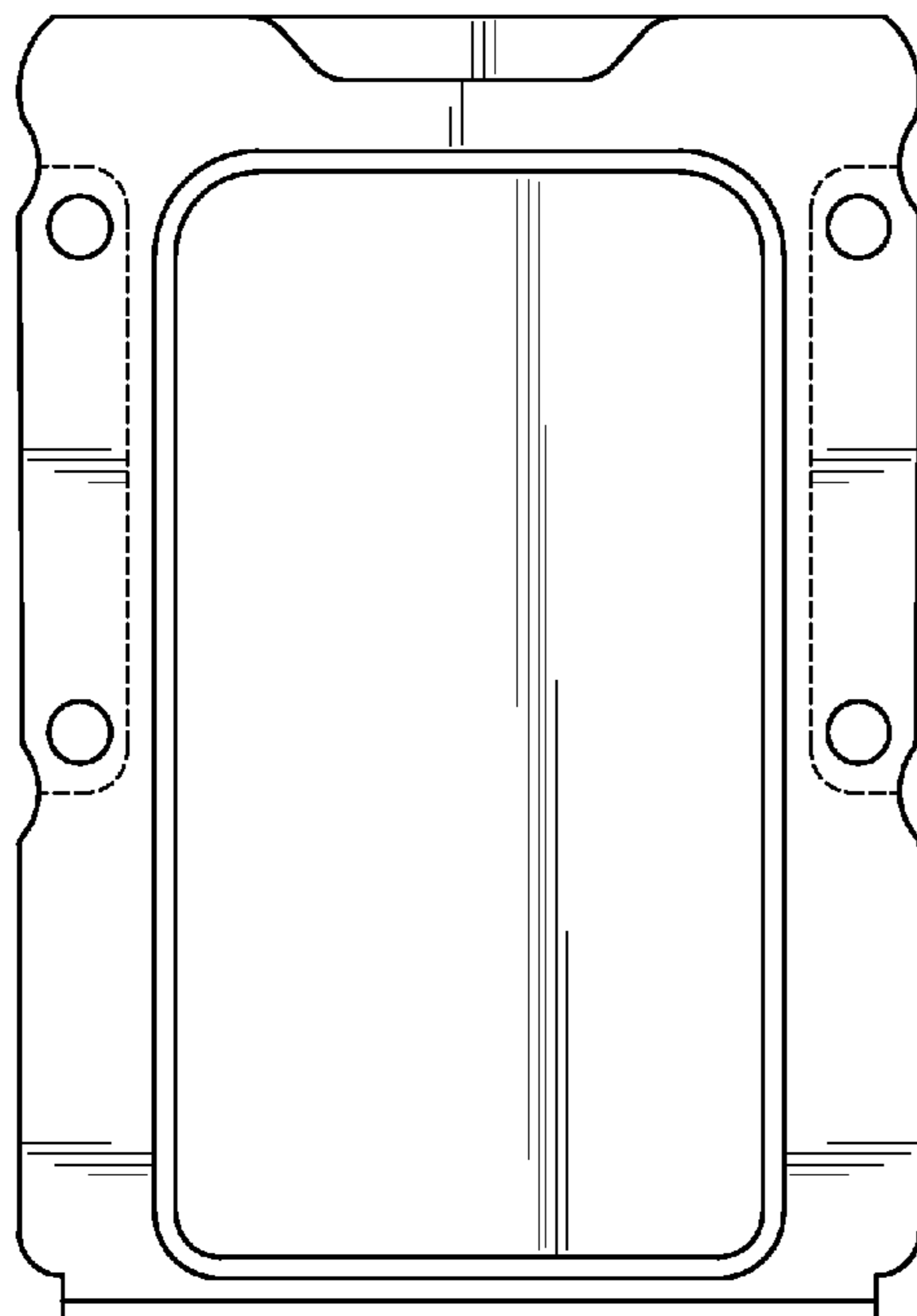
The ornamental design for a clamshell package, as shown and described.

DESCRIPTION

FIG. 1 is a top view of a clamshell package;
FIG. 2 is a bottom view of the clamshell package of FIG. 1;
FIG. 3 is a front view of the clamshell package of FIG. 1,
FIG. 4 is a back view of the clamshell package of FIG. 1;
FIG. 5 is a right side view of the clamshell package of FIG. 1;
FIG. 6 is a left side view of the clamshell package of FIG. 1;
and,
FIG. 7 is a perspective view of the clamshell package of FIG. 1.

The dashed lines shown around the small circular areas on the edge flange of the claimed article are understood to be perforations.

1 Claim, 3 Drawing Sheets



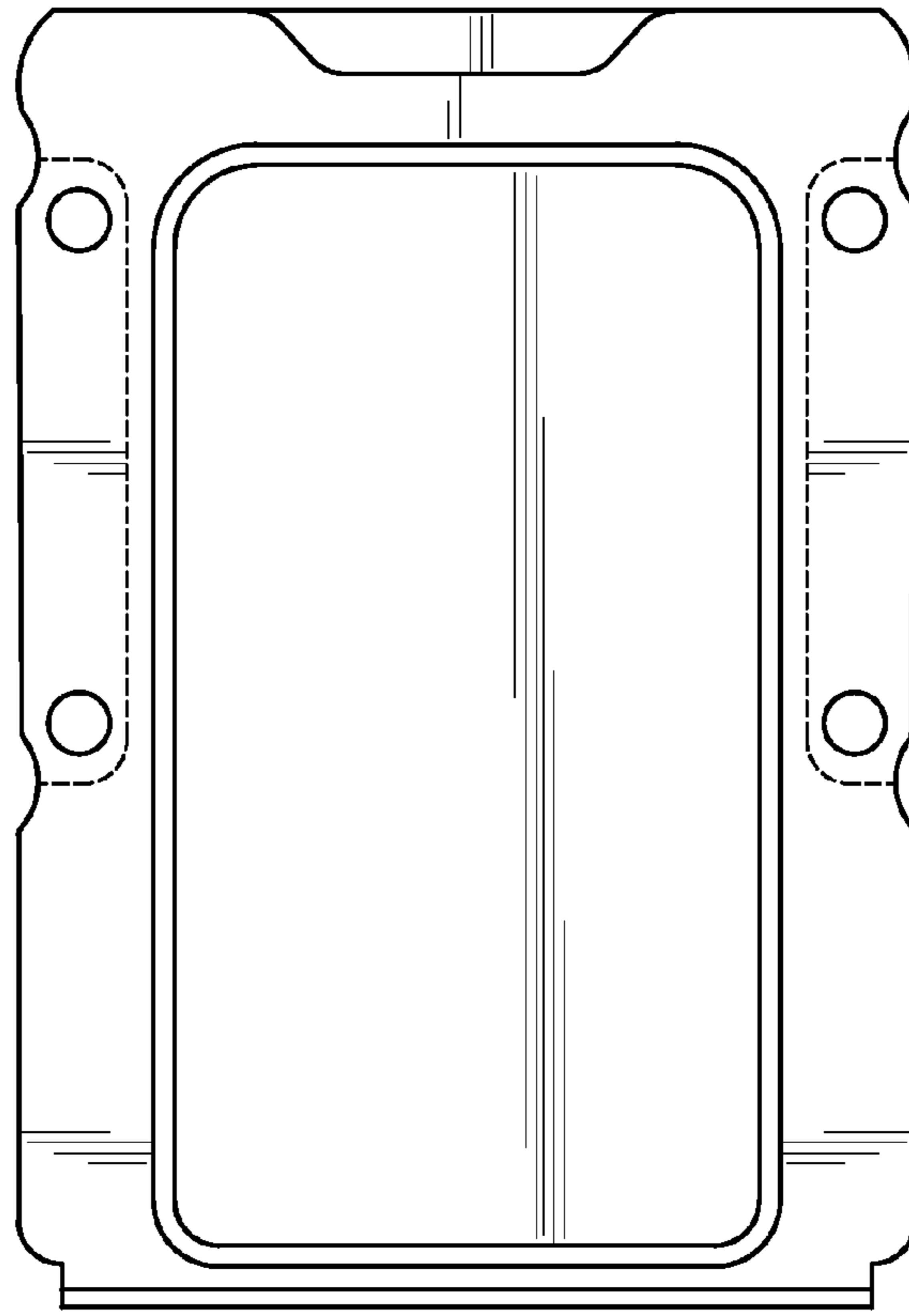


FIG. 1

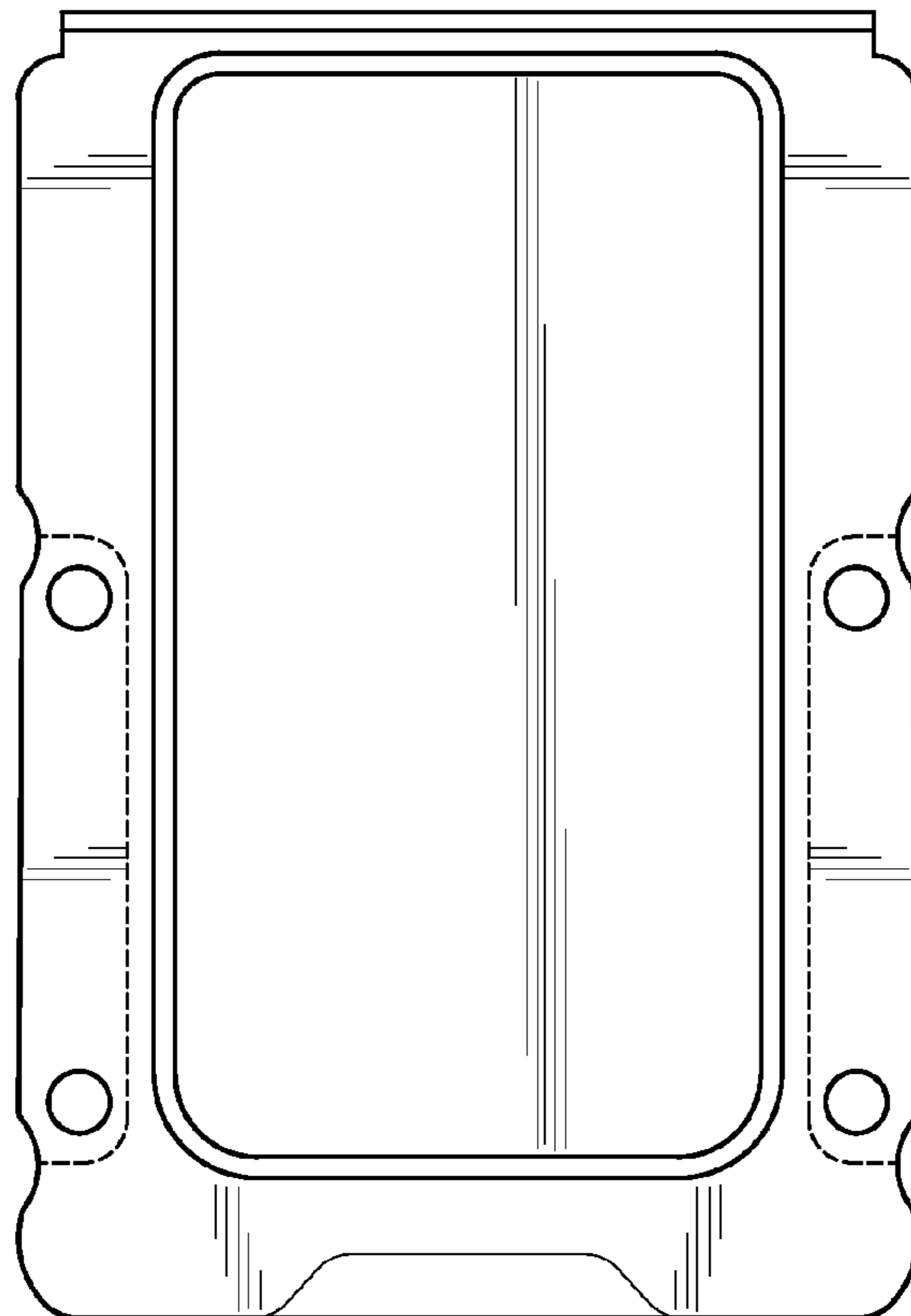


FIG. 2

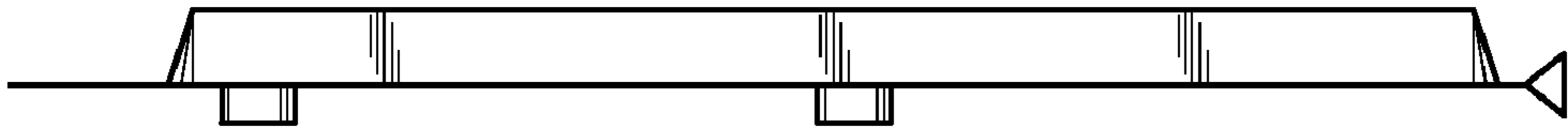


FIG. 6

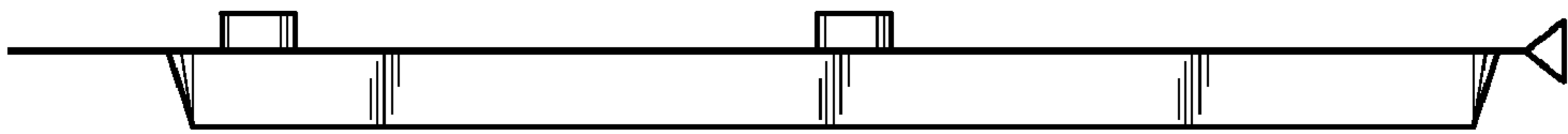


FIG. 5

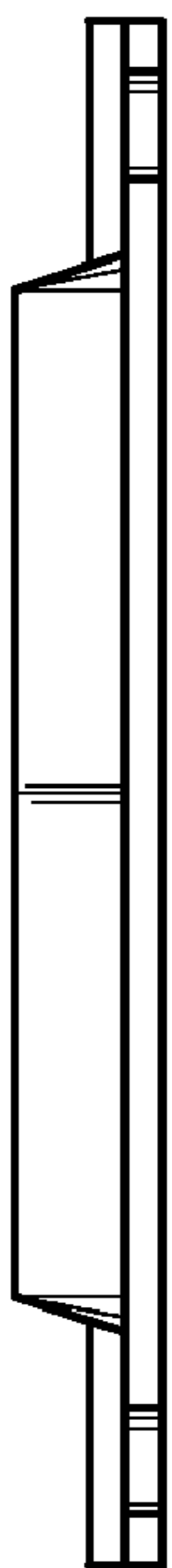


FIG. 3

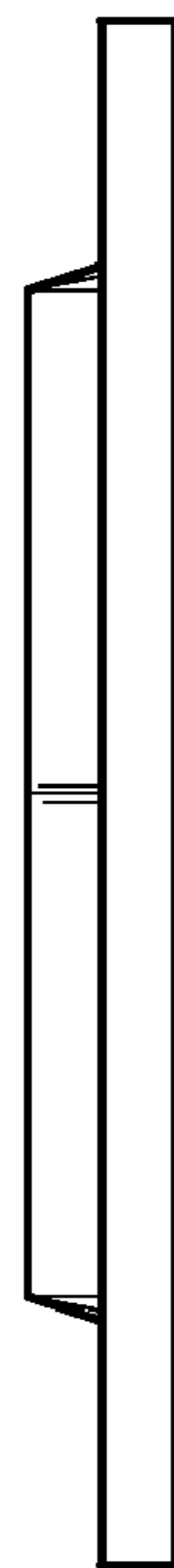


FIG. 4

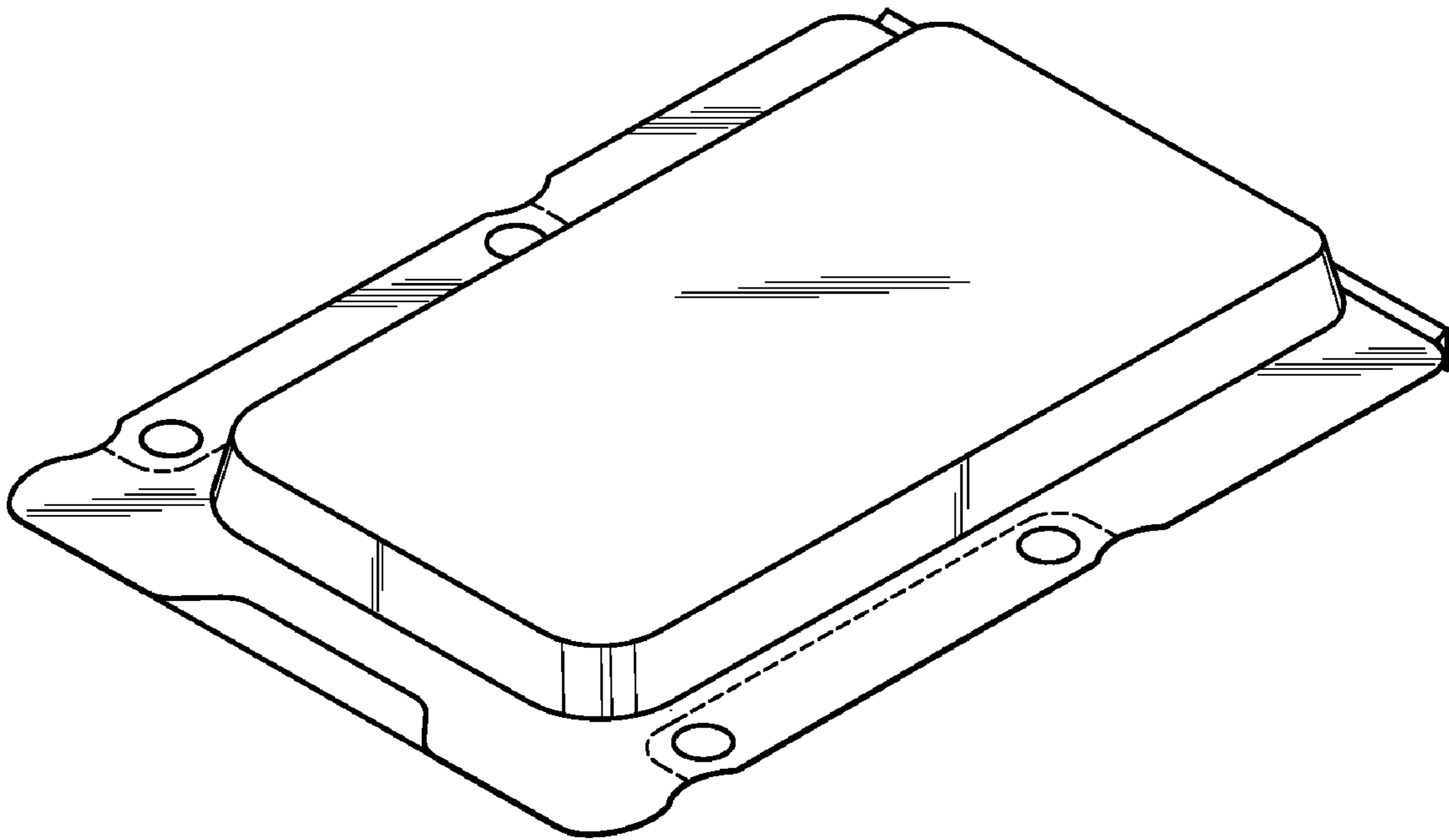


FIG. 7