



US00D601008S

(12) **United States Design Patent**
Ali et al.

(10) **Patent No.:** **US D601,008 S**

(45) **Date of Patent:** **** Sep. 29, 2009**

(54) **BULK RECLOSABLE DISPLAY PACKAGE**

(75) Inventors: **Terry Ali**, Xenia, OH (US); **Christopher Ali**, Beavercreek, OH (US); **Frank Ali**, Xenia, OH (US)

(73) Assignee: **Ali Industries Inc.**, Fairbanks, OH (US)

(**) Term: **14 Years**

(21) Appl. No.: **29/329,046**

(22) Filed: **Dec. 8, 2008**

(51) **LOC (9) Cl.** **09-03**

(52) **U.S. Cl.** **D9/415**

(58) **Field of Classification Search** D9/715,
D9/721, 722, 414, 415, 418, 419, 424, 425,
D9/428, 429, 434-436, 443, 445, 449, 452-455,
D9/499, 500-504; D3/229, 230, 263, 264,
D3/200, 201-203.2, 208, 212, 215, 219, 221,
D3/315, 316; D11/80; D6/309; D99/34;
206/303, 304.2, 389, 398, 402, 403-406,
206/407, 408, 413, 414, 445, 446, 775, 782,
206/769, 756, 763, 461-471, 806, 822; 220/212,
220/212.5, 793, 805, 600-602, 628, 631,
220/660-662, 665, 669-672, 676

See application file for complete search history.

(56) **References Cited**

U.S. PATENT DOCUMENTS

D192,455 S *	3/1962	Castelli	D9/419
D261,988 S *	11/1981	Nichols et al.	D9/415
D292,887 S *	11/1987	Schouten	D9/424
4,901,858 A	2/1990	Anderson		
5,220,999 A *	6/1993	Goulette	206/470

D382,704 S *	8/1997	Petruzzi	D3/207
6,029,815 A *	2/2000	Ali	206/349
6,267,239 B1 *	7/2001	Maki	206/349
6,296,114 B1 *	10/2001	Bubb et al.	206/308.1
6,427,832 B1	8/2002	Ali et al.		
6,464,077 B1 *	10/2002	Liu	206/388
7,487,872 B2 *	2/2009	Curtsinger et al.	206/349
2004/0099548 A1 *	5/2004	Ito et al.	206/303

* cited by examiner

Primary Examiner—Catherine Tuttle

(74) *Attorney, Agent, or Firm*—R. William Graham

(57) **CLAIM**

What is claimed is the ornamental design for the bulk reclosable display package, as shown and described.

DESCRIPTION

FIG. 1 is a perspective view of a bulk reclosable display package showing our new design;

FIG. 2 is a left side elevation view thereof;

FIG. 3 is a right side elevation view thereof;

FIG. 4 is front view thereof;

FIG. 5 is back view thereof;

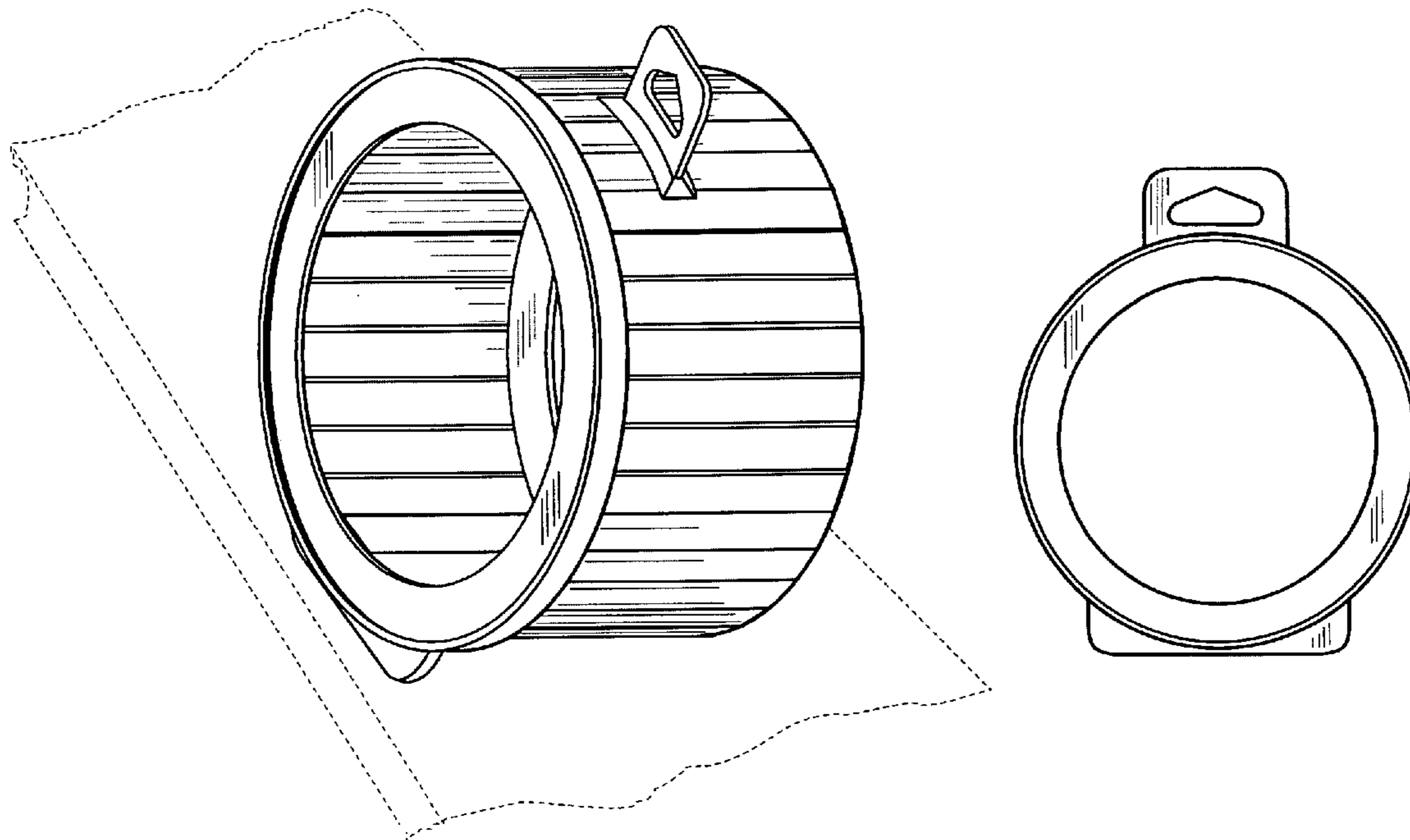
FIG. 6 is a bottom plan view thereof;

FIG. 7 is a top view thereof; and,

FIG. 8 is another perspective view thereof.

The broken lines are included for the purpose of illustrating environmental structure that forms no part of the claimed design.

1 Claim, 3 Drawing Sheets



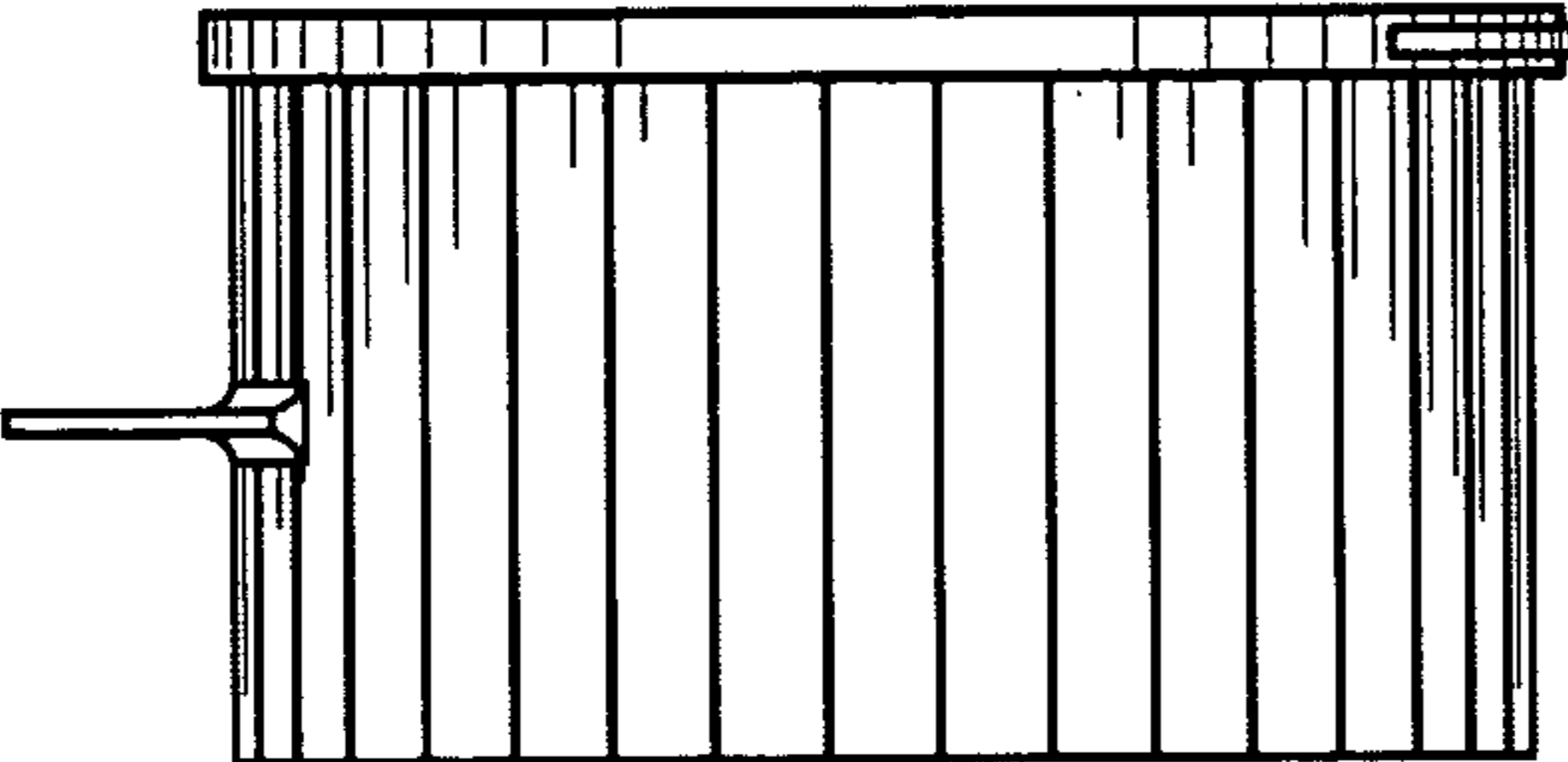


Fig. 2

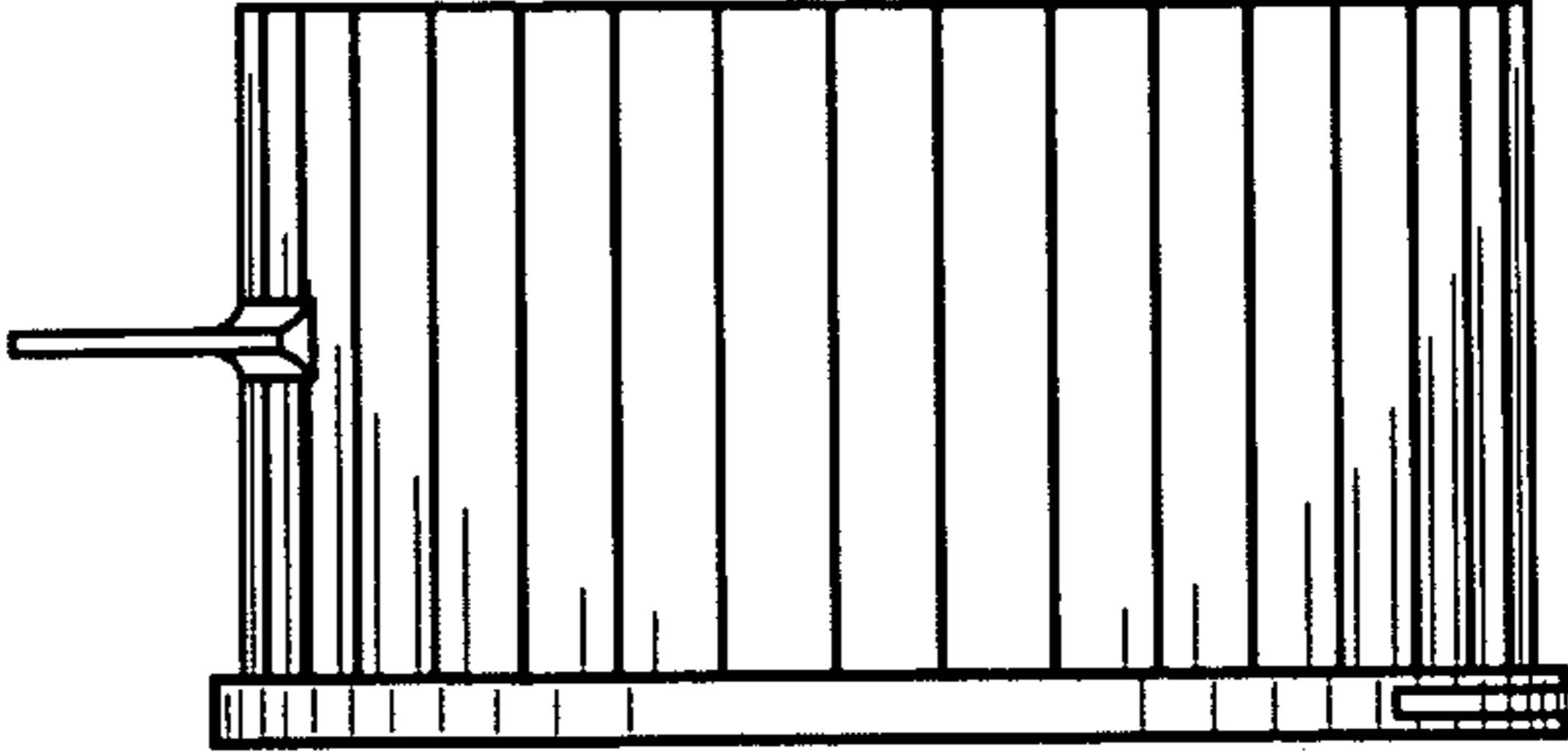


Fig. 3

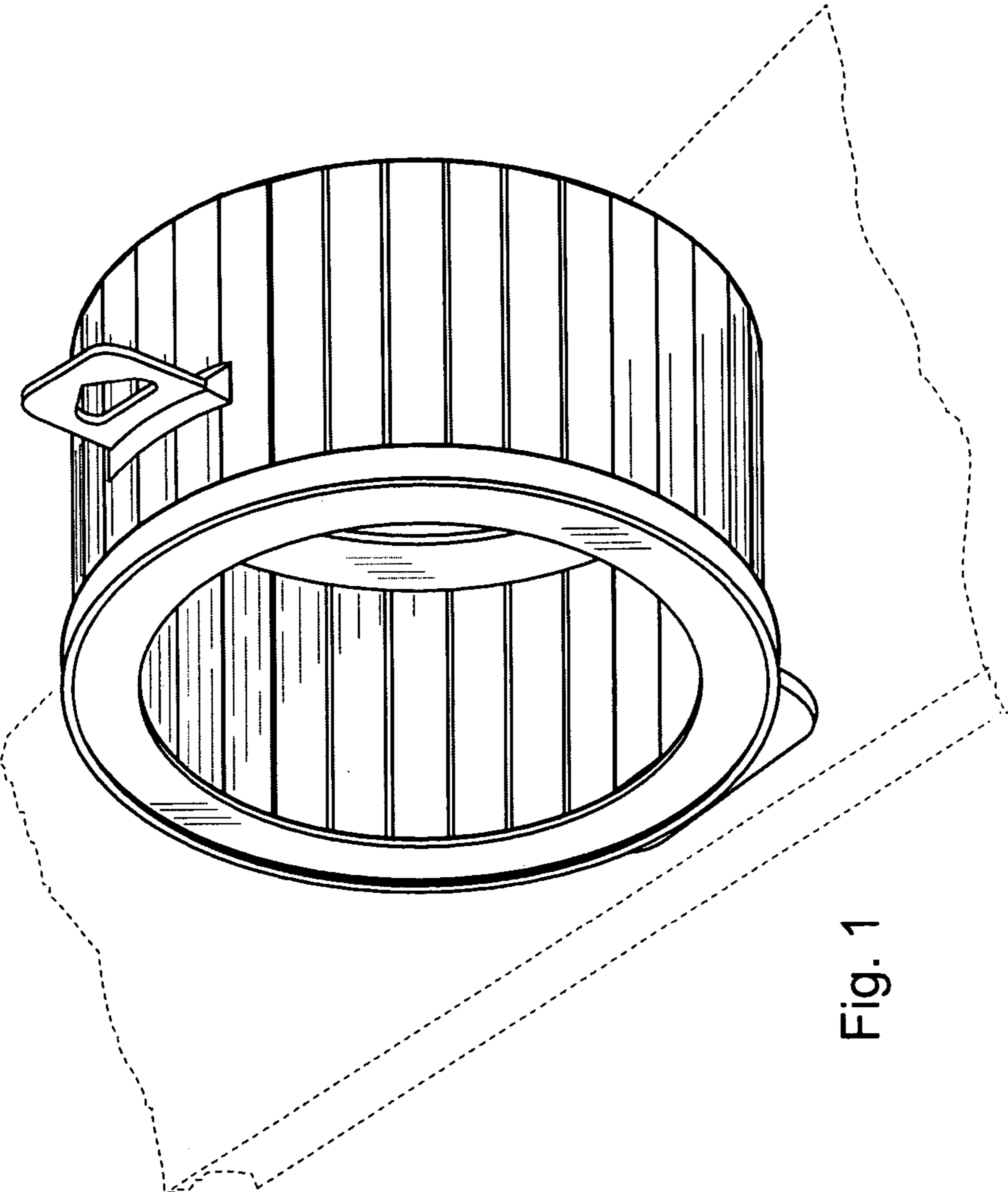


Fig. 1

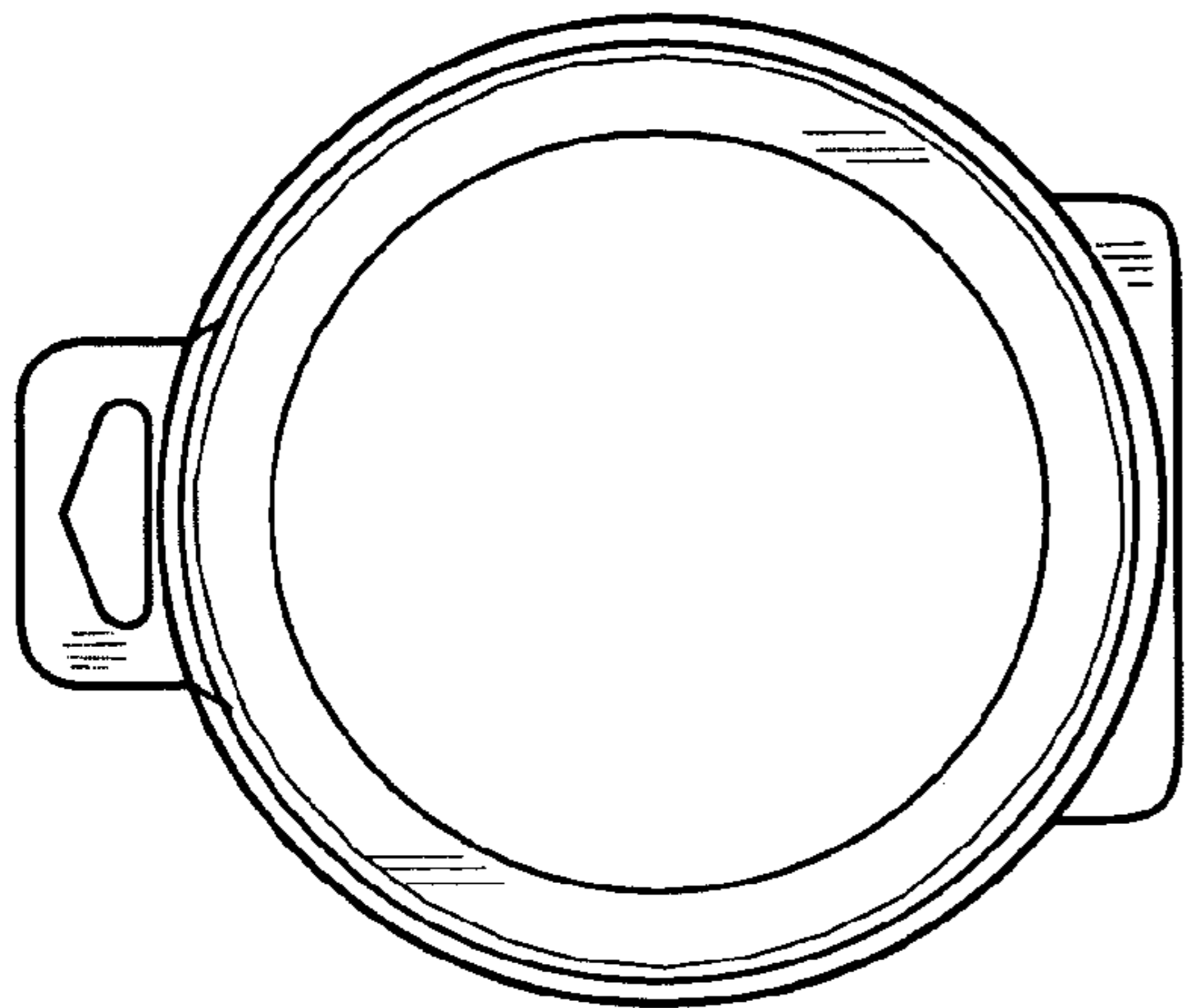


Fig. 5

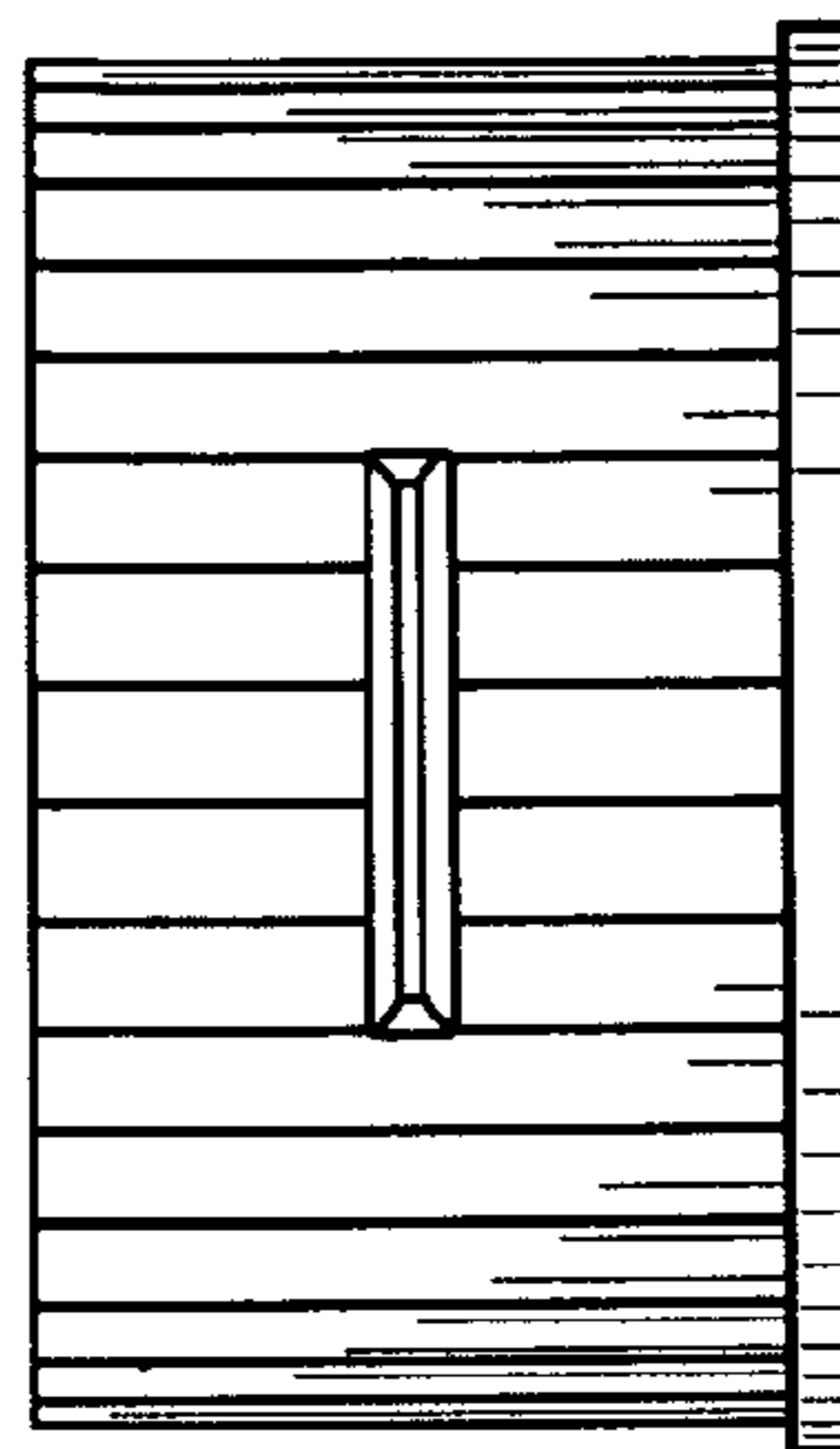


Fig. 7

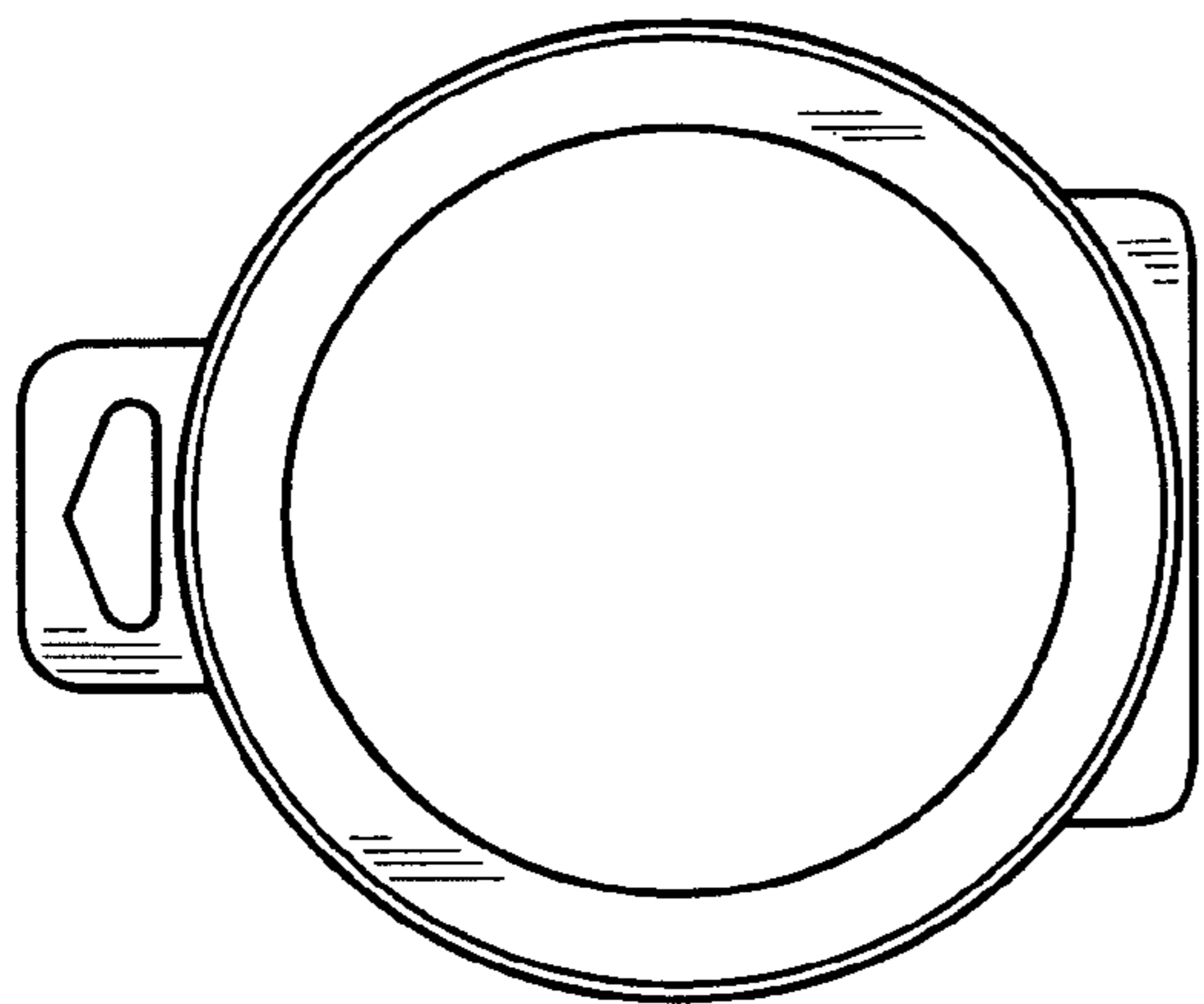


Fig. 4

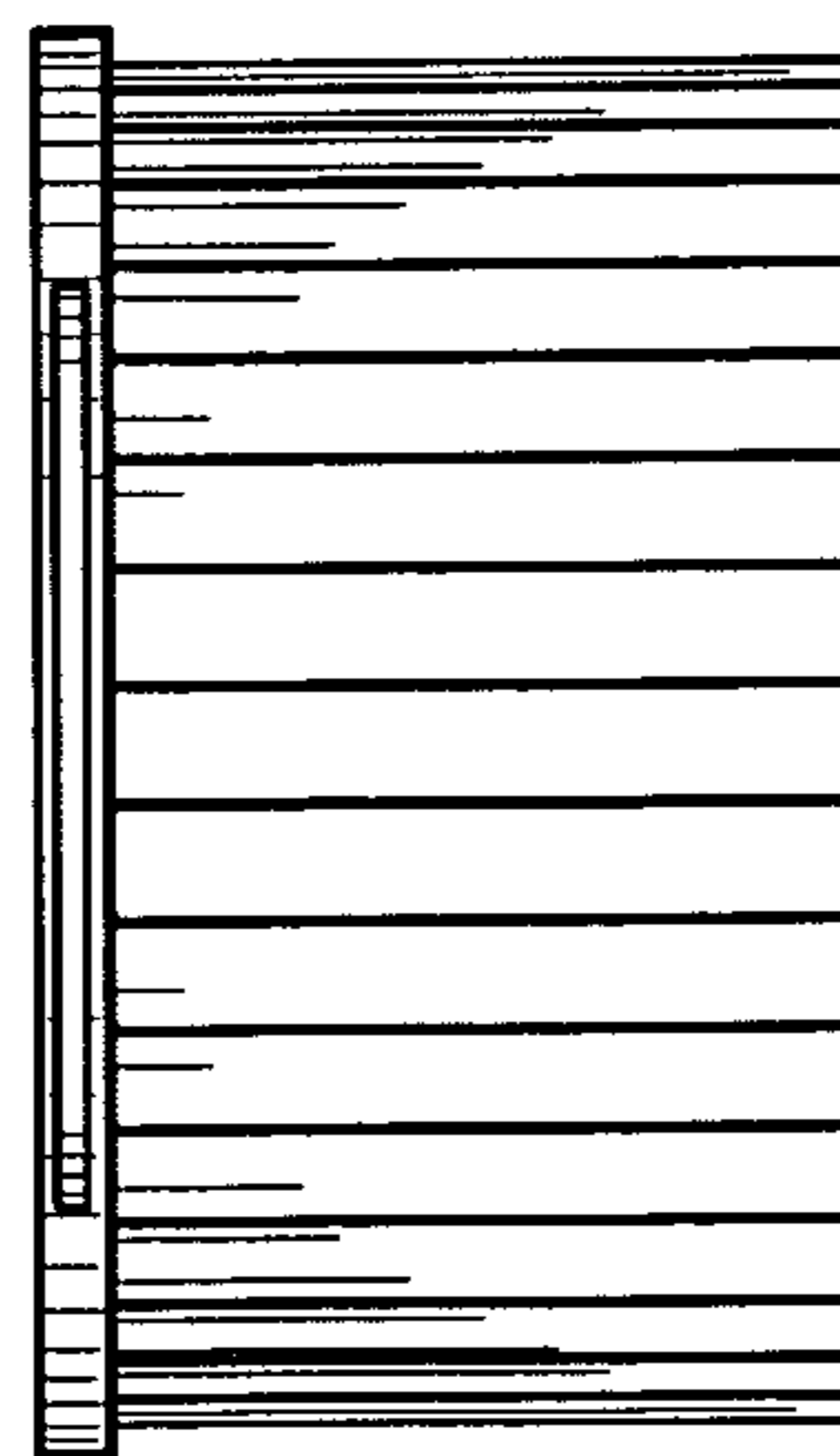


Fig. 6

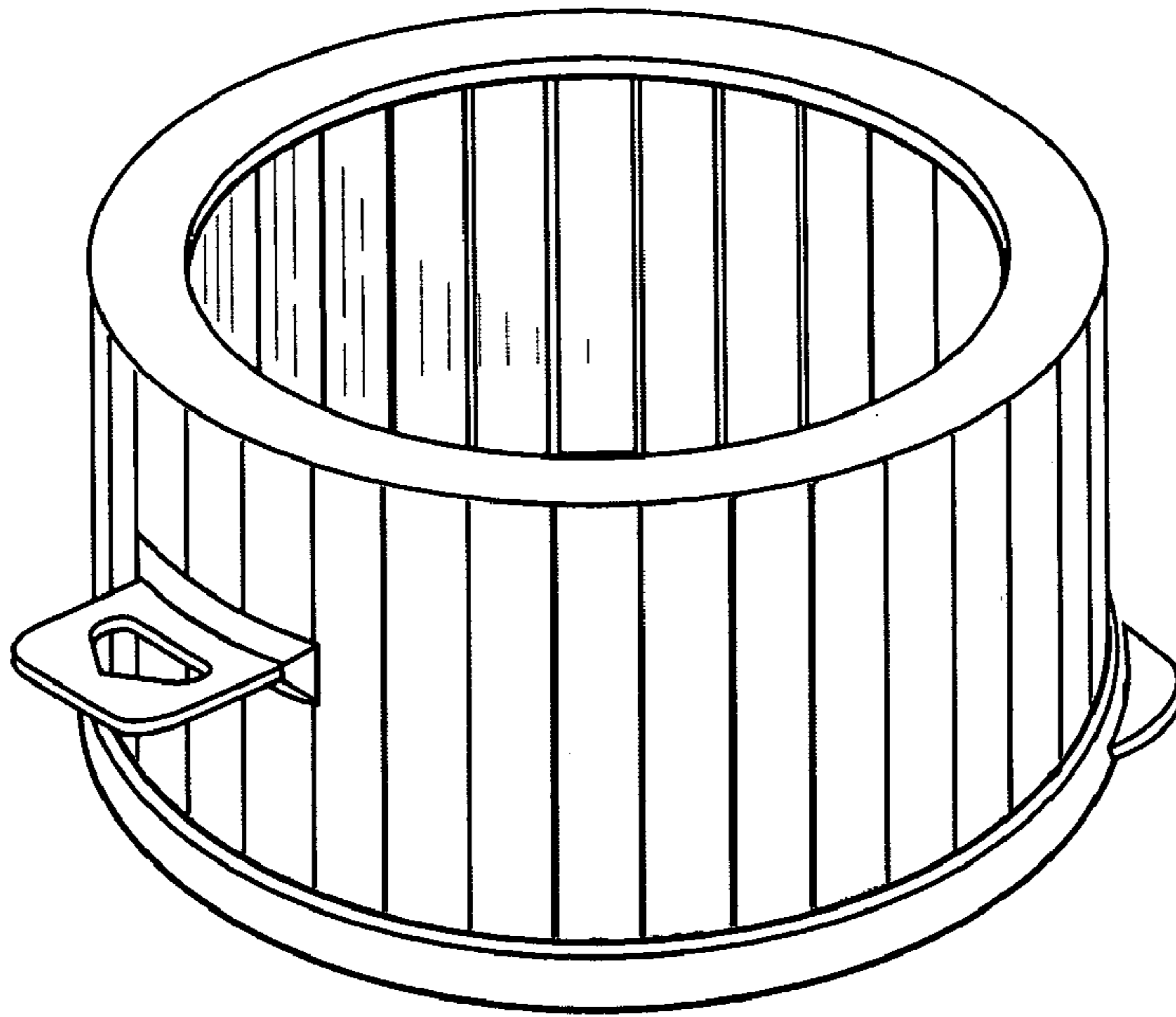


Fig. 8

UNITED STATES PATENT AND TRADEMARK OFFICE
CERTIFICATE OF CORRECTION

PATENT NO. : Des. 601,008 S
APPLICATION NO. : 29/329046
DATED : December 8, 2008
INVENTOR(S) : Terry Ali et al.

Page 1 of 1

It is certified that error appears in the above-identified patent and that said Letters Patent is hereby corrected as shown below:

On the cover page, item [73] Assignee, should read:

Assignee: Ali Industries Inc., Fairborn OH (US)

Signed and Sealed this

Tenth Day of November, 2009

A handwritten signature in black ink that reads "David J. Kappos". The signature is written in a cursive, slightly slanted style.

David J. Kappos
Director of the United States Patent and Trademark Office