



US00D601006S

(12) **United States Design Patent**
Boyd

(10) **Patent No.:** **US D601,006 S**
(45) **Date of Patent:** **** Sep. 29, 2009**

(54) **MODIFIED CEILING TILE EDGE SUPPORT CLIP**

6,260,325 B1 7/2001 Wendt et al.
6,318,042 B1 11/2001 Bloom et al.

(75) Inventor: **Alan L. Boyd**, Collegetown, PA (US)

(Continued)

(73) Assignee: **CertainTeed Corporation**, Valley Forge, PA (US)

FOREIGN PATENT DOCUMENTS

(**) Term: **14 Years**

(21) Appl. No.: **29/324,552**

EP	0 344 164	B1	12/1994
EP	0 555 193	B1	12/1996
EP	1 154 089	A1	11/2001
EP	1 154 088	A3	12/2001
EP	1 154 088	B1	7/2005
EP	1 154 089	B1	12/2007
WO	WO 01/27403	A1	4/2001
WO	WO 02/35030	A1	2/2002
WO	WO 2005/283192	A1	9/2005

(22) Filed: **Sep. 15, 2008**

(51) **LOC (9) Cl.** **08-08**

(52) **U.S. Cl.** **D8/395**

(58) **Field of Classification Search** D8/356,
D8/371, 394-396; 24/570; 248/74.2, 215,
248/227.1, 49, 300, 301, 316.7, 51, 489;
D19/65, 56; D25/58; 52/489.1, 489.2, 715,
52/DIG. 6, 288.1, 716.6, 718.04, 506.07
See application file for complete search history.

OTHER PUBLICATIONS

Ecophon, Focus Frost Ds™, undated, pp. 1-6.

(Continued)

Primary Examiner—T. Chase Nelson
Assistant Examiner—John Windmuller
(74) *Attorney, Agent, or Firm*—Duane Morris

(56) **References Cited**

U.S. PATENT DOCUMENTS

1,974,819	A *	9/1934	Koerner	52/765
D116,438	S *	8/1939	Wright	D8/395
2,831,222	A *	4/1958	Anderson	52/489.1
3,187,389	A *	6/1965	Anderson	52/489.1
3,298,646	A *	1/1967	Van Buren, Jr.	248/72
3,537,698	A *	11/1970	Callanan	269/98
3,784,144	A *	1/1974	Ollinger et al.	248/317
4,281,494	A *	8/1981	Weinar	52/489.2
4,314,433	A *	2/1982	Hulcombe	52/521
D286,976	S *	12/1986	Steck et al.	D8/394
4,742,662	A	5/1988	Smith	
D296,186	S *	6/1988	Korn	D8/346
5,588,166	A *	12/1996	Burnett	5/503.1
D400,718	S *	11/1998	Bortolus	D6/328
5,836,127	A	11/1998	Clark et al.	
5,893,249	A	4/1999	Peterson et al.	
6,108,994	A	8/2000	Bodine	
D433,563	S *	11/2000	Capanna et al.	D3/215
6,230,463	B1	5/2001	Bodine	

(57) **CLAIM**

The ornamental design for a modified ceiling tile edge support clip, as shown and described.

DESCRIPTION

FIG. 1 is a front bottom perspective view of a modified ceiling tile edge support clip of the present invention showing my original design;

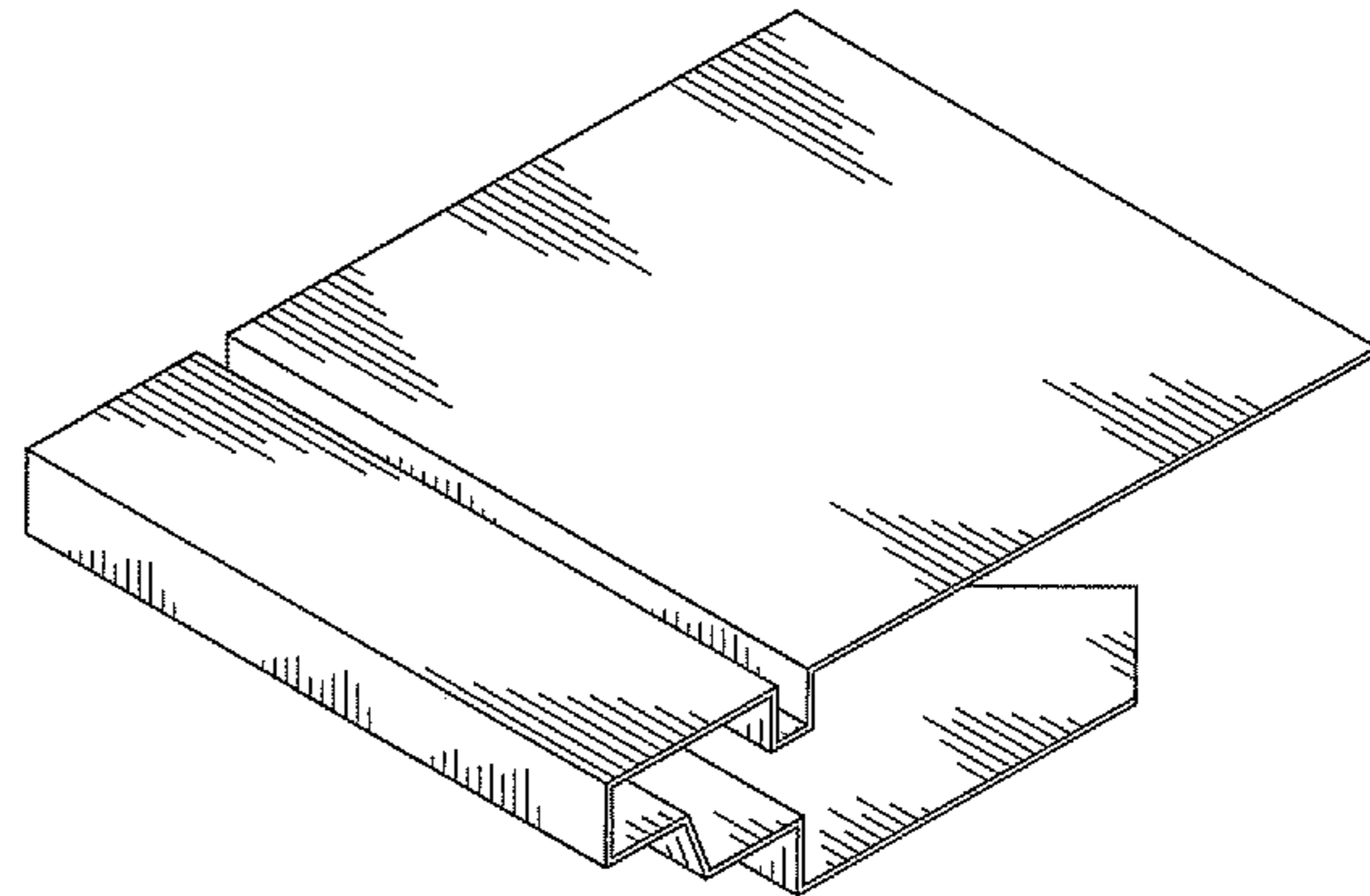
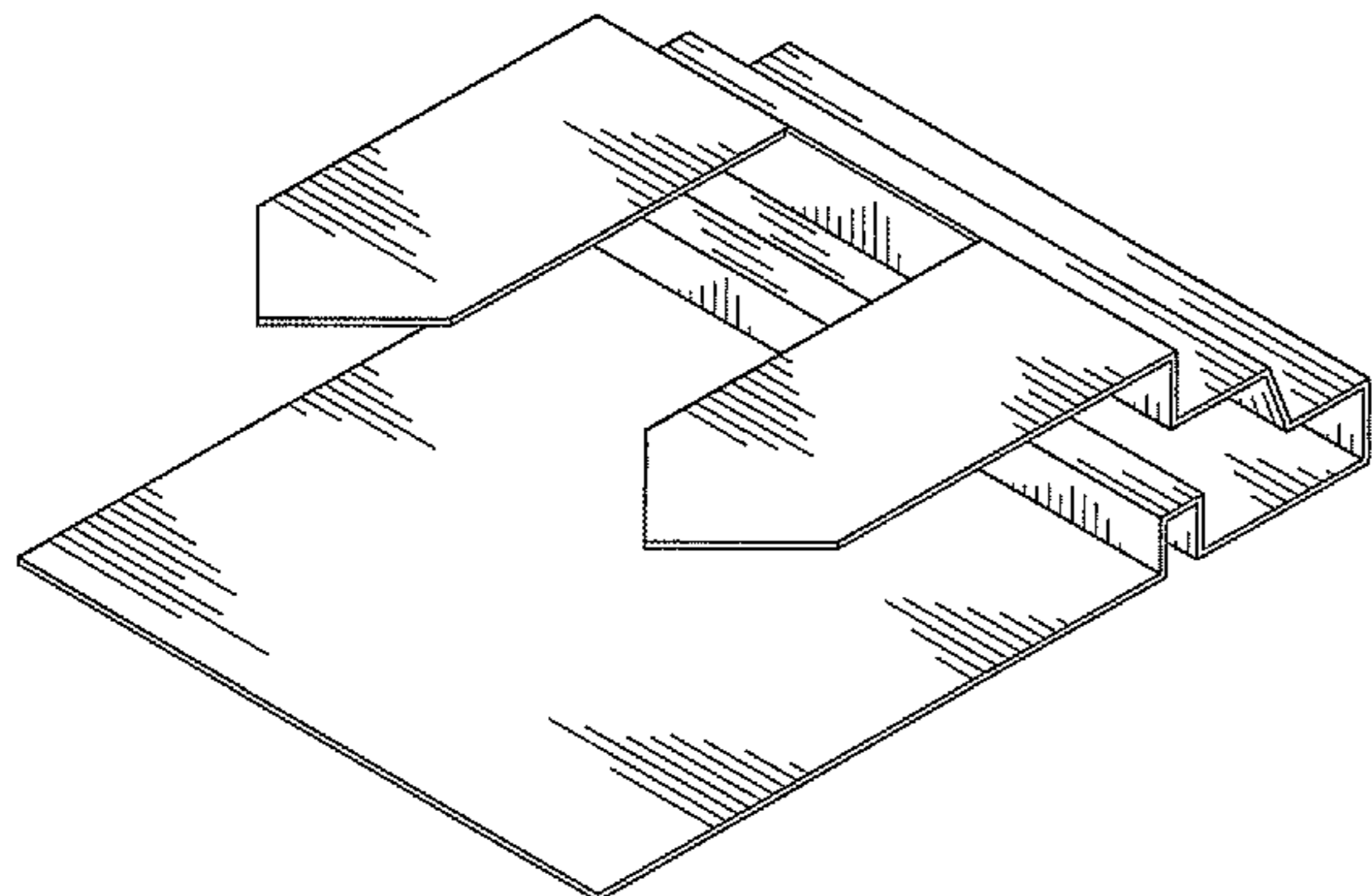
FIG. 2 is a rear bottom perspective view of the modified ceiling tile edge support clip of FIG. 1;

FIG. 3 is a front top perspective view of the modified ceiling tile edge support clip of FIG. 1;

FIG. 4 is a rear top perspective view of the modified ceiling tile edge support clip of FIG. 1; and,

FIG. 5 is a right side elevation view of the modified ceiling tile edge support clip of FIG. 1.

1 Claim, 3 Drawing Sheets



US D601,006 S

Page 2

U.S. PATENT DOCUMENTS

6,378,828 B1 * 4/2002 Valiulis et al. 248/231.81
6,389,771 B1 5/2002 Moller
6,510,592 B1 * 1/2003 Hamilton 24/170
D478,501 S * 8/2003 Yoko D8/395
6,880,306 B2 4/2005 Burken et al.
7,004,436 B2 * 2/2006 Knapp 248/220.22
D522,351 S * 6/2006 Taylor et al. D8/394
7,062,886 B2 6/2006 Auriemma
D553,969 S * 10/2007 Allsopp D8/394
D586,718 S * 2/2009 Morita et al. D12/223
2008/0256879 A1 10/2008 Babineau

OTHER PUBLICATIONS

Ecophon, Focus Elite, the floating ceiling, Oct. 1992, pp. 1-6.
Amendment in U.S. Appl. No. 09/141,407, Feb. 1, 2000, pp. 1-17.
Amendment in U.S. Appl. No. 09/571,785, Nov. 30, 2000, pp. 1-9.
Preliminary Amendment to U.S. Appl. No. 09/571,785, Jun. 12, 2000, pp. 1-4.
PTO Office Action in U.S. Appl. No. 09/571,785, Aug. 30, 2000, pp. 1-5.
PTO Interview Summary, U.S. Appl. No. 09/141,407, Jan. 10, 2000, 1 page.
Interlocutory decision dated Dec. 28, 2006 in 99-115-715.7, Armstrong World Industries, Inc.

* cited by examiner

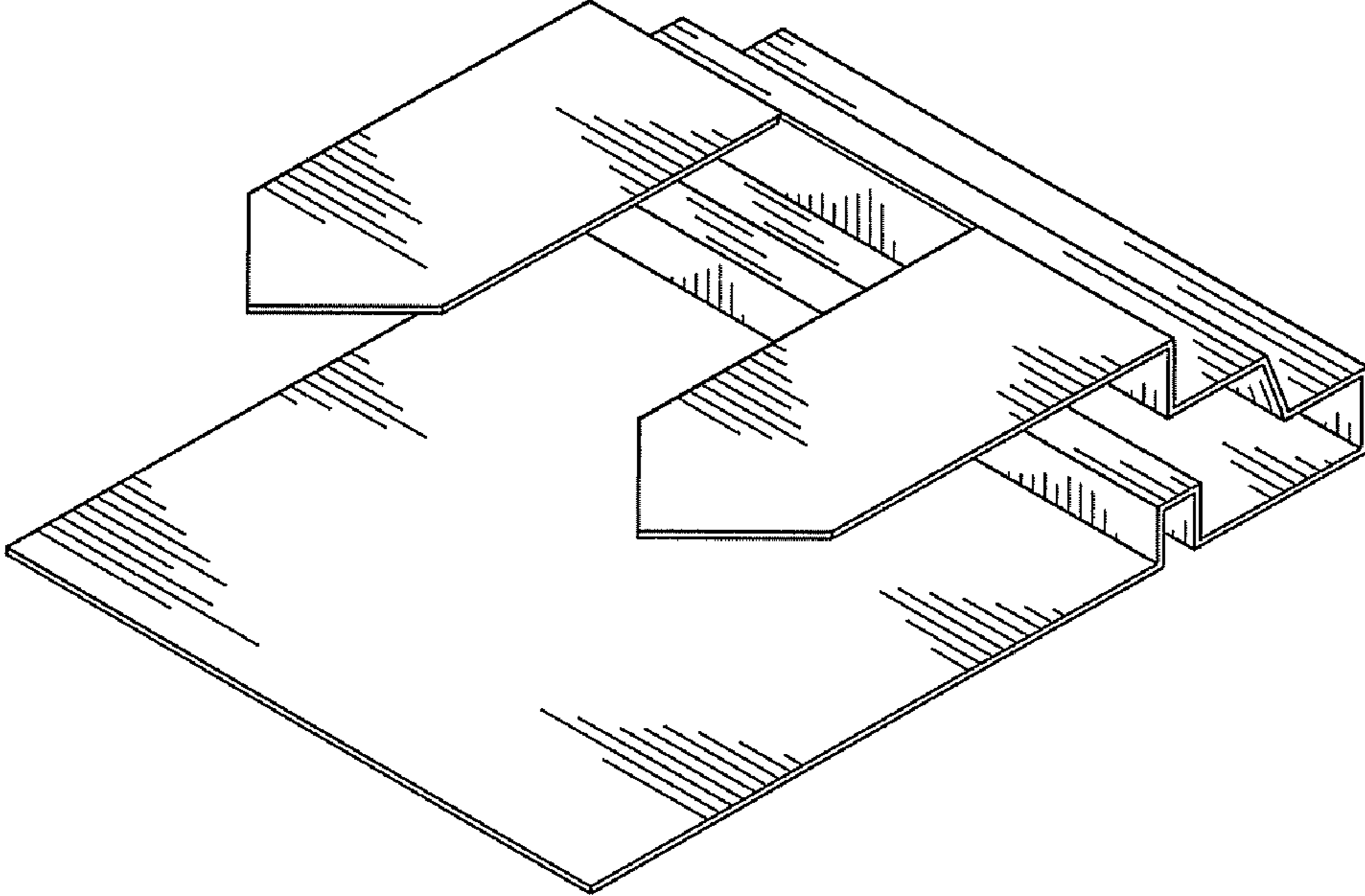


FIG. 1

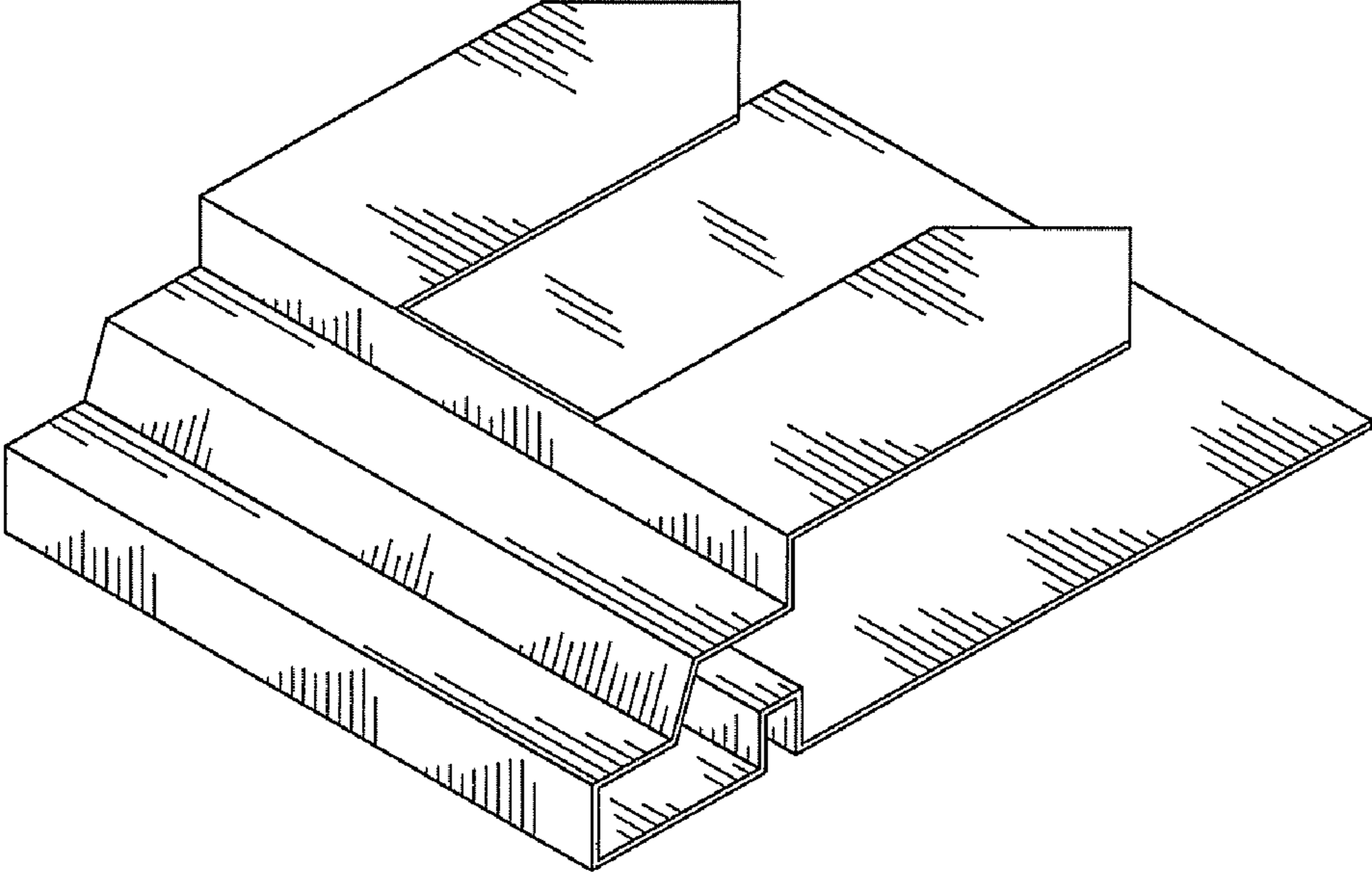


FIG. 2

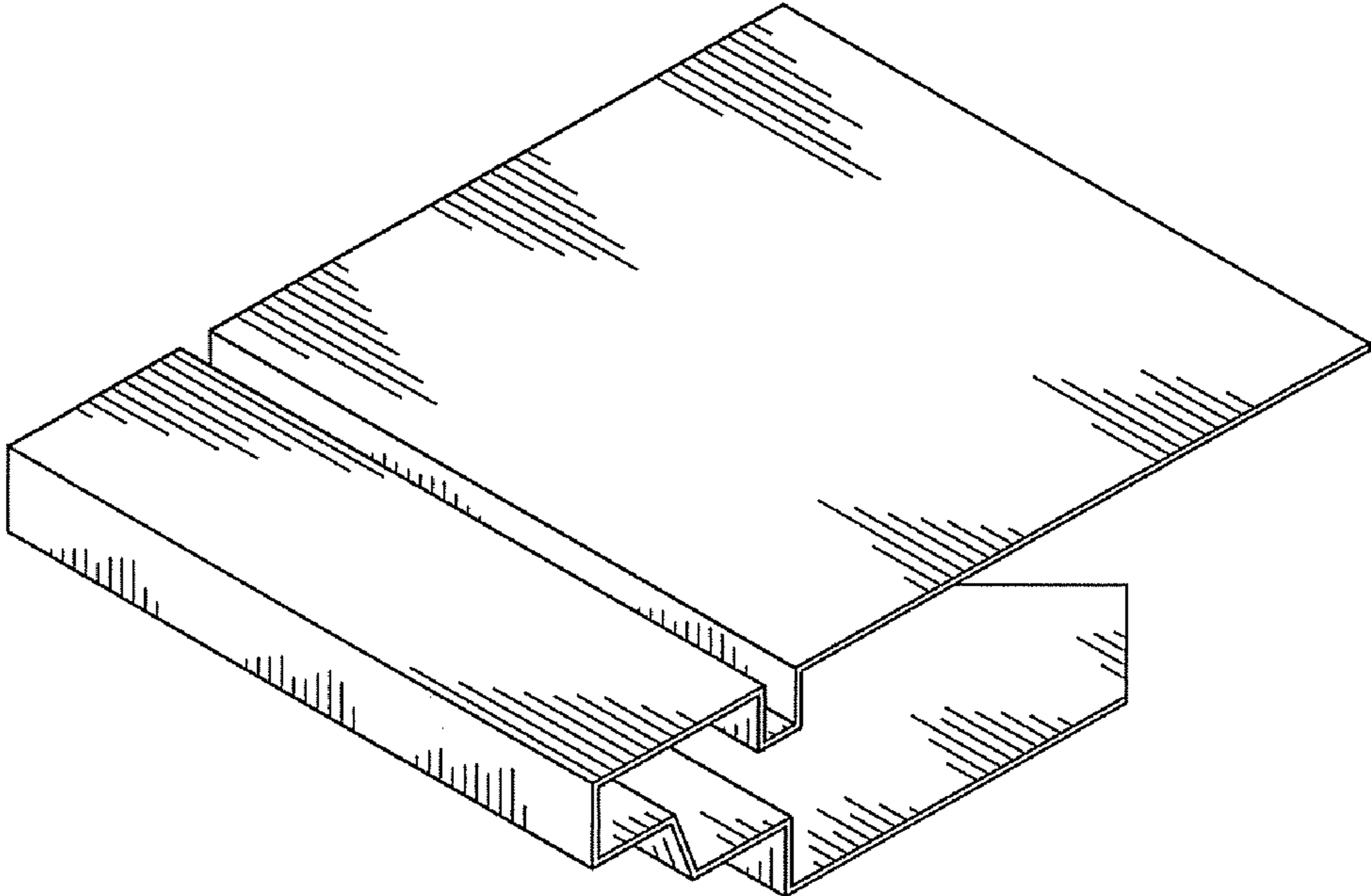


FIG. 3

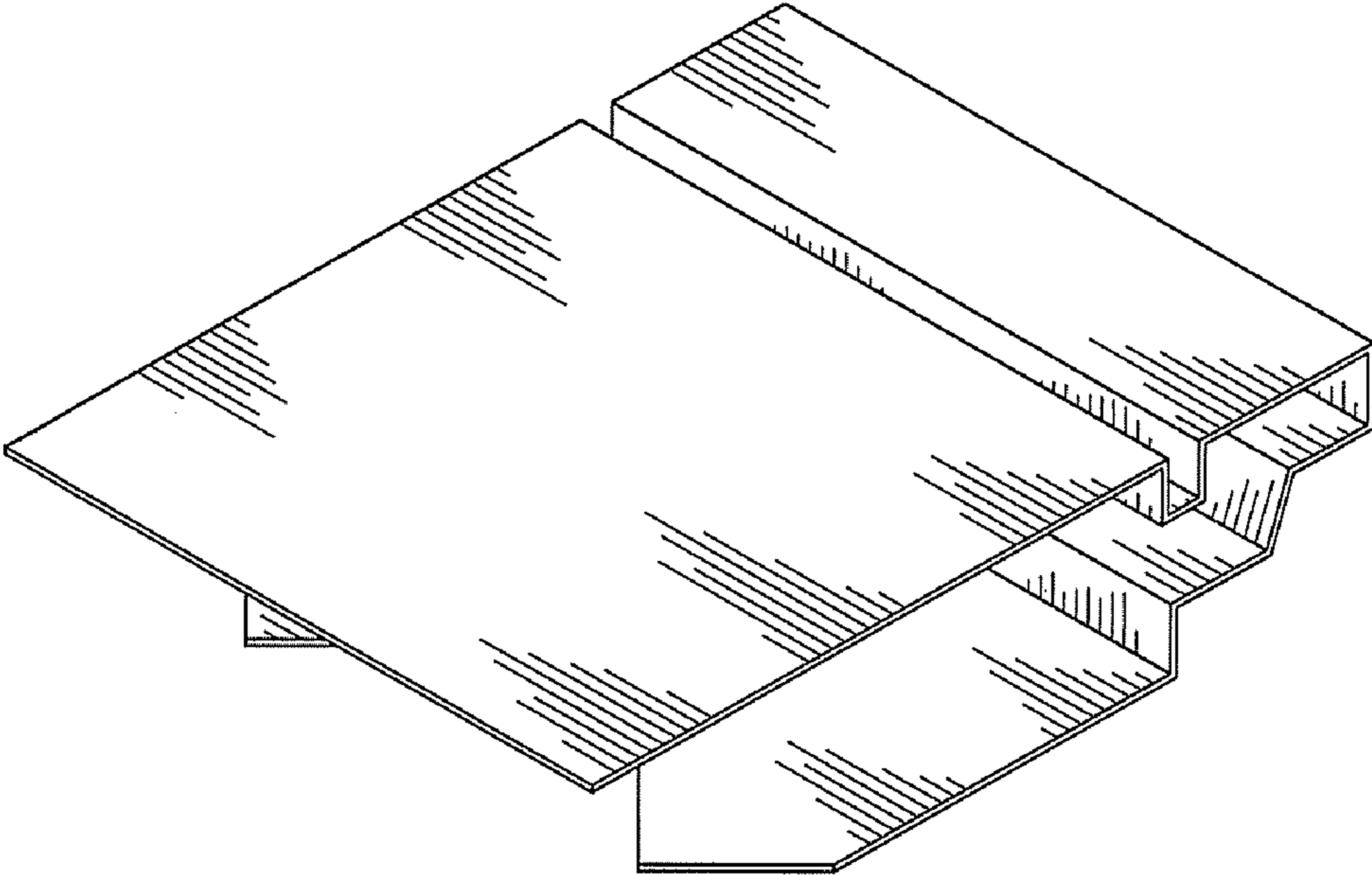


FIG. 4

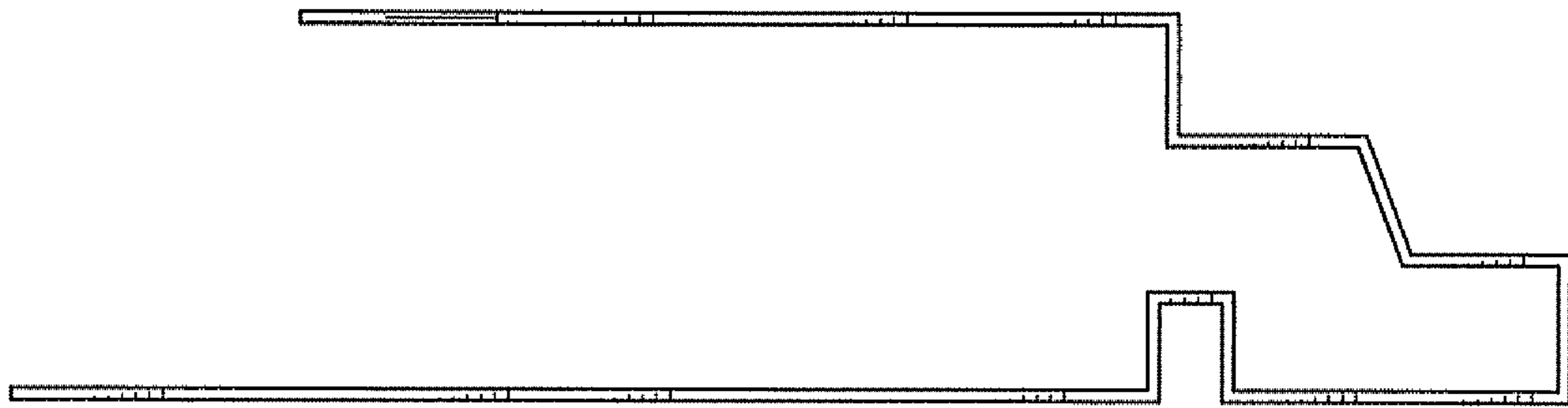


FIG. 5