

US00D601004S

(12) **United States Design Patent**
Hagins

(10) **Patent No.:** **US D601,004 S**

(45) **Date of Patent:** **** Sep. 29, 2009**

(54) **HEAD SCREW**

(76) **Inventor:** **Tyrone Hagins**, 805 Diploma Ct.,
Virginia Beach, VA (US) 23462

(**) **Term:** **14 Years**

(21) **Appl. No.:** **29/312,014**

(22) **Filed:** **Sep. 26, 2008**

(51) **LOC (9) Cl.** **08-08**

(52) **U.S. Cl.** **D8/387**

(58) **Field of Classification Search** D8/387,
D8/388, 391, 393; 411/402, 403, 405, 382,
411/481, 387.1, 388, 378, 393, 411

See application file for complete search history.

(56) **References Cited**

U.S. PATENT DOCUMENTS

D104,473	S *	5/1937	Phillips	D8/387
4,581,871	A *	4/1986	Blucher et al.	52/681
5,882,162	A *	3/1999	Kaneko	411/411
6,116,834	A *	9/2000	Dorris	411/404
6,419,436	B1 *	7/2002	Gaudron	411/426
7,063,491	B2 *	6/2006	French	411/387.8

7,101,133	B2 *	9/2006	Dicke	411/387.4
D549,088	S *	8/2007	Gallien	D8/387
D567,644	S *	4/2008	Liu	D8/387
D581,776	S *	12/2008	Yin-Feng	D8/387
D585,731	S *	2/2009	Carrillo et al.	D8/387

* cited by examiner

Primary Examiner—Holly H Baynham

Assistant Examiner—Sheryl Lane

(74) *Attorney, Agent, or Firm*—William G. Sykes

(57) **CLAIM**

The ornamental design for a head screw, as shown and described.

DESCRIPTION

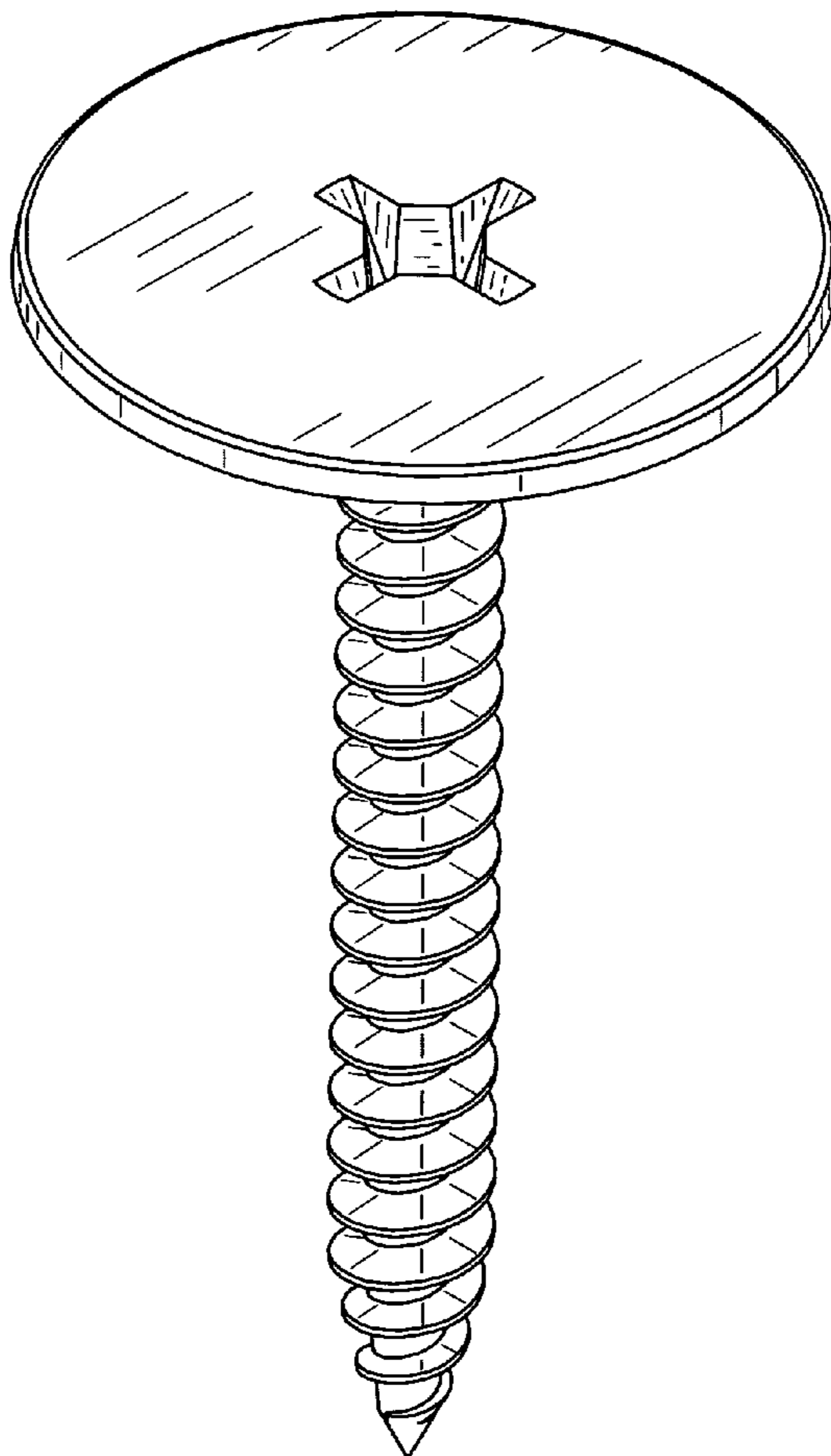
FIG. 1 is a front isometric view of a head screw of my new design;

FIG. 2 is a front view (the back view and side views are the same shape) thereof;

FIG. 3 is top view thereof; and,

FIG. 4 is bottom view thereof.

1 Claim, 4 Drawing Sheets



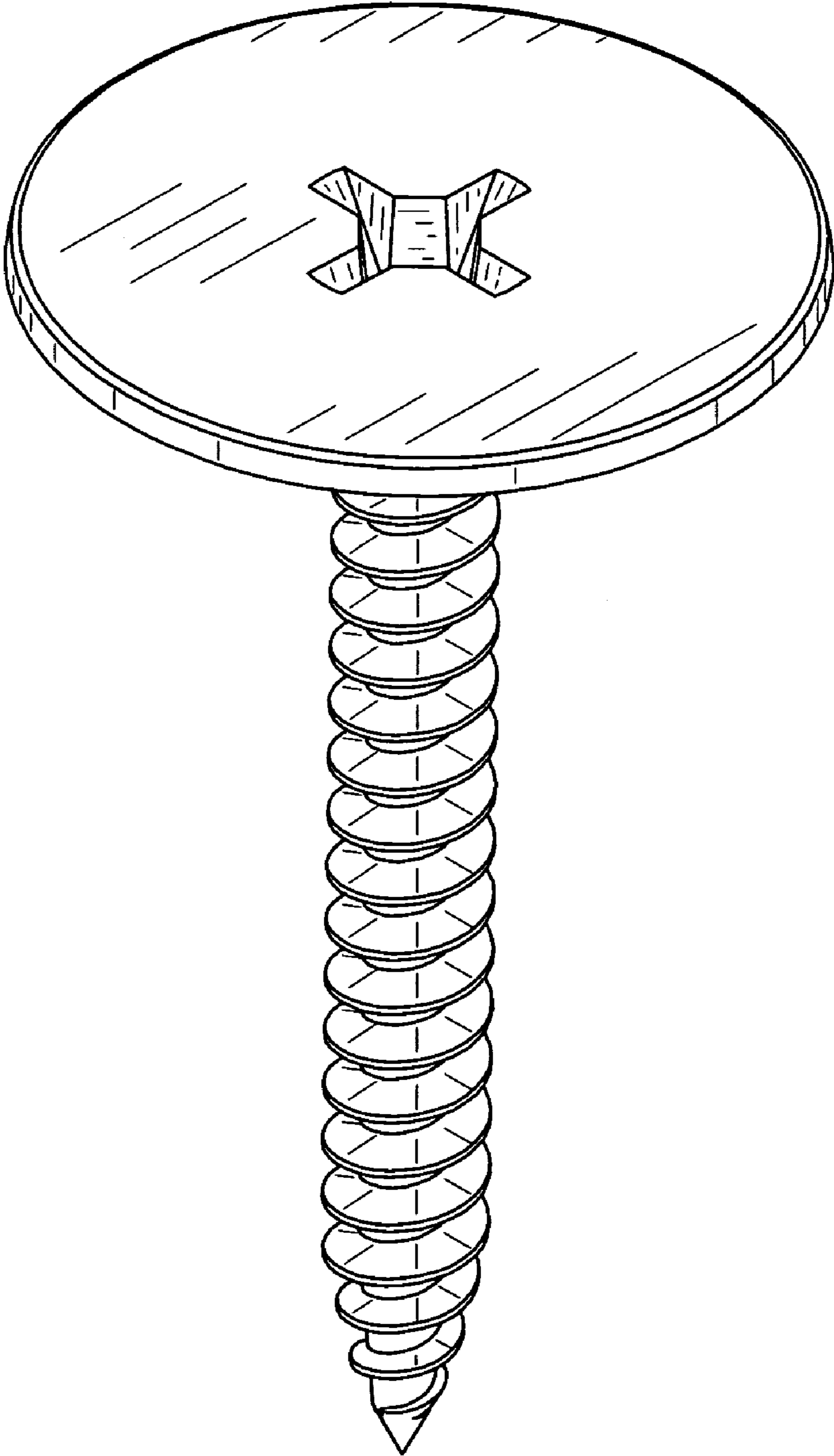


Fig. 1

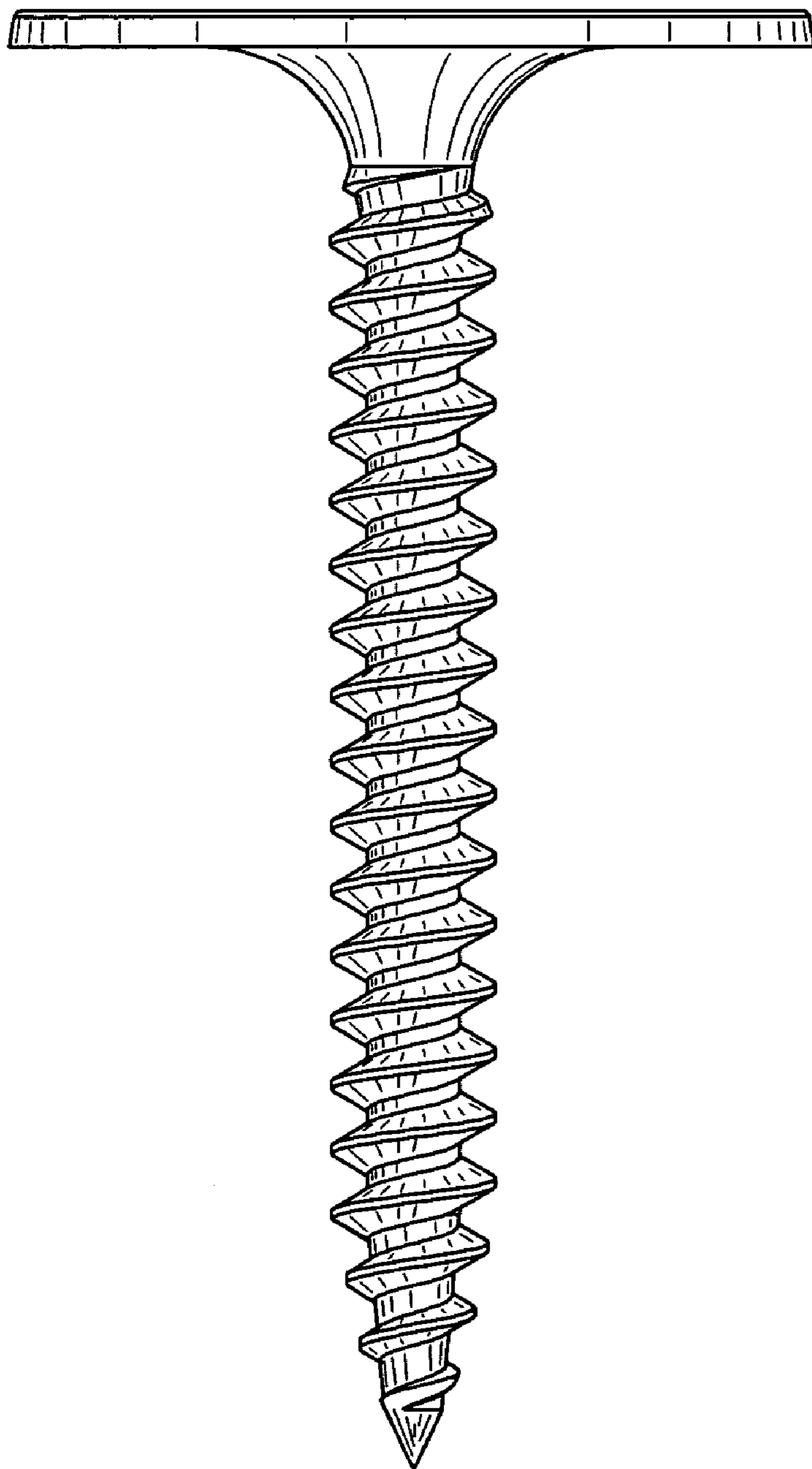


Fig. 2

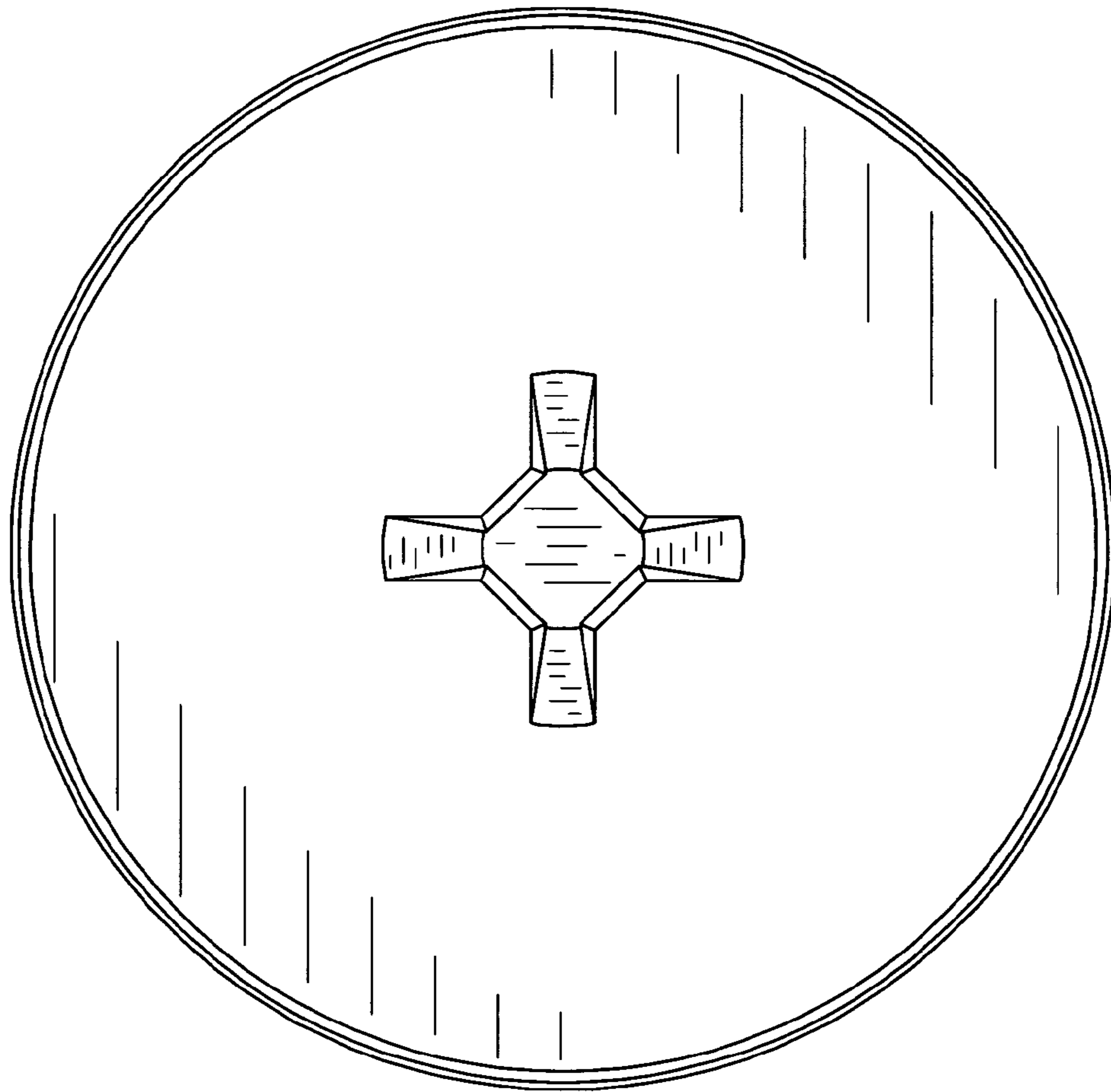


Fig. 3

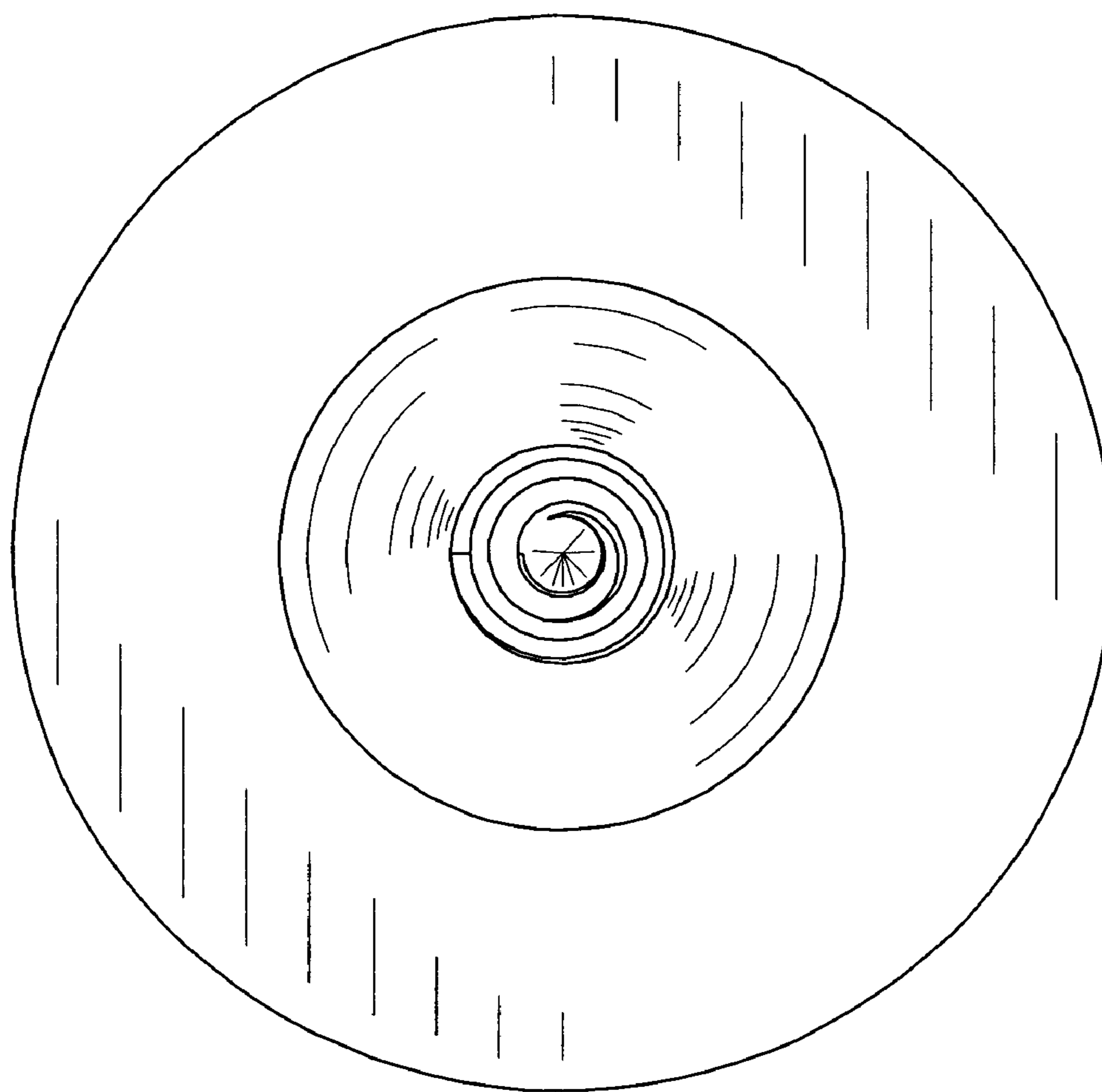


Fig. 4