



US00D601000S

(12) **United States Design Patent**
Cole et al.

(10) **Patent No.:** **US D601,000 S**

(45) **Date of Patent:** **** Sep. 29, 2009**

(54) **RIGID WALL PANEL CLIP**

D582,259 S * 12/2008 DeBiasio, Jr. D8/363

(76) Inventors: **Kenneth R. Cole**, Rt. 2 Box 2138,
Cassville, MO (US) 65625; **John Ray**
Cole, Rt. 2 Box 2138, Cassville, MO
(US) 65625

* cited by examiner

Primary Examiner—Holly H Baynham

Assistant Examiner—Cynthia M Chin

(74) *Attorney, Agent, or Firm*—Mark Murphey Henry

(**) Term: **14 Years**

(57) **CLAIM**

(21) Appl. No.: **29/324,070**

The ornamental design of a rigid wall panel clip, as shown and described.

(22) Filed: **Sep. 5, 2008**

DESCRIPTION

(51) **LOC (9) Cl.** **08-05**

FIG. 1 is a perspective view of the rigid wall panel clip.

(52) **U.S. Cl.** **D8/349; D8/382**

FIG. 2 is a top view of the rigid wall panel clip.

(58) **Field of Classification Search** D8/349,
D8/354, 363, 373, 382, 394, 395; D25/119,
D25/121, 124, 125, 136, 138; 52/238.1–243.1,
52/394, 395, 578–582.1, 589.1; D13/155
See application file for complete search history.

FIG. 3 is a side view of the rigid wall panel clip taken from the bottom of FIG. 2.

FIG. 4 is another side view of the rigid wall panel clip taken from the right of FIG. 2.

FIG. 5 is the opposite side view of FIG. 3 of the rigid wall panel clip taken from the top of FIG. 2; and,

FIG. 6 is the opposite side view of FIG. 4 of the rigid wall panel clip taken from the left of FIG. 2.

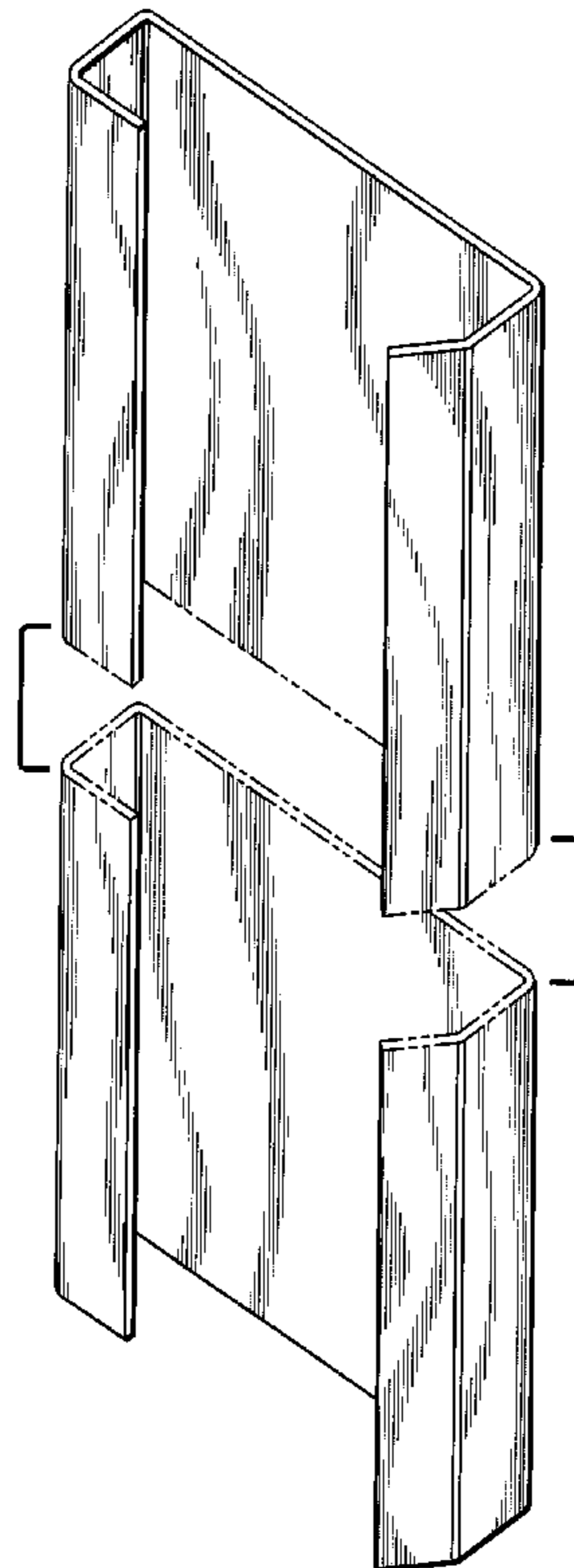
(56) **References Cited**

U.S. PATENT DOCUMENTS

4,400,922	A *	8/1983	Boyer	52/394
D373,068	S *	8/1996	Airey	D8/349
D379,237	S *	5/1997	Leonelli	D25/119
D402,263	S *	12/1998	Scherer et al.	D13/155
D420,149	S *	2/2000	Hersh et al.	D25/119
D462,601	S *	9/2002	Chaney	D8/354
D489,828	S *	5/2004	Barnett	D25/119
D575,631	S *	8/2008	Huang	D8/354

FIGS. 1 and 3–6 have been shown broken away for ease and clarity of illustration. The broken lines immediately adjacent the shaded areas in FIGS. 1 and 3–6 represent the bounds of the claim and the broken lines in FIG. 2 represent the environment in which the design resides. None of the broken lines form a part of the claimed design.

1 Claim, 4 Drawing Sheets



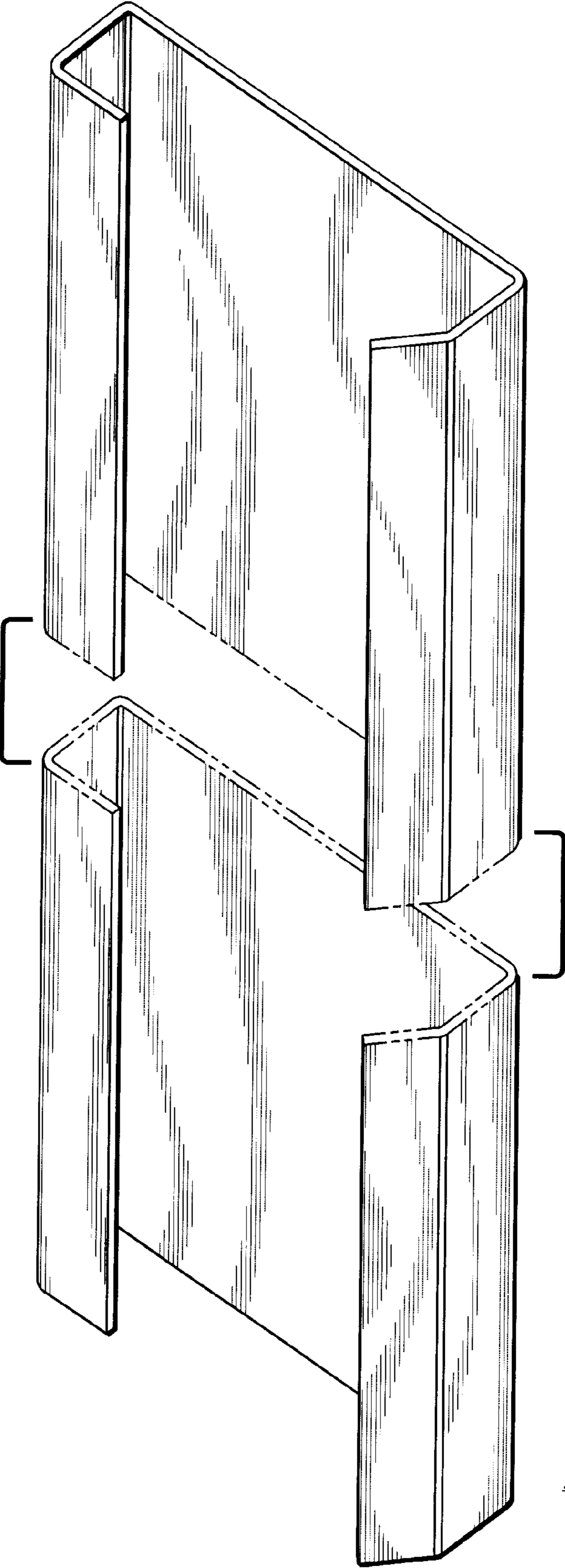


FIG. 1

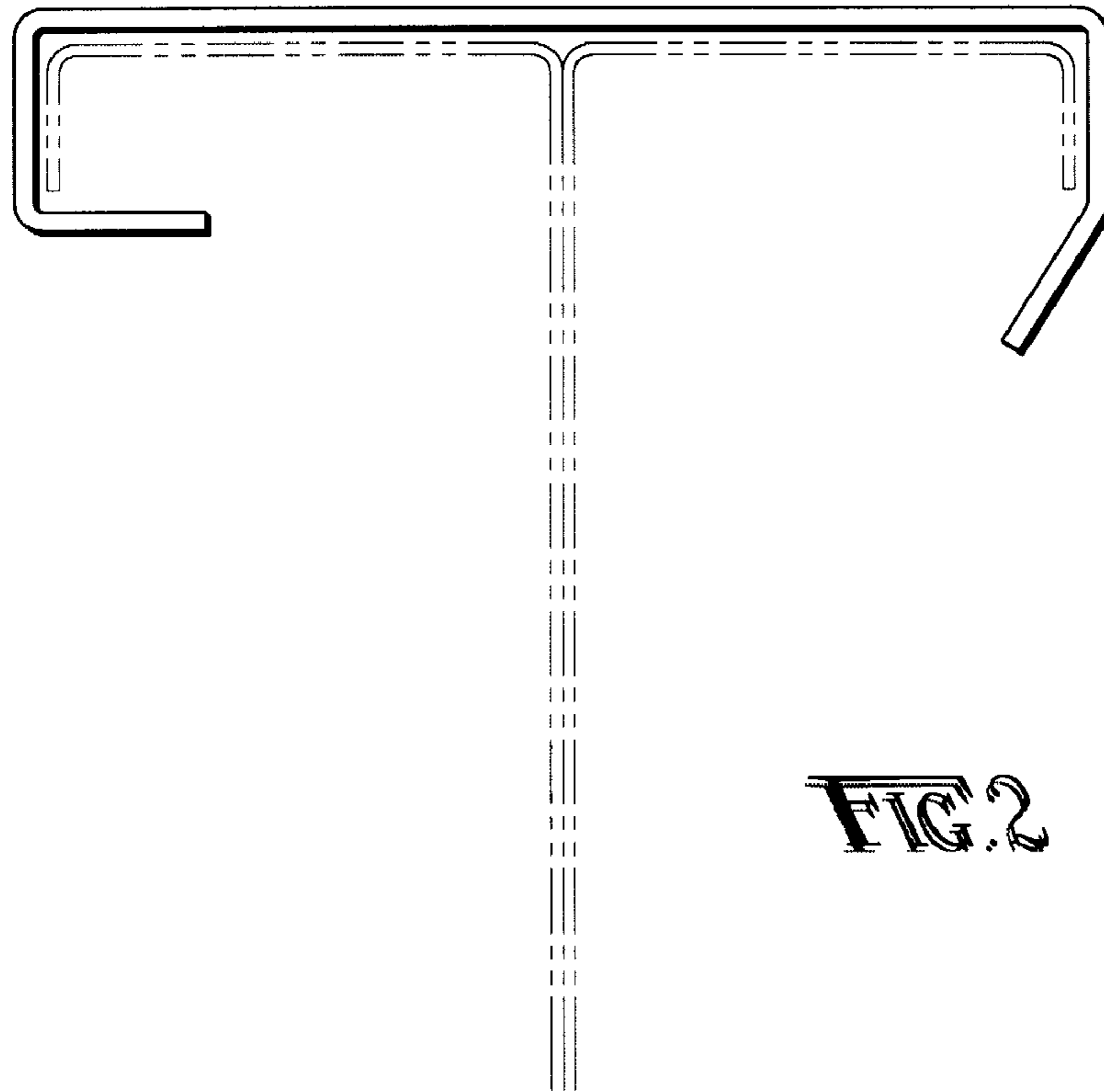


FIG. 2

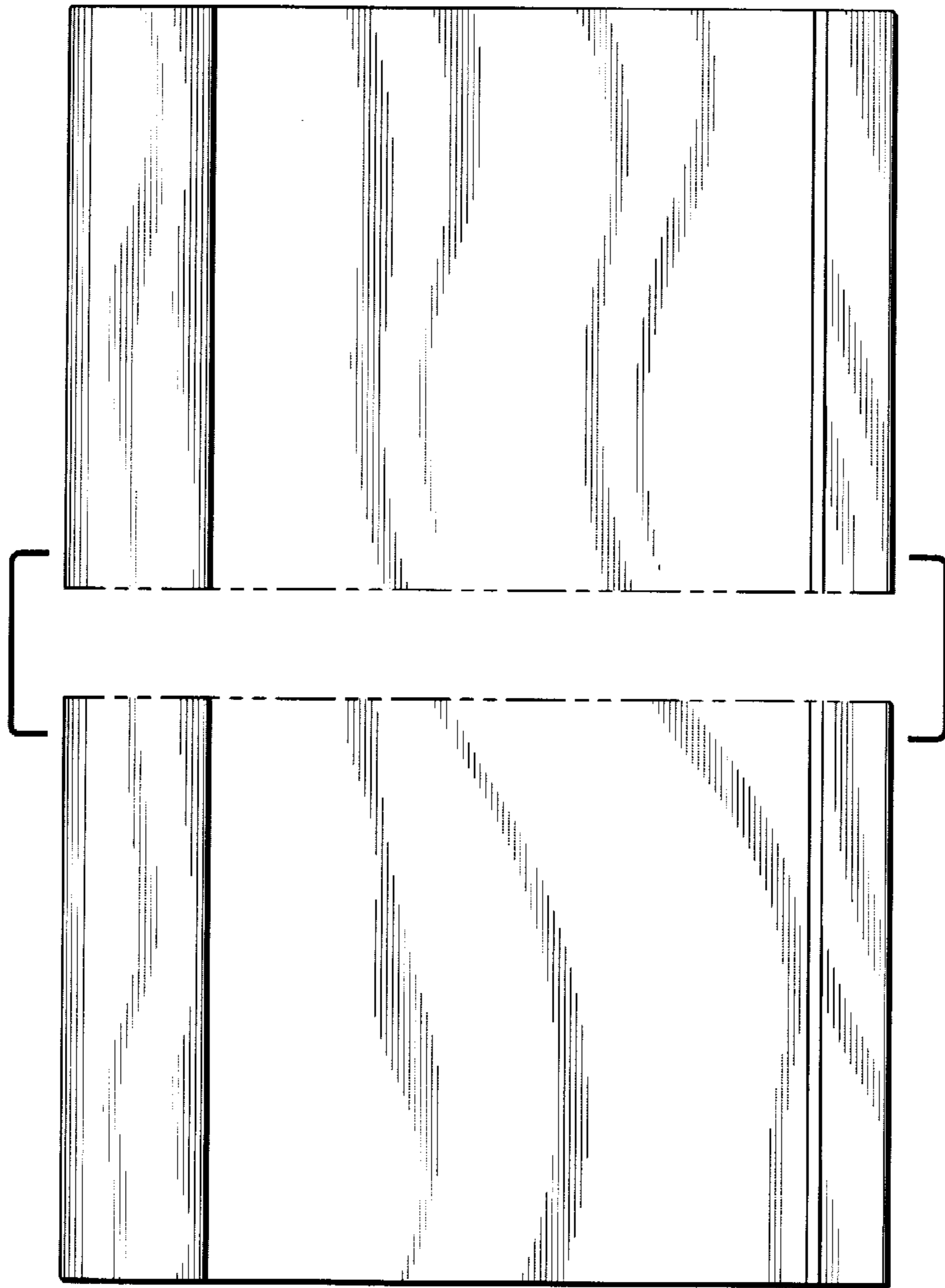


FIG. 3

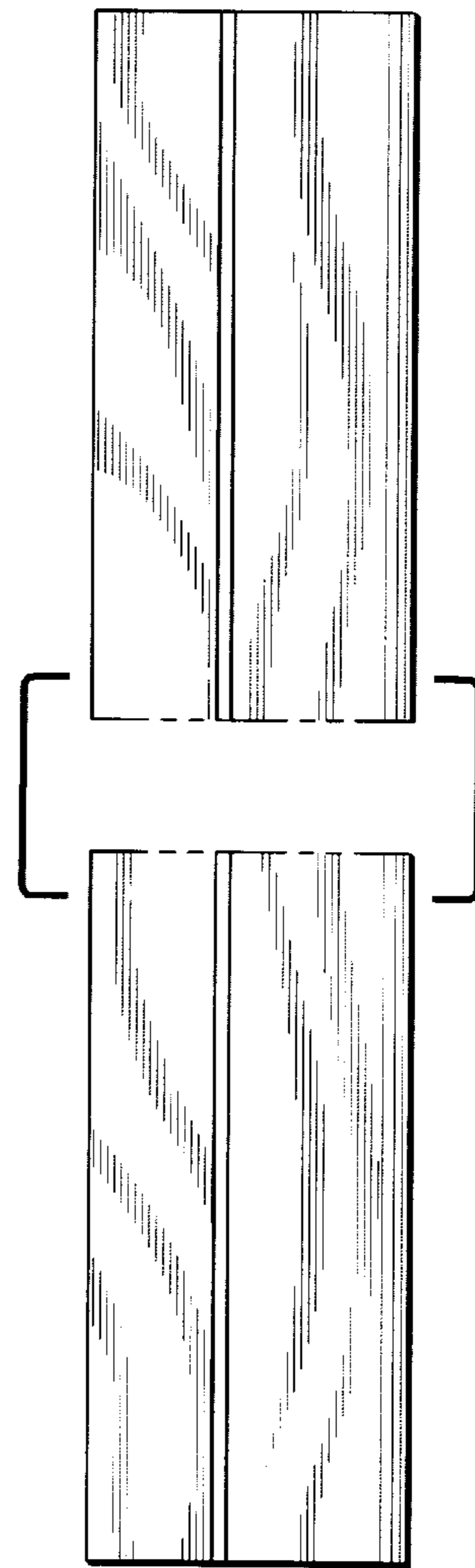


FIG. 4

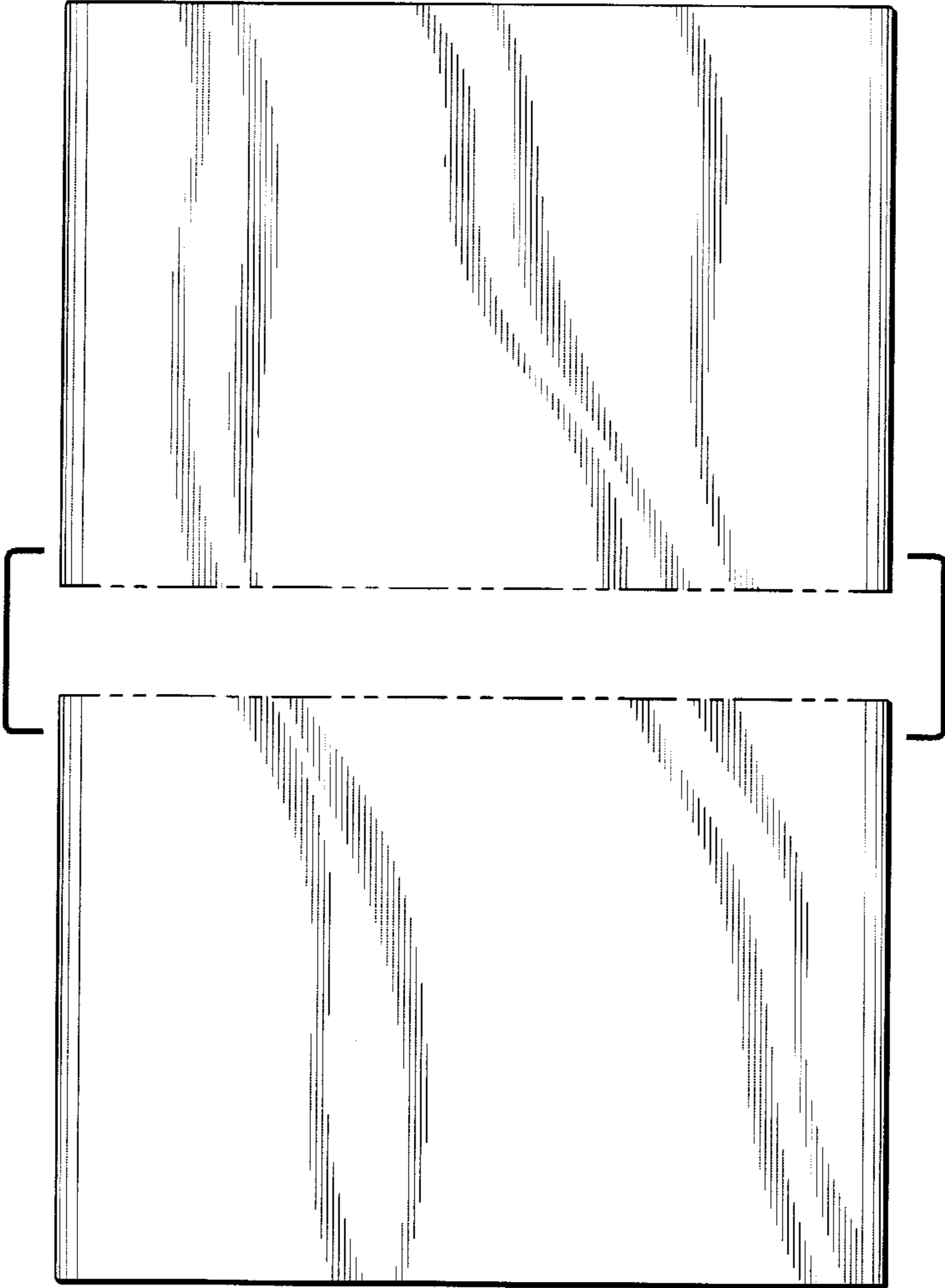


FIG. 5

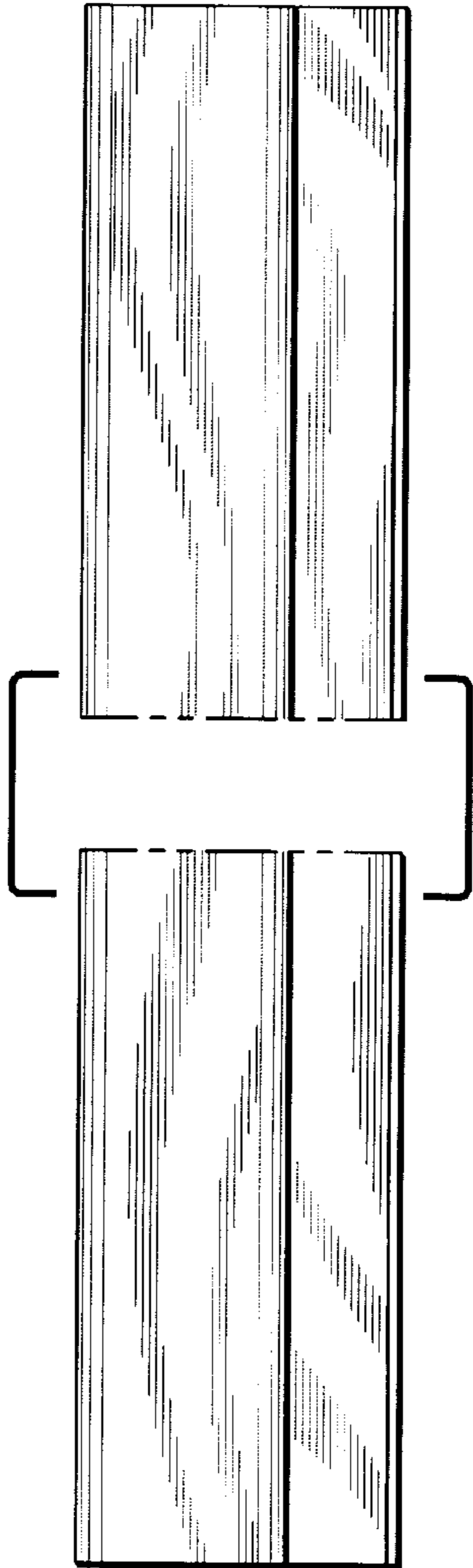


FIG. 6