



US00D600996S

(12) **United States Design Patent**  
**Sterling**

(10) **Patent No.:** **US D600,996 S**

(45) **Date of Patent:** **\*\* Sep. 29, 2009**

(54) **HANDLE FOR A POWER TOOL**

(75) Inventor: **Robert E. Sterling**, Colbert, WA (US)

(73) Assignee: **Exhaust Technologies, Inc.**, Spokane, WA (US)

(\*\*) Term: **14 Years**

(21) Appl. No.: **29/325,008**

(22) Filed: **Sep. 24, 2008**

(51) **LOC (9) Cl.** ..... **08-05**

(52) **U.S. Cl.** ..... **D8/107; D8/68**

(58) **Field of Classification Search** ..... D8/14,  
D8/14.1, 21, 25, 29, 45, 51, 61-70, 82-87,  
D8/107, 300, 313, DIG. 1; D7/394-395,  
D7/649, 393; D15/17, 18; D32/46; 16/110.1,  
16/111.1, 422, 430-431, 11 R, 111 R, 114,  
16/116, 421, 436; 81/177.1-177.7, 177.85,  
81/489, 20, 439-440, 180.1, 436, 57.11,  
81/429, 464, 465, 466, 469; 7/151; 15/235.4,  
15/235.6, 235.8; 294/55; 173/13, 169, 178,  
173/213, 217; 227/8, 114, 120, 130, 136,  
227/142; 310/50; 408/20, 124, 125, 234,  
408/241 R; 451/358

See application file for complete search history.

(56) **References Cited**

**U.S. PATENT DOCUMENTS**

D195,227 S \* 5/1963 Franklin ..... D8/68  
D432,891 S \* 10/2000 Sterling ..... D8/107  
D468,618 S \* 1/2003 Ho ..... D8/107

D498,128 S \* 11/2004 Sterling ..... D8/68  
6,884,052 B1 \* 4/2005 Chen ..... 418/270  
7,032,881 B1 \* 4/2006 Chiang ..... 251/263  
7,174,971 B1 \* 2/2007 Chen ..... 173/104  
D572,991 S \* 7/2008 Chen ..... D8/68  
D591,127 S \* 4/2009 Taga ..... D8/68  
2007/0158090 A1 \* 7/2007 Sterling et al. .... 173/211  
2007/0289760 A1 \* 12/2007 Sterling et al. .... 173/104

\* cited by examiner

*Primary Examiner*—Cathron C Brooks

*Assistant Examiner*—Barbara Fox

(74) *Attorney, Agent, or Firm*—Christensen O'Connor  
Johnson Kindness PLLC

(57) **CLAIM**

The ornamental design for a handle for a power tool, as shown and described.

**DESCRIPTION**

FIG. 1 is a perspective view of the top, rear, and left side of a handle for a power tool showing my new design;

FIG. 2 is a rear view thereof;

FIG. 3 is a front view thereof;

FIG. 4 is a top view thereof;

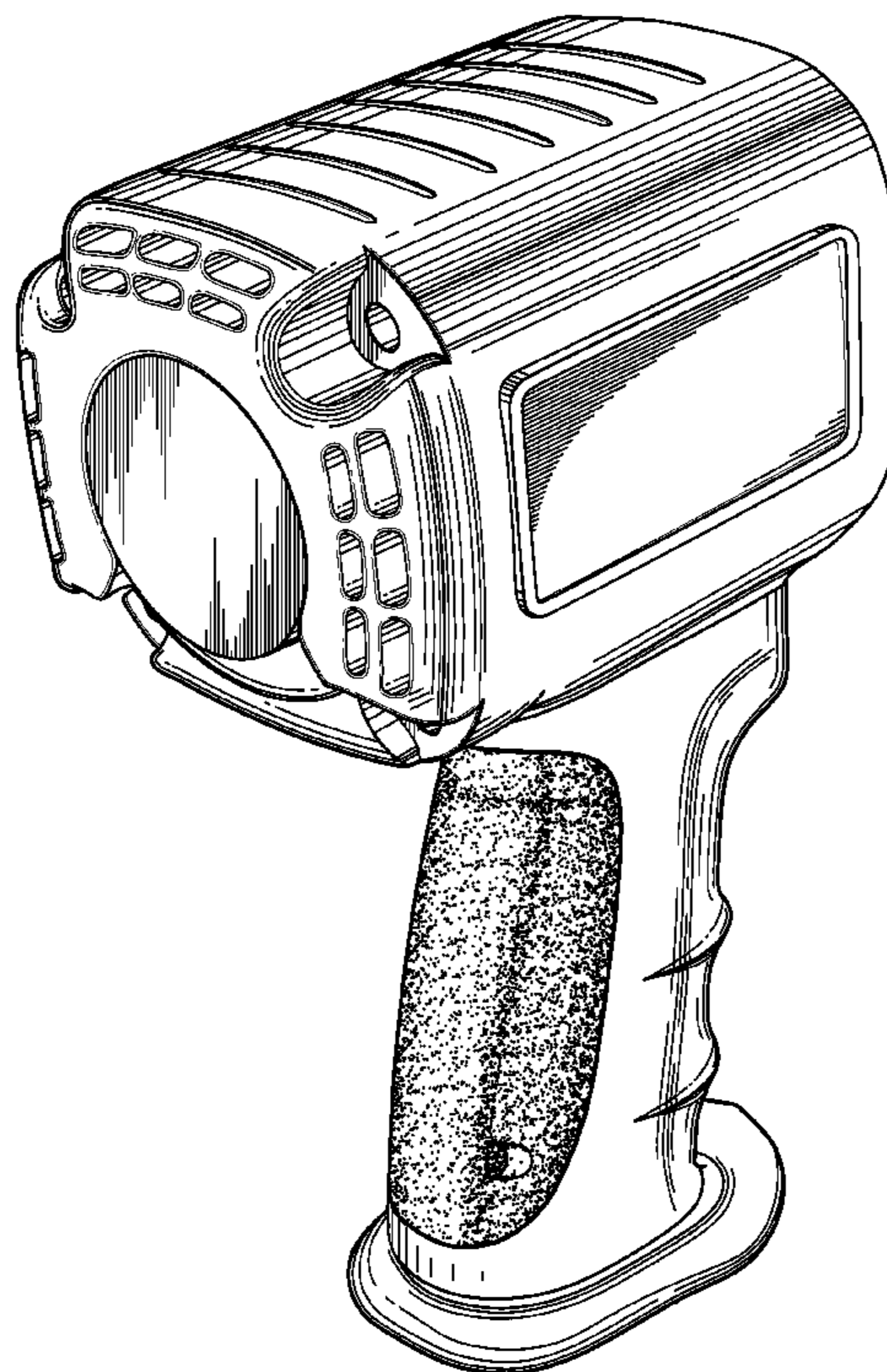
FIG. 5 is a bottom view thereof;

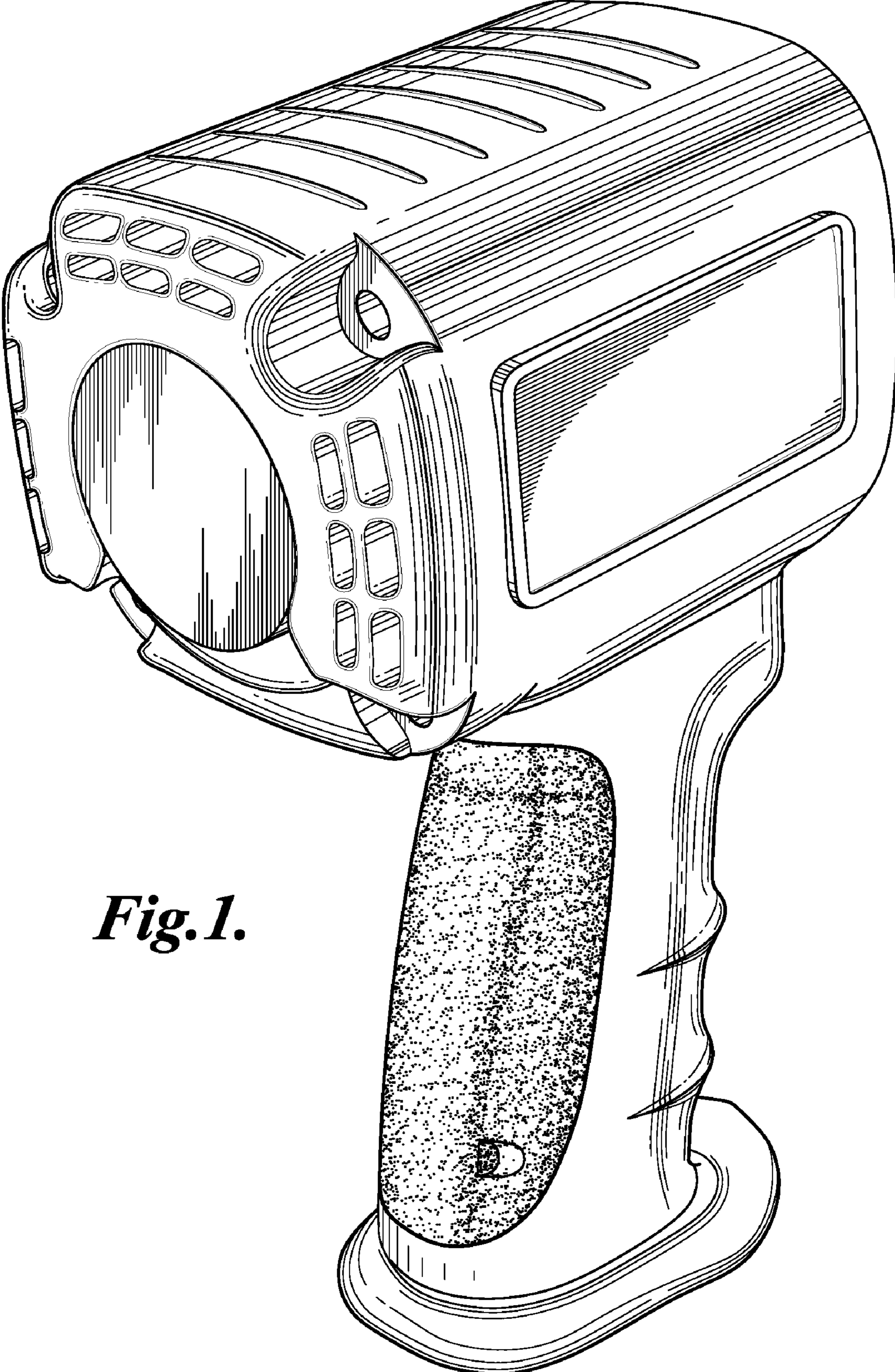
FIG. 6 is a right side view thereof; and,

FIG. 7 is a left side view thereof.

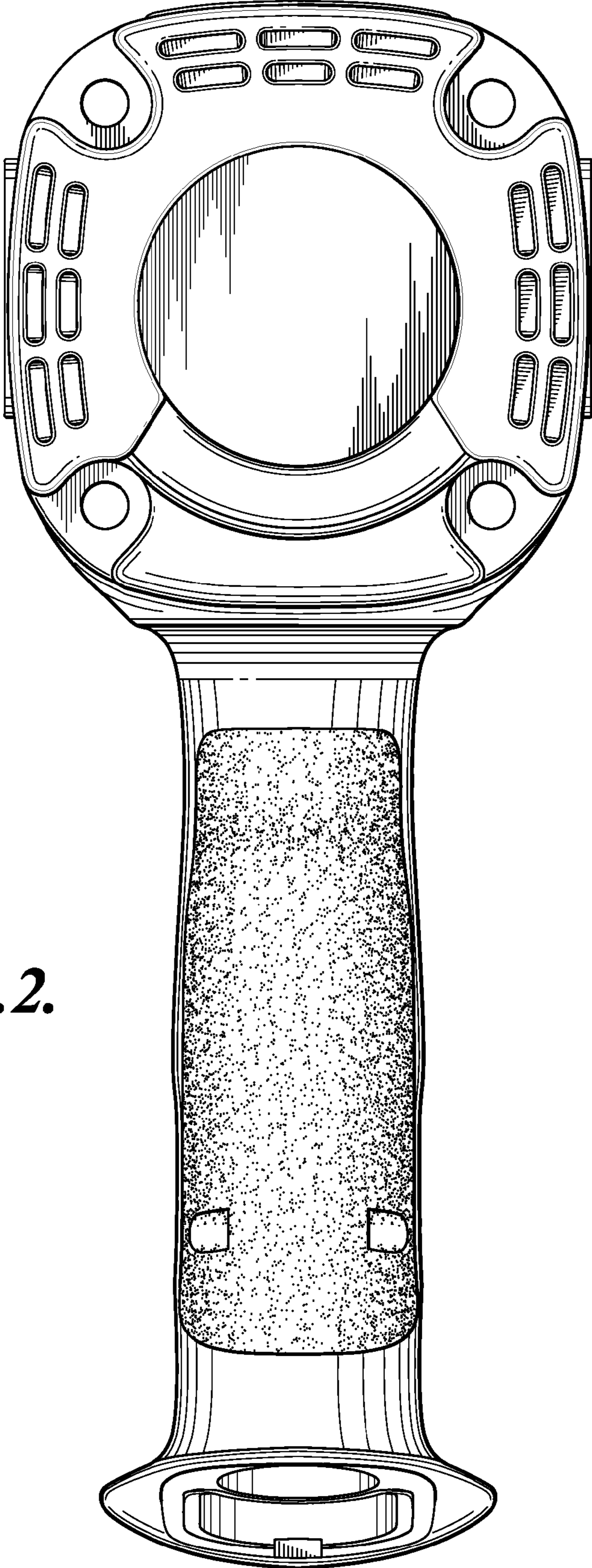
Portions of the handle for a power tool shown in broken lines form no part of the claimed design.

**1 Claim, 6 Drawing Sheets**

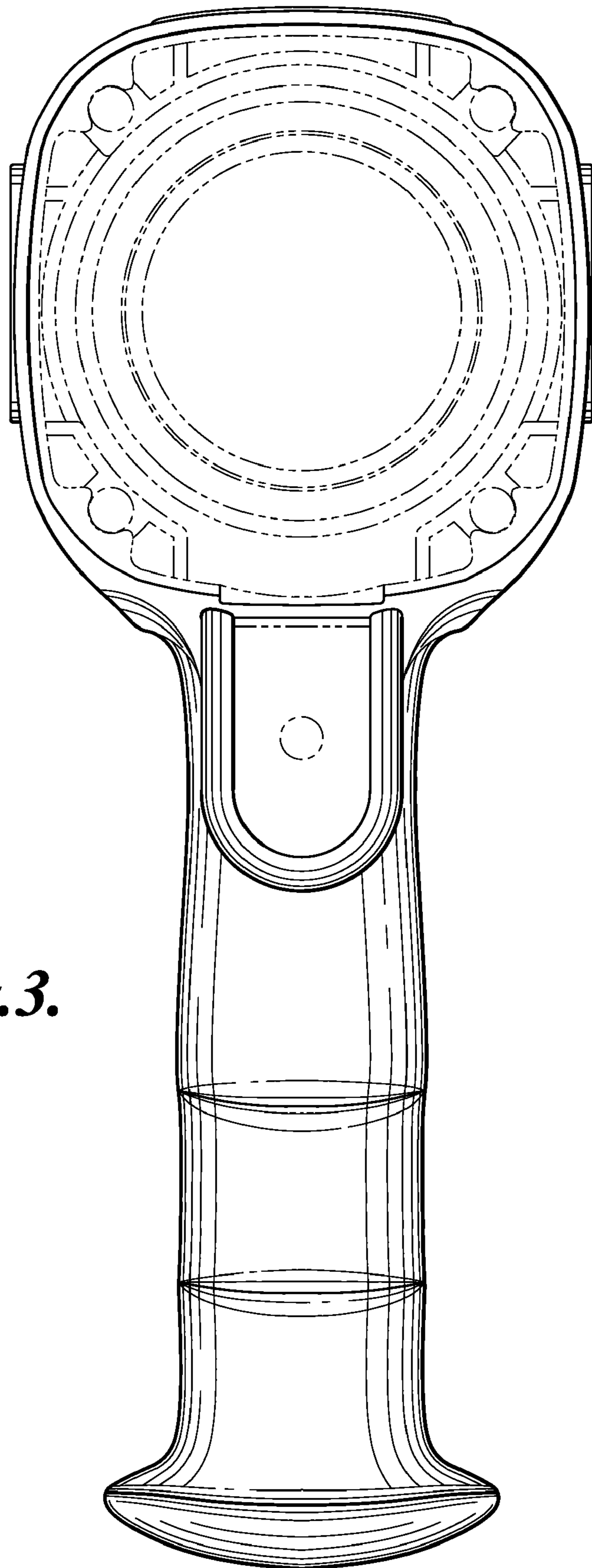




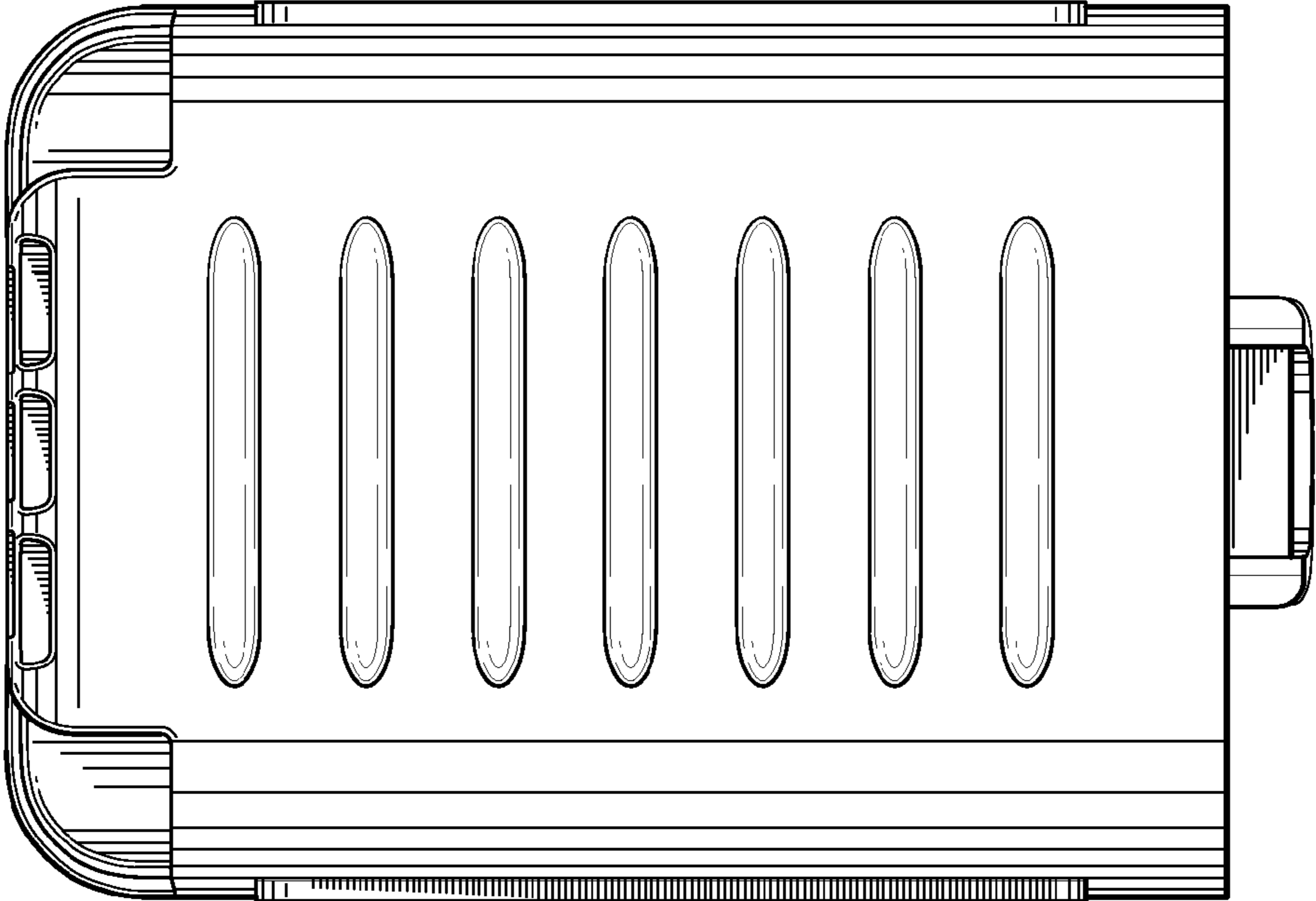
*Fig. 1.*



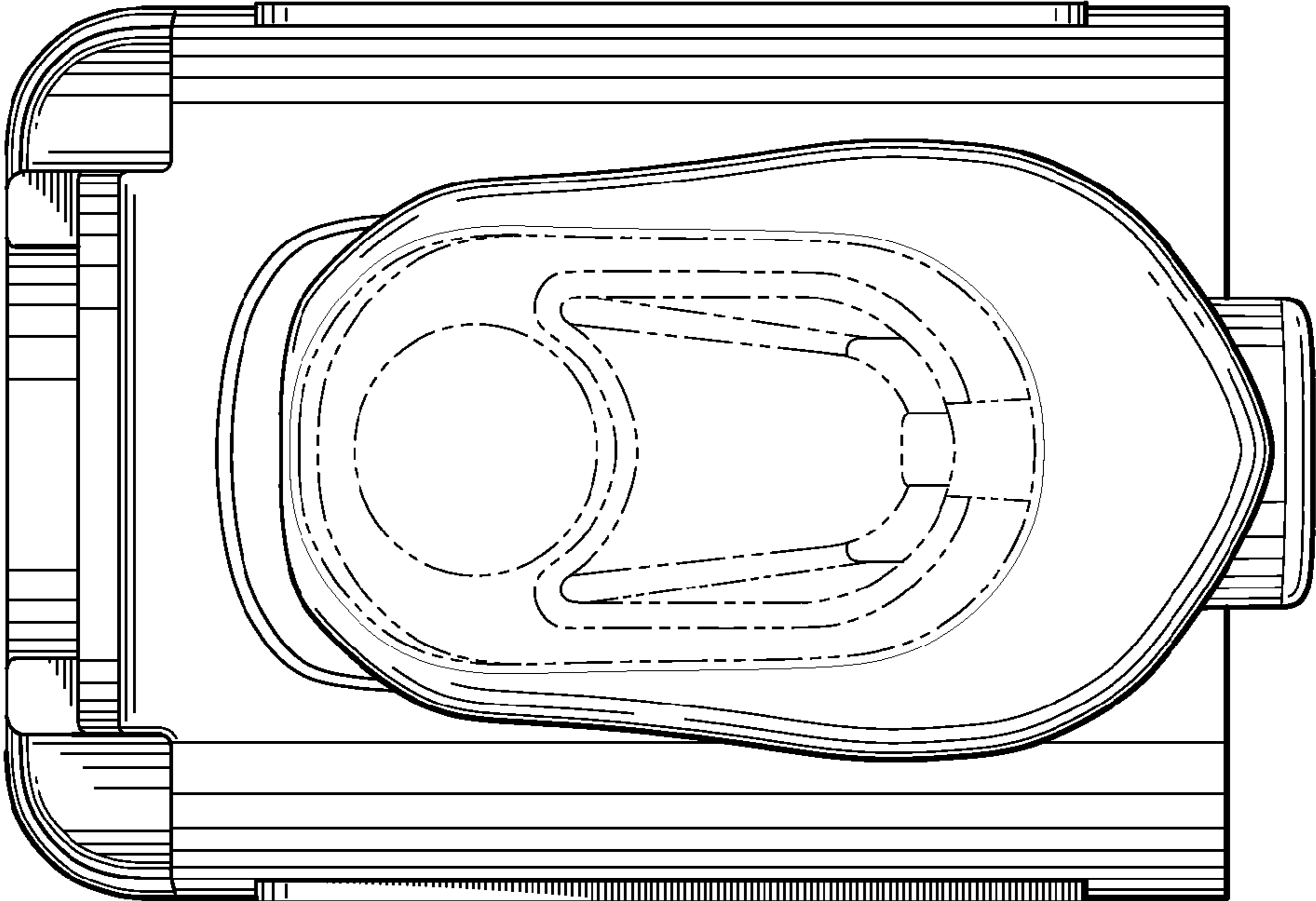
*Fig. 2.*



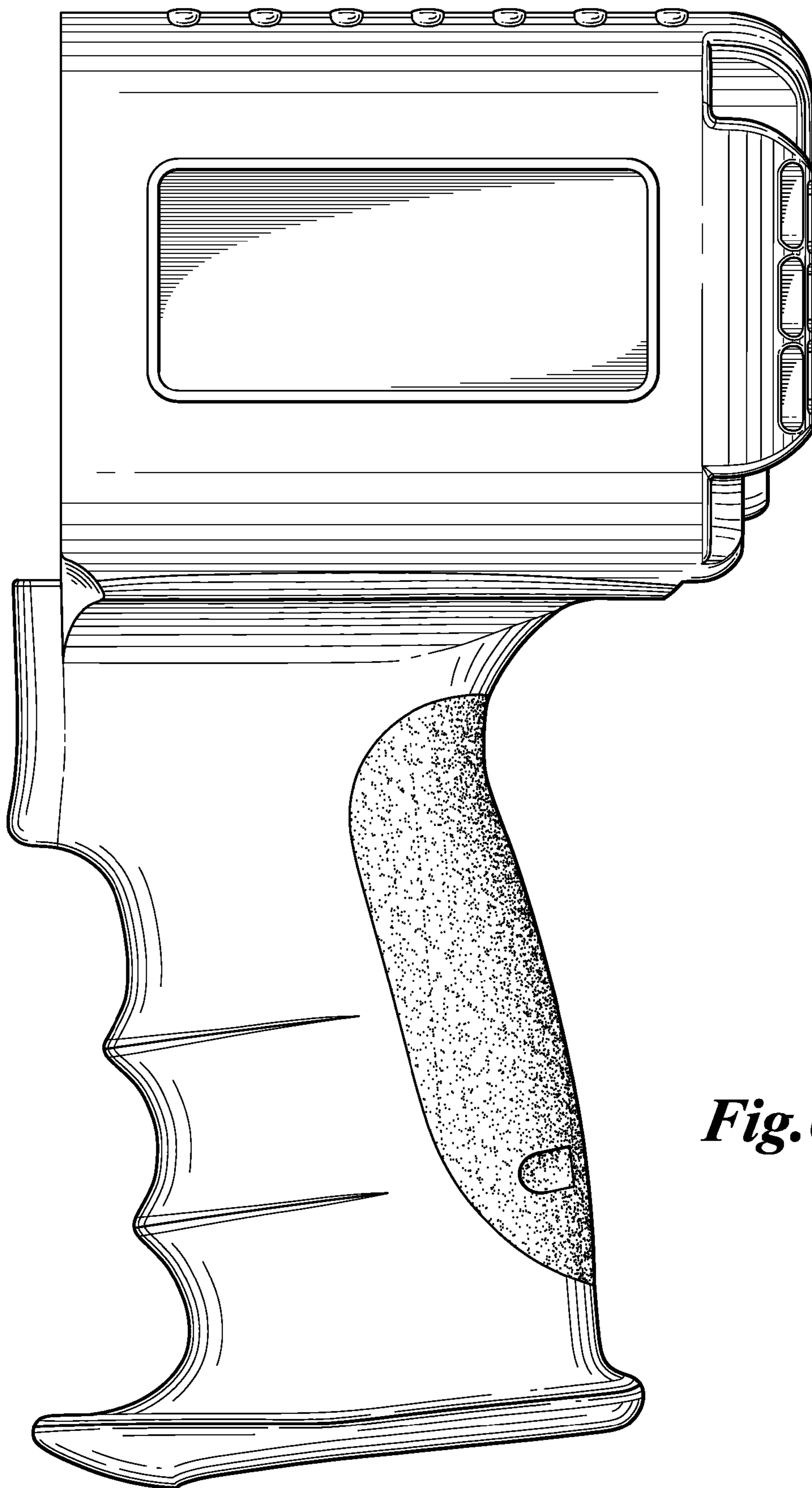
*Fig. 3.*



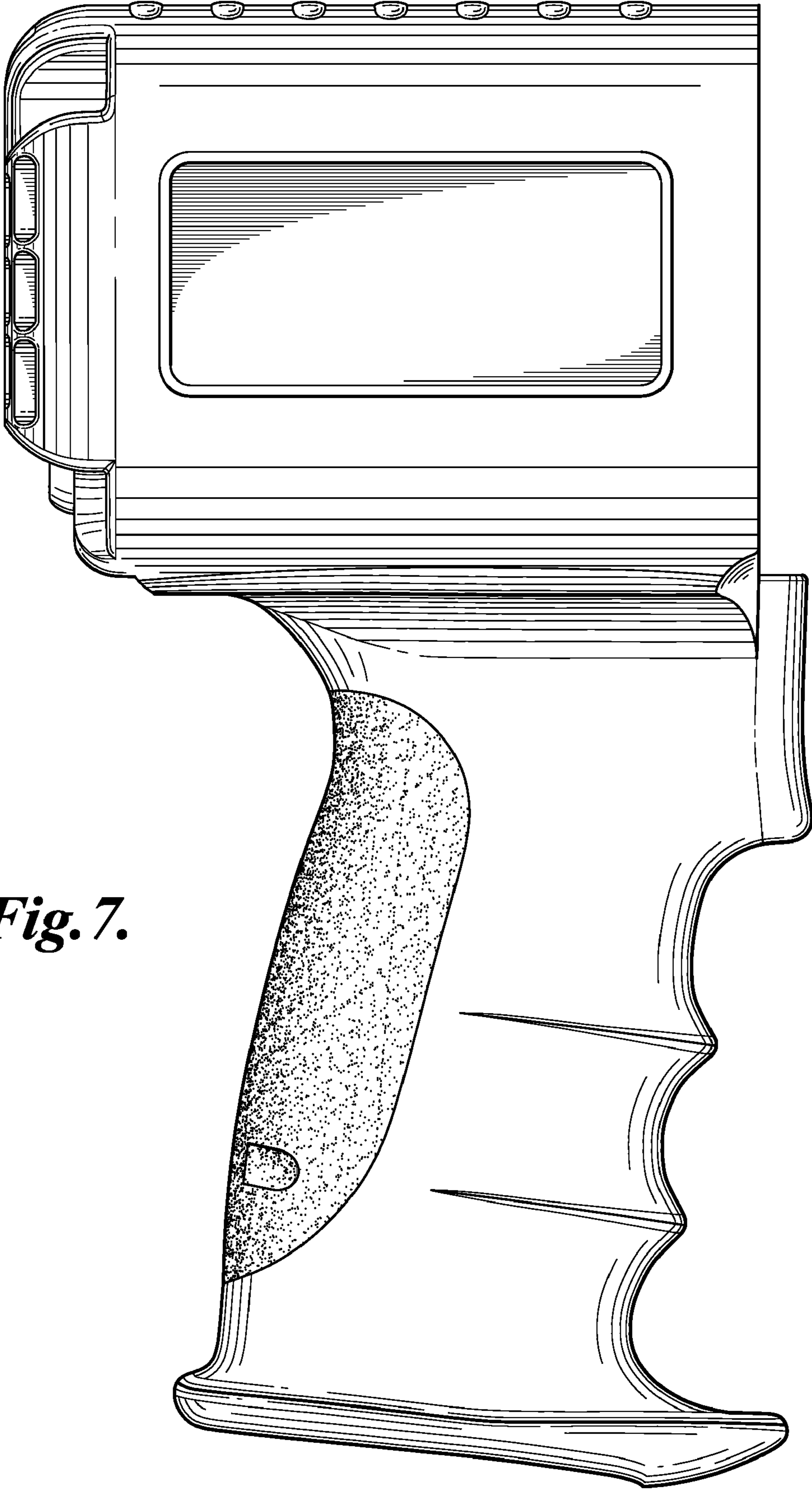
*Fig. 4.*



*Fig. 5.*



*Fig. 6.*



*Fig. 7.*