



US00D600995S

(12) **United States Design Patent**  
**Forsythe**

(10) **Patent No.:** **US D600,995 S**

(45) **Date of Patent:** **\*\* Sep. 29, 2009**

(54) **PLIER NAIL AND STAPLE PULLER**

(76) Inventor: **Kevin N. Forsythe**, 3804 E. Crystal  
Lake Ave., Crystal Lake, IL (US) 60014

(\*\*) Term: **14 Years**

(21) Appl. No.: **29/335,417**

(22) Filed: **Apr. 15, 2009**

(51) **LOC (9) Cl.** ..... **08-05**

(52) **U.S. Cl.** ..... **D8/105; D8/48**

(58) **Field of Classification Search** ..... D8/99,  
D8/58, 55, 52, 356, 107, 105; D19/65; 81/440,  
81/427.5; 7/160, 138, 128, 118, 109, 130,  
7/137; 30/298.4, 162, 161, 155; 254/22

See application file for complete search history.

(56) **References Cited**

**U.S. PATENT DOCUMENTS**

59,131	A *	10/1866	Longshore	7/109
562,746	A *	6/1896	Smith	7/130
1,387,653	A *	8/1921	Lorentzen	254/22
1,452,545	A *	4/1923	Bradley	254/22
D368,417	S *	4/1996	Hebert	D8/52
D470,384	S *	2/2003	Makedonski	D8/105
6,733,001	B2 *	5/2004	Wagner	254/22
6,886,810	B2 *	5/2005	Forrester	254/22
6,934,991	B2 *	8/2005	Kinkade	7/137

7,438,278	B2 *	10/2008	Wagner	254/22
2002/0056832	A1 *	5/2002	Wagner	254/22
2003/0030044	A1 *	2/2003	Youngren et al.	254/19
2006/0248730	A1 *	11/2006	Miller et al.	30/175

\* cited by examiner

*Primary Examiner*—Cathron C Brooks

*Assistant Examiner*—Austin Murphy

(74) *Attorney, Agent, or Firm*—Mathew R. P. Perrone, Jr.;  
Brie A. Crawford

(57) **CLAIM**

The ornamental design for a plier nail and staple puller, as shown and described.

**DESCRIPTION**

FIG. 1 is a perspective view of a plier nail and staple puller of my invention;

FIG. 2 is a front plan view of a plier nail and staple puller of my invention;

FIG. 3 is a rear plan view thereof, based on FIG. 2;

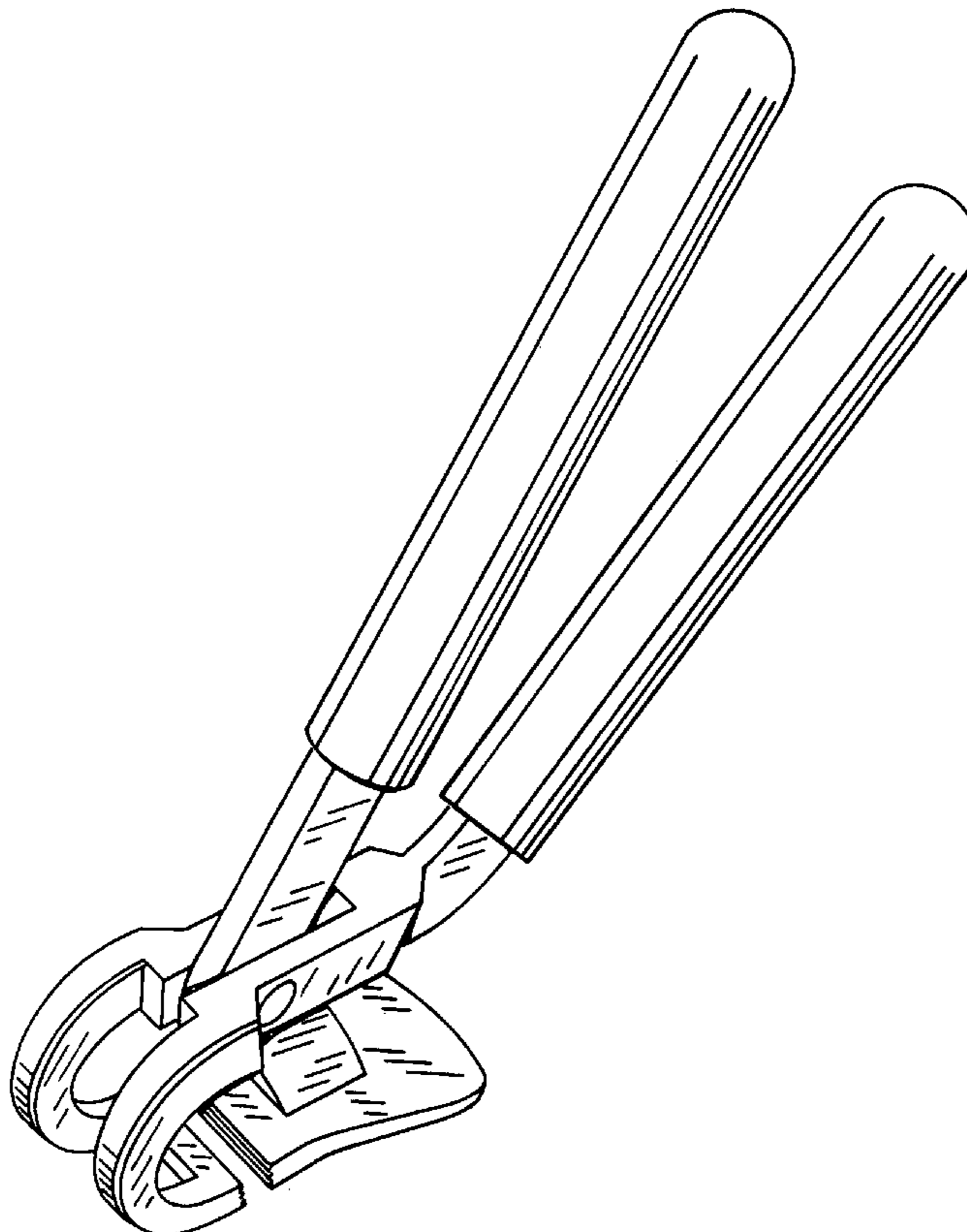
FIG. 4 is a top plan view thereof, based on FIG. 2;

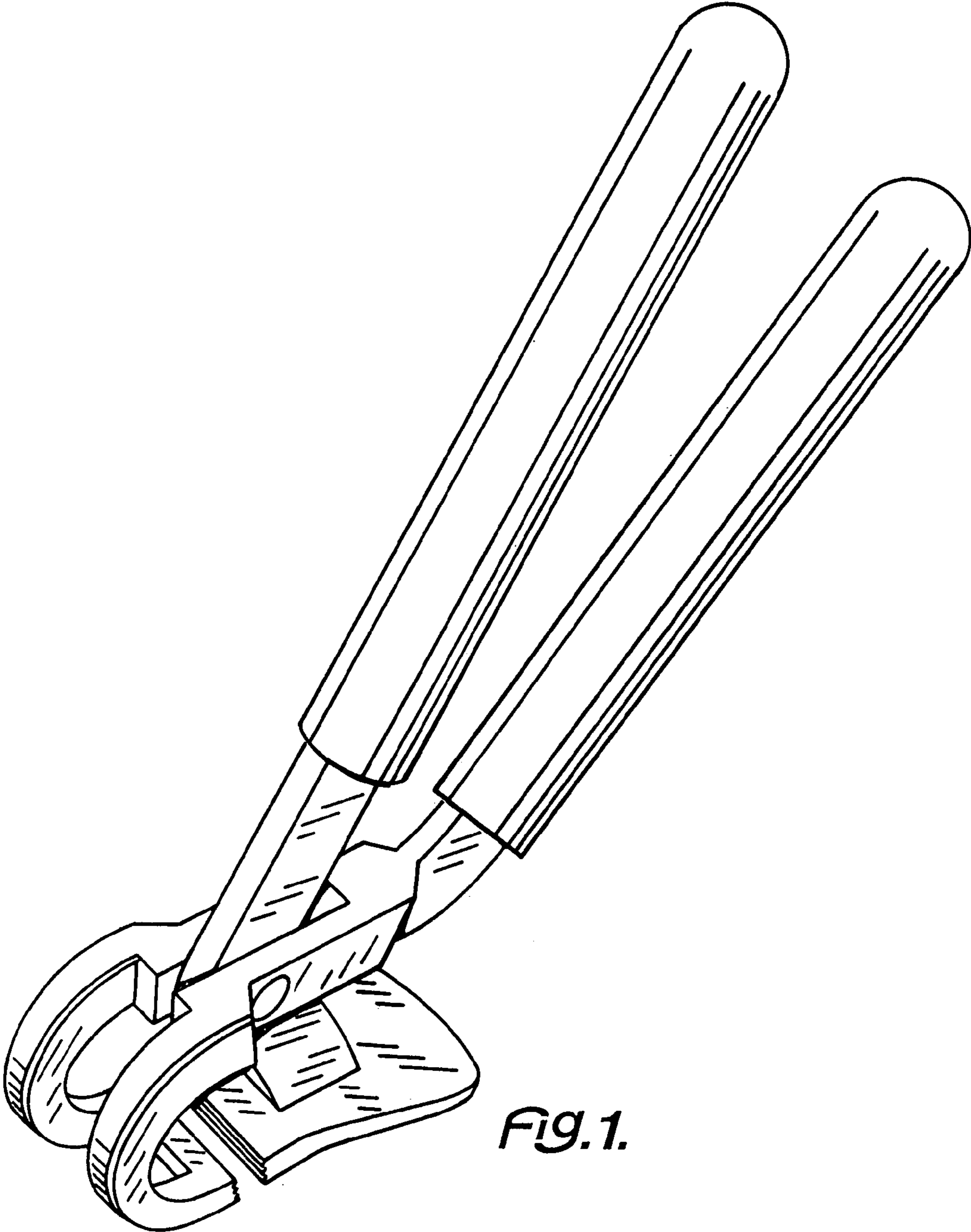
FIG. 5 is a bottom plan view thereof, based on FIG. 3;

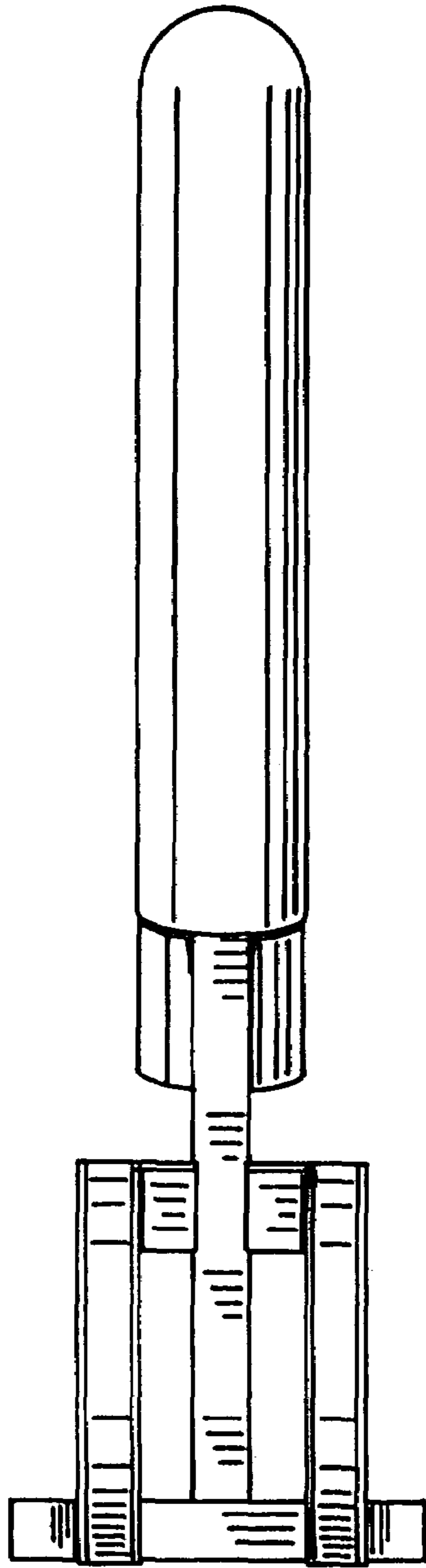
FIG. 6 is a side view thereof, based on FIG. 2; and,

FIG. 7 is a side view thereof and a reverse view of FIG. 6.

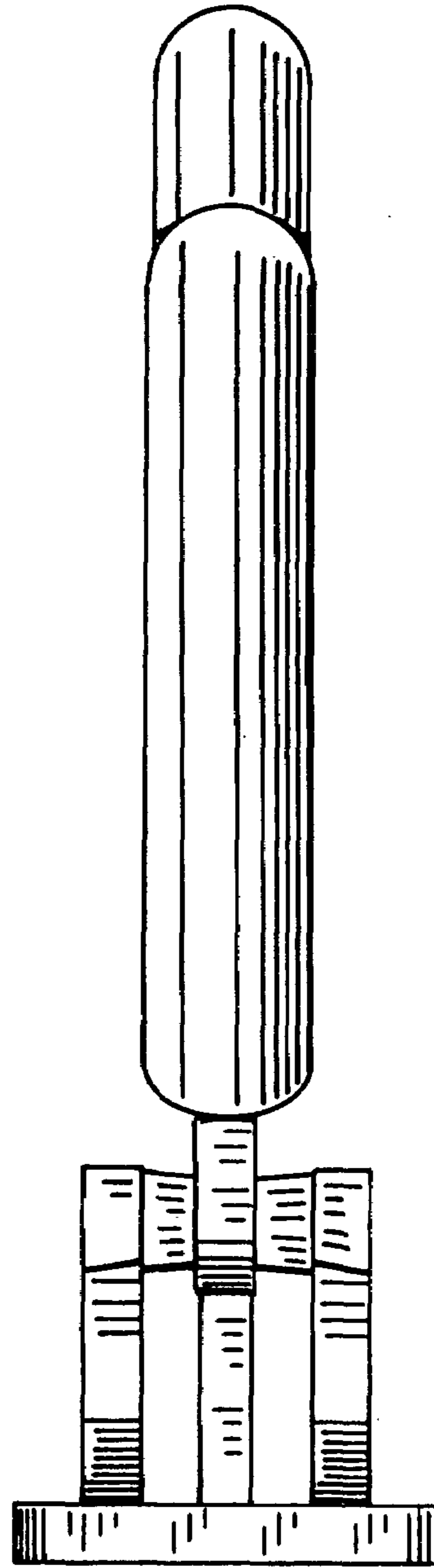
**1 Claim, 5 Drawing Sheets**



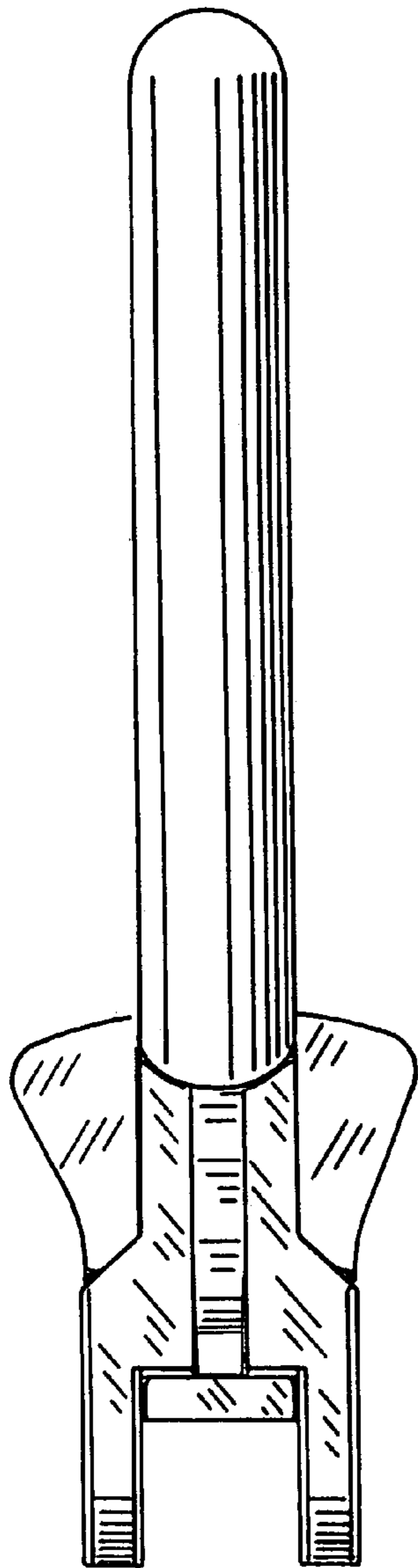




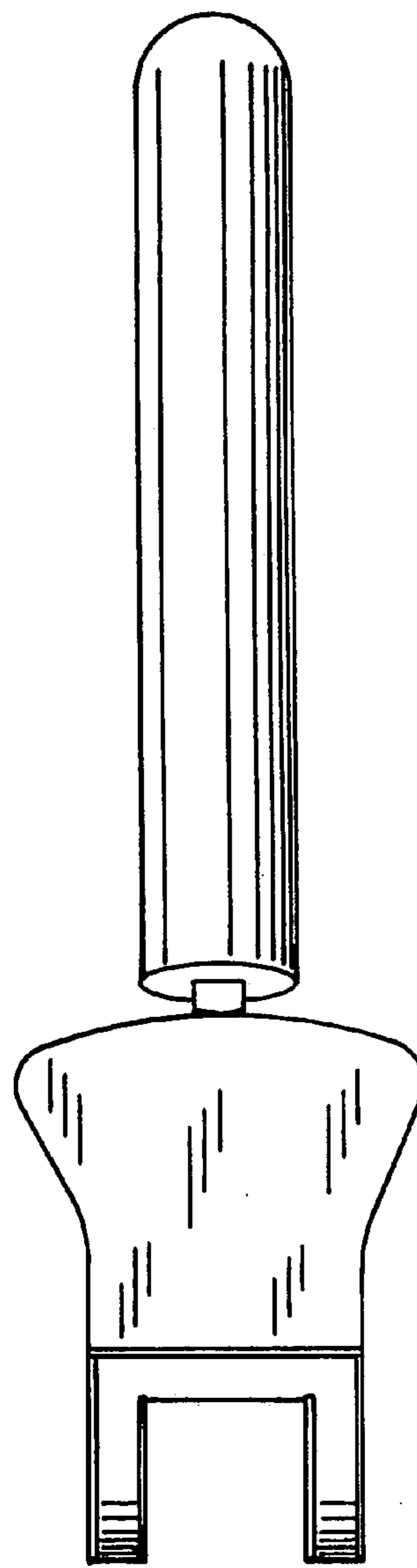
*FIG. 2.*



*FIG. 3.*



*Fig. 4.*



*Fig. 5.*

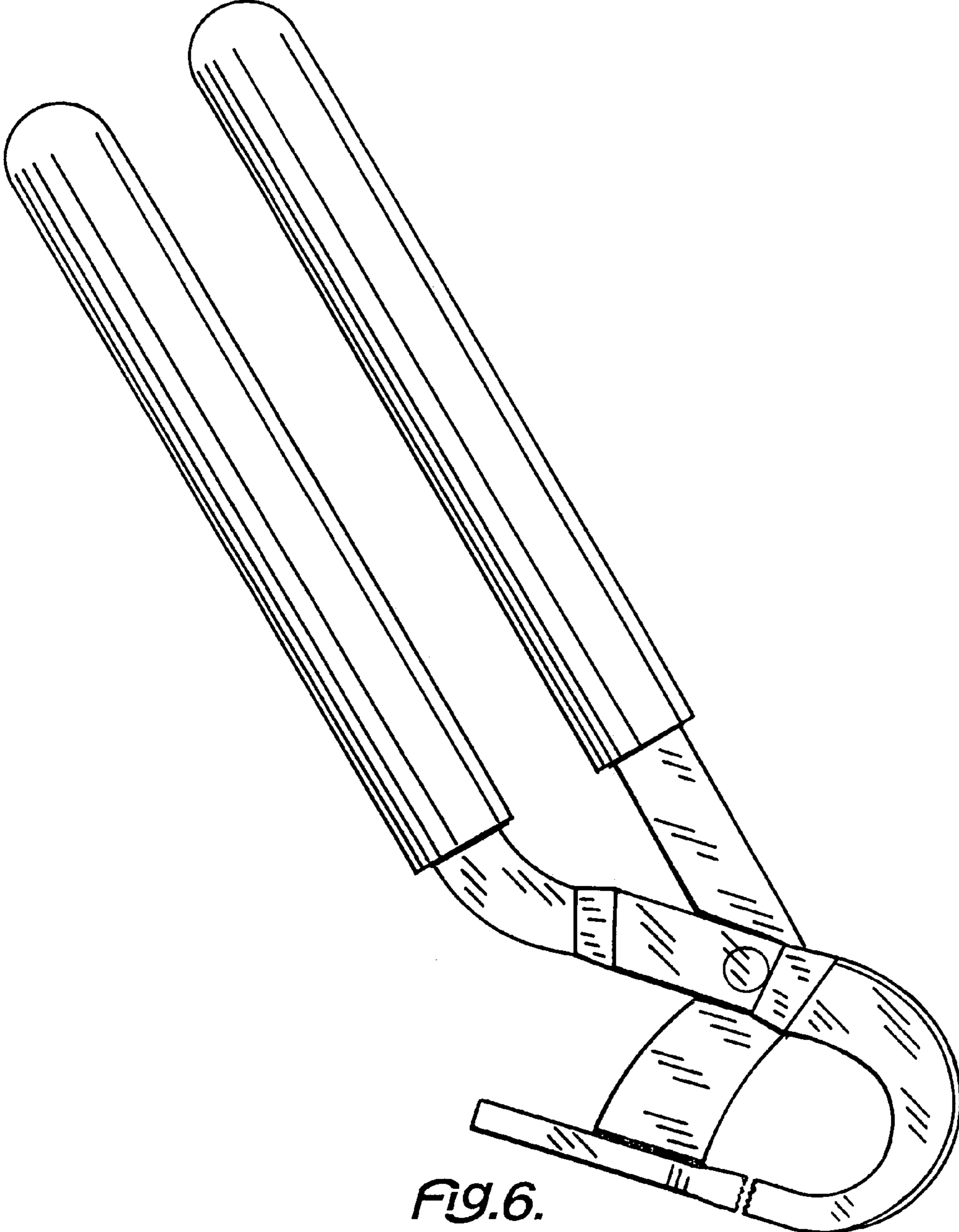


FIG. 6.

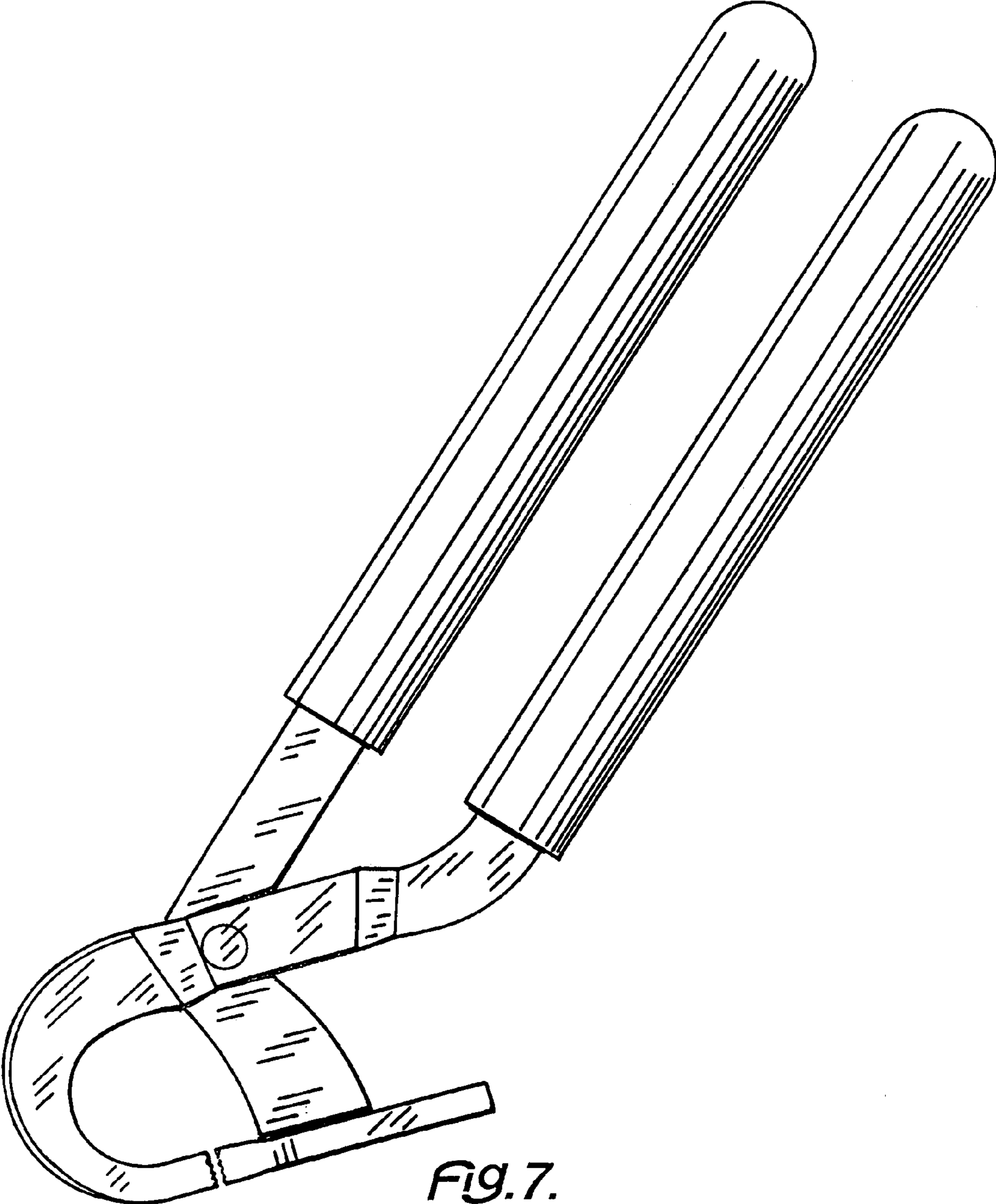


FIG. 7.