



US00D600994S

(12) **United States Design Patent**
Fultz

(10) **Patent No.:** **US D600,994 S**

(45) **Date of Patent:** **** Sep. 29, 2009**

(54) **MULTI-USE TOOL**

(76) Inventor: **Derek Fultz**, 6 Prairie Acres, Monticello, IL (US) 61856

(**) Term: **14 Years**

(21) Appl. No.: **29/298,571**

(22) Filed: **Dec. 7, 2007**

(51) **LOC (9) Cl.** **08-05**

(52) **U.S. Cl.** **D8/105**

(58) **Field of Classification Search** D8/26,
D8/99, 58, 105, 52, 356, 107, 10, 9; 81/440,
81/427.5; 7/138, 129, 127, 128, 104; 30/162,
30/161, 155, 298.4; 294/49, 54.5
See application file for complete search history.

(56) **References Cited**

U.S. PATENT DOCUMENTS

D267,772 S *	2/1983	Heimdal	D8/9
D437,532 S *	2/2001	Petruzzelli	D8/10
D495,934 S *	9/2004	Lin	D8/10
D518,350 S *	4/2006	Hay	D8/107
D518,351 S *	4/2006	Hay	D8/107
D551,524 S *	9/2007	Norton et al.	D8/10
D563,181 S *	3/2008	Gailey	D8/10
D568,121 S *	5/2008	Meyer	D8/10
7,375,270 B2 *	5/2008	Abernethy	84/380 R
D570,653 S *	6/2008	Baker	D8/10
2001/0045754 A1 *	11/2001	Hatcher	294/61

2002/0088088 A1* 7/2002 Lin 16/422

* cited by examiner

Primary Examiner—Cathron C Brooks

Assistant Examiner—Austin Murphy

(74) *Attorney, Agent, or Firm*—Michael Berns Parkinson + Berns

(57) **CLAIM**

The ornamental design for a multi-use tool, as shown.

DESCRIPTION

FIG. 1 is a perspective view of the multi-use tool showing my new design; with one of the removable locking pins not shown for convenience of illustration;

FIG. 2 is a perspective view of the multi-use tool, shown in an extended position of use;

FIG. 3 is an exploded perspective view thereof;

FIG. 4 is a perspective view thereof, showing the removable attachment portion of the tool only, for ease of illustration, and with the tool head shown in broken lines;

FIG. 5 is an additional perspective of FIG. 4, but showing an alternate tool head; and,

FIG. 6 is an additional perspective view of FIG. 4, but showing a further alternate tool head.

The broken lines shown in the drawings represent unclaimed portions of the multi-use tool and form no part of the claimed design.

1 Claim, 4 Drawing Sheets

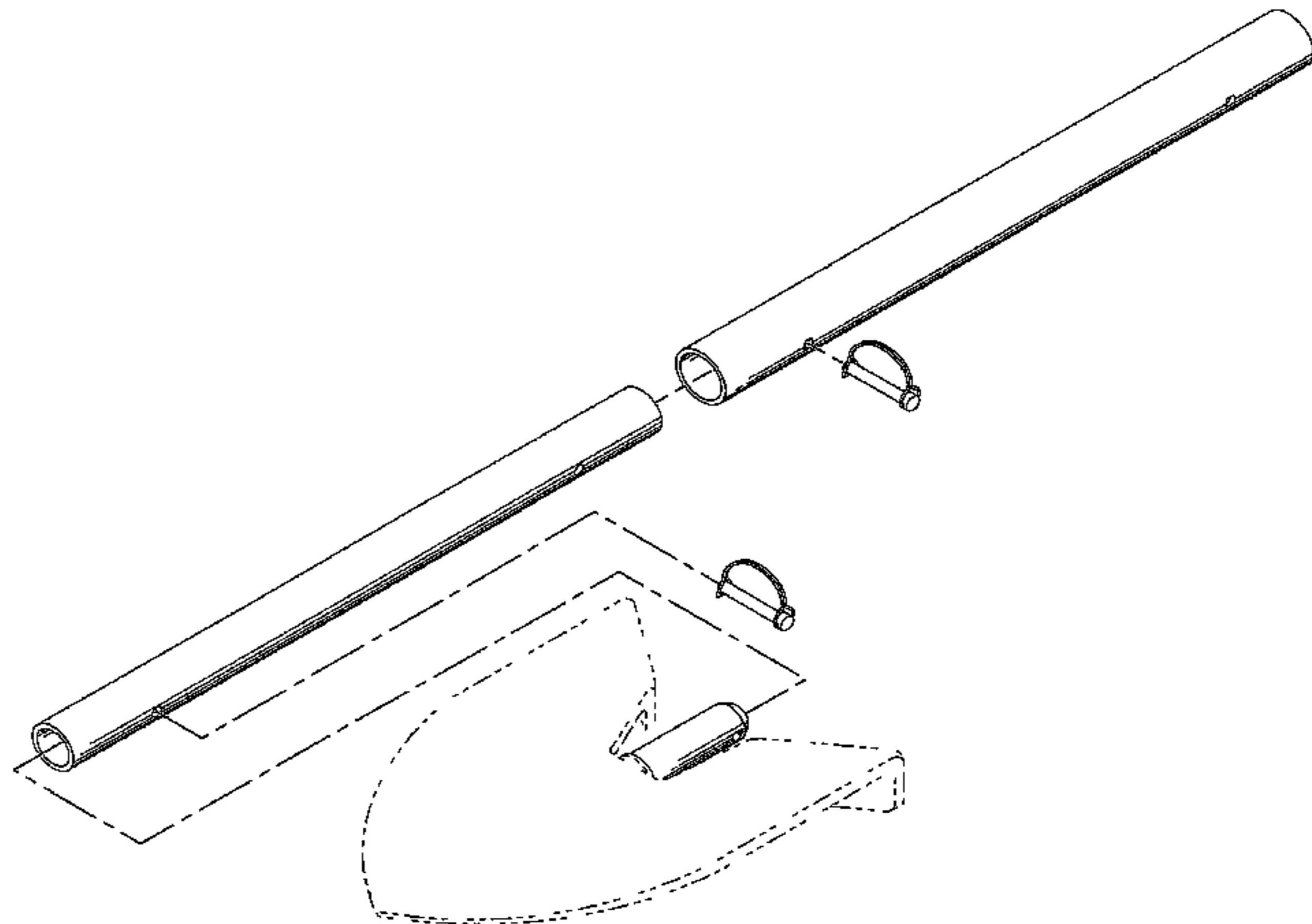
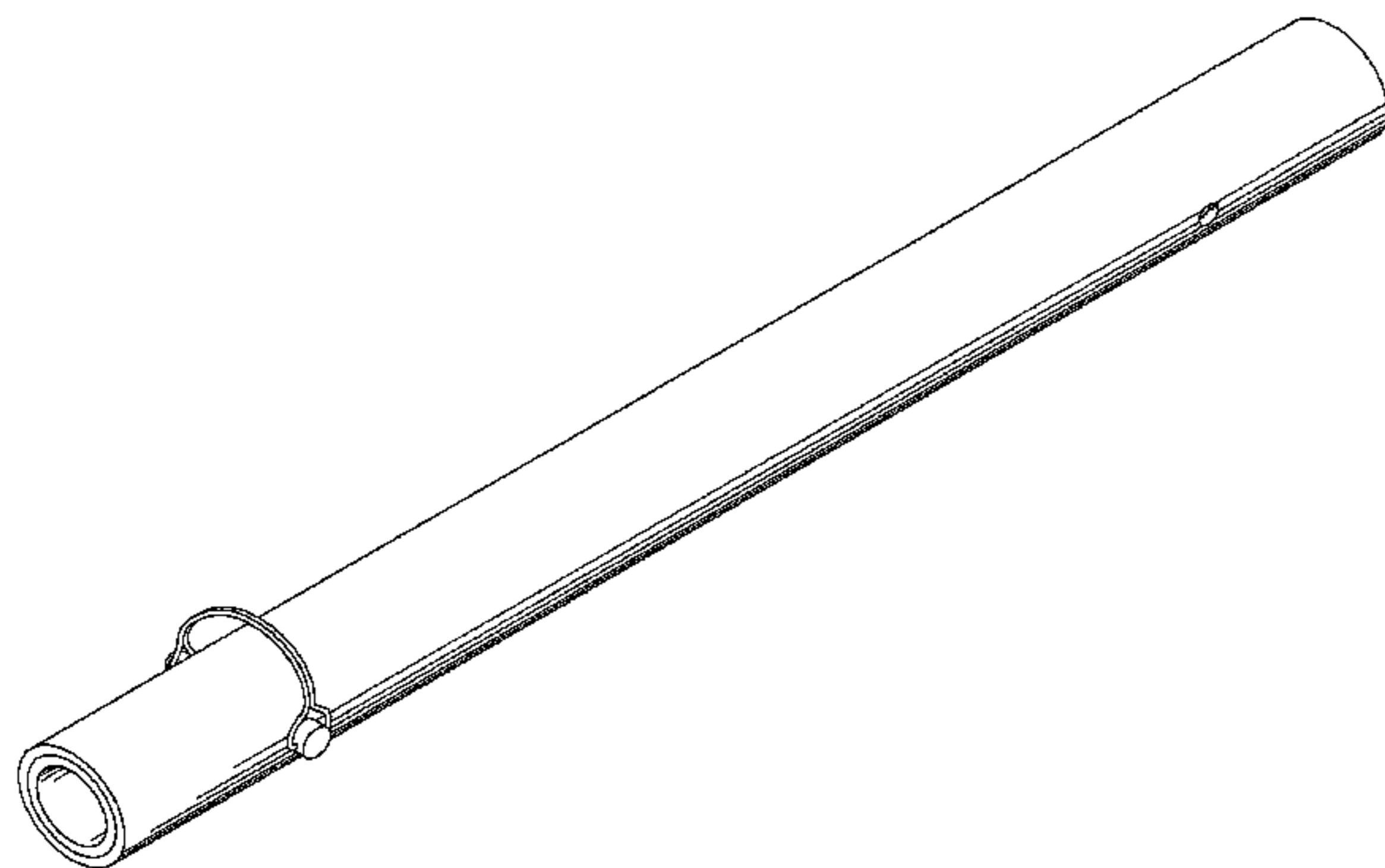


Fig. 1

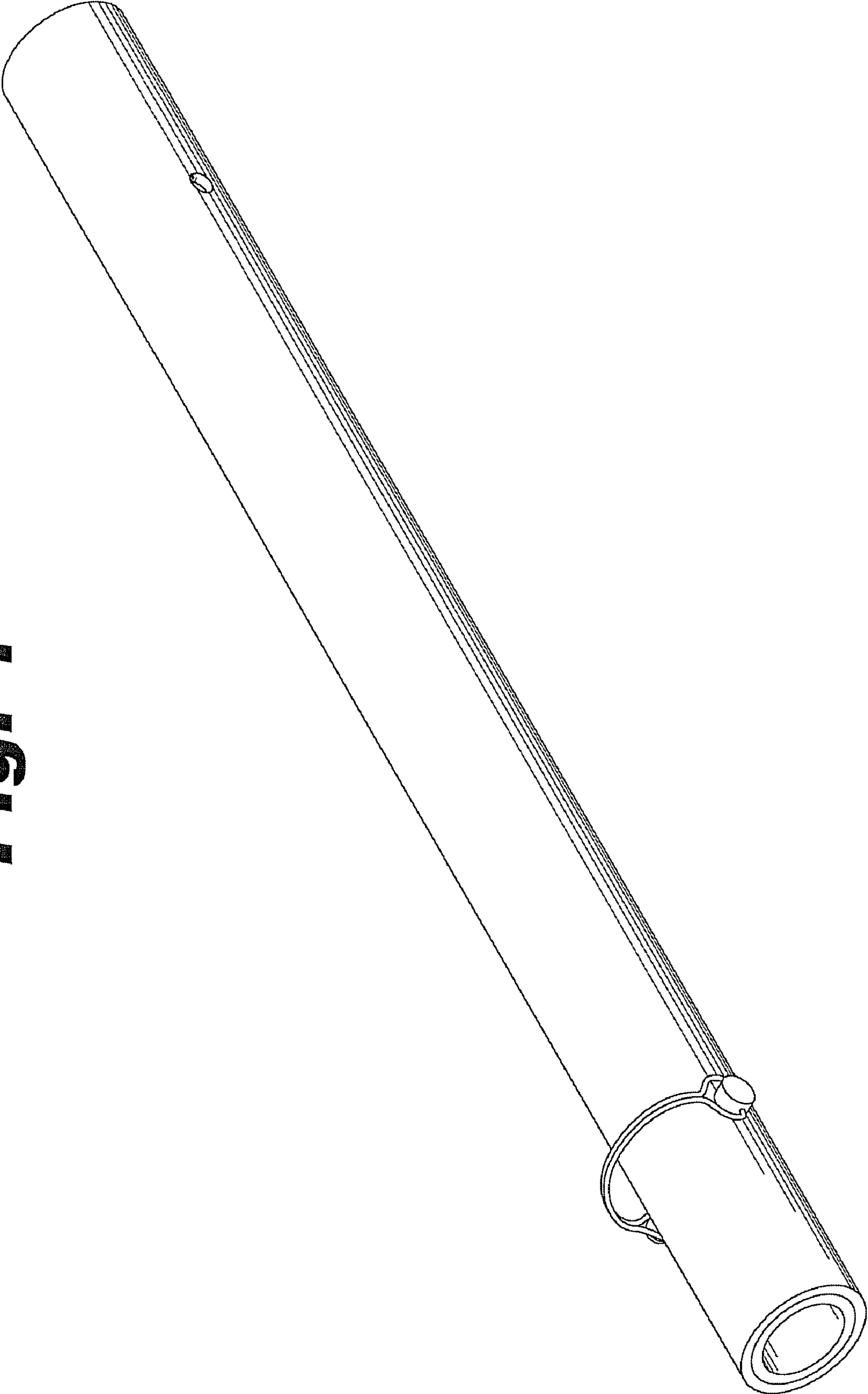
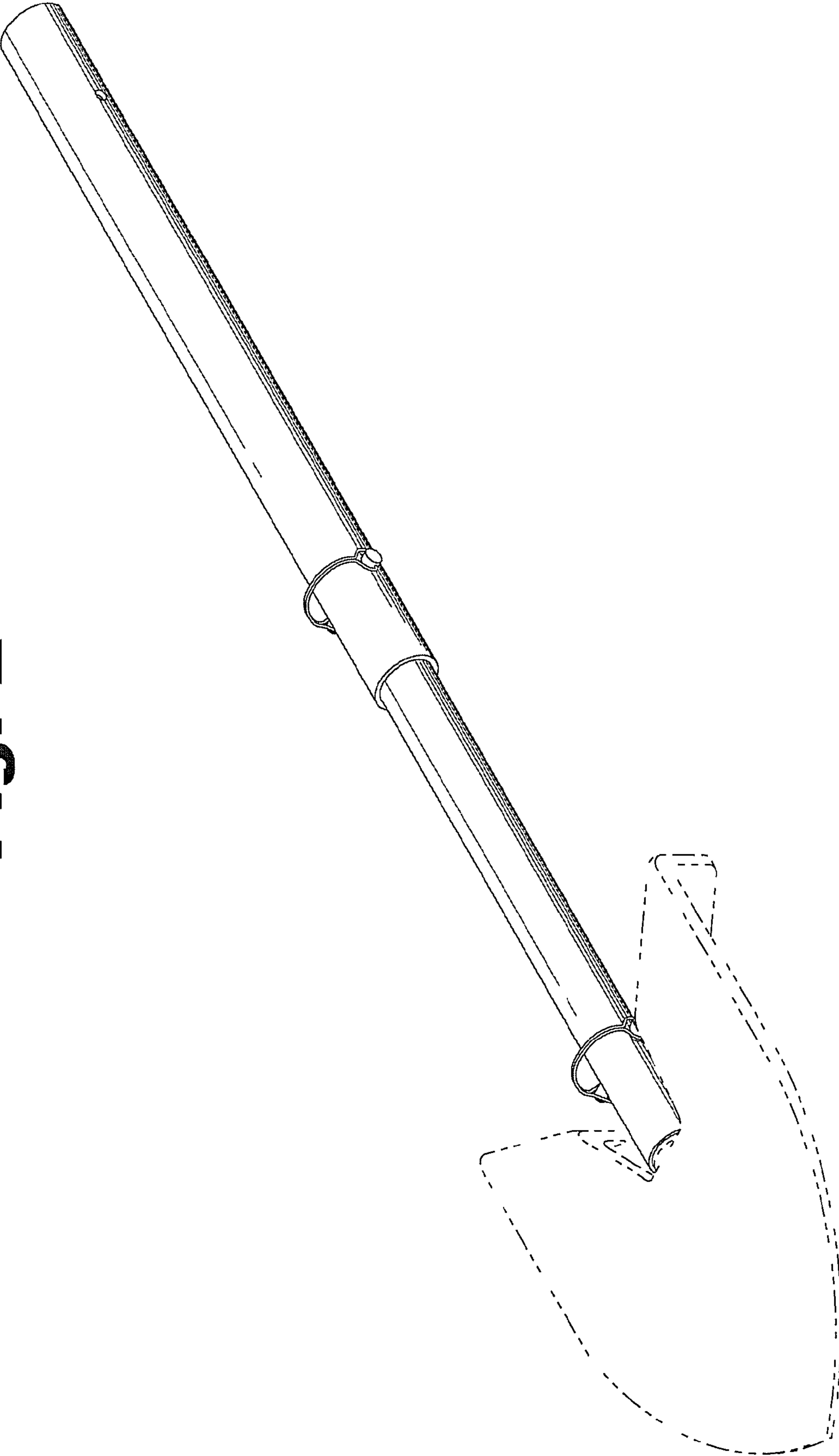


Fig. 2



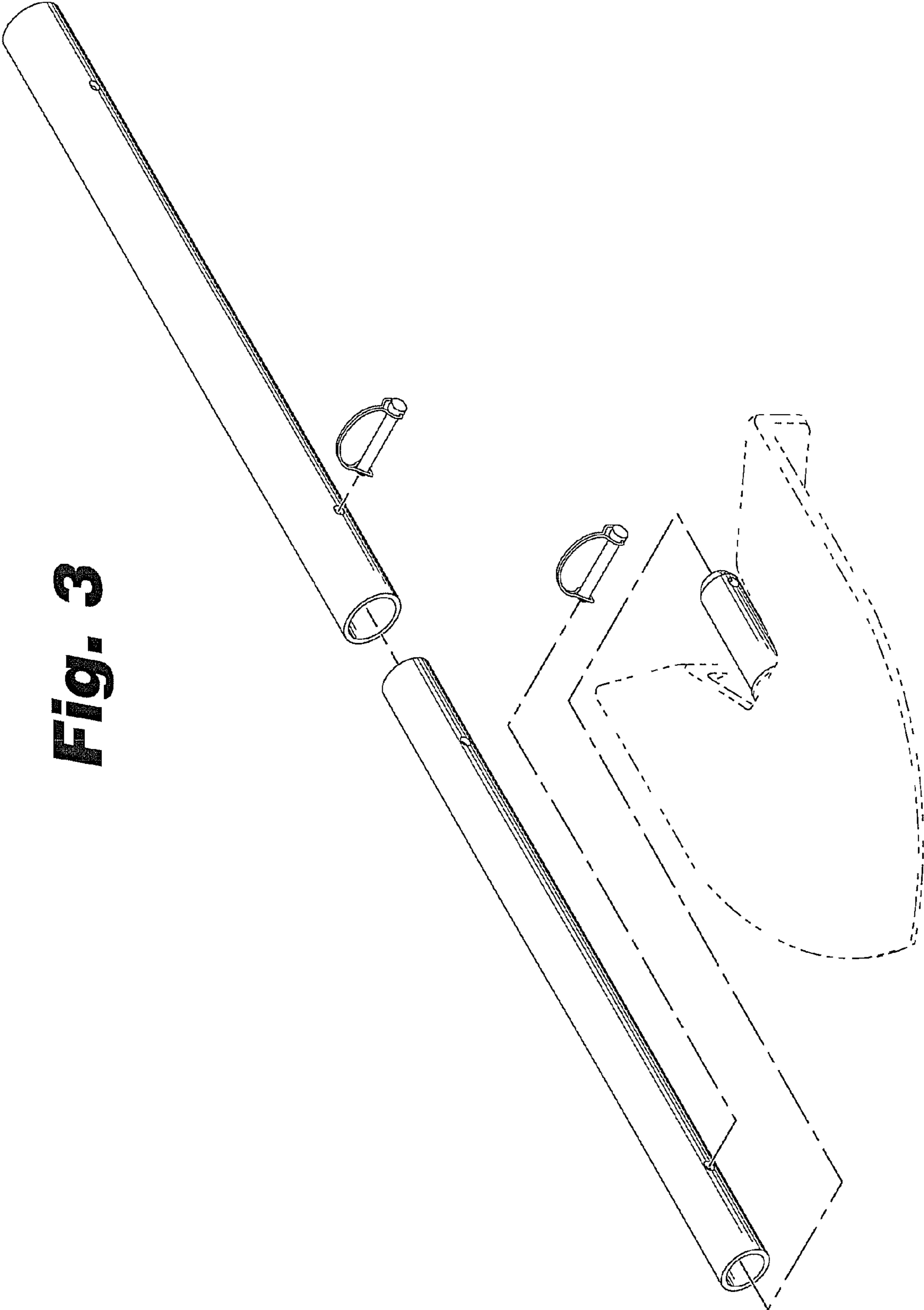


Fig. 3

Fig. 4

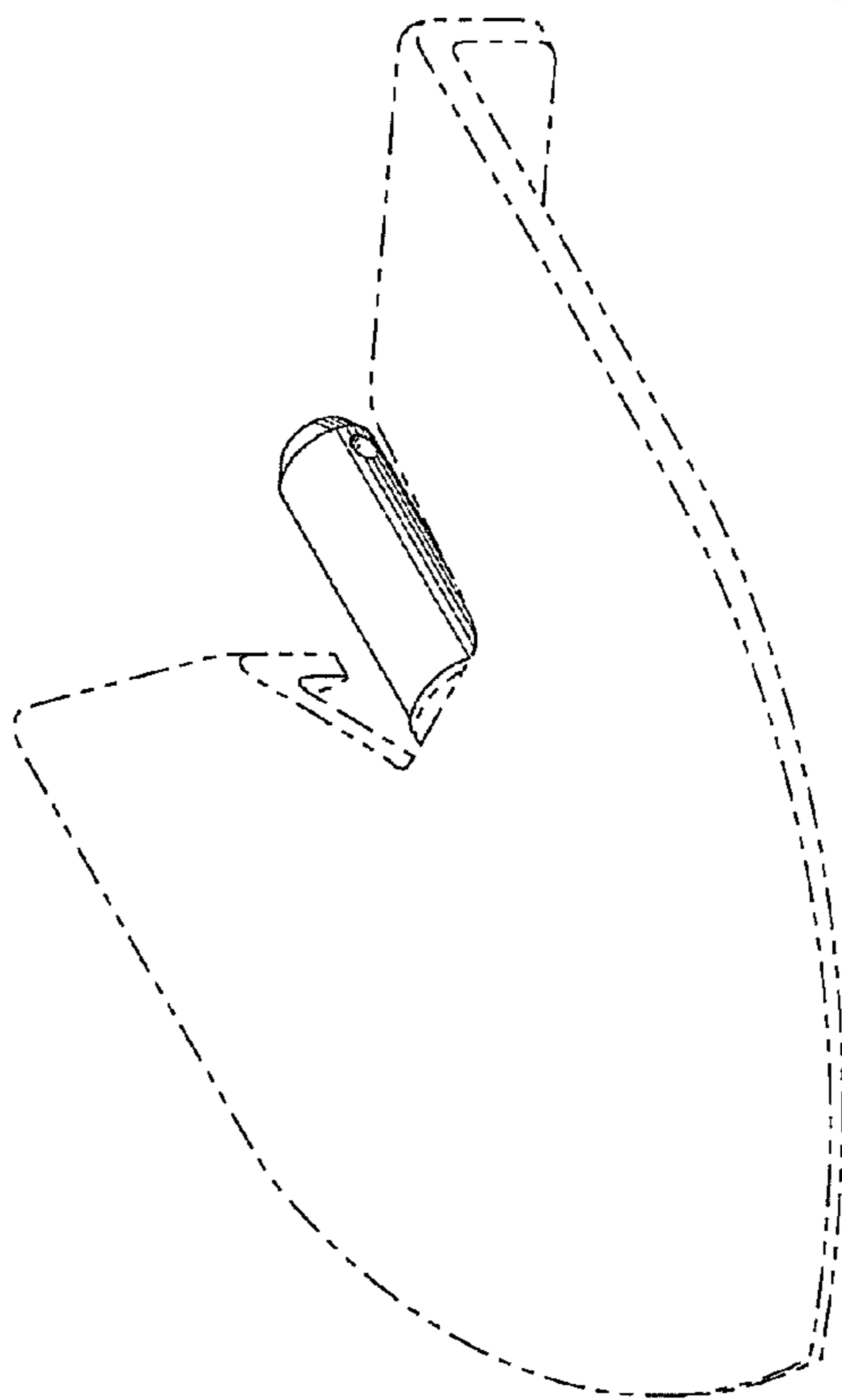


Fig. 5

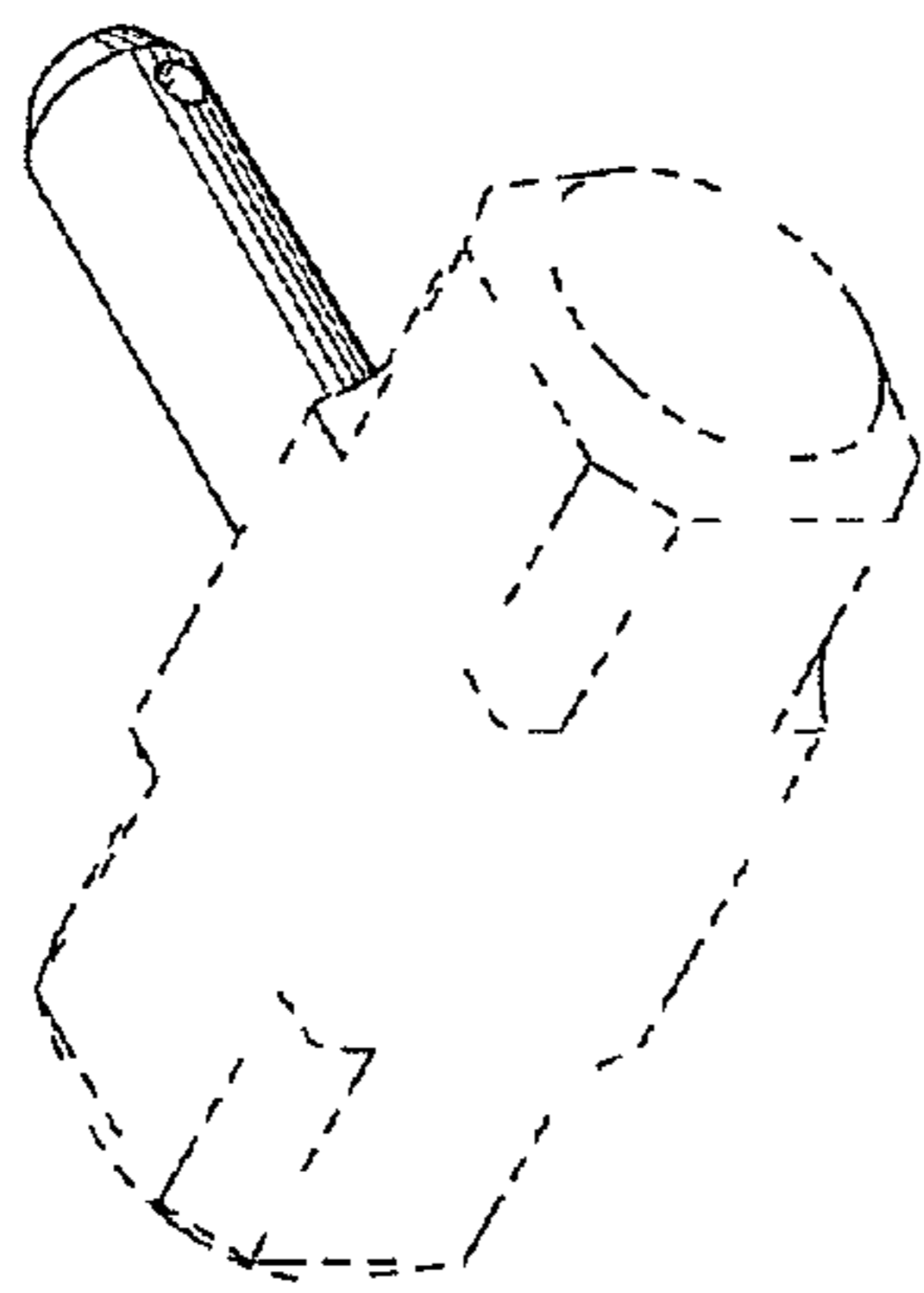


Fig. 6

