



US00D600990S

(12) **United States Design Patent**
Schrader

(10) **Patent No.:** **US D600,990 S**

(45) **Date of Patent:** **** Sep. 29, 2009**

(54) **ROUND CLAMP**

(75) Inventor: **Andreas Schrader**, Delbrueck (DE)

(73) Assignee: **Phoenix Contact GmbH & Co. KG**,
Blomberg (DE)

(**) Term: **14 Years**

(21) Appl. No.: **29/283,903**

(22) Filed: **Aug. 27, 2007**

(51) **LOC (9) Cl.** **08-05**

(52) **U.S. Cl.** **D8/72; D13/120**

(58) **Field of Classification Search** D8/71-74,
D8/394-397, 354-356, 382, 383, 364; D13/133,
D13/120, 184, 118; 439/801, 803, 441, 834,
439/828, 835, 435, 436, 438, 439; 174/652;
248/62, 689, 124.2, 643; 81/487, 427, 321;
269/3, 6, 143, 165, 240, 249, 243, 97; D15/140
See application file for complete search history.

(56) **References Cited**

U.S. PATENT DOCUMENTS

D322,259 S * 12/1991 Quandt D8/71
D342,937 S * 1/1994 Angel et al. D13/120
D354,939 S * 1/1995 Jensen et al. D12/133
D435,788 S * 1/2001 Bunning D8/382
D443,504 S * 6/2001 Benz et al. D8/382
6,250,950 B1 * 6/2001 Pallai 439/441

D472,877 S * 4/2003 Jaag D13/133
6,689,955 B2 * 2/2004 Doutaz 174/652
D547,269 S * 7/2007 Sugita et al. D13/133
2001/0002349 A1 * 5/2001 Jaag 439/835
2002/0187670 A1 * 12/2002 Cisey 439/441
2003/0008569 A1 * 1/2003 Matsumoto et al. 439/835
2007/0178747 A1 * 8/2007 Schrader 439/441

* cited by examiner

Primary Examiner—T. Chase Nelson

Assistant Examiner—David G Muller

(74) *Attorney, Agent, or Firm*—Darby & Darby

(57) **CLAIM**

The ornamental design for a round clamp, as shown and described.

DESCRIPTION

FIG. 1 is a front, top and right side perspective view of the round clamp showing showing my new design;

FIG. 2 is a front view thereof;

FIG. 3 is a left side view thereof;

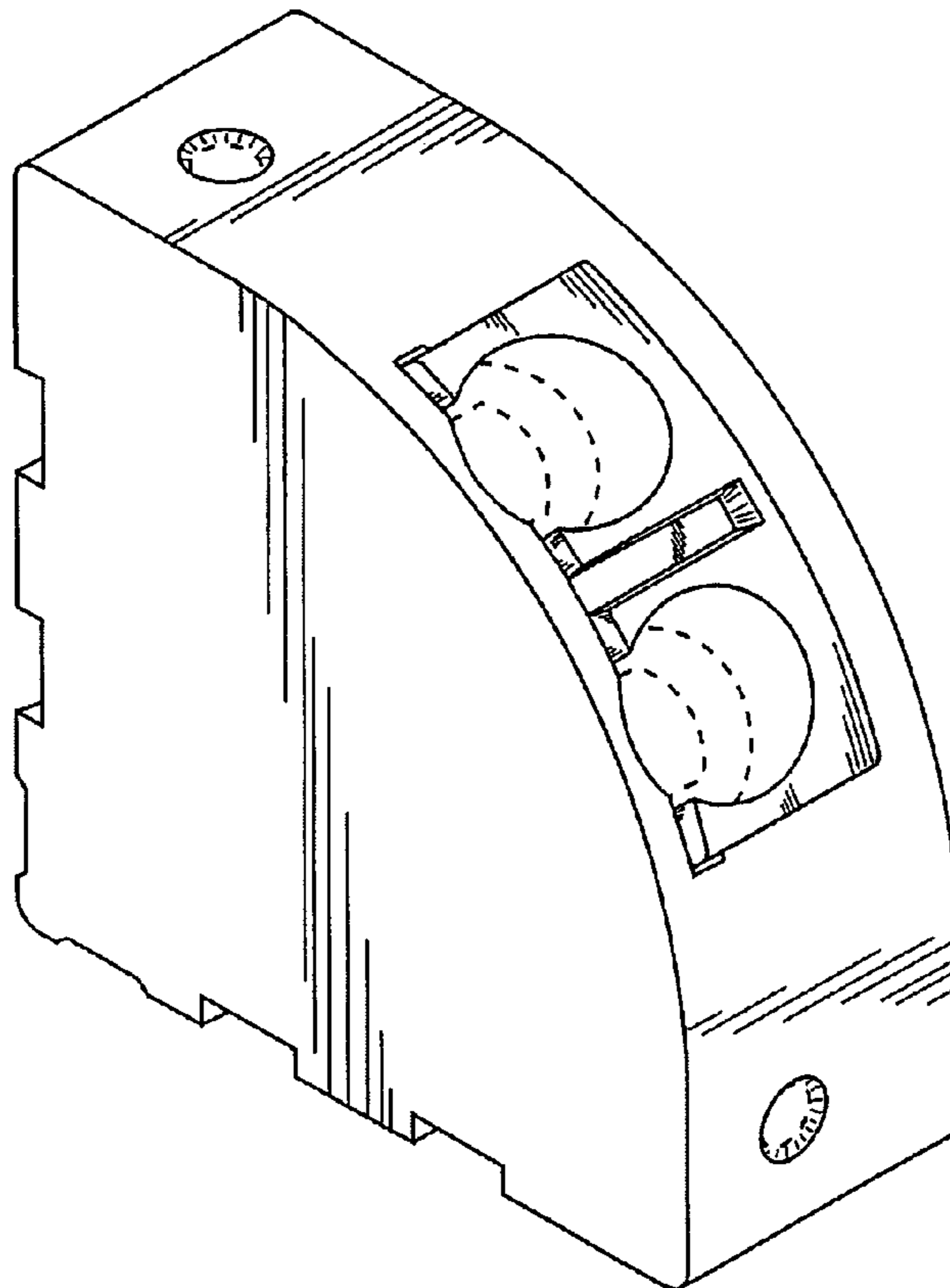
FIG. 4 is a top view thereof;

FIG. 5 is a bottom view thereof;

FIG. 6 is a back view thereof; and,

FIG. 7 is a right side view thereof.

1 Claim, 2 Drawing Sheets



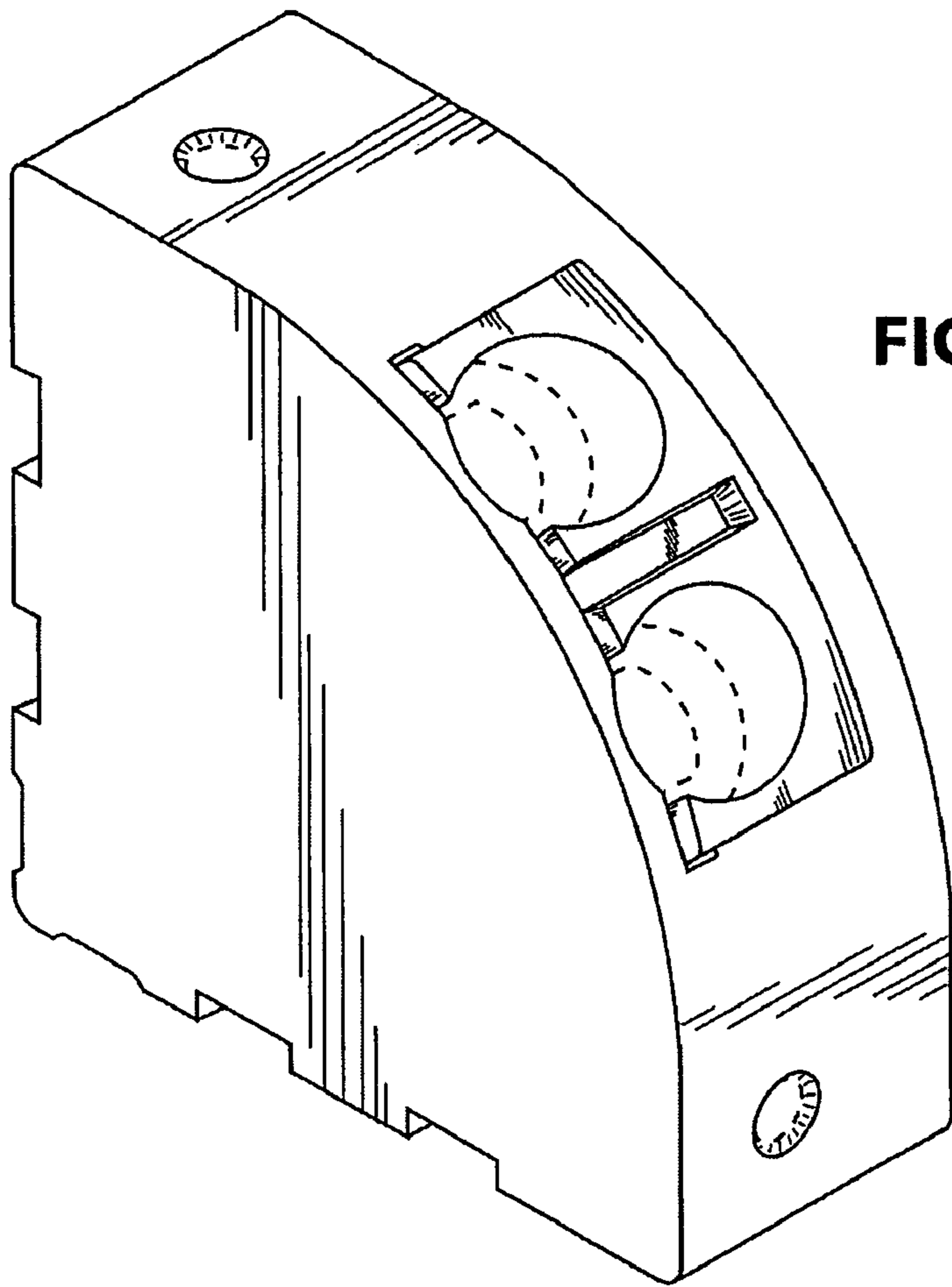


FIG. 1

FIG. 2

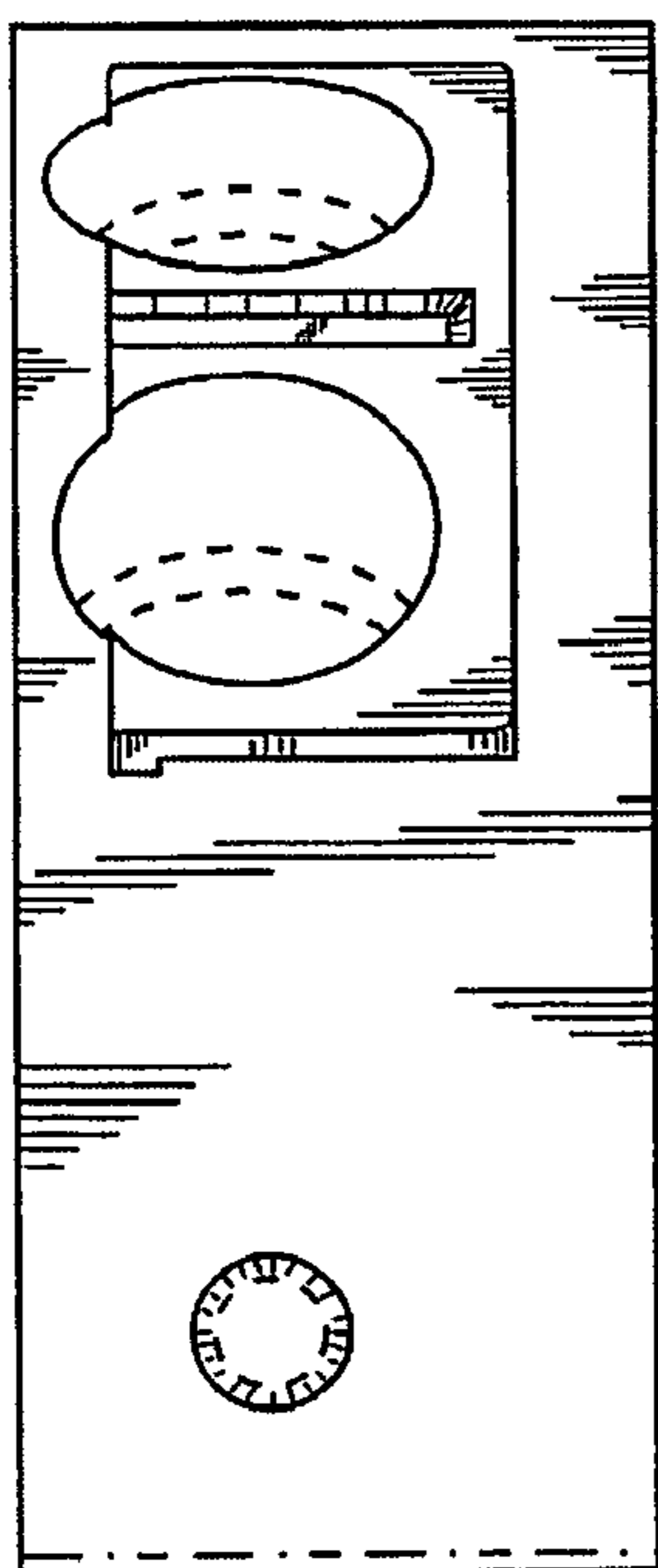
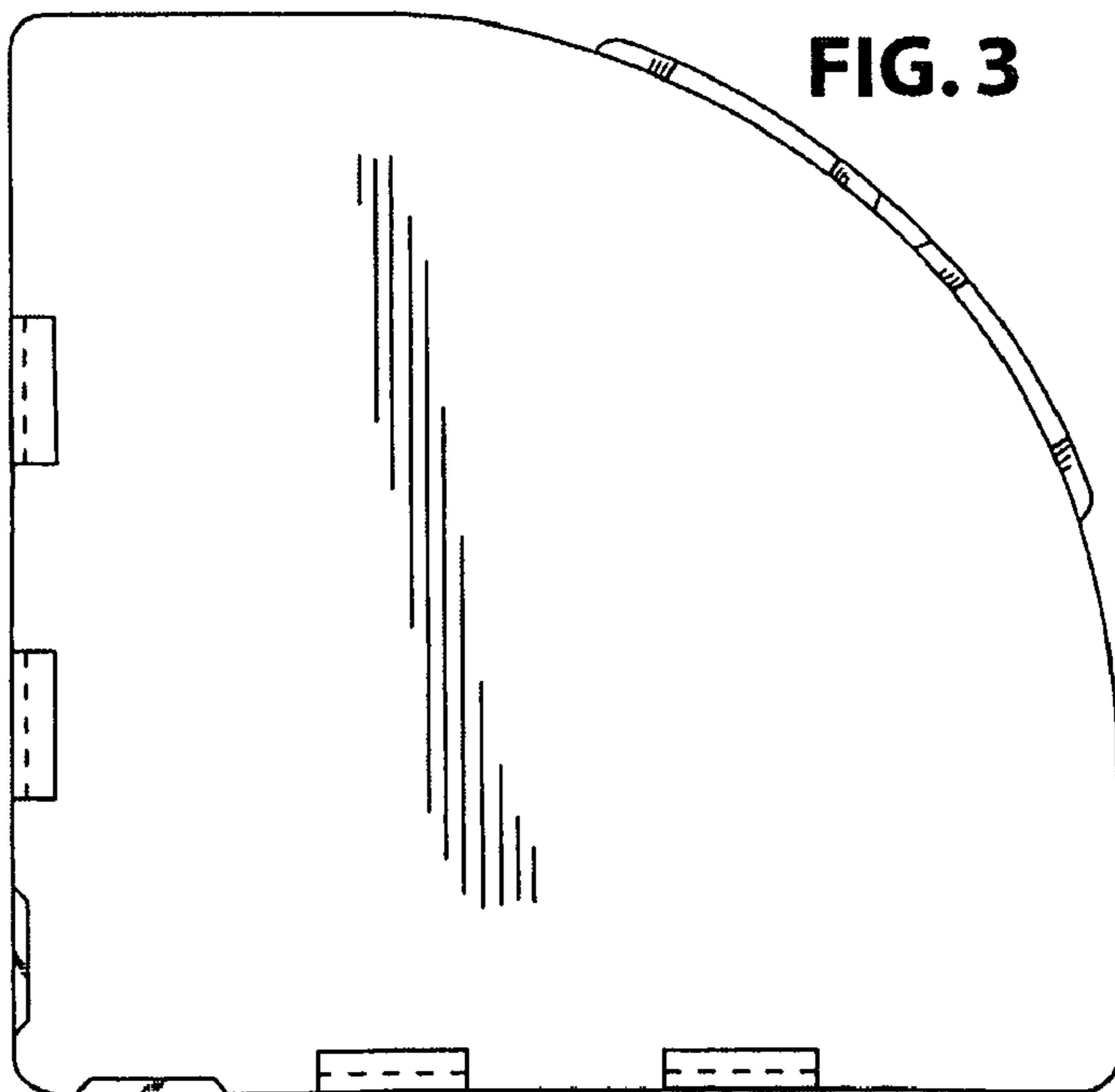


FIG. 3



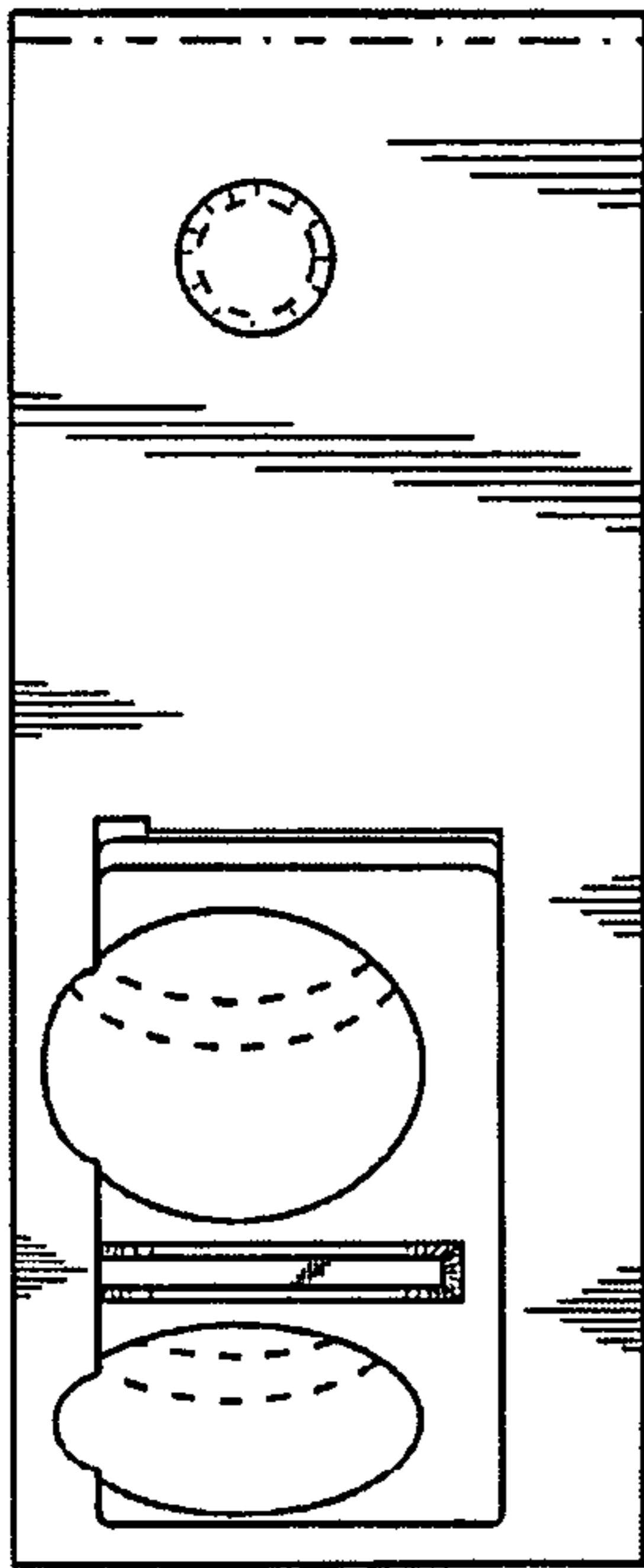


FIG. 4

FIG. 5

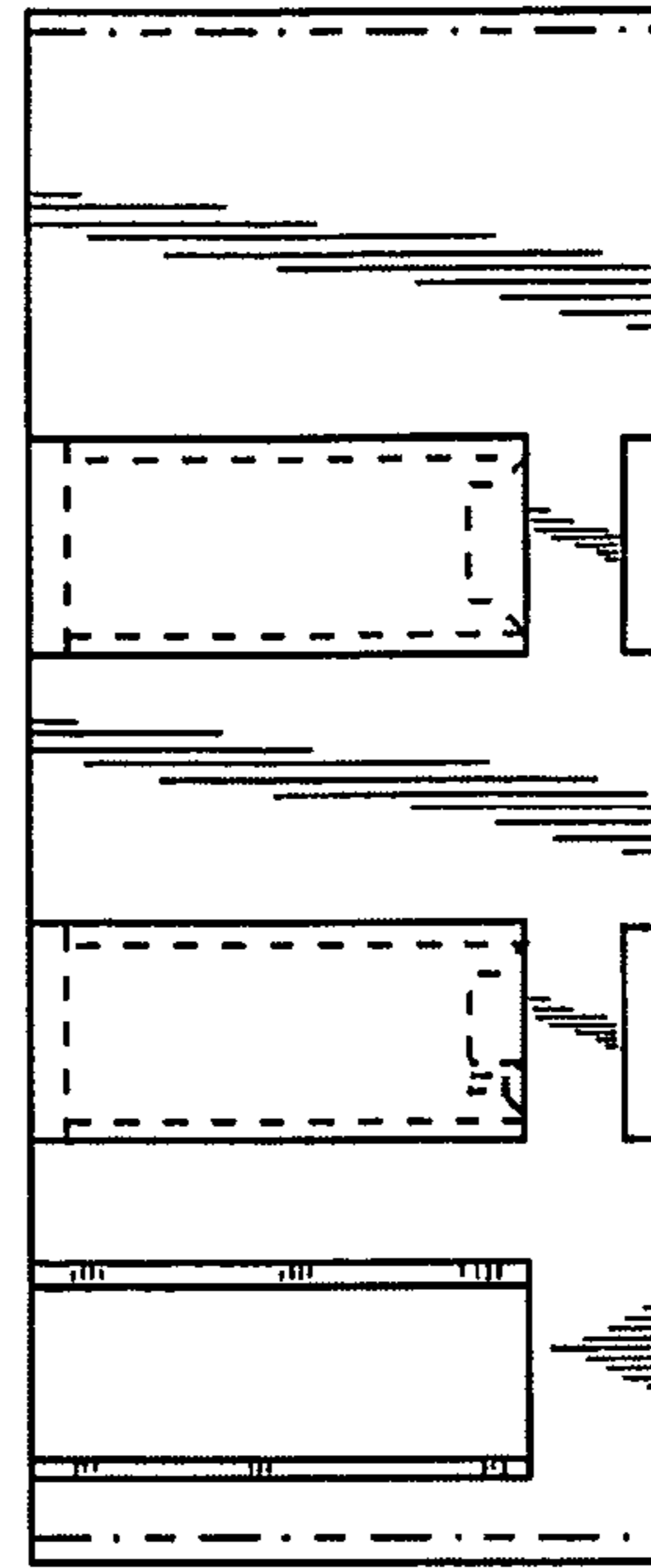


FIG. 6

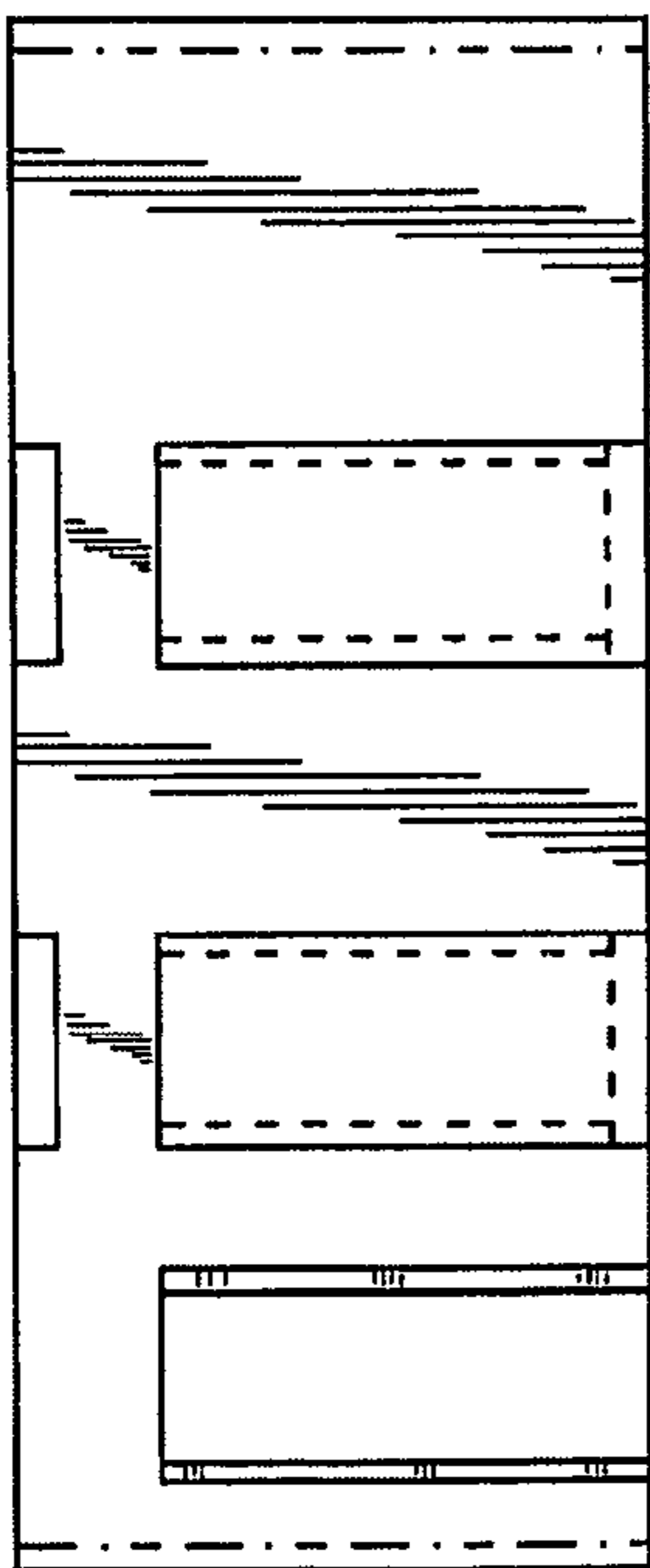


FIG. 7

