



US00D600989S

(12) **United States Design Patent**  
**Tano et al.**

(10) **Patent No.:** **US D600,989 S**  
(45) **Date of Patent:** **\*\* Sep. 29, 2009**

(54) **POLISHING PAD**

(75) Inventors: **Hiroyuki Tano**, Chuo-ku (JP); **Hiroshi Shiho**, Chuo-ku (JP)

(73) Assignee: **JSR Corporation**, Tokyo (JP)

(\*\*) Term: **14 Years**

(21) Appl. No.: **29/295,290**

(22) Filed: **Sep. 25, 2007**

**Related U.S. Application Data**

(62) Division of application No. 29/228,555, filed on Apr. 26, 2005, now Pat. No. Des. 559,066.

(30) **Foreign Application Priority Data**

Oct. 26, 2004	(JP)	.....	2004-32513
Oct. 26, 2004	(JP)	.....	2004-32514
Oct. 26, 2004	(JP)	.....	2004-32515
Oct. 26, 2004	(JP)	.....	2004-32516
Oct. 26, 2007	(JP)	.....	2004-32512

(51) **LOC (9) Cl.** ..... **08-05**

(52) **U.S. Cl.** ..... **D8/70**

(58) **Field of Classification Search** ..... D8/61,  
D8/62, 63, 70; D15/124, 126, 138, 139,  
D15/140; 15/230; 83/835; 451/6, 60, 287,  
451/288, 359, 446, 526, 527, 533, 541, 548,  
451/550

See application file for complete search history.

(56) **References Cited**

**U.S. PATENT DOCUMENTS**

88,649 A	4/1869	Machamer
494,471 A	3/1893	Gardner
4,693,036 A	9/1987	Mori
5,007,207 A	4/1991	Phaal
5,400,547 A	3/1995	Tanaka et al.
D376,744 S	12/1996	Eisenblatter
5,718,620 A	2/1998	Tanaka et al.
5,851,140 A	12/1998	Barns et al.

5,899,799 A	5/1999	Tjaden et al.
5,921,855 A	7/1999	Osterheld et al.
5,984,769 A	11/1999	Bennett et al.
6,033,293 A	3/2000	Crevasse et al.
6,056,632 A	5/2000	Mitchel et al.
6,089,966 A	7/2000	Arai et al.
6,220,942 B1	4/2001	Tolles et al.

(Continued)

**FOREIGN PATENT DOCUMENTS**

JP	115633	9/2002
----	--------	--------

(Continued)

*Primary Examiner*—T. Chase Nelson

(74) *Attorney, Agent, or Firm*—Oblon, Spivak, McClelland, Maier & Neustadt, L.L.P.

(57) **CLAIM**

The ornamental design for a polishing pad, as shown and described.

**DESCRIPTION**

FIG. 1 is a top plan view of a polishing pad showing our new design;

FIG. 2 is a front elevational view thereof, the rear elevation view, left and right side elevational views being a mirror image of the side shown;

FIG. 3 is a bottom plan view thereof;

FIG. 4 is a partial, enlarged view of portion 4—4 in FIG. 1;

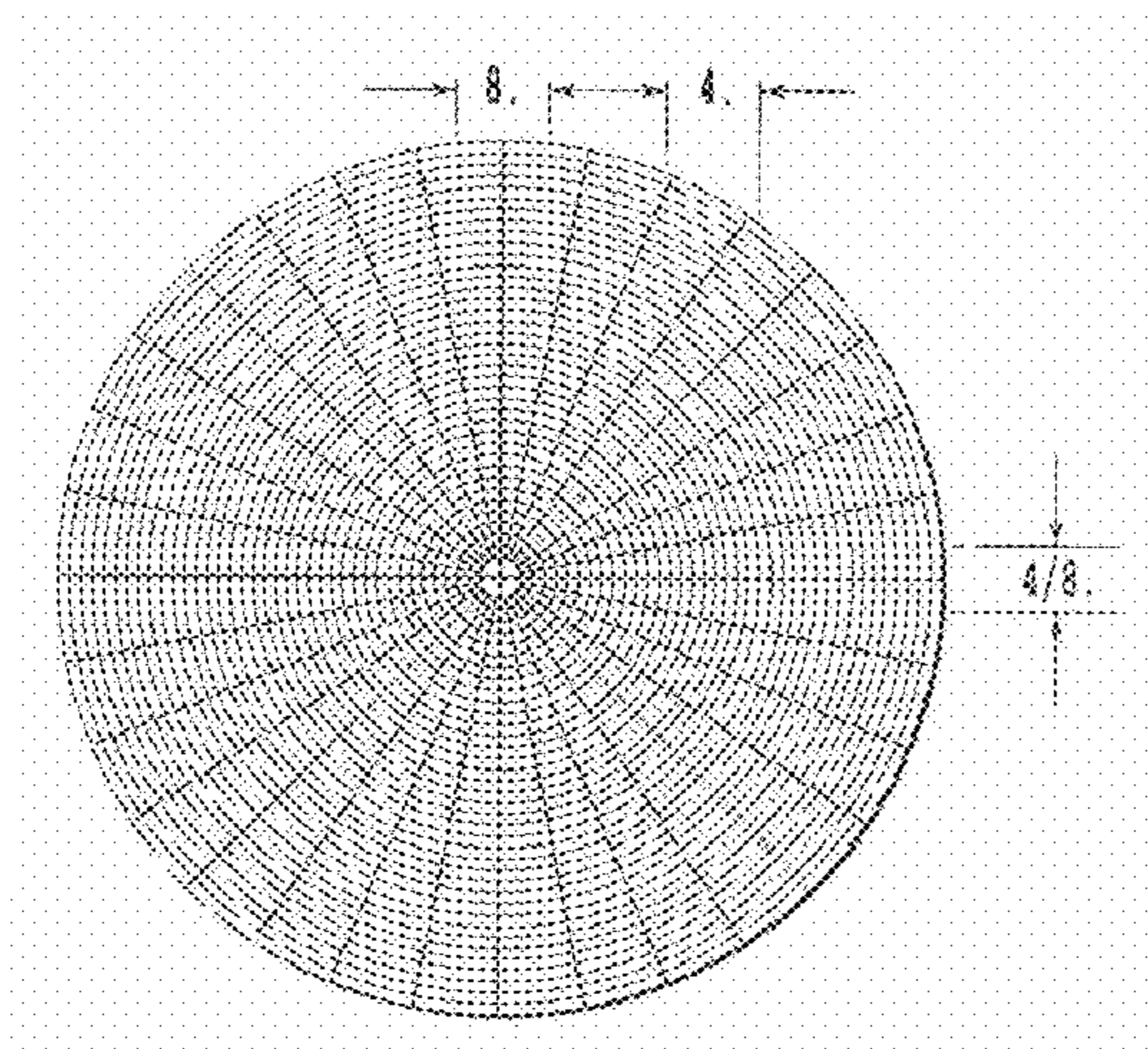
FIG. 5 is a partial, enlarged sectional view taken along line 5—5 in FIG. 4

FIG. 6 is a partial, enlarged sectional view taken along line 6—6 in FIG. 4;

FIG. 7 is a partial, greatly enlarged sectional view of portion 7 in FIG. 5; and,

FIG. 8 is a partial, enlarged view of portion 8—8 in FIG. 1.

**1 Claim, 4 Drawing Sheets**



# US D600,989 S

Page 2

## U.S. PATENT DOCUMENTS

6,332,830	B1	12/2001	Okamura et al.	
6,402,594	B1	6/2002	Kobayashi et al.	
6,422,922	B1	7/2002	Okamura et al.	
6,517,417	B2	2/2003	Roberts et al.	
6,520,847	B2	2/2003	Osterheld et al.	
6,592,438	B2	7/2003	Tolles et al.	
6,645,061	B1	11/2003	Bennett et al.	
D490,827	S	6/2004	Okugawa	
6,824,447	B2	11/2004	Takahashi et al.	
6,837,780	B1	1/2005	Broido	
D510,850	S	10/2005	Boler, Jr.	
6,986,706	B1	1/2006	Cooper et al.	
7,029,747	B2	4/2006	Huh et al.	
7,112,119	B1	9/2006	Swedek et al.	
7,121,938	B2	10/2006	Suzuki	
7,140,955	B2 *	11/2006	Nabeya .....	451/287
7,183,213	B2	2/2007	Shiho et al.	
7,201,640	B2 *	4/2007	Nakamura et al. ....	451/287
D559,063	S *	1/2008	Okamoto et al. ....	D8/70
D559,064	S *	1/2008	Okamoto et al. ....	D8/70
D559,065	S *	1/2008	Miyauchi et al. ....	D8/70
D559,648	S *	1/2008	Miyauchi et al. ....	D8/70
7,329,174	B2 *	2/2008	Hosaka et al. ....	451/526
7,357,703	B2 *	4/2008	Nishimura et al. ....	451/526
2001/0005667	A1	6/2001	Tolles et al.	
2001/0034198	A1	10/2001	Kimura	

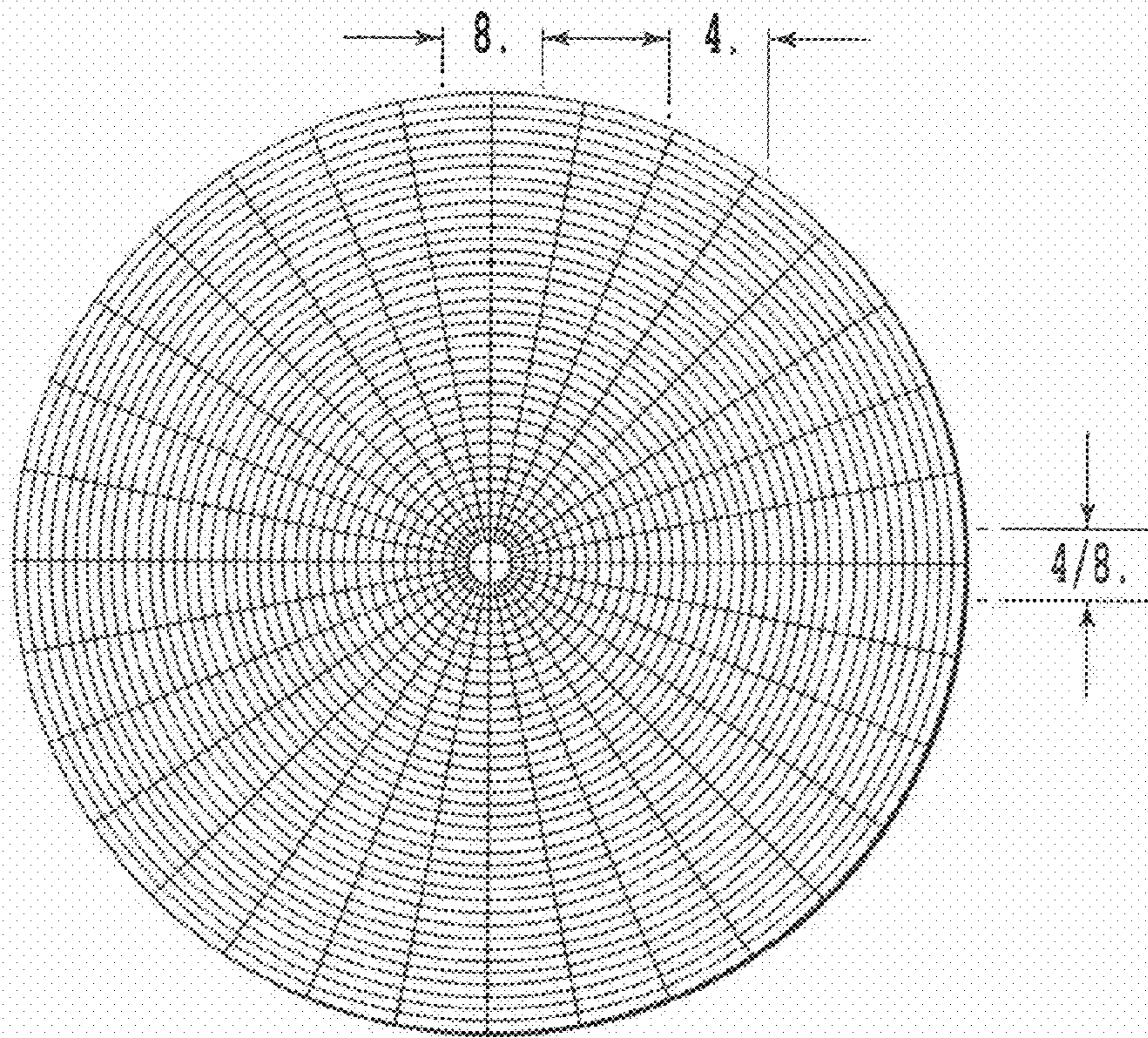
2002/0137450	A1	9/2002	Osterheld et al.	
2003/0092371	A1	5/2003	Osterheld et al.	
2004/0053566	A1	3/2004	Tolles et al.	
2004/0072516	A1	4/2004	Osterheld et al.	
2004/0082271	A1	4/2004	Wiswesser et al.	
2004/0127145	A1	7/2004	Takahashi et al.	
2004/0259483	A1	12/2004	Newell	
2005/0113011	A1	5/2005	Miyauchi et al.	
2005/0142996	A1	6/2005	Ohno et al.	
2005/0148183	A1	7/2005	Shiro et al.	
2005/0191945	A1	9/2005	Petroski et al.	
2005/0211376	A1	9/2005	Prasad	
2005/0245171	A1	11/2005	Hosaka et al.	
2006/0037699	A1	2/2006	Nakamori et al.	
2006/0063471	A1	3/2006	Muldowney	
2006/0229002	A1 *	10/2006	Muldowney .....	451/527
2006/0276109	A1	12/2006	Roy et al.	
2007/0049167	A1	3/2007	Swedek et al.	
2007/0149096	A1 *	6/2007	Nishimura et al. ....	451/527
2007/0197143	A1 *	8/2007	Lim et al. ....	451/526
2008/0003935	A1 *	1/2008	Feng et al. ....	451/527
2008/0064311	A1 *	3/2008	Suzuki .....	451/527
2008/0070488	A1 *	3/2008	Fujita .....	451/446

## FOREIGN PATENT DOCUMENTS

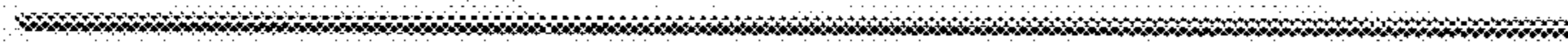
JP	1156872	9/2002
----	---------	--------

\* cited by examiner

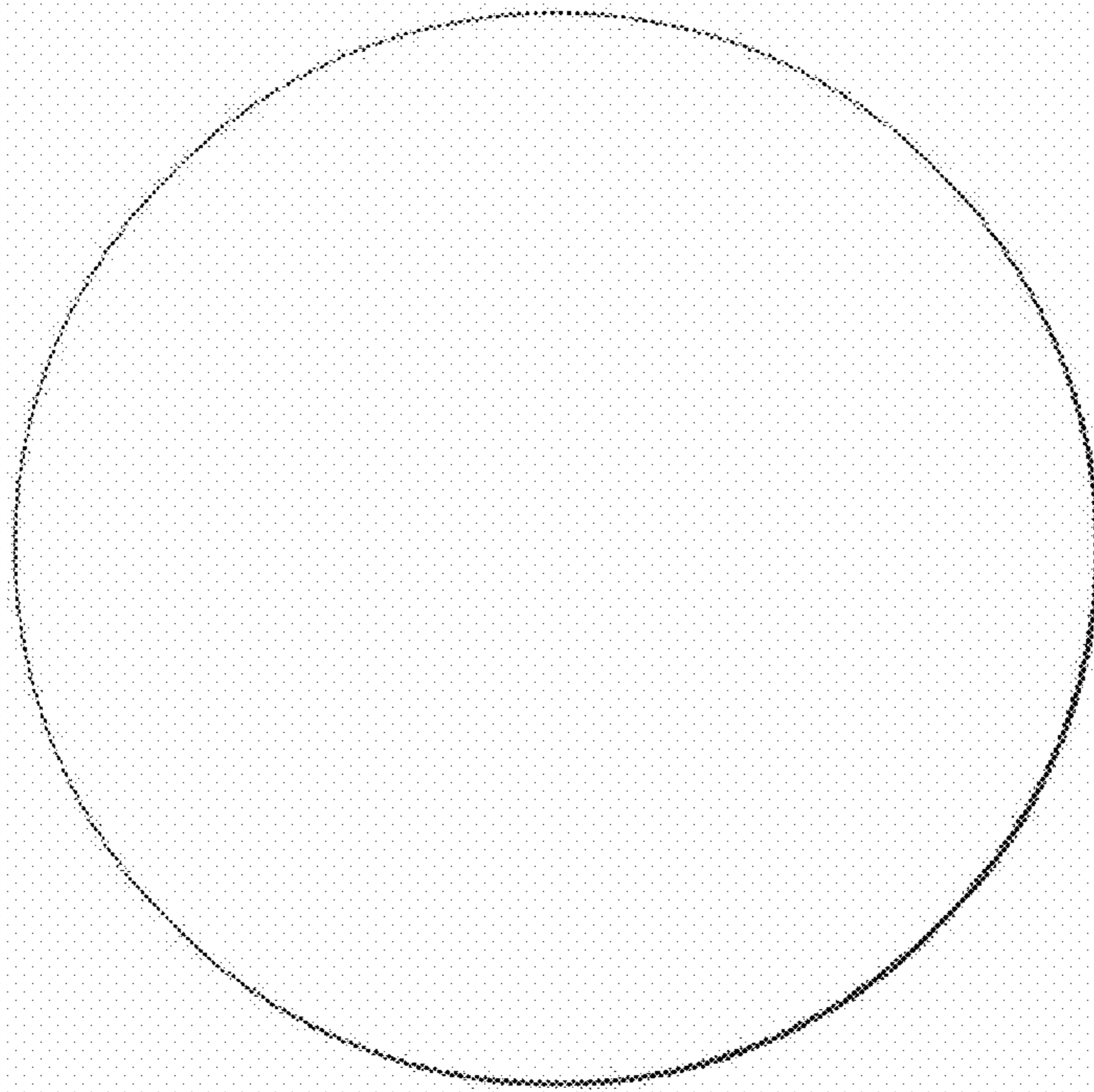




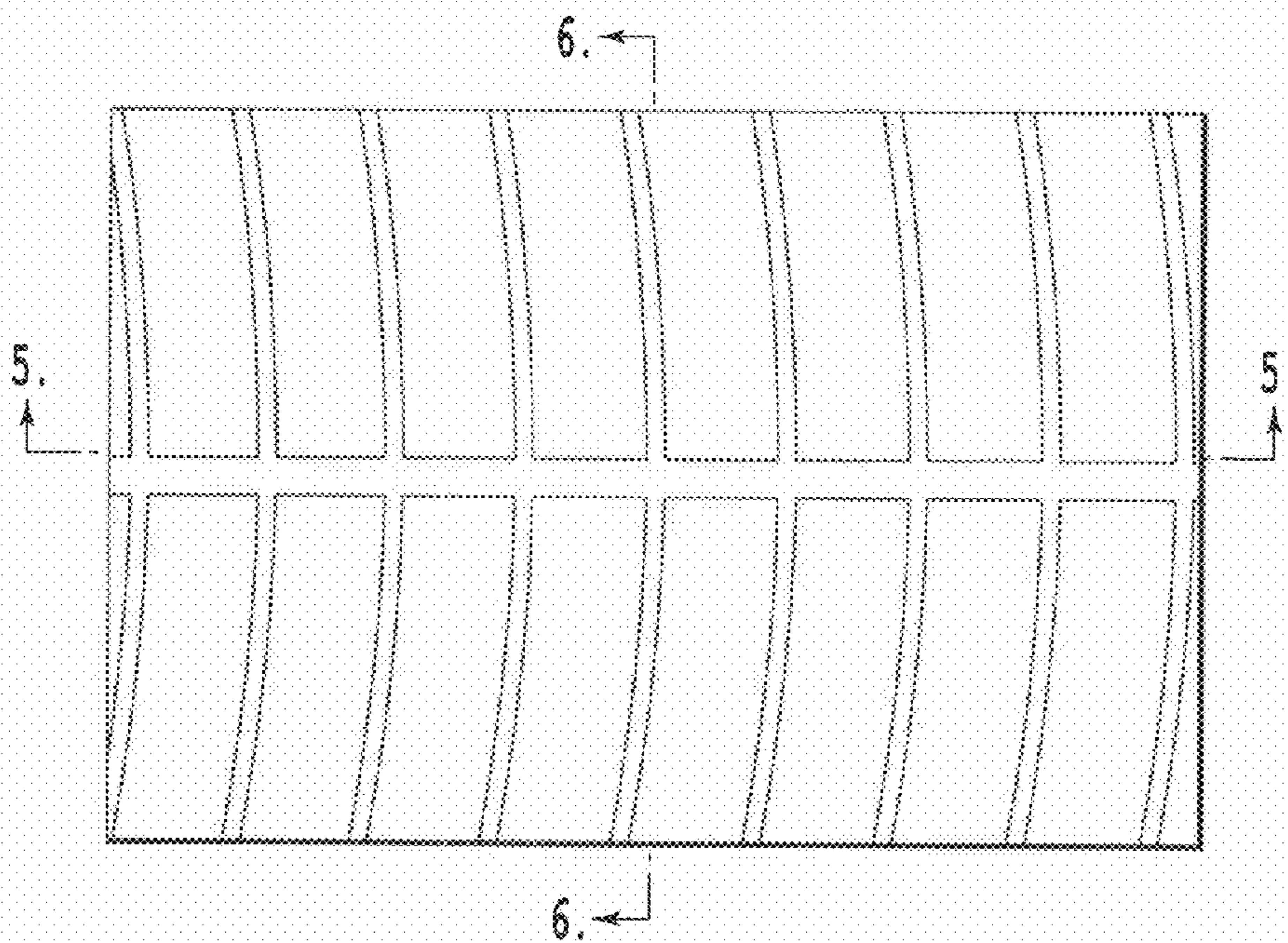
*Fig. 1*



*Fig. 2*

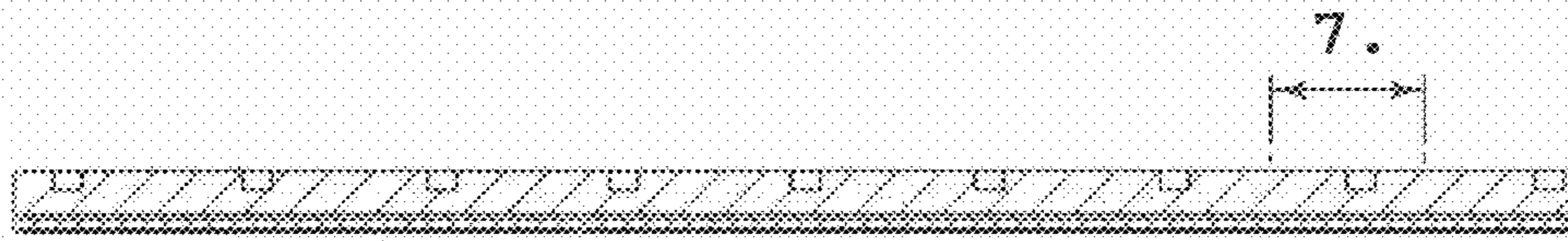


*Fig. 3*



*Fig. 4*

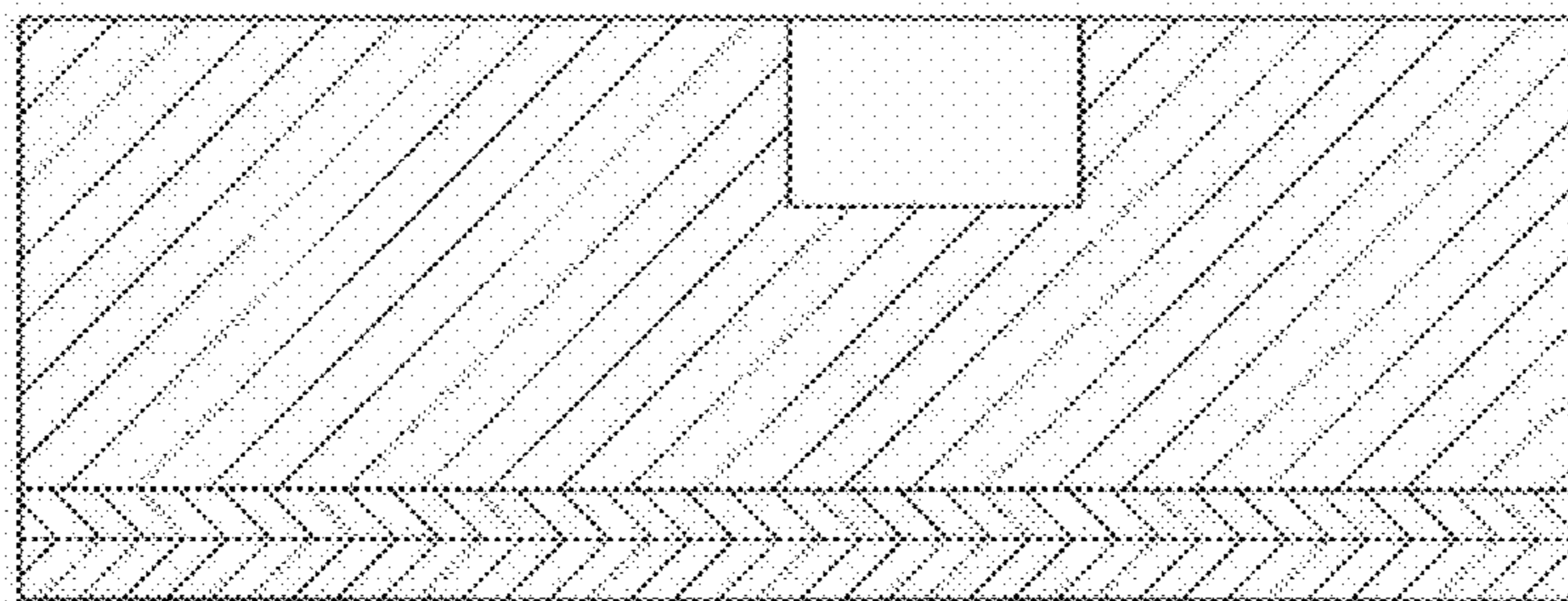




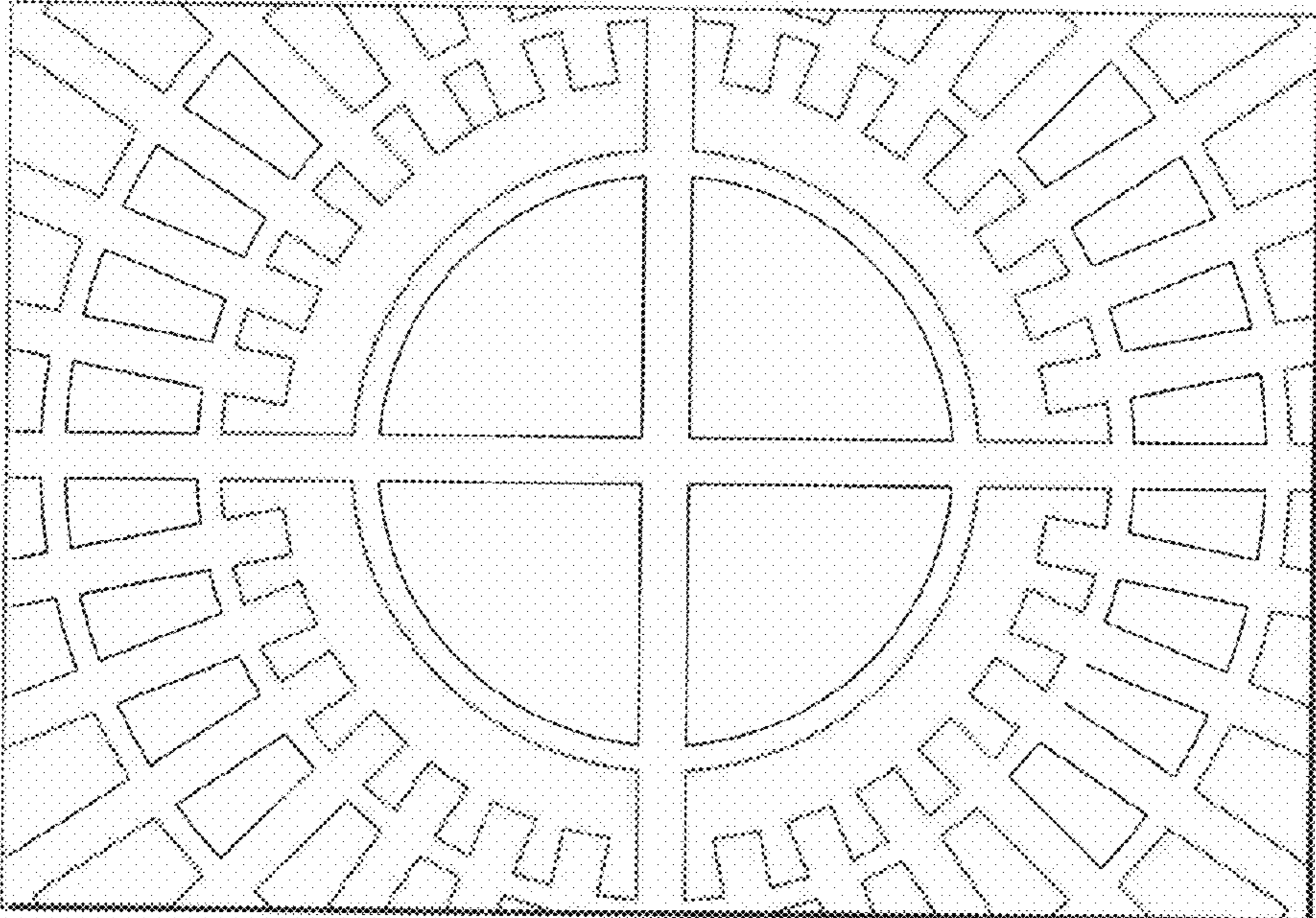
*Fig. 5*



*Fig. 6*



*Fig. 7*



*Fig. 8*

UNITED STATES PATENT AND TRADEMARK OFFICE  
**CERTIFICATE OF CORRECTION**

PATENT NO. : Des. 600,989 S  
APPLICATION NO. : 29/295290  
DATED : September 29, 2009  
INVENTOR(S) : Tano et al.

Page 1 of 1

It is certified that error appears in the above-identified patent and that said Letters Patent is hereby corrected as shown below:

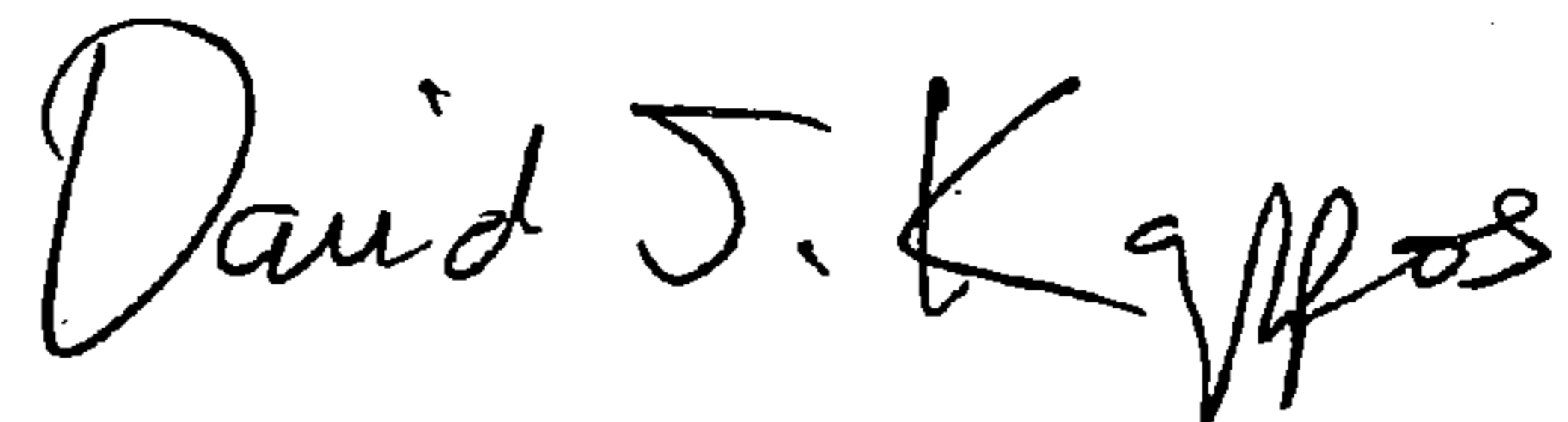
On the title page, Item (30), The Foreign Application Priority Data should read:

-- (30)           **Foreign Application Priority Data**

Oct. 26, 2004	(JP)	.....	2004-32513
Oct. 26, 2004	(JP)	.....	2004-32514
Oct. 26, 2004	(JP)	.....	2004-32515
Oct. 26, 2004	(JP)	.....	2004-32516
Oct. 26, 2004	(JP)	.....	2004-32512 --

Signed and Sealed this

Twenty-fourth Day of November, 2009



David J. Kappos  
*Director of the United States Patent and Trademark Office*