



US00D600988S

(12) **United States Design Patent**
Davies et al.

(10) **Patent No.:** **US D600,988 S**
(45) **Date of Patent:** **** Sep. 29, 2009**

(54) **CRAFT STAPLER**

(75) Inventors: **Gareth Davies**, Bridgend (GB); **Simon Bathard**, Bridgend (GB)

(73) Assignee: **Tonic Studios Limited**, Bridgend (GB)

(**) Term: **14 Years**

(21) Appl. No.: **29/337,764**

(22) Filed: **May 29, 2009**

(30) **Foreign Application Priority Data**

Apr. 28, 2009 (EM) 001130561-0001

(51) **LOC (9) Cl.** **19-02**

(52) **U.S. Cl.** **D8/50**; D8/49

(58) **Field of Classification Search** D8/49,
D8/50, 61, 68, 69; D19/72, 73, 65, 69; D21/532;
D24/145; 7/158, 160; 227/4, 5, 6, 7, 8, 120,
227/127, 128, 131, 132, 134, 144, 156, 175.1;
606/139, 143, 153, 219; D10/104, 106
See application file for complete search history.

(56) **References Cited**

U.S. PATENT DOCUMENTS

- D343,368 S * 1/1994 Witzky et al. D10/106
- D373,385 S * 9/1996 Birkholz D19/72
- D383,991 S * 9/1997 Leyden et al. D10/104
- D407,615 S * 4/1999 Cerulo et al. D8/51
- D448,279 S * 9/2001 Powell D8/386
- D463,498 S * 9/2002 Breche D19/72
- D470,186 S * 2/2003 Fuss D20/22
- D471,121 S * 3/2003 Perez D10/106

- D492,214 S * 6/2004 Sayegh et al. D10/104
- D501,884 S * 2/2005 Davies et al. D19/72
- 7,474,216 B2 * 1/2009 Skjellerup et al. 340/572.1
- 2002/0158762 A1 * 10/2002 Nguyen et al. 340/572.9

OTHER PUBLICATIONS

Pictures and descriptions of Fastenater Decorative Stapler, downloaded Jul. 14, 2009 (4 pages) available at http://www.eksuccess.com/products_detail.php?product_id=6969&sess_id=7ece2d1688f26ac987736a52b04fbd38.

* cited by examiner

Primary Examiner—Cathron C Brooks

Assistant Examiner—Austin Murphy

(74) *Attorney, Agent, or Firm*—Gordon & Jacobson, PC

(57) **CLAIM**

The ornamental design for a craft stapler, as shown and described.

DESCRIPTION

FIG. 1 is a front view of the craft stapler of the present invention;

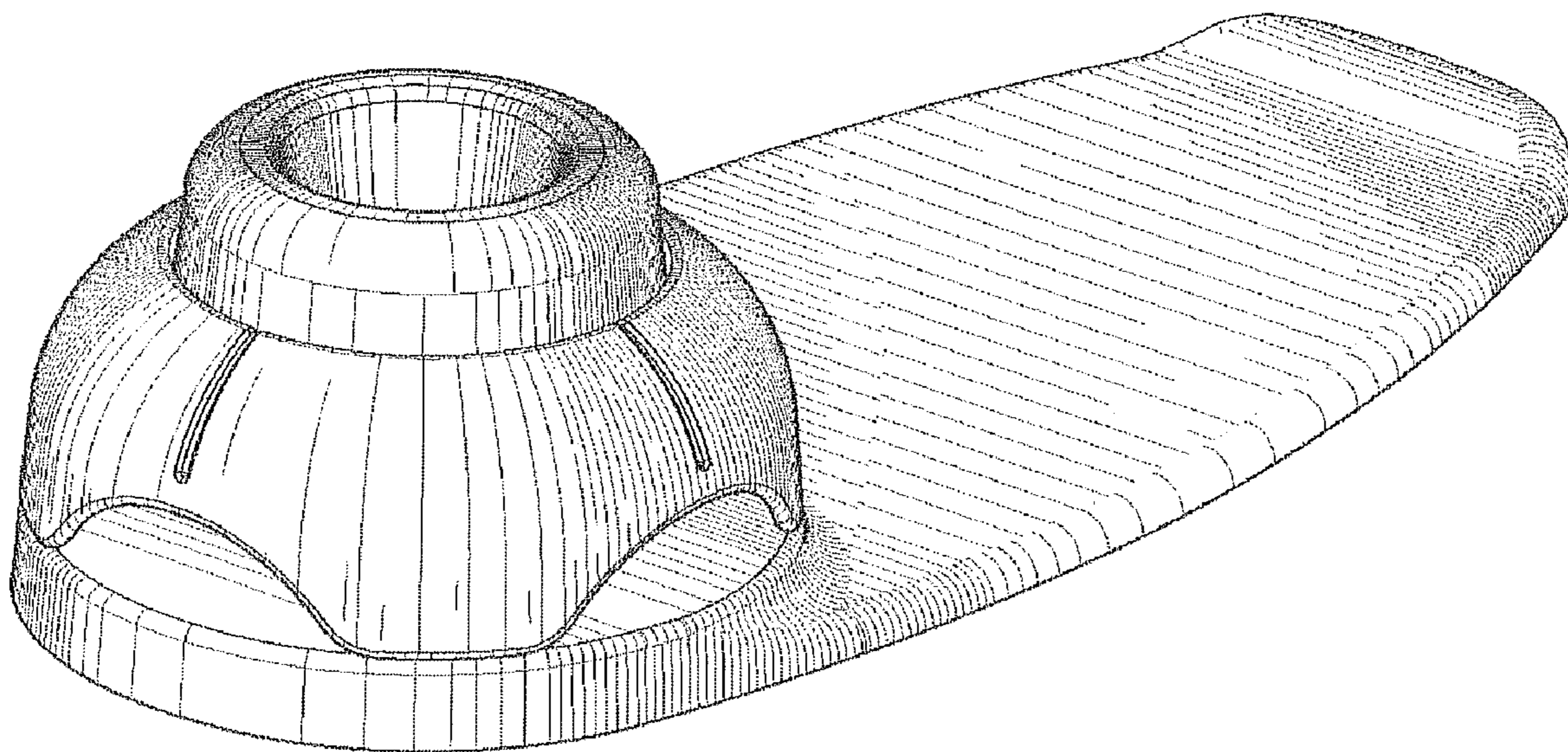
FIG. 2 is a top view of the craft stapler of the present invention;

FIG. 3 is side view of the craft stapler of the present invention; and,

FIG. 4 is a perspective view of the craft stapler of the present invention.

The broken lines shown in FIG. 2 represent unclaimed portions of the craft stapler and form no part of the claimed design.

1 Claim, 2 Drawing Sheets



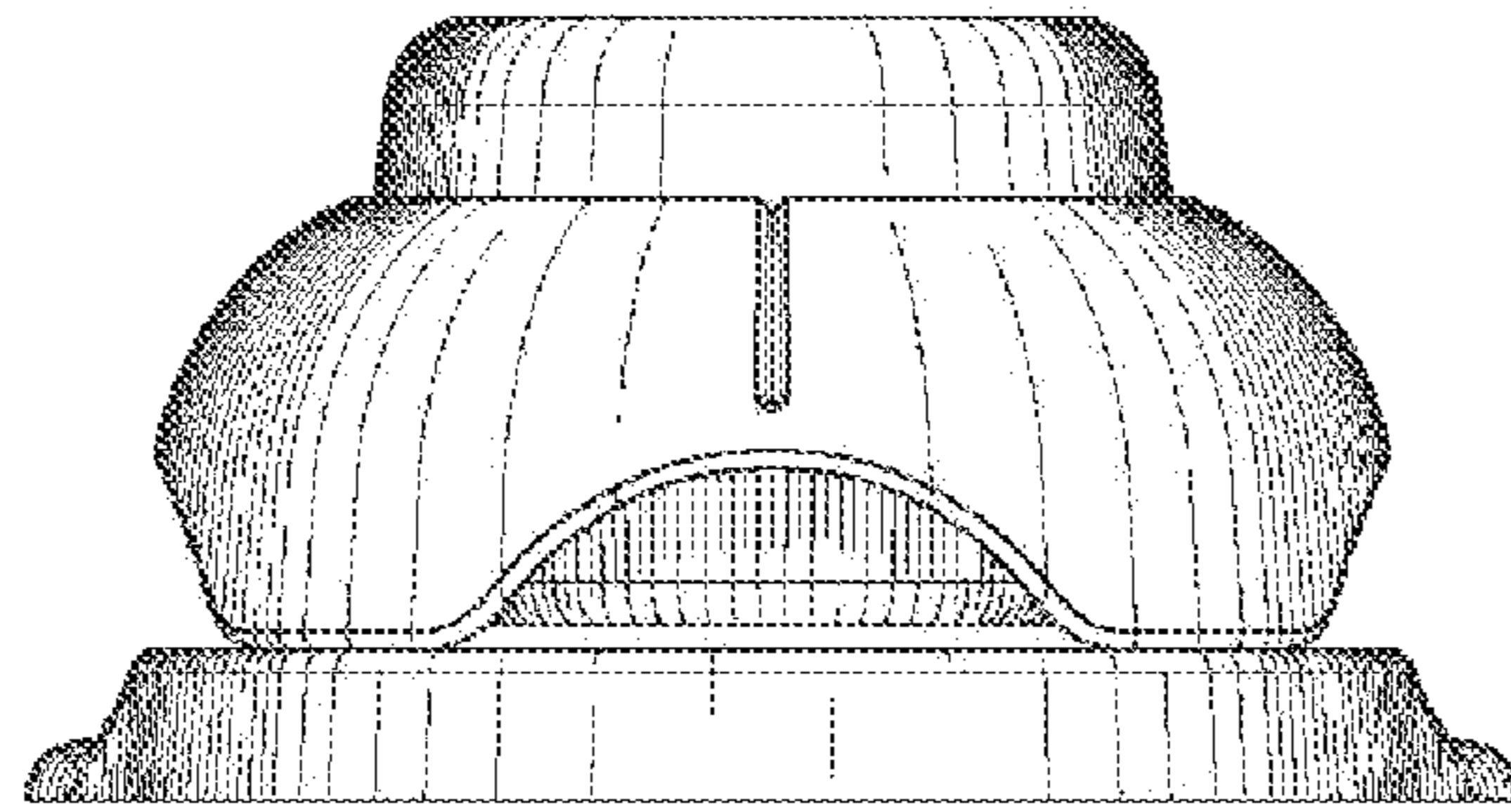


Fig 1.

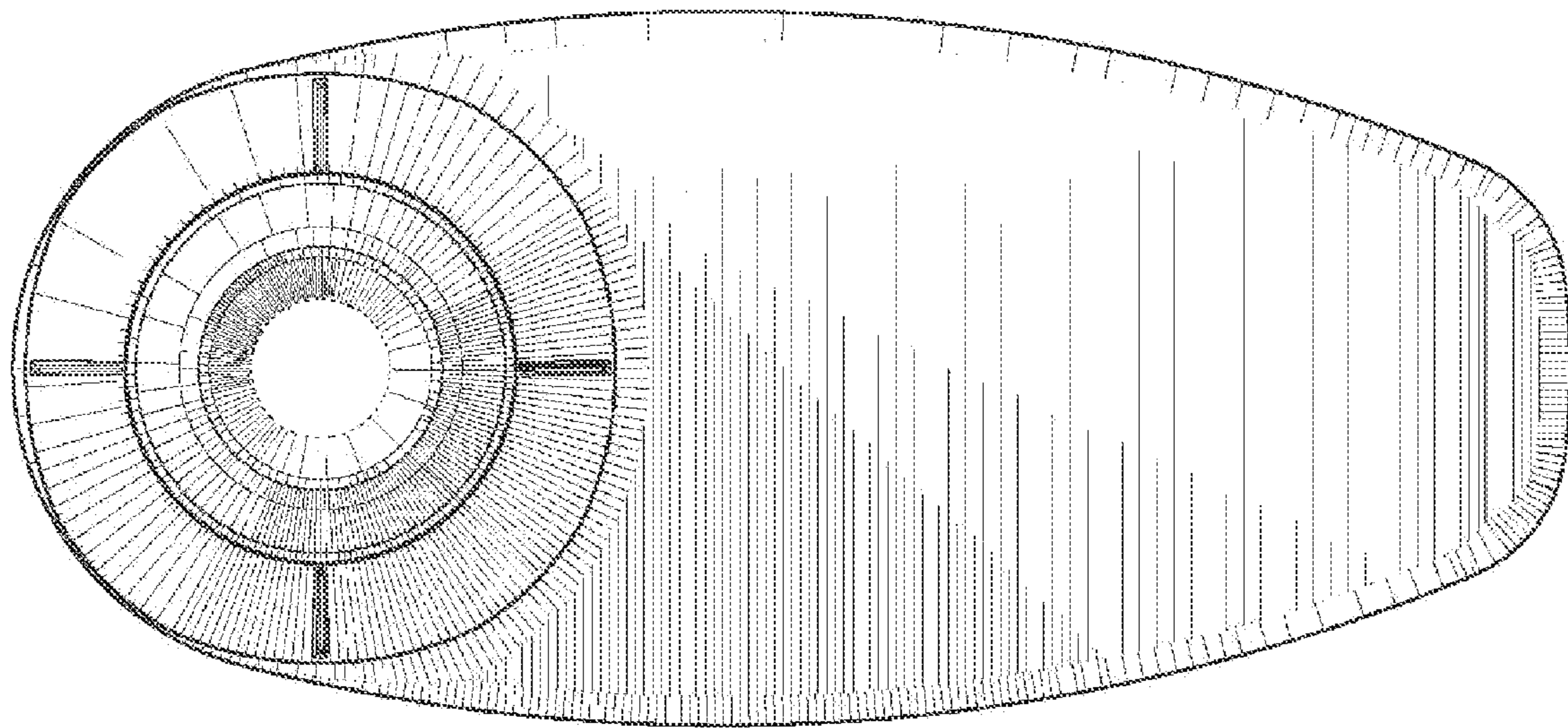


Fig 2.

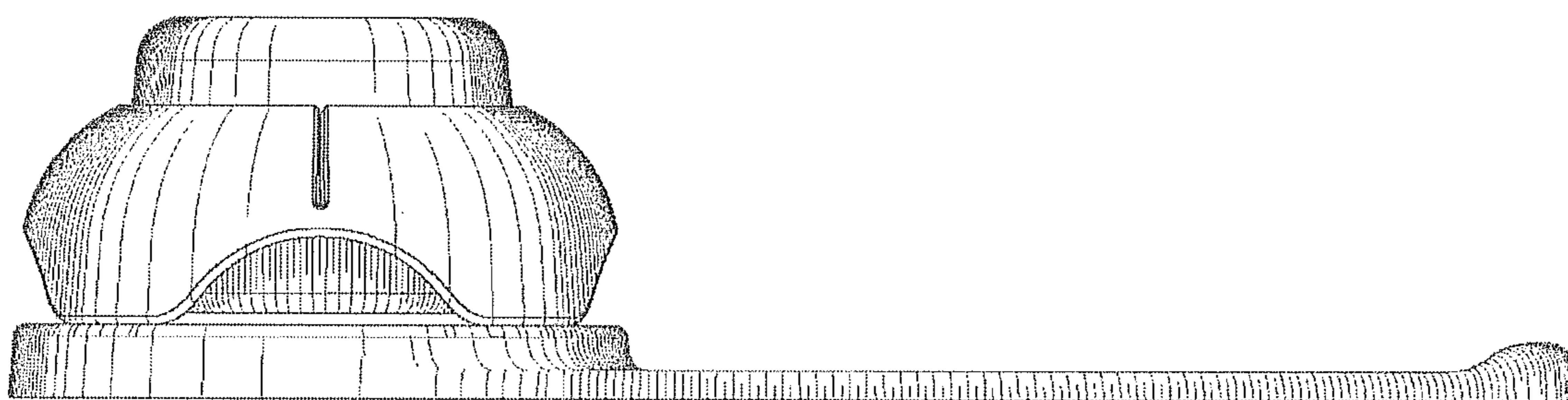


Fig 3.

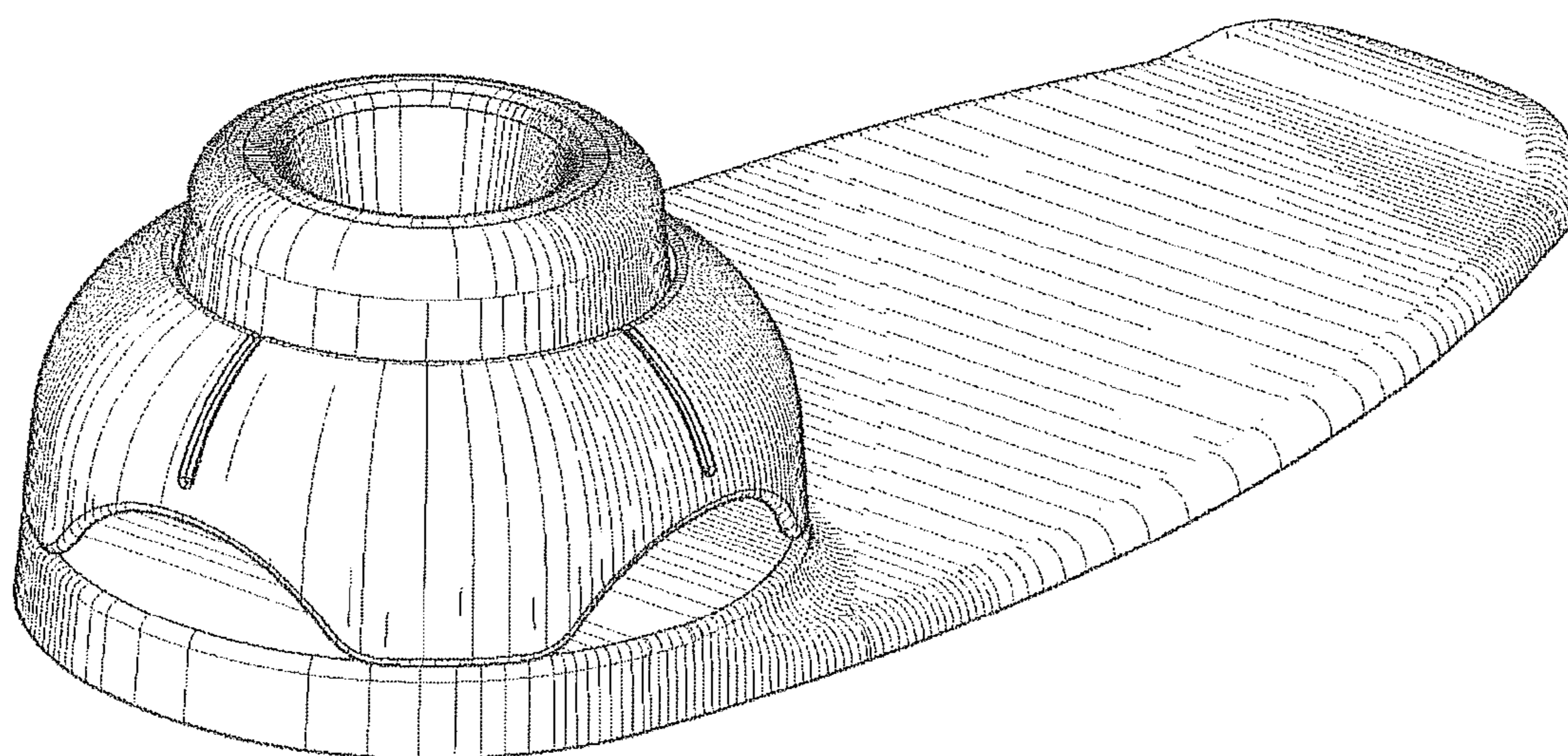


Fig 4.