



US00D600979S

(12) **United States Design Patent**  
**Chen**

(10) **Patent No.:** **US D600,979 S**

(45) **Date of Patent:** **\*\* Sep. 29, 2009**

(54) **MICROWAVABLE CONTAINER**

(76) **Inventor:** **Chung-Ming Chen**, 2 Fl., No. 13, Lane  
218, Chuan-Hsien St., Taipei (TW) 112

(\*\*) **Term:** **14 Years**

(21) **Appl. No.:** **29/319,498**

(22) **Filed:** **Jun. 10, 2008**

(51) **LOC (9) Cl.** ..... **07-01**

(52) **U.S. Cl.** ..... **D7/542; D7/538**

(58) **Field of Classification Search** ..... D7/542,  
D7/538, 587, 554.3, 701-708, 354-358, 360,  
D7/361, 601, 602, 500, 543; D3/314, 201,  
D3/307; D9/425, 707, 452, 453, 419, 426,  
D9/428, 424, 427, 429-432; 426/523; 219/728,  
219/732; 229/406; 220/608, 4.23, 4.22,  
220/4.24; 206/544, 520; 62/457.6

See application file for complete search history.

(56) **References Cited**

**U.S. PATENT DOCUMENTS**

D16,060 S *	4/1885	Haviland	.....	D7/538
D106,858 S *	11/1937	Cornell	.....	D7/542
2,131,663 A *	9/1938	Hughes	.....	220/772
D218,347 S *	8/1970	Aubecq	.....	D7/360
D228,114 S *	8/1973	De la Rosa	.....	D7/542
3,863,833 A *	2/1975	Swett et al.	.....	220/4.21
D241,802 S *	10/1976	Beaubian	.....	D7/505
D258,722 S *	3/1981	Commisso et al.	.....	D9/423
D268,560 S *	4/1983	Daenen et al.	.....	D7/609
D269,313 S *	6/1983	Swett et al.	.....	D7/505
D301,819 S *	6/1989	Watson et al.	.....	D7/542

D418,378 S *	1/2000	Lillelund et al.	.....	D7/629
D465,364 S *	11/2002	Childs et al.	.....	D9/435
D470,714 S *	2/2003	Kloppsteck	.....	D7/360
D475,893 S *	6/2003	Hottenroth et al.	.....	D7/542
D507,154 S *	7/2005	Kim	.....	D7/610
D568,108 S *	5/2008	Levien	.....	D7/542

\* cited by examiner

*Primary Examiner*—Robert M Spear

*Assistant Examiner*—Cynthia Underwood

(74) *Attorney, Agent, or Firm*—Rabin & Berdo, PC

(57) **CLAIM**

The ornamental design for a microwavable container, as shown and described.

**DESCRIPTION**

The present invention is a new and ornamental design for a microwavable container to use in microwave oven.

FIG. 1 is a perspective view of a microwavable container, showing our new design;

FIG. 2 is a front view thereof;

FIG. 3 is a rear view thereof;

FIG. 4 is a left side view thereof;

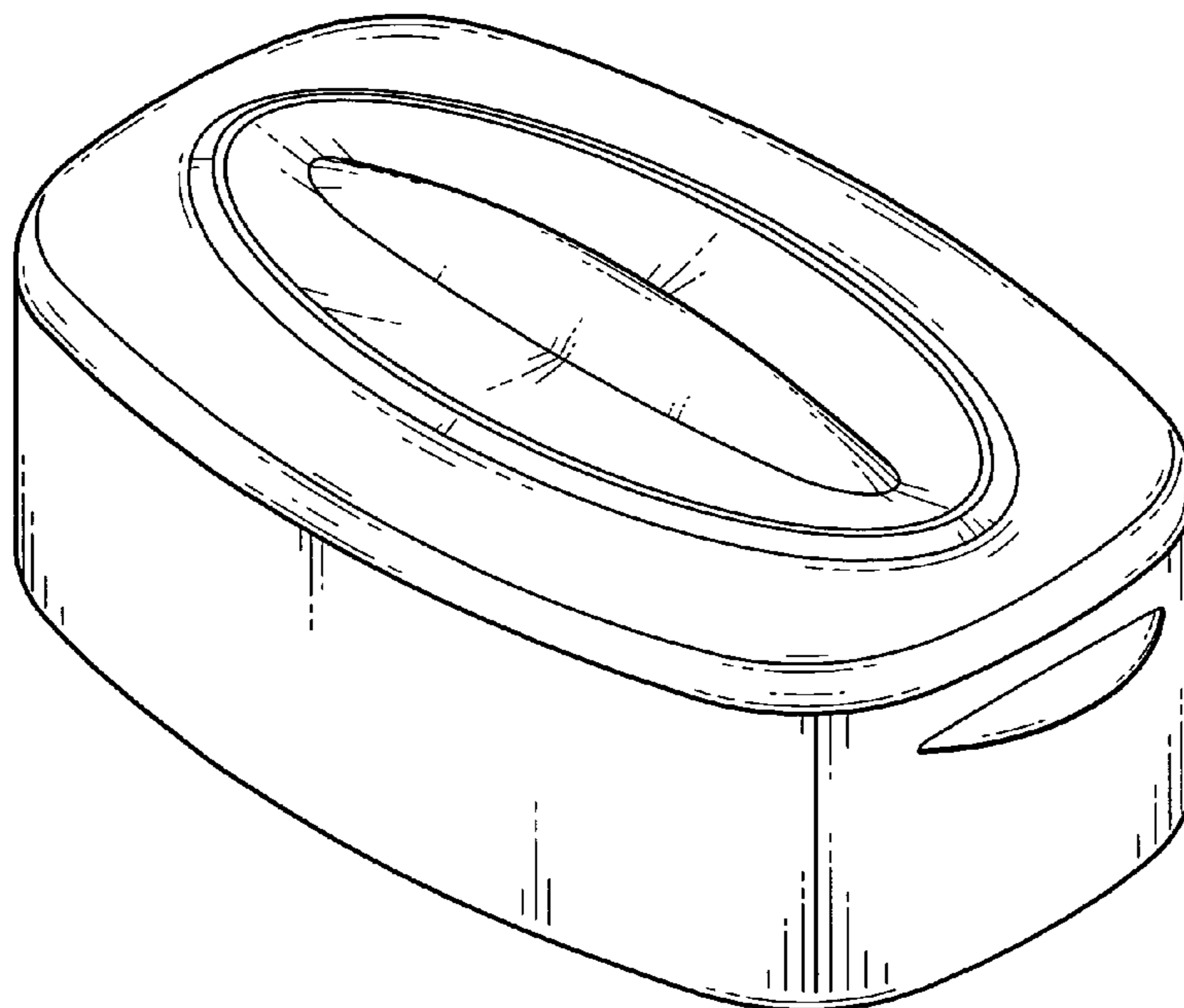
FIG. 5 is a right side view thereof;

FIG. 6 is a top plan view thereof;

FIG. 7 is a bottom plan view thereof; and,

FIG. 8 is a demonstration of which the top piece of the microwavable container is open.

**1 Claim, 8 Drawing Sheets**



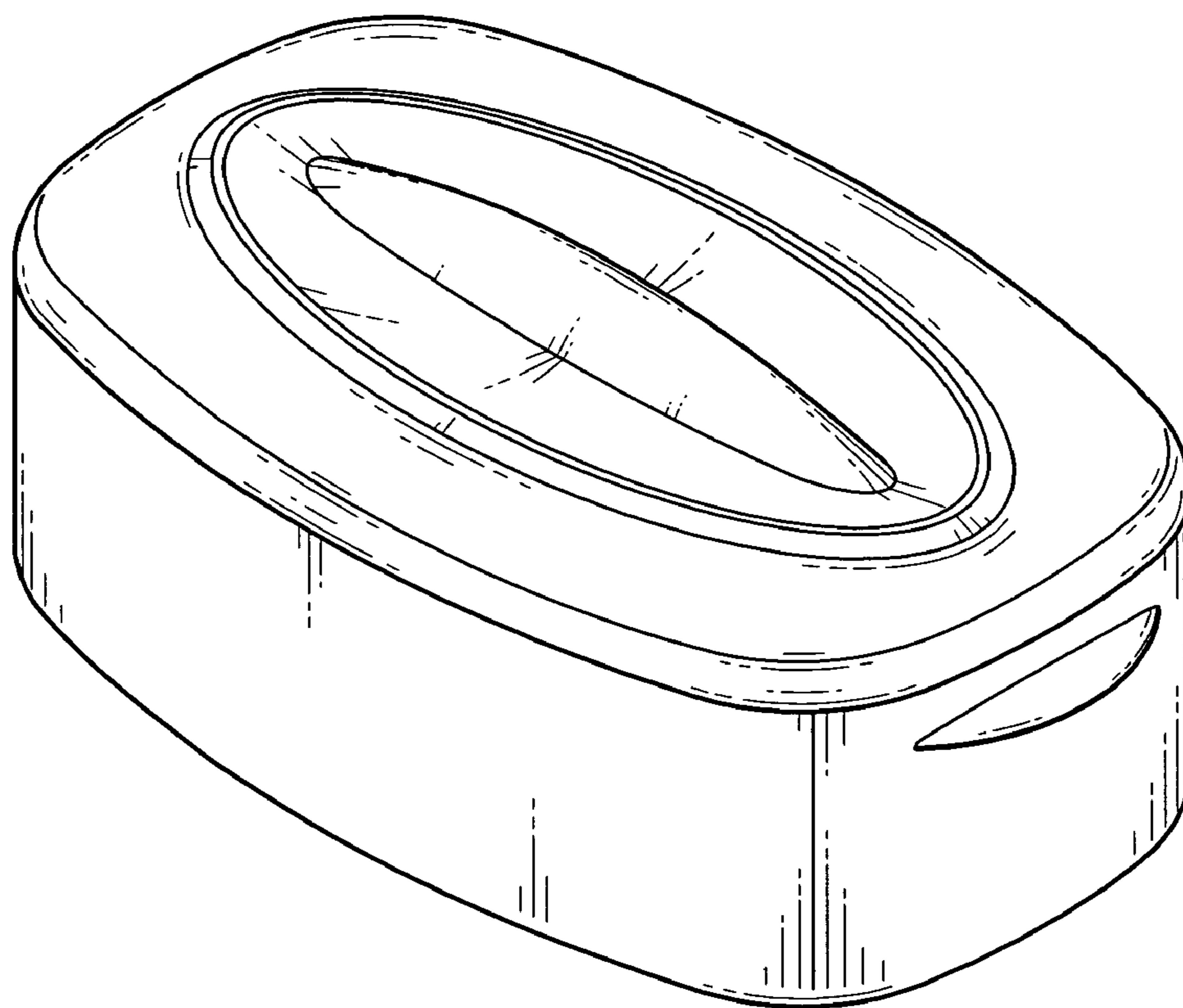
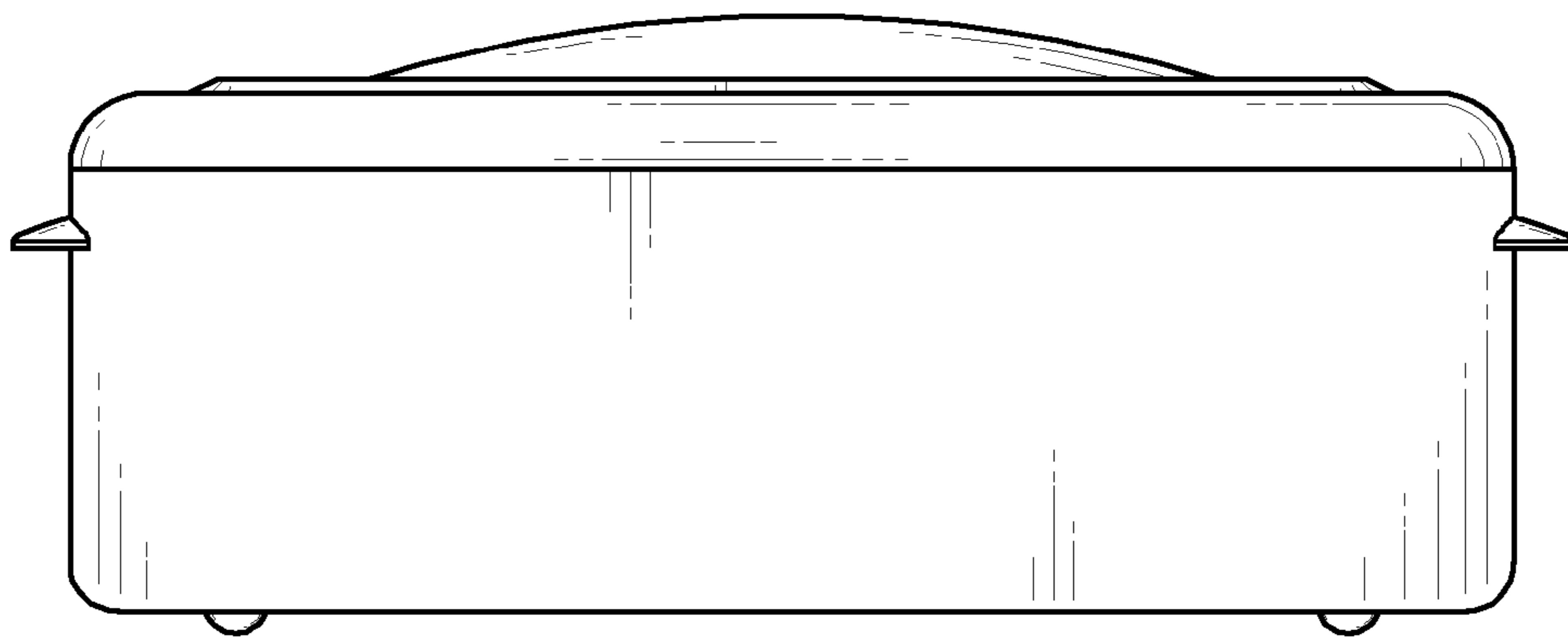
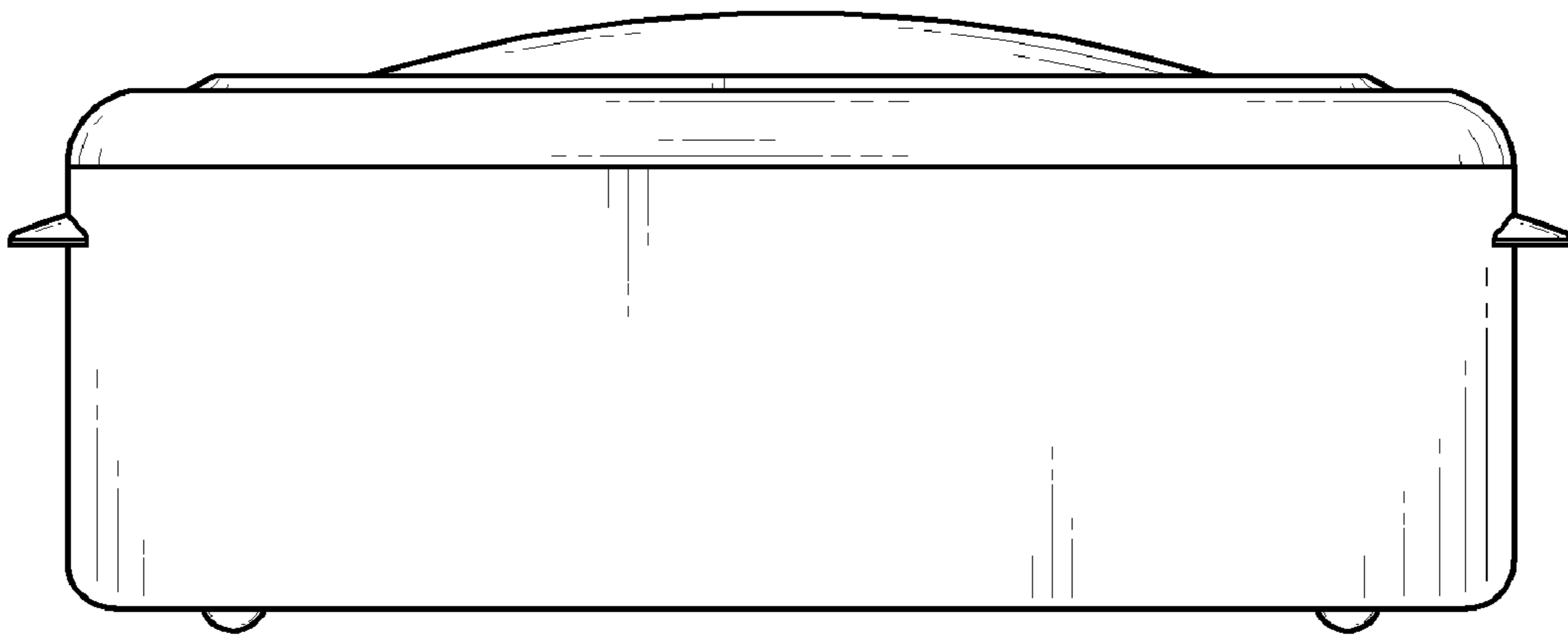


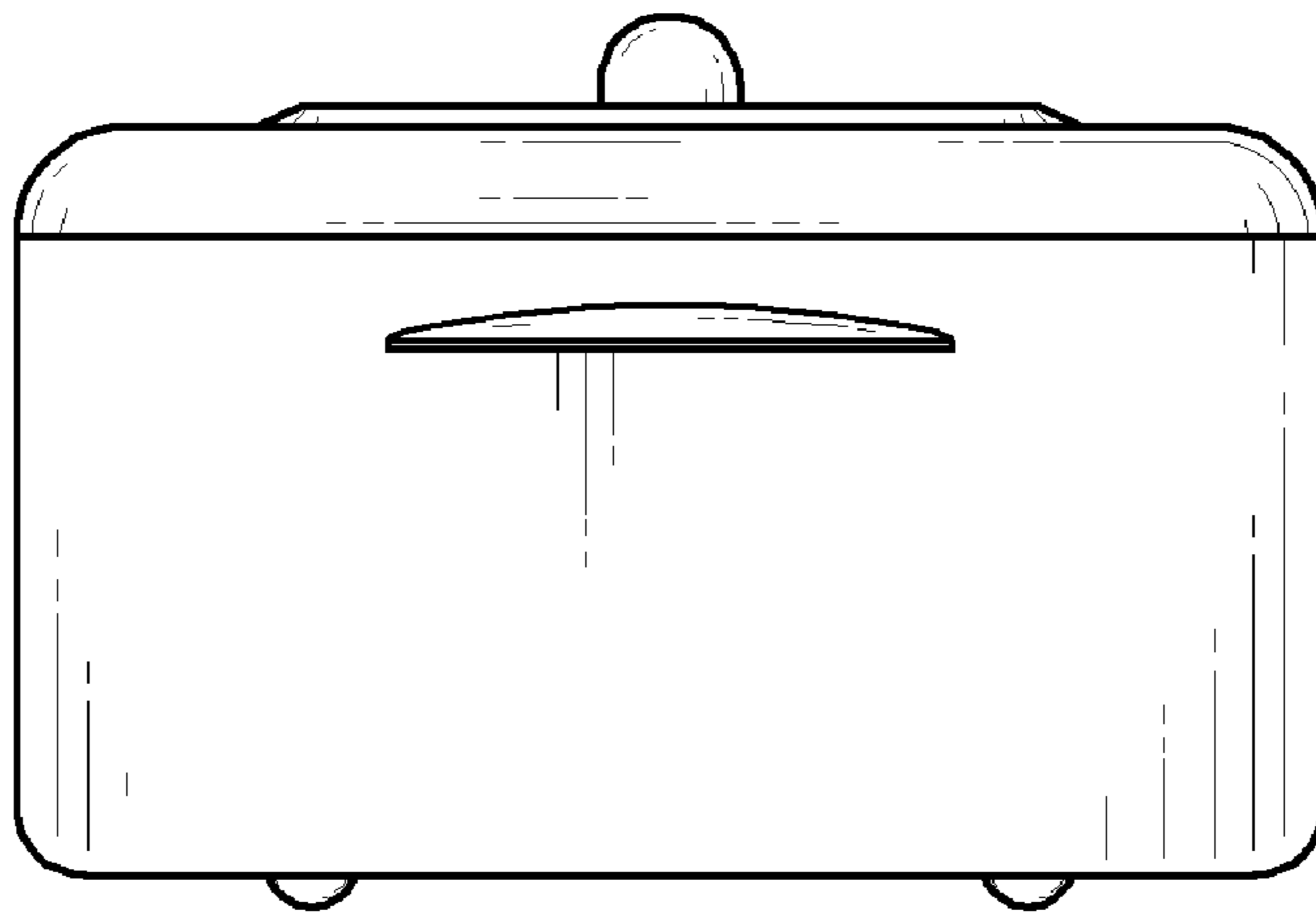
FIG. 1



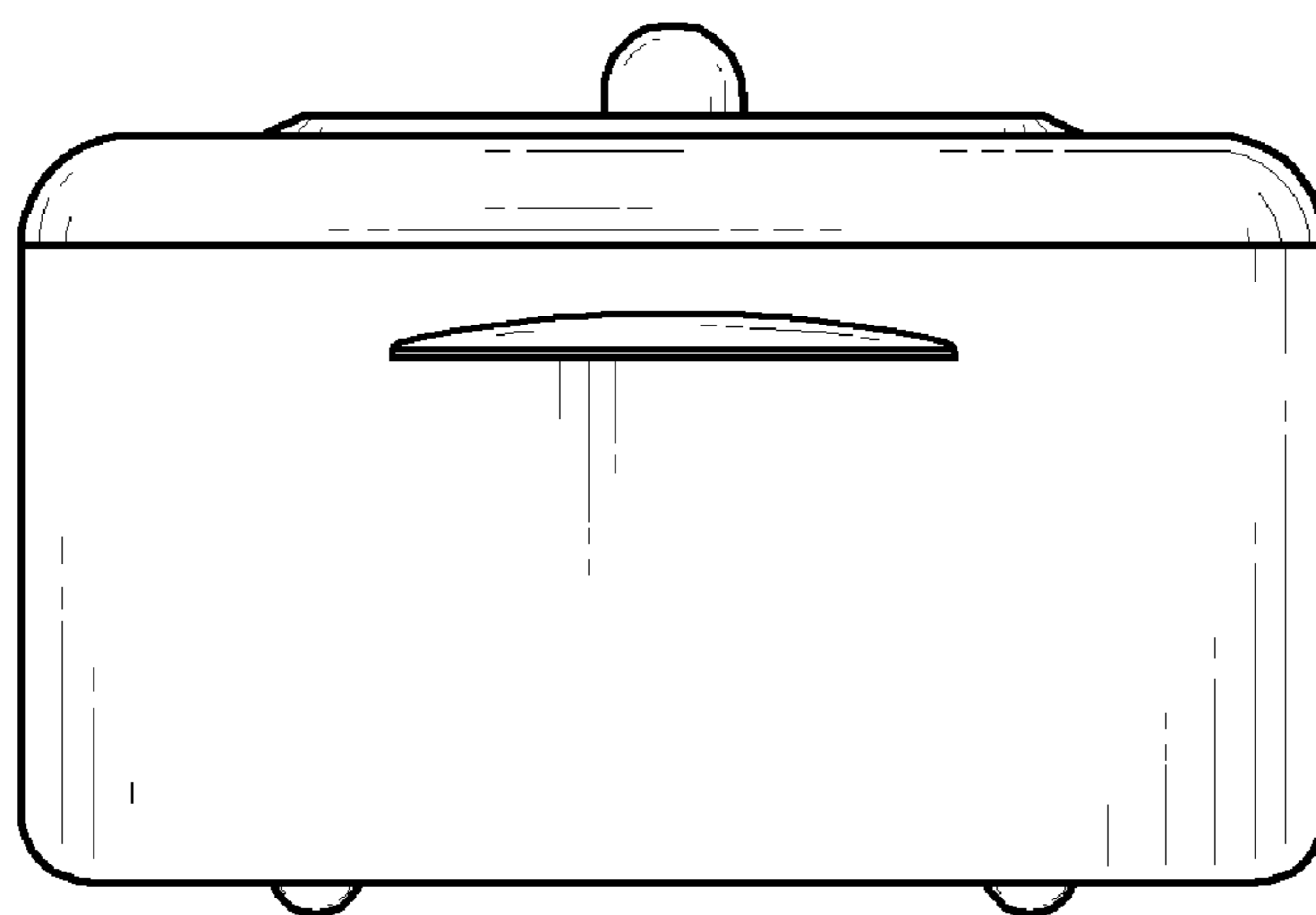
*FIG. 2*



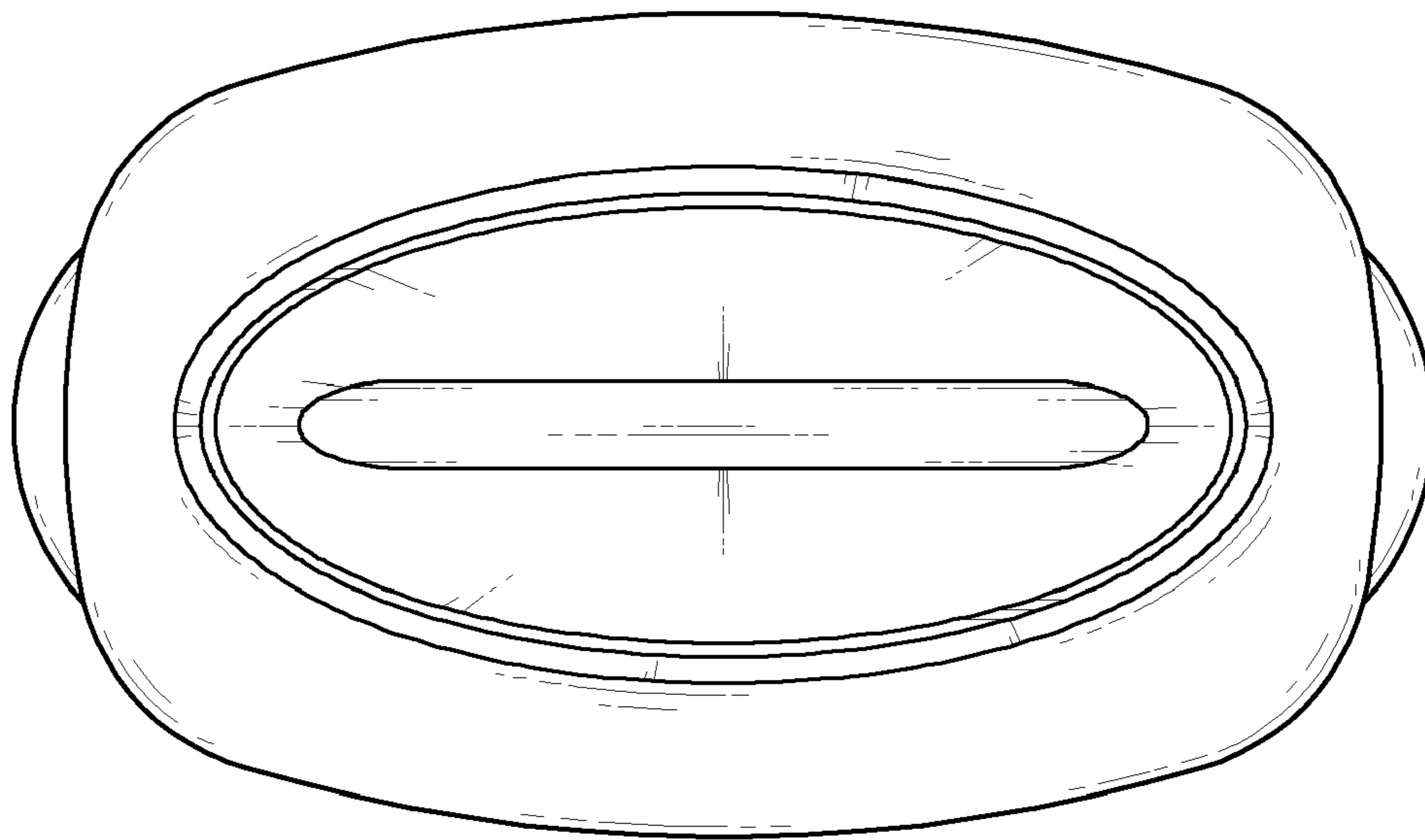
*FIG. 3*



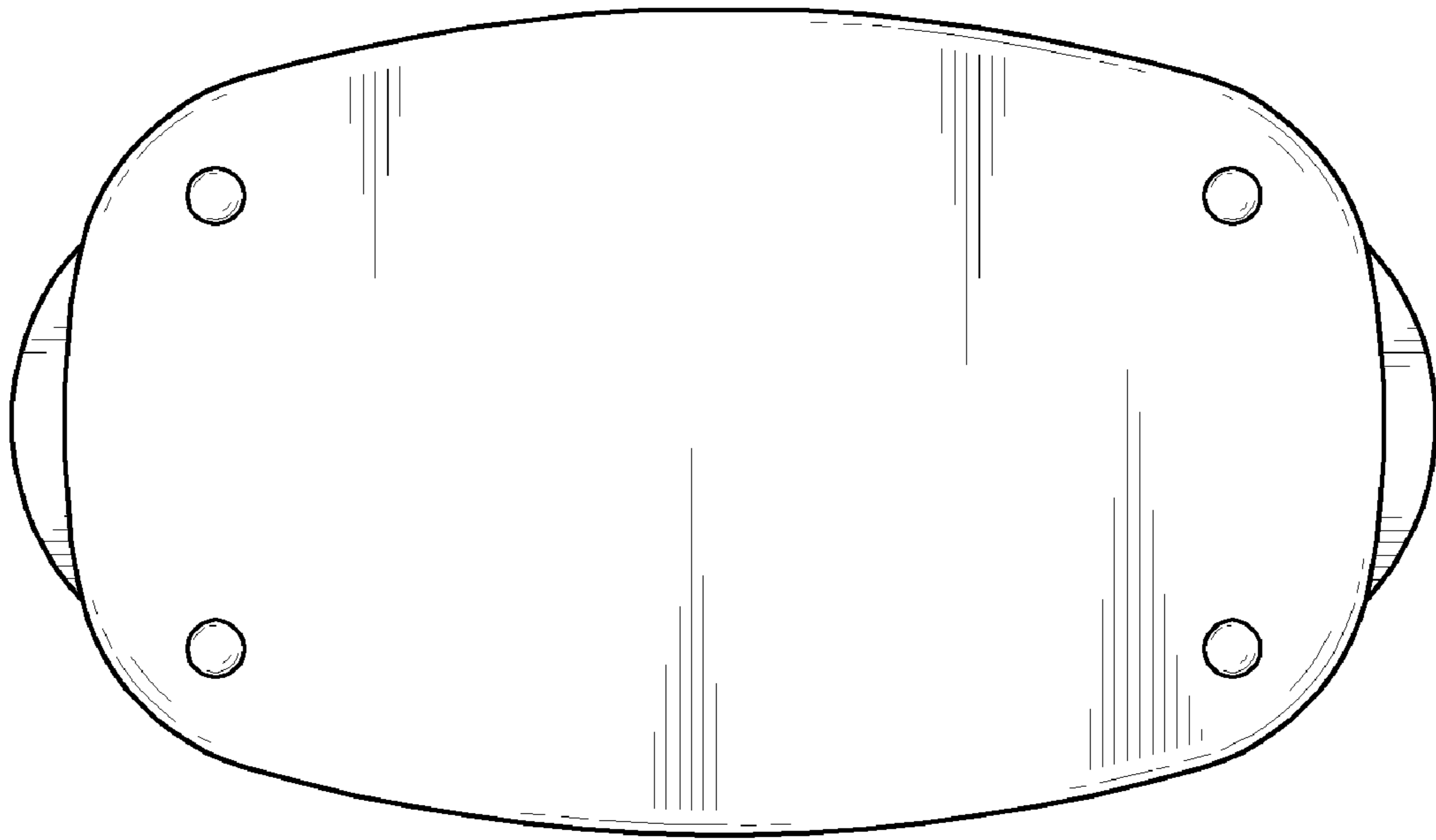
*FIG. 4*



*FIG. 5*



*FIG. 6*



*FIG. 7*



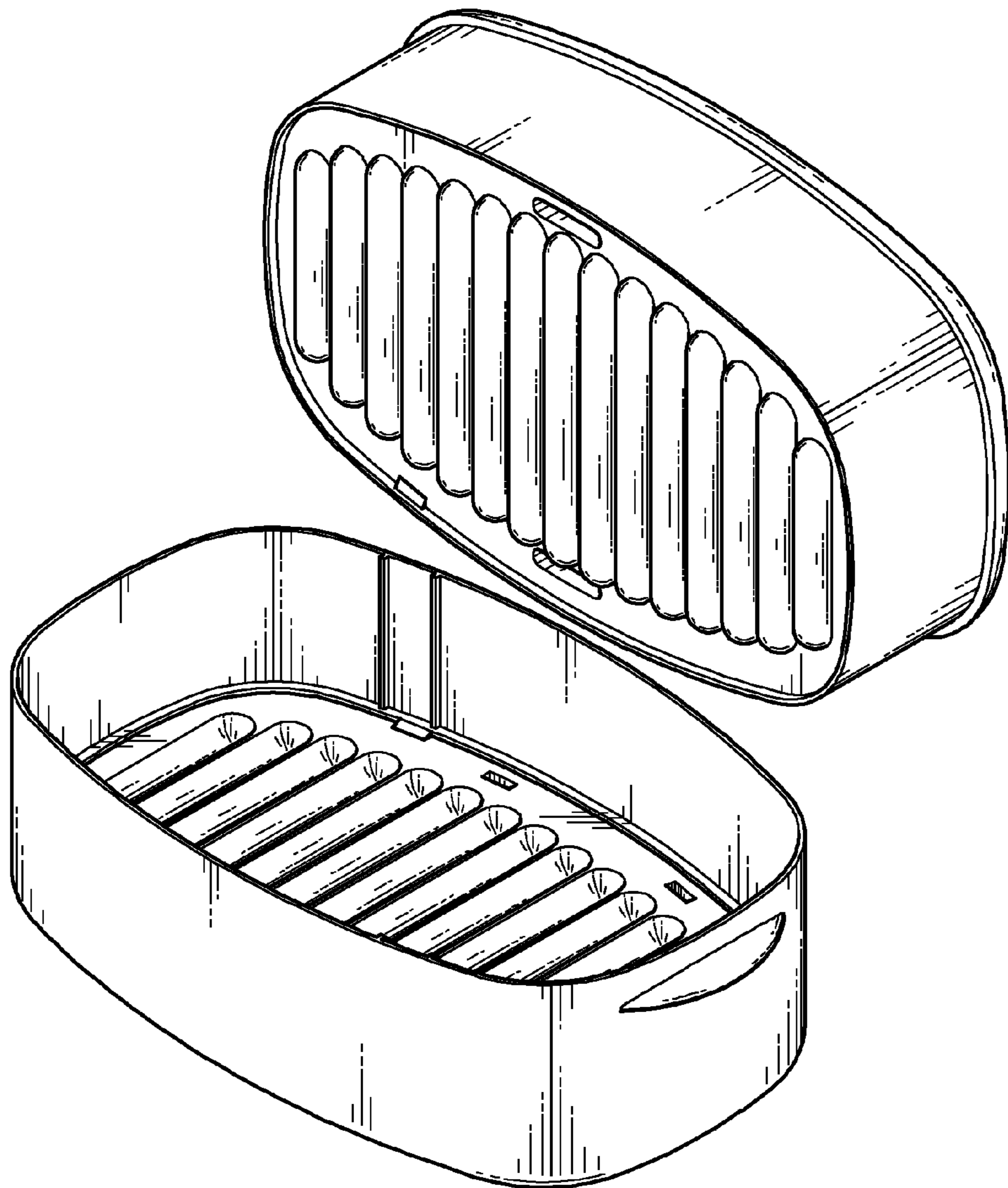


FIG. 8