



US00D600977S

(12) **United States Design Patent**
Mansfield

(10) **Patent No.:** **US D600,977 S**

(45) **Date of Patent:** **** Sep. 29, 2009**

(54) **DRINKING VESSEL**

(76) Inventor: **Bryan D. Mansfield**, 9020 Ogleby
Creek Rd., Myakka City, FL (US) 34251

(**) Term: **14 Years**

(21) Appl. No.: **29/303,289**

(22) Filed: **Feb. 5, 2008**

Related U.S. Application Data

(63) Continuation-in-part of application No. 29/278,589,
filed on Apr. 3, 2007, now Pat. No. Des. 560,969,
which is a continuation-in-part of application No.
29/277,631, filed on Mar. 5, 2007, now Pat. No. Des.
563,171.

(51) **LOC (9) Cl.** **07-01**

(52) **U.S. Cl.** **D7/523; D7/514; D7/509**

(58) **Field of Classification Search** D7/500,
D7/509, 523, 524; D9/428; D11/143; D24/107,
D24/112, 117, 222, 224, 226; 211/69.4;
215/DIG. 7; 220/592.16, 592.17, 703

See application file for complete search history.

(56) **References Cited**

U.S. PATENT DOCUMENTS

604,514	A *	5/1898	Belden	215/382
D40,562	S *	3/1910	Dawley	D11/143
D232,355	S *	8/1974	Wiedmann	D24/224
D239,151	S *	3/1976	Lundin	D7/523
4,024,857	A *	5/1977	Blecher et al.	600/576
D246,467	S *	11/1977	Kurata	D24/224
D254,445	S *	3/1980	Boghosian	D24/224
D267,140	S *	12/1982	Thompson	D7/531
D285,999	S *	10/1986	Ludwick et al.	D7/523
D286,072	S *	10/1986	Miller	D24/224
D289,379	S *	4/1987	DeVaughn	D9/452
5,033,232	A *	7/1991	Vaughn	47/72
5,037,049	A *	8/1991	Funk	248/165
D343,091	S *	1/1994	Shafer	D7/531

D356,643	S *	3/1995	Burns	D24/224
D365,041	S *	12/1995	Dollinger	D11/146
D439,673	S *	3/2001	Brophy et al.	D24/226
D445,907	S *	7/2001	Monks	D24/224
D461,905	S *	8/2002	Wei	D24/224
6,641,881	B1 *	11/2003	Darr	428/35.7
6,749,078	B2 *	6/2004	Iskra	220/23.87
6,761,347	B2 *	7/2004	Moore	249/117
7,186,671	B2 *	3/2007	Smith et al.	502/415
D543,783	S *	6/2007	Goldberg	D7/523
D546,966	S *	7/2007	Kajiyama et al.	D24/224
D583,481	S *	12/2008	Yamamoto et al.	D24/224
D592,457	S *	5/2009	Mansfield	D7/523
2001/0032520	A1 *	10/2001	Smith	73/864.34
2002/0102184	A1 *	8/2002	Co	422/100

* cited by examiner

Primary Examiner—Robert M Spear

Assistant Examiner—Cynthia Underwood

(74) *Attorney, Agent, or Firm*—Mark Douma

(57) **CLAIM**

I claim the ornamental design for a drinking vessel, as shown and described.

DESCRIPTION

FIG. 1 is a top and side perspective view of the drinking vessel, wherein the structure shown with dashed lines in phantom is for illustrative purposes of environment only and forms no part of the claimed design and the dash-dot-dot-dash lines indicate that the precise length is not claimed;

FIG. 2 is a side elevation view thereof, wherein all the claimed elements appear the same from all sides;

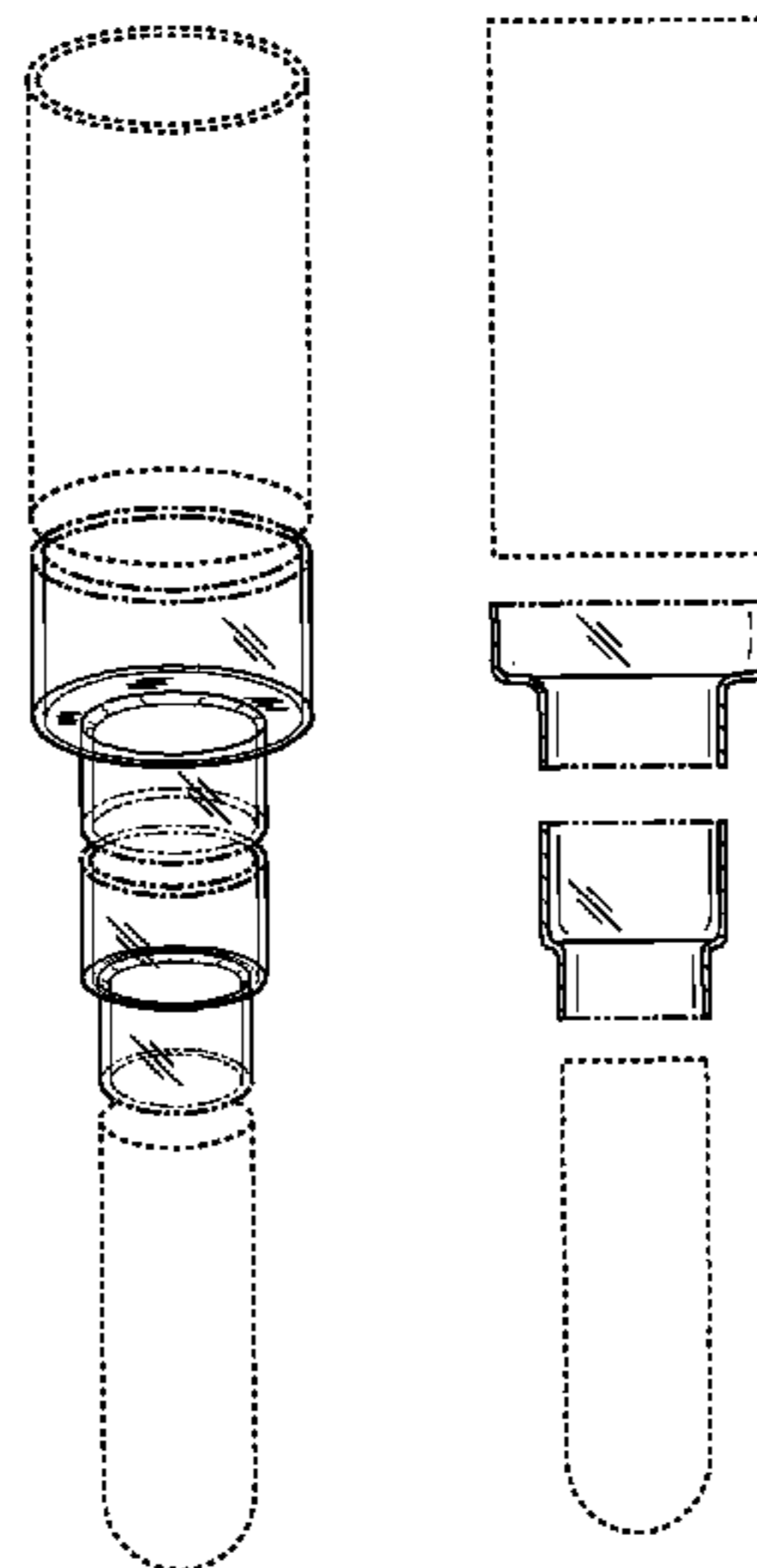
FIG. 3 is a top plan view thereof;

FIG. 4 is a bottom plan view thereof; and,

FIG. 5 is a vertical longitudinal sectional view along line 5—5 of FIG. 3.

The oblique line surface treatment indicates a material that is either transparent or translucent.

1 Claim, 3 Drawing Sheets



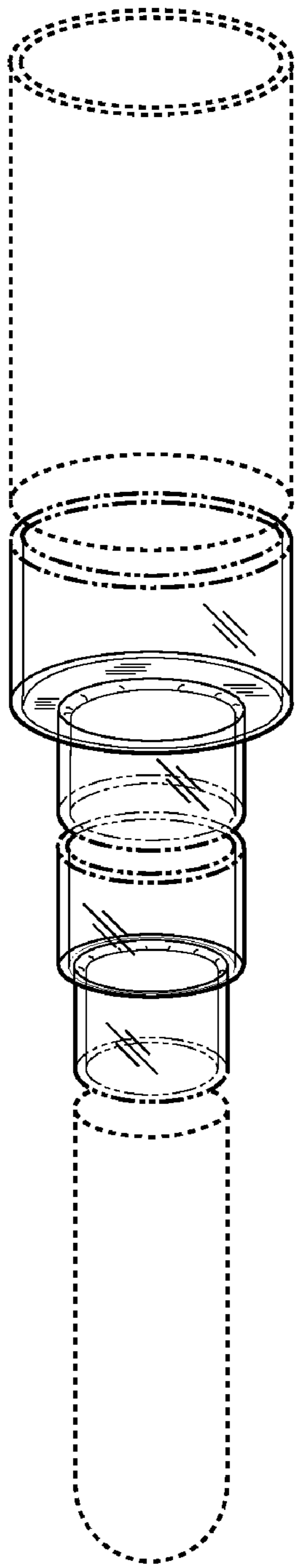


FIG. 1

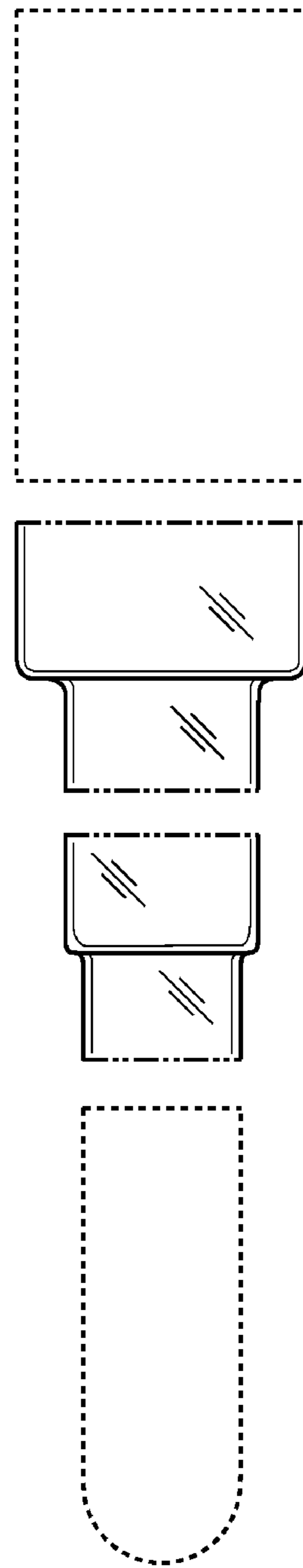


FIG. 2

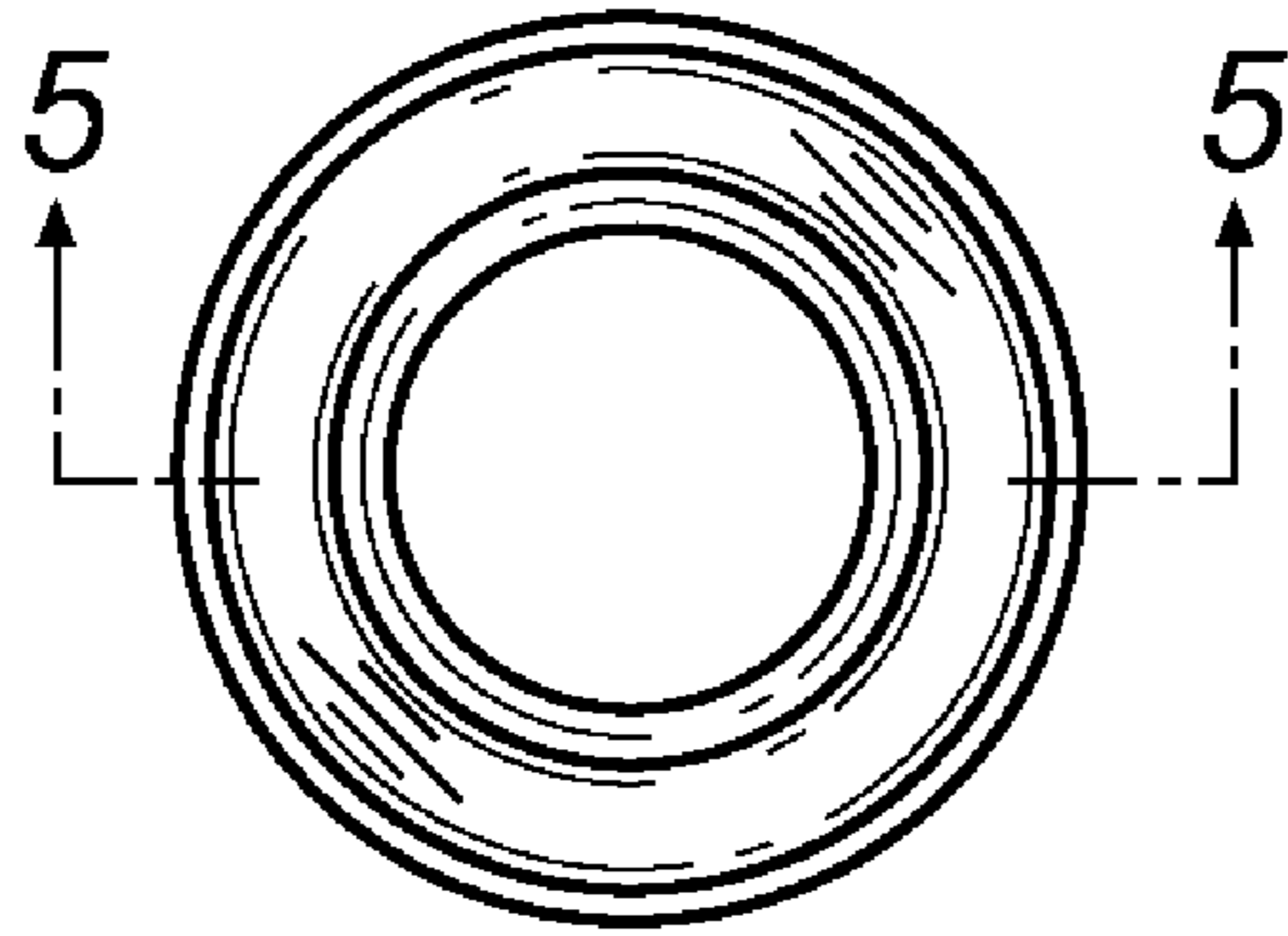


FIG. 3

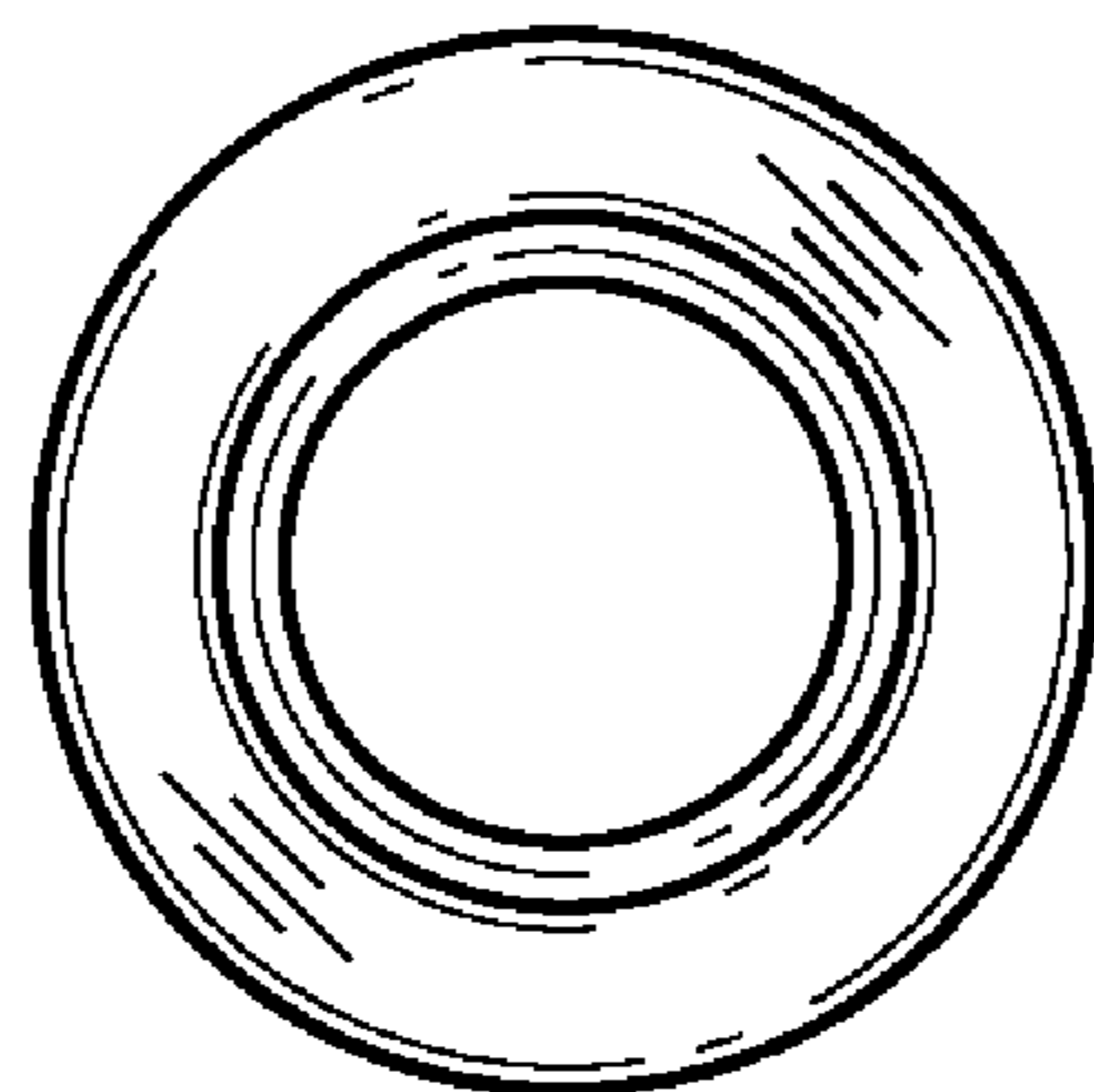


FIG. 4

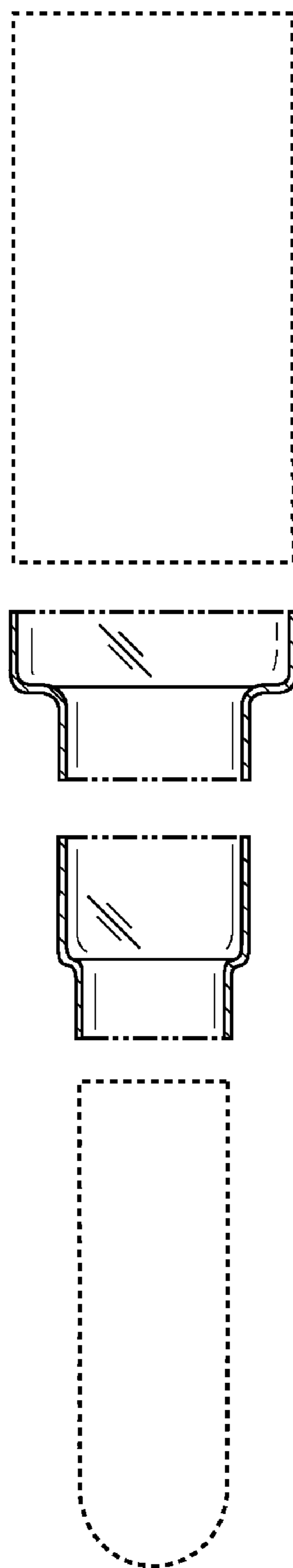


FIG. 5