



US00D600976S

(12) **United States Design Patent**  
**Chen**

(10) **Patent No.:** **US D600,976 S**

(45) **Date of Patent:** **\*\* Sep. 29, 2009**

(54) **BEVERAGE DISPENSING ATTACHMENT**

(76) **Inventor:** **Shane Chen**, 4901 NW. Camas  
Meadows Dr., Camas, WA (US) 98607

(\*\*) **Term:** **14 Years**

(21) **Appl. No.:** **29/331,962**

(22) **Filed:** **Feb. 5, 2009**

(51) **LOC (9) Cl.** ..... **07-01**

(52) **U.S. Cl.** ..... **D7/397; D7/398**

(58) **Field of Classification Search** ..... D7/316-319,  
D7/397, 398, 399, 400, 387, 300, 312, 401,  
D7/306, 313; D23/209, 203; 210/238, 232,  
210/464, 85; 222/185.1, 325

See application file for complete search history.

(56) **References Cited**

**U.S. PATENT DOCUMENTS**

- D184,373 S \* 2/1959 Rider ..... D23/214
- D210,848 S \* 4/1968 Robb ..... D7/213
- D250,445 S \* 12/1978 Braun ..... D7/400
- 4,386,718 A \* 6/1983 Stewart et al. .... 222/185.1
- D335,625 S \* 5/1993 Dolson ..... D7/306
- 5,509,583 A \* 4/1996 Dolson ..... 222/185.1
- D375,150 S \* 10/1996 Wainer ..... D23/269
- D379,050 S \* 5/1997 Kohanski ..... D7/313
- D382,760 S \* 8/1997 Priest ..... D7/305

- D401,474 S \* 11/1998 Leatherman et al. .... D7/397
- D440,631 S \* 4/2001 Shipway ..... D23/233
- 6,527,145 B1 \* 3/2003 Bennett, Jr. .... 222/185.1
- 6,820,772 B1 \* 11/2004 Bennett, Jr. .... 222/185.1
- 6,892,903 B1 \* 5/2005 Bartolotta ..... 222/185.1
- D524,587 S \* 7/2006 Patel et al. .... D7/306
- D543,768 S \* 6/2008 Ford ..... D7/301
- D582,721 S \* 12/2008 Stange ..... D7/397

\* cited by examiner

*Primary Examiner*—Marianne Pandozzi

(57) **CLAIM**

The ornamental design for a beverage dispensing attachment,  
as shown and described.

**DESCRIPTION**

FIG. 1 is a left side elevational view thereof, the right side  
elevational view thereof being a mirror image thereof;

FIG. 2 is a front elevational view thereof;

FIG. 3 is a rear elevational view thereof;

FIG. 4 is a top plan view thereof;

FIG. 5 is a bottom plan view thereof; and,

FIG. 6 is a perspective view thereof.

The broken lines in the drawings are included for the purpose  
of illustration and form no part of the claimed design.

**1 Claim, 5 Drawing Sheets**

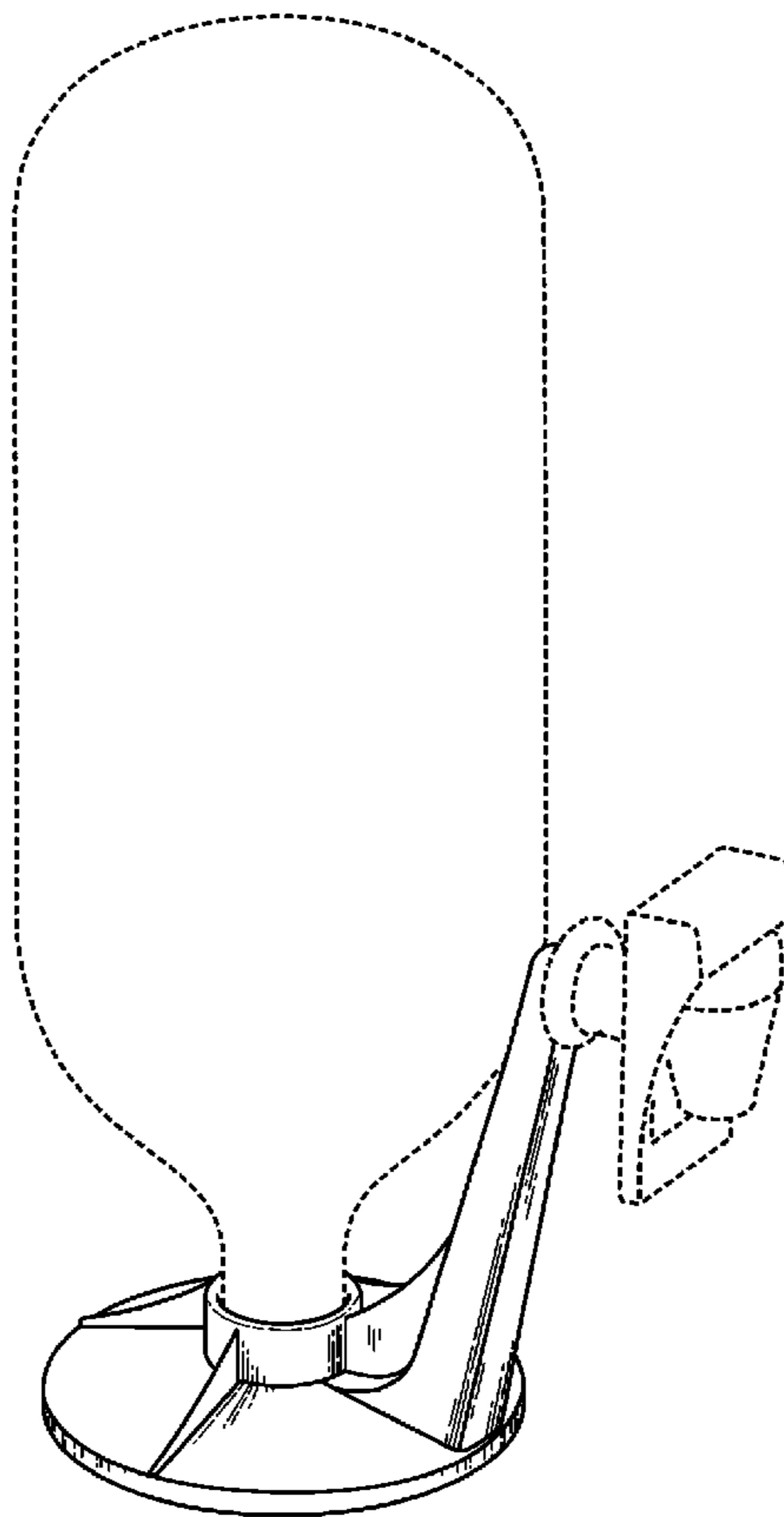


Fig. 1

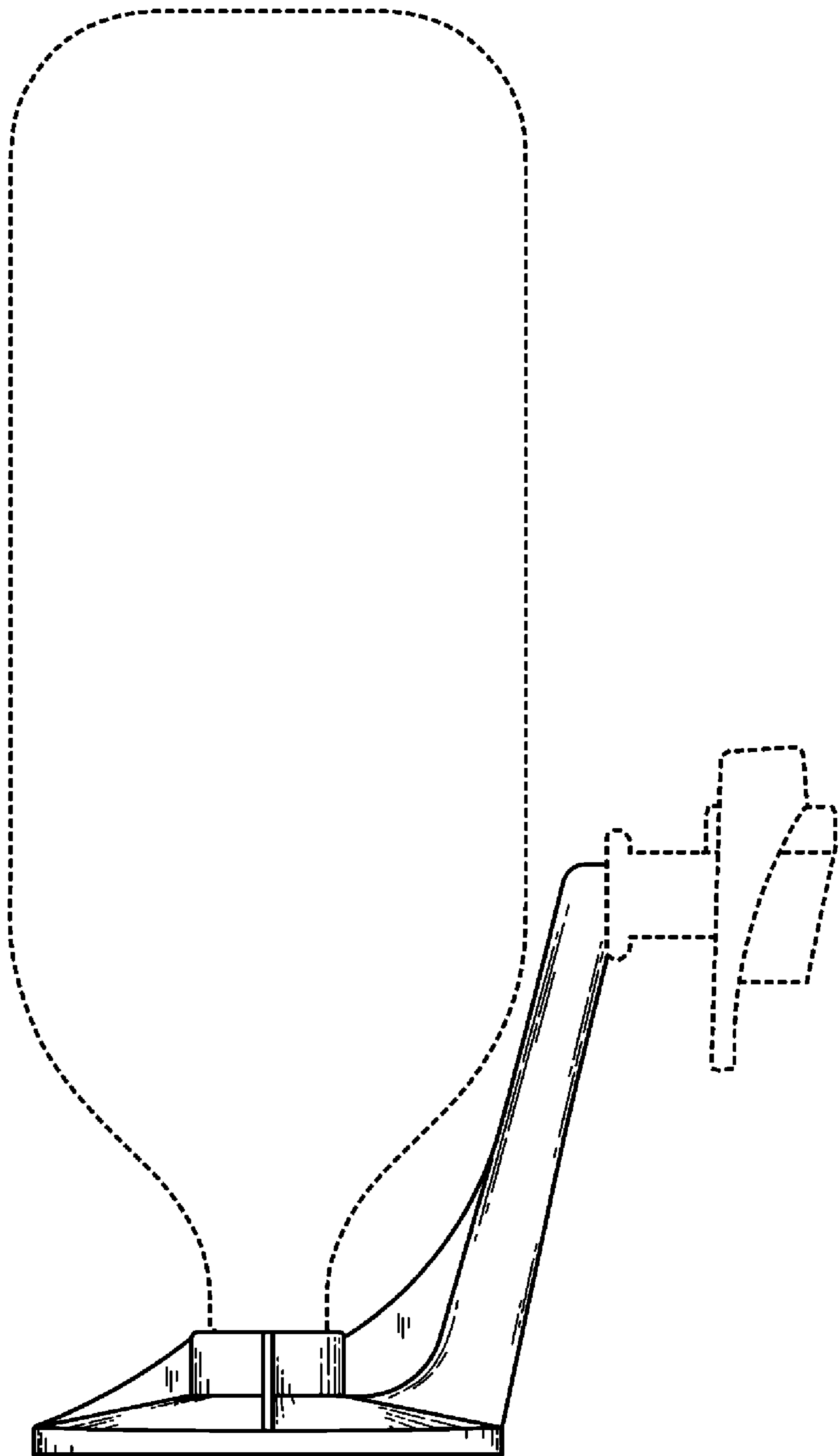


Fig. 2

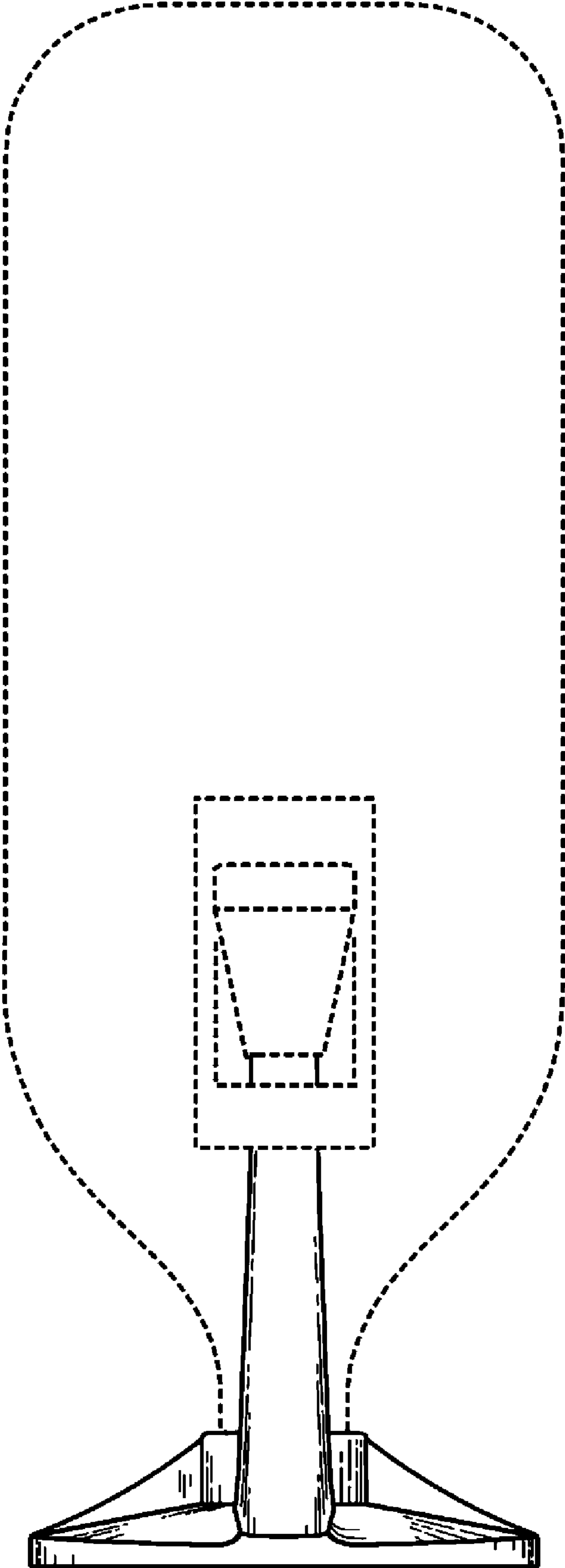


Fig. 3

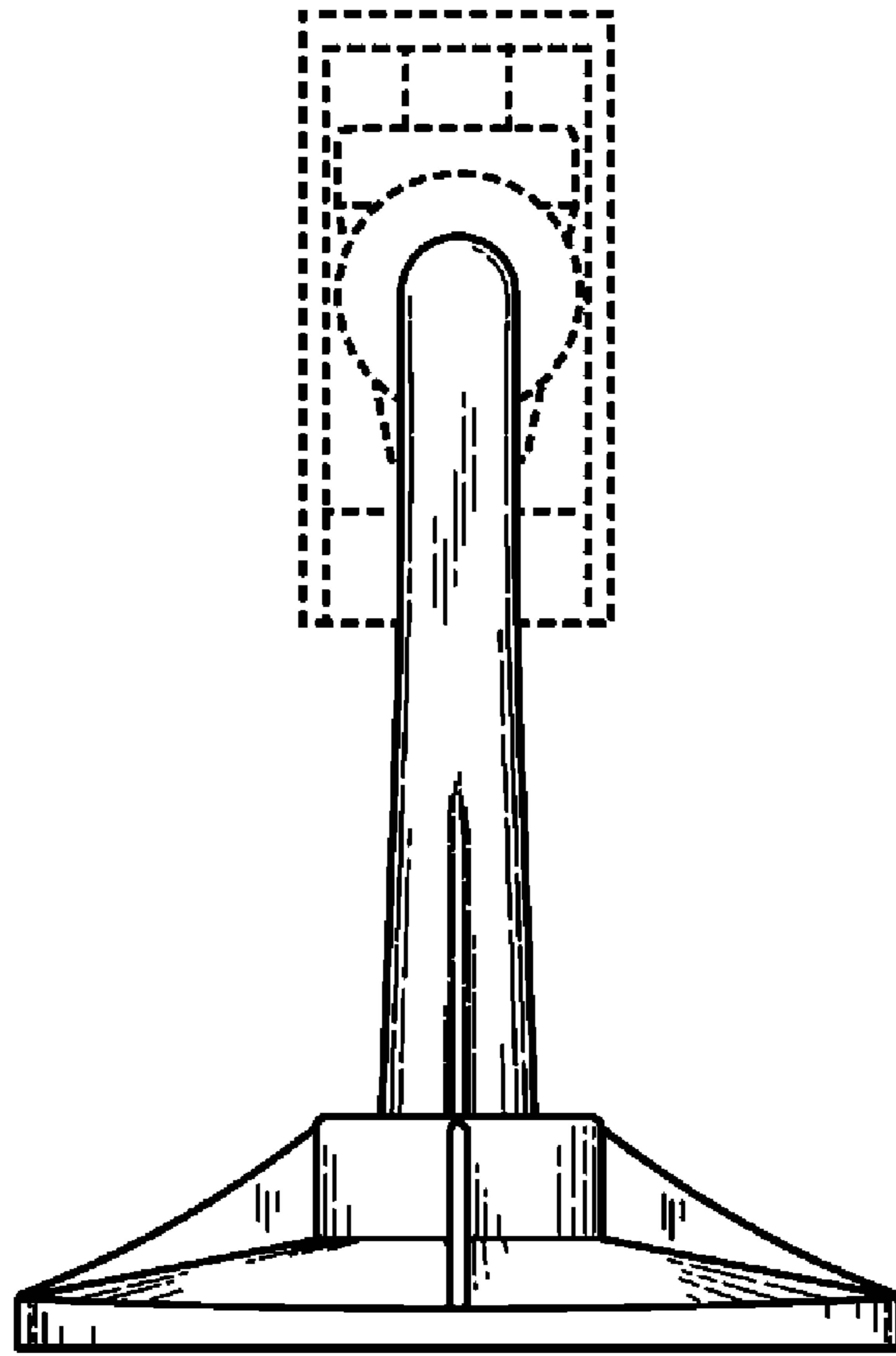


Fig. 4

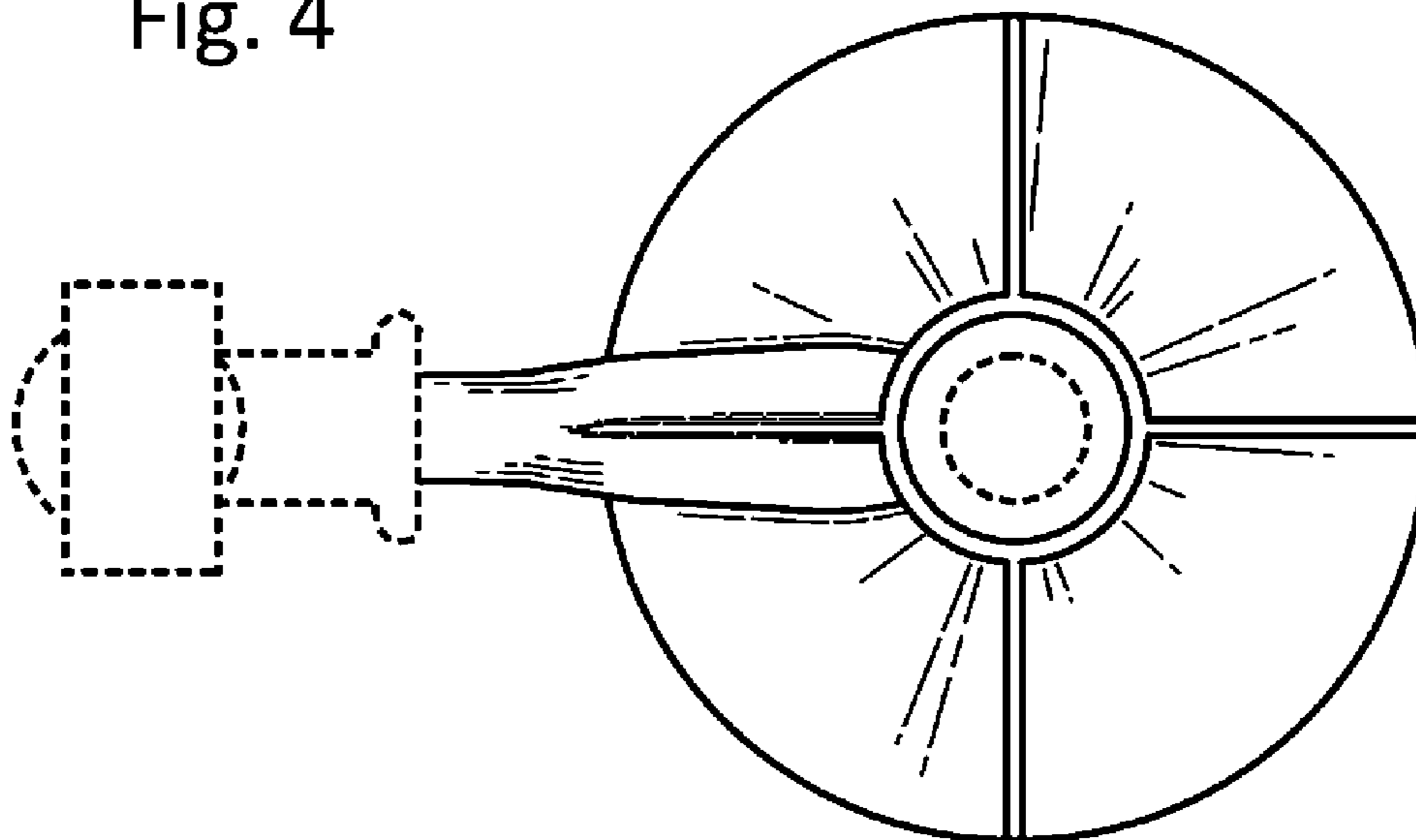


Fig. 5

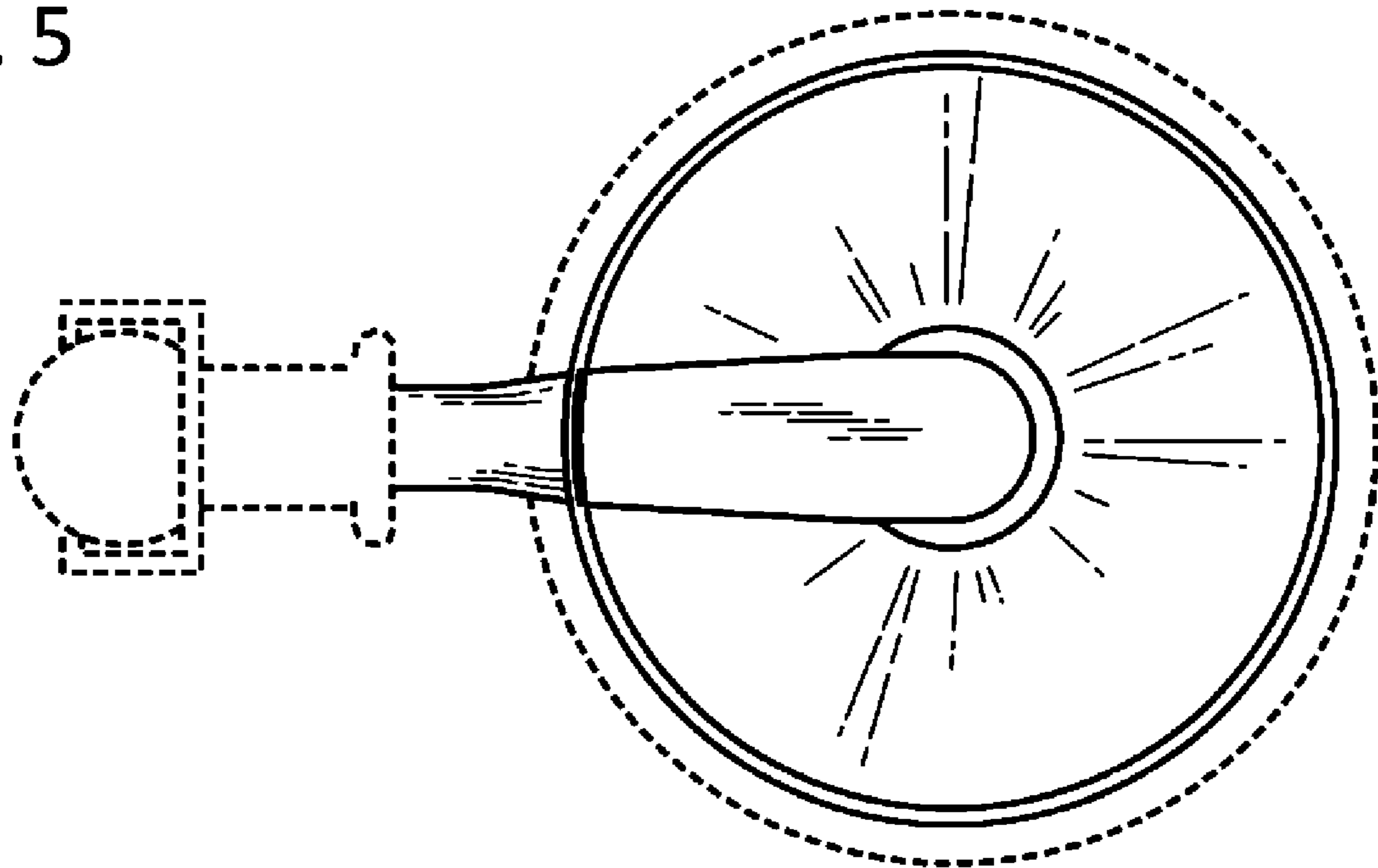


Fig. 6

