



US00D600973S

(12) **United States Design Patent**  
**Lane**

(10) **Patent No.:** **US D600,973 S**

(45) **Date of Patent:** **\*\* Sep. 29, 2009**

(54) **COMBINED COLLAR AND GRIP FOR A BEVERAGE OR FOOD CONTAINER**

(75) Inventor: **Marvin Lane**, Round Lake Beach, IL (US)

(73) Assignee: **Thermos L.L.C.**, Rolling Meadows, IL (US)

(\*\*) Term: **14 Years**

(21) Appl. No.: **29/313,988**

(22) Filed: **Feb. 24, 2009**

(51) **LOC (9) Cl.** ..... **07-01**

(52) **U.S. Cl.** ..... **D7/396.2; D7/387**

(58) **Field of Classification Search** ..... D7/213, D7/387, 396.2, 396.6, 606, 625, 607, 624.3, D7/633, 398, 708.1; D2/829; D20/28, 22; D8/356, 16-19; D3/208, 229; D9/751, 752; D24/199; D28/139; 40/633, 666; 24/16 PB; 428/35.8, 4; 220/903; 224/186; 283/114, 283/74; 248/690, 102, 328

See application file for complete search history.

(56) **References Cited**

**U.S. PATENT DOCUMENTS**

1,290,433	A *	1/1919	Walker	.....	248/690
D68,845	S *	11/1925	Barry	.....	D20/22
1,971,528	A *	8/1934	Klebanow	.....	40/310
3,144,950	A *	8/1964	Rosenheim	.....	215/391
D359,756	S *	6/1995	Ely	.....	D20/28
5,613,616	A *	3/1997	Monus	.....	220/791
D403,958	S *	1/1999	Stepek	.....	D9/434
D412,938	S *	8/1999	Kesselring et al.	.....	D20/28
D523,150	S *	6/2006	Horn et al.	.....	D24/199

D528,862	S *	9/2006	Li	.....	D7/510
D529,337	S *	10/2006	Carreno et al.	.....	D7/509
D541,943	S *	5/2007	Stewart	.....	D24/199
D591,149	S *	4/2009	Bonner et al.	.....	D9/434

\* cited by examiner

*Primary Examiner*—Robert M Spear

*Assistant Examiner*—Cynthia Underwood

(74) *Attorney, Agent, or Firm*—Wood, Phillips, Katz, Clark & Mortimer

(57) **CLAIM**

The ornamental design for a combined collar and grip for a beverage or food container, as shown and described.

**DESCRIPTION**

FIG. 1 is a perspective view from above of the combined collar and grip for a beverage/food container;

FIG. 2 is a perspective view from below of the combined collar and grip for a beverage/food container;

FIG. 3 is a right side elevation of the combined collar and grip for a beverage/food container;

FIG. 4 is a back view of the combined collar and grip for a beverage/food container;

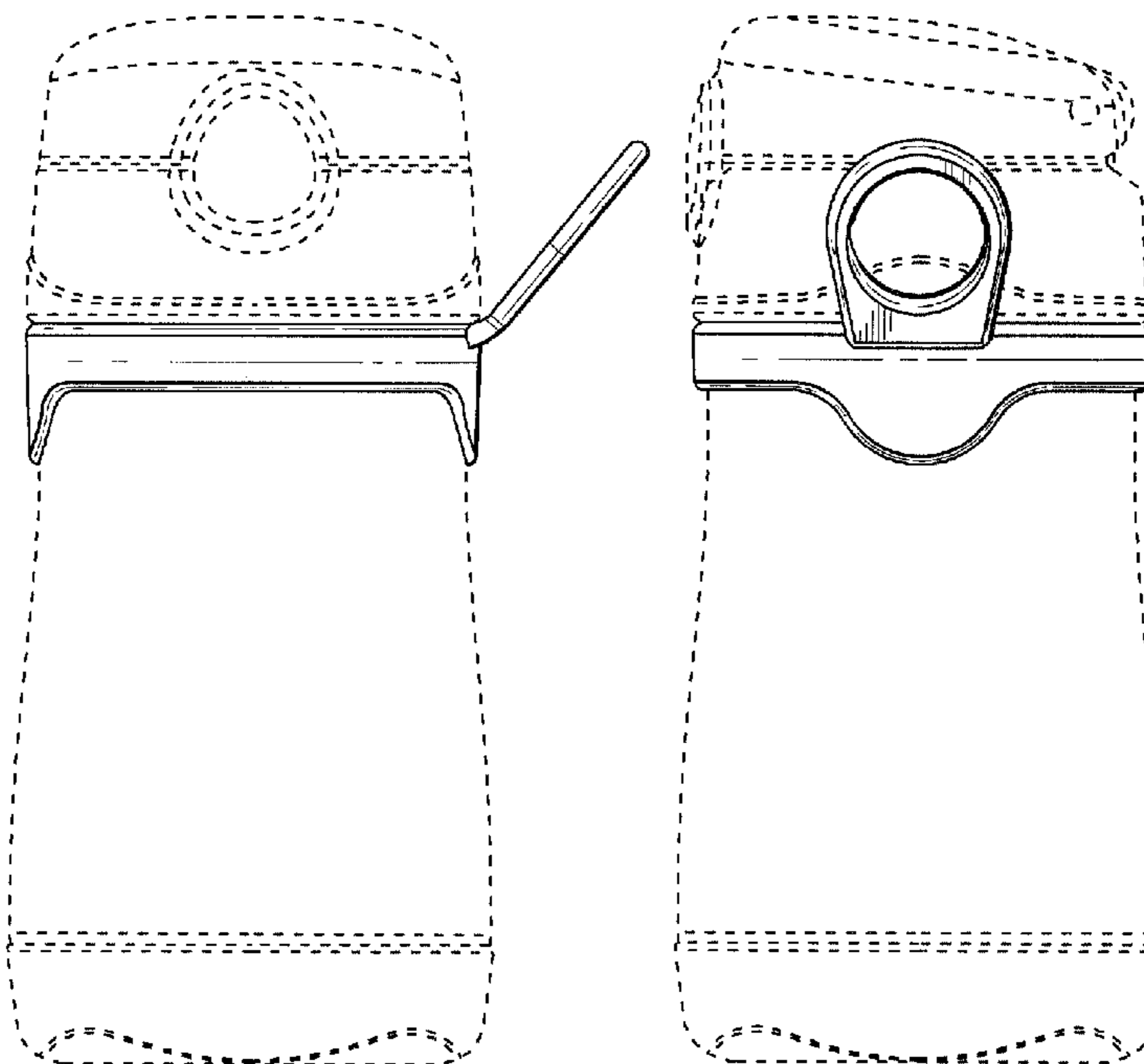
FIG. 5 is a left side elevation of the combined collar and grip for a beverage/food container;

FIG. 6 is a front view of the combined collar and grip for a beverage/food container; and,

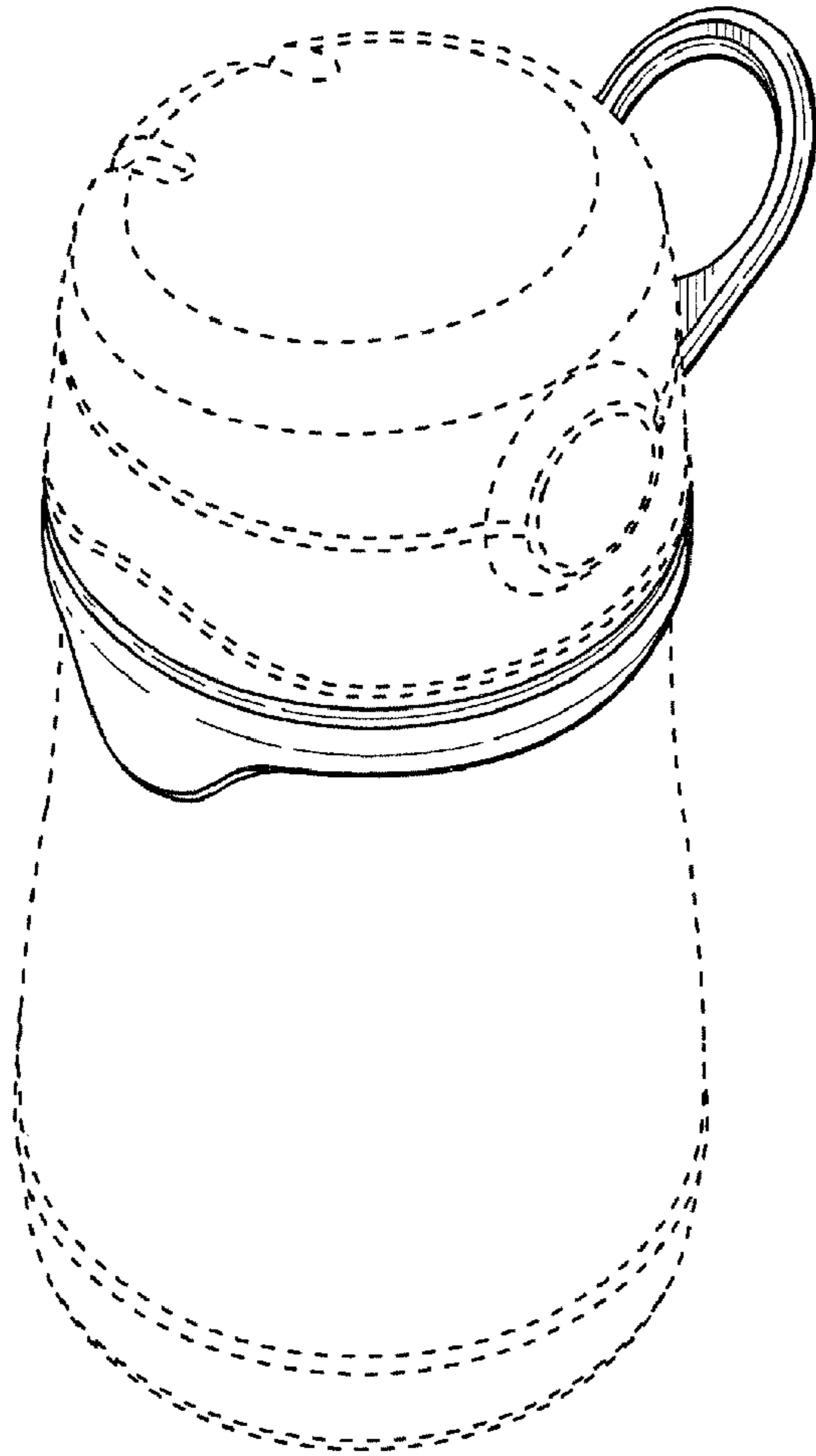
FIG. 7 is a top plan view of the combined collar and grip for a beverage/food container.

It is to be understood that the broken lines are for illustrative purposes only and form no part of the claimed design.

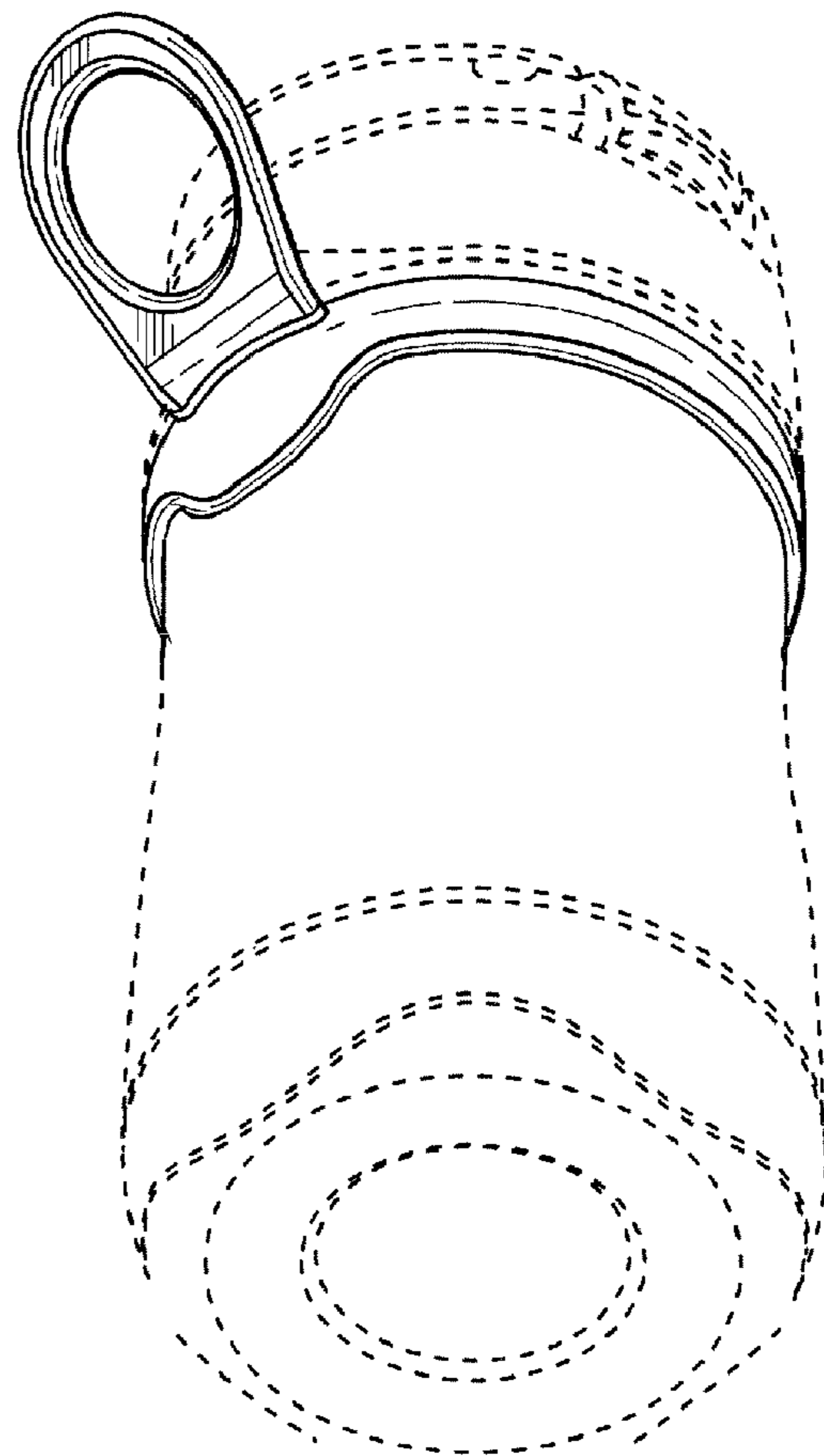
**1 Claim, 4 Drawing Sheets**



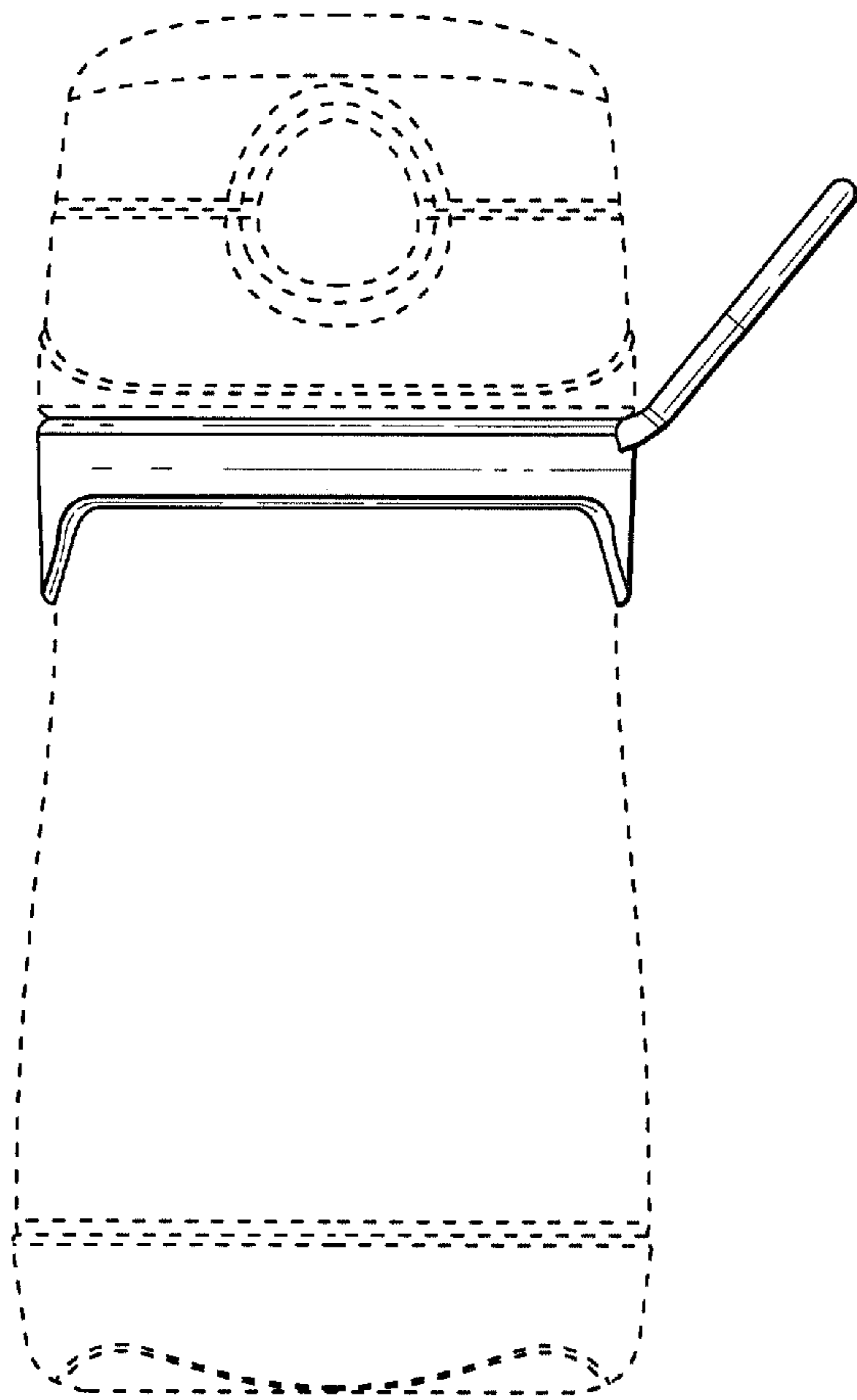
*Fig. 1*



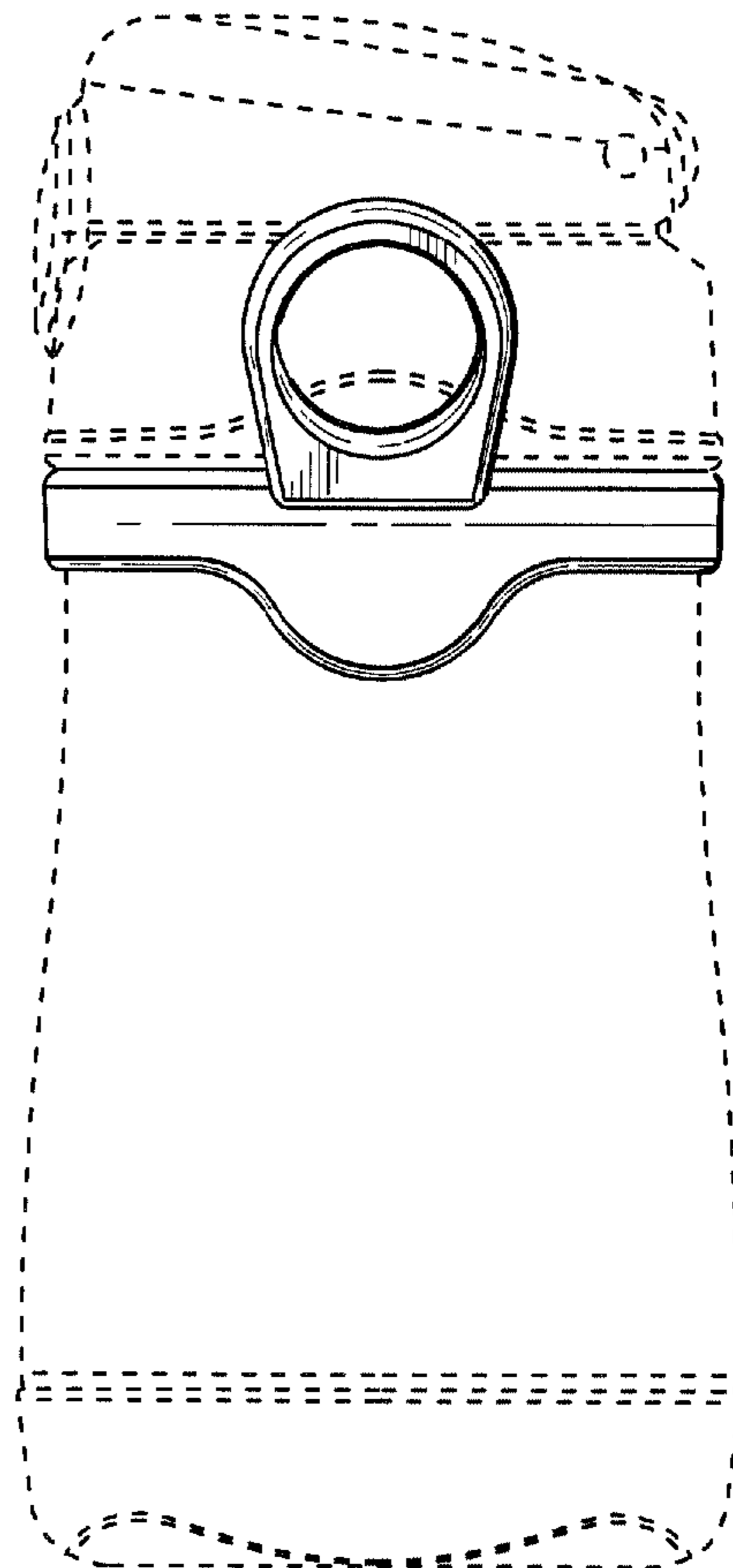
*Fig. 2*



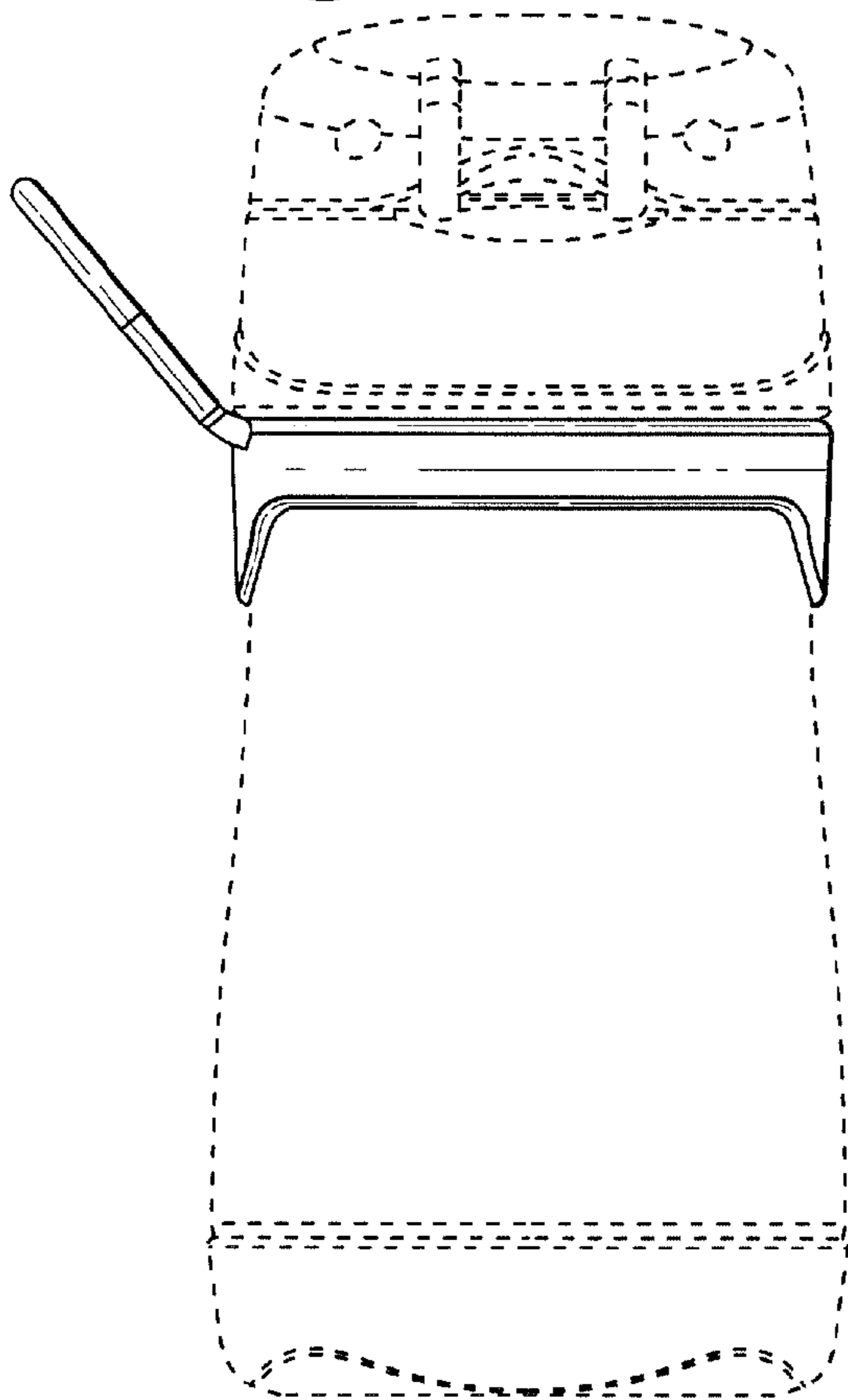
*Fig. 3*



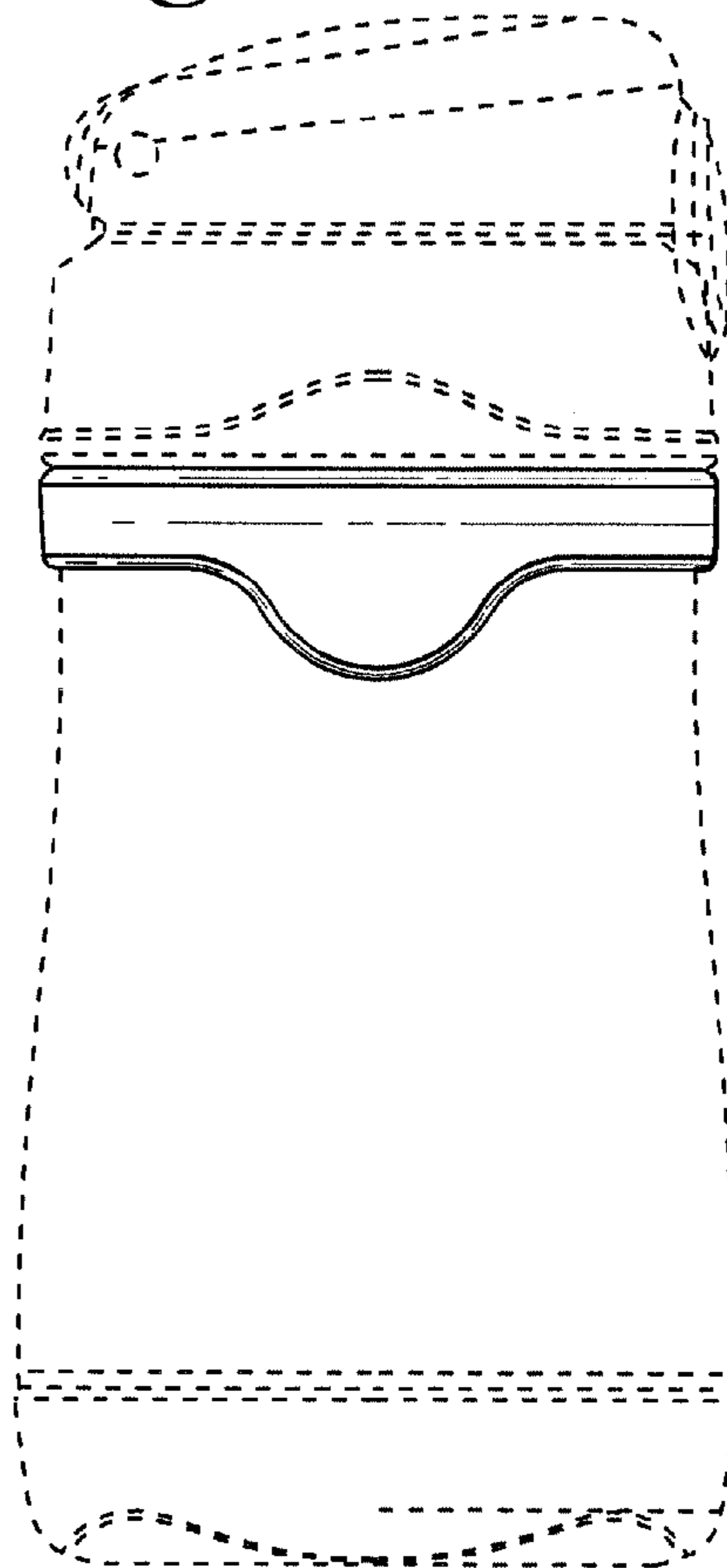
*Fig. 4*



*Fig. 5*



*Fig. 6*



*Fig. 7*

