



US00D600971S

(12) **United States Design Patent**  
**Garpelin**

(10) **Patent No.:** **US D600,971 S**

(45) **Date of Patent:** **\*\* Sep. 29, 2009**

(54) **SAUCEPAN**

D258,712 S \* 3/1981 Jacobson ..... D7/317  
D552,921 S \* 10/2007 Garman et al. .... D7/354

(75) Inventor: **Tommy Garpelin**, Skultuna (SE)

(73) Assignee: **Primus AB**, Ornskoldsvik (SE)

(\*\*) Term: **14 Years**

(21) Appl. No.: **29/300,222**

(22) Filed: **Feb. 29, 2008**

(30) **Foreign Application Priority Data**

Sep. 26, 2007 (EM) ..... 000796438-0001

(51) **LOC (9) Cl.** ..... **07-02**

(52) **U.S. Cl.** ..... **D7/354**

(58) **Field of Classification Search** ..... D7/317,  
D7/323, 354-361, 365, 378-379, 383-384,  
D7/391-396.1, 402, 542-543, 545, 560, 584-588;  
99/422, 425, 445; 219/620-621, 725-730;  
220/573.1-574, 769, 912; 294/33

See application file for complete search history.

(56) **References Cited**

**U.S. PATENT DOCUMENTS**

3,425,735 A \* 2/1969 Ratliff ..... 294/33

\* cited by examiner

*Primary Examiner*—Caron Veynar

*Assistant Examiner*—Ricky Pham

(74) *Attorney, Agent, or Firm*—Nixon & Vanderhye P.C.

(57) **CLAIM**

The ornamental design for a saucepan, as shown.

**DESCRIPTION**

FIG. 1 is a perspective view of a saucepan.

FIG. 2 is a front view thereof.

FIG. 3 is a back view thereof.

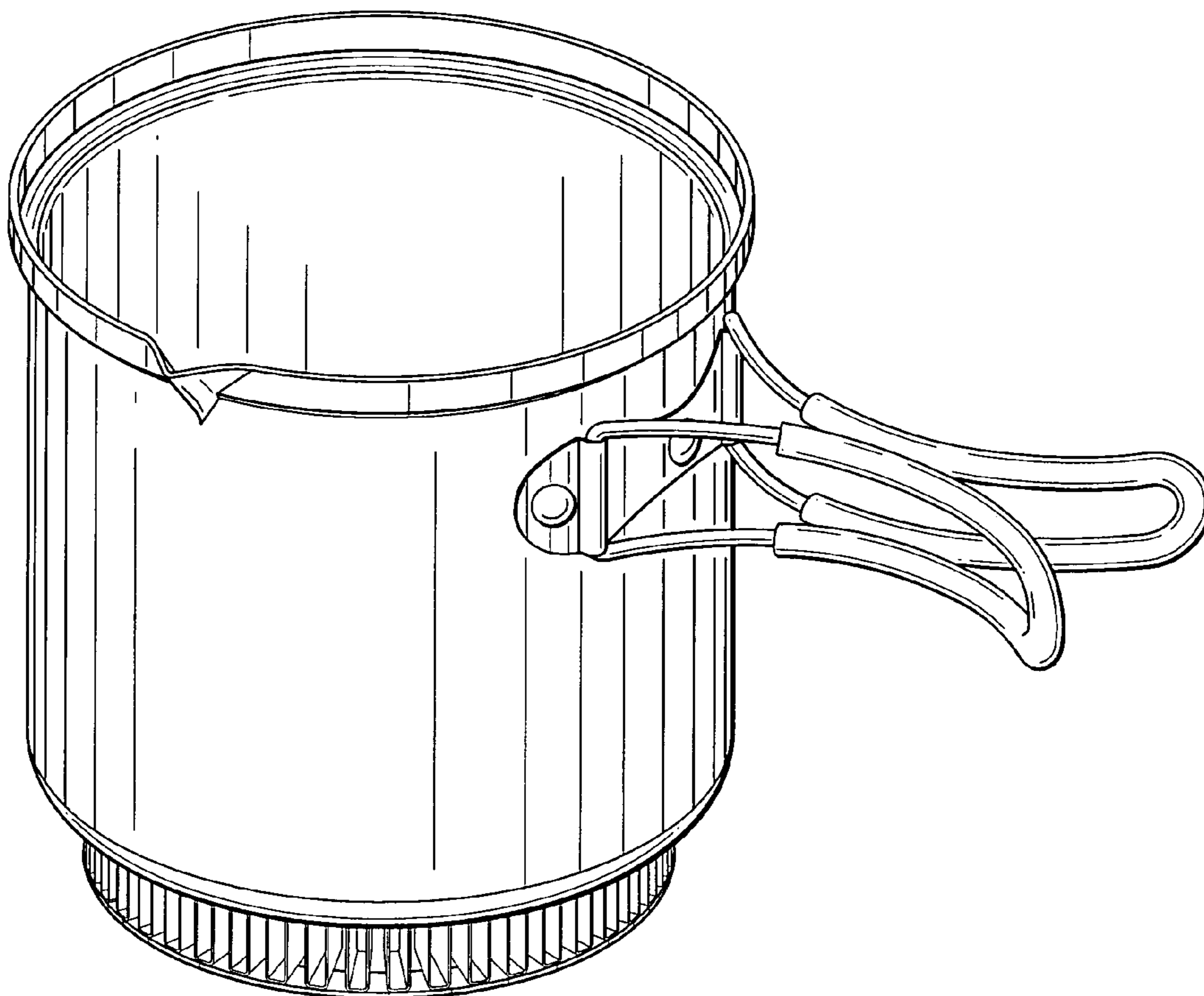
FIG. 4 is a left side view thereof.

FIG. 5 is a right side view thereof.

FIG. 6 is a top view thereof; and,

FIG. 7 is a bottom view thereof.

**1 Claim, 4 Drawing Sheets**



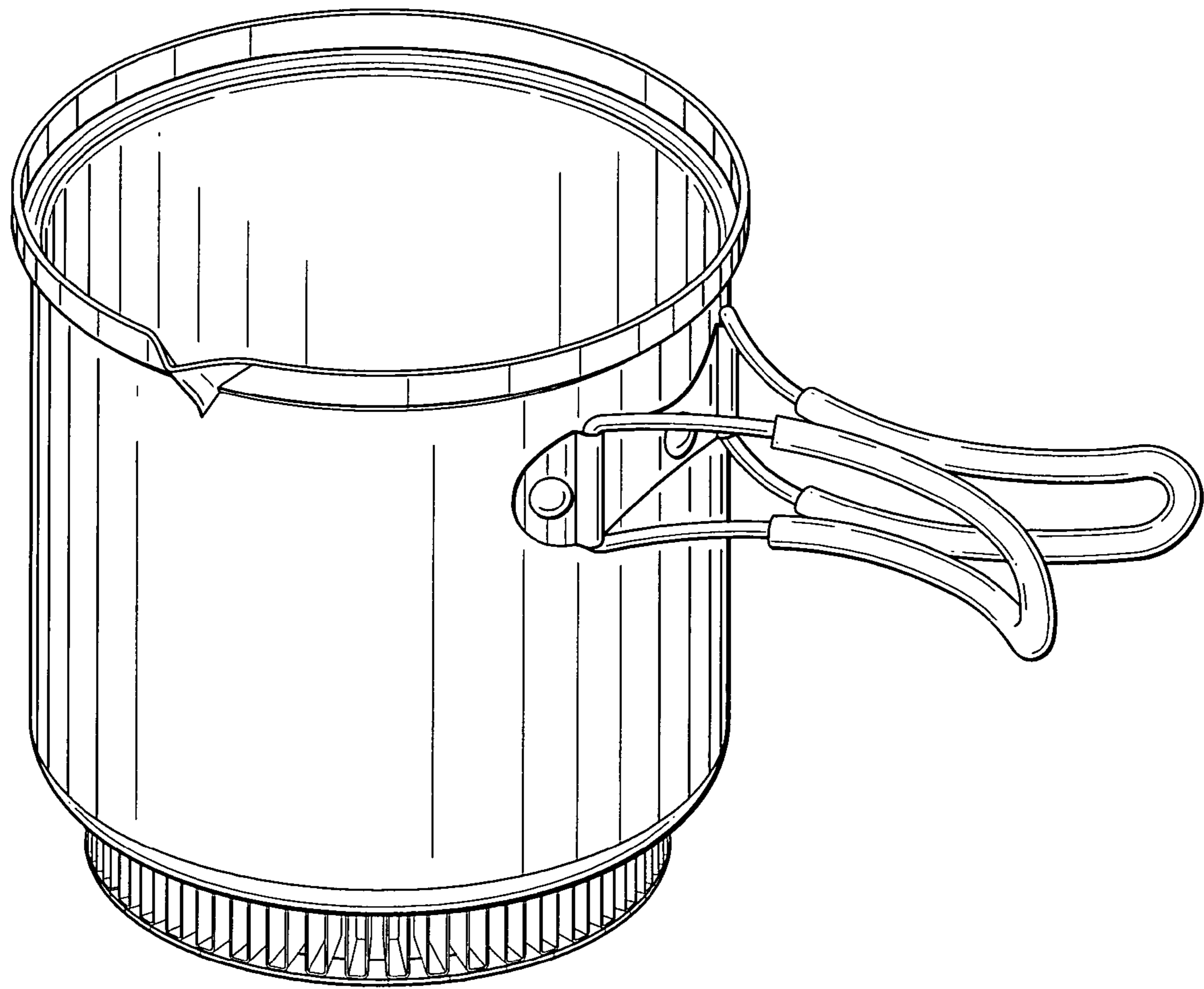


FIG. 1

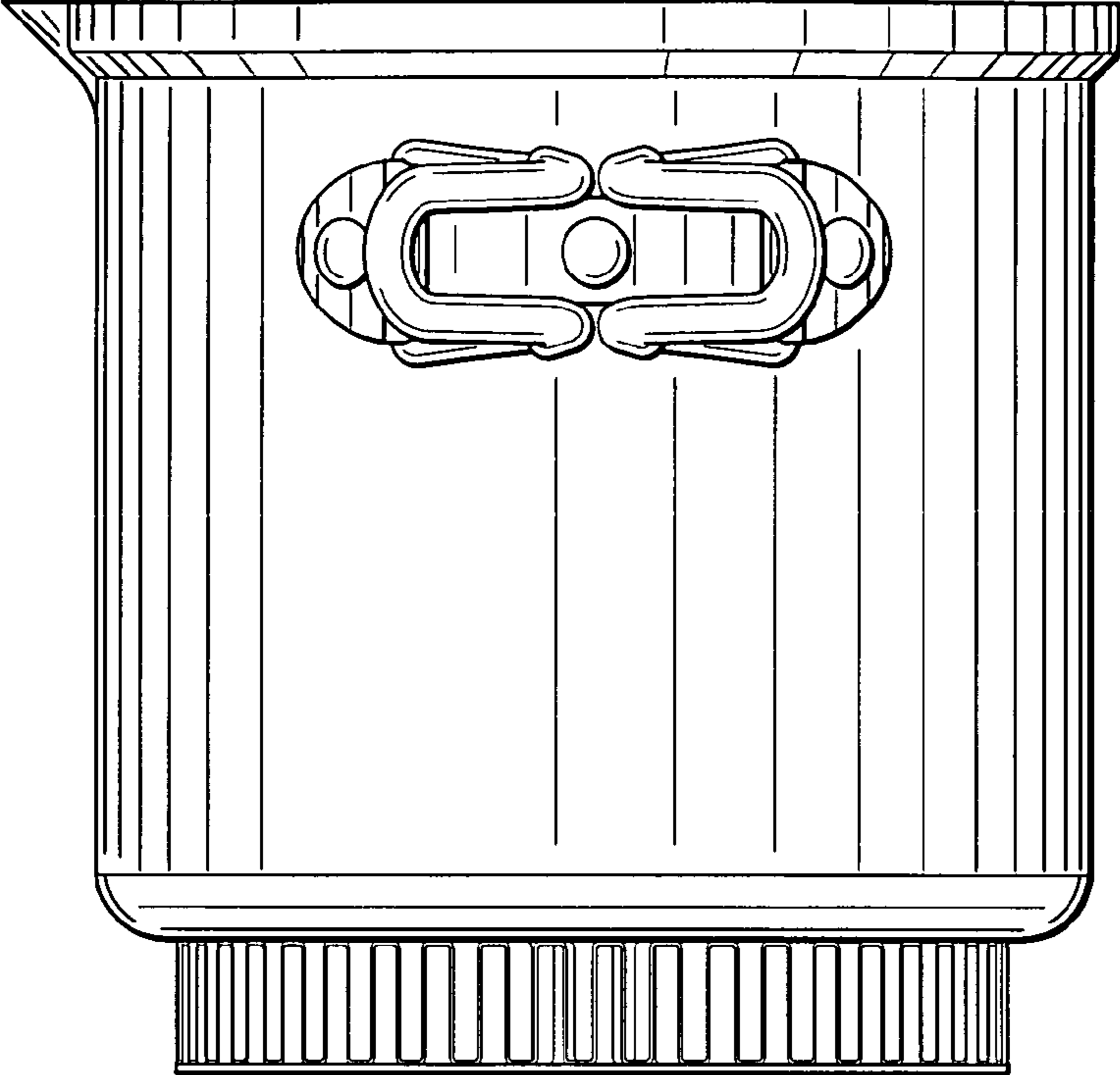


FIG. 2

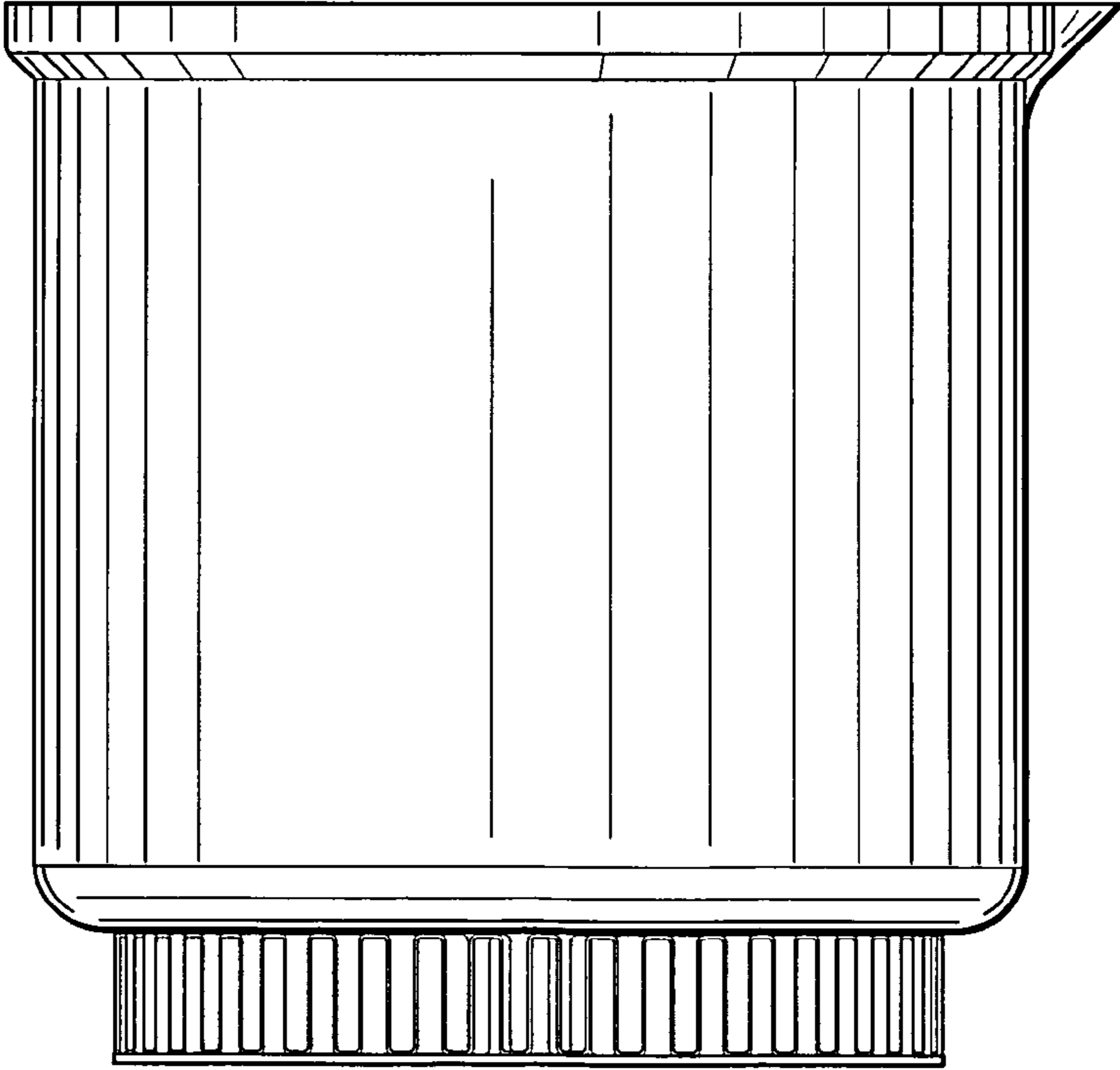


FIG. 3

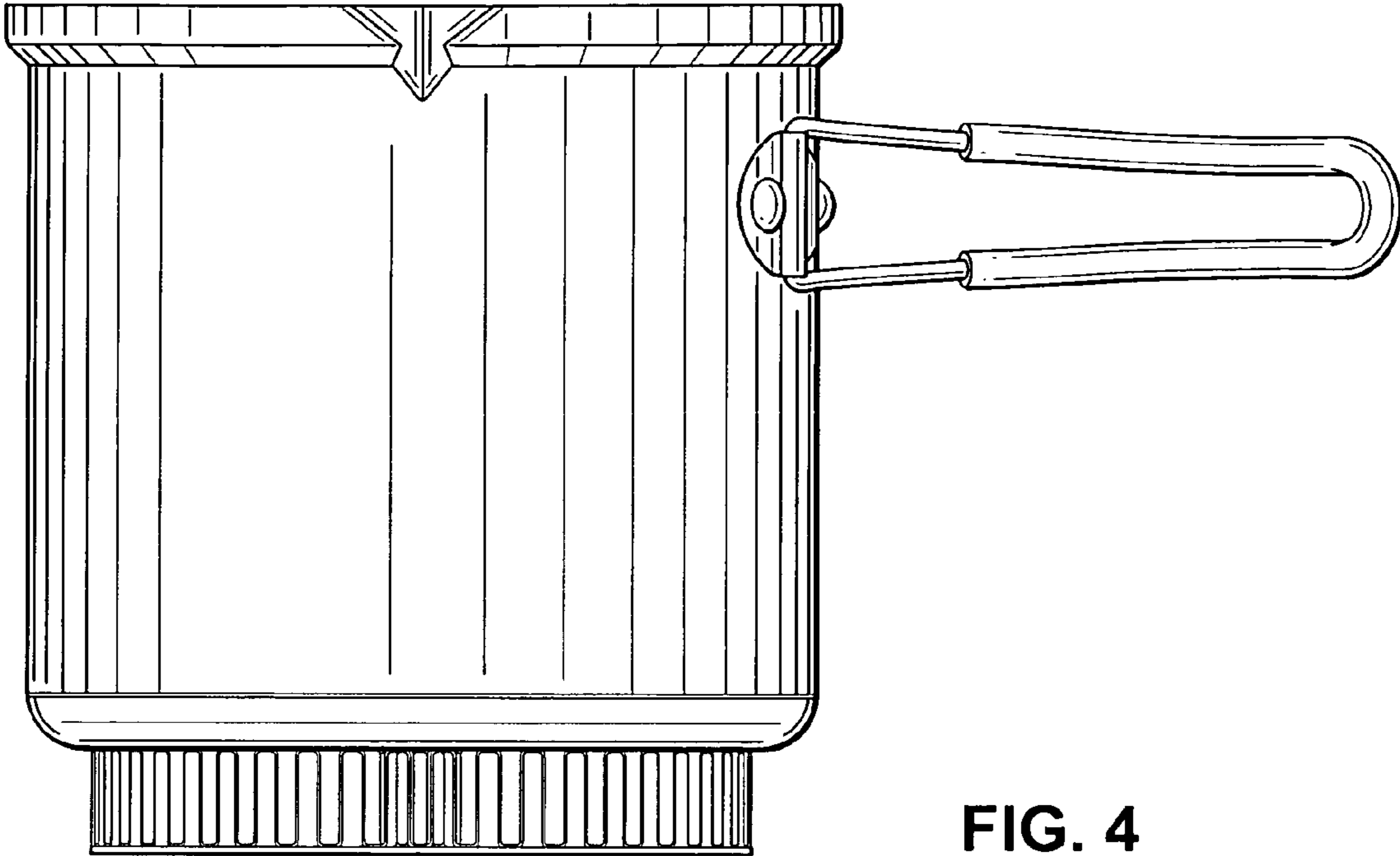


FIG. 4

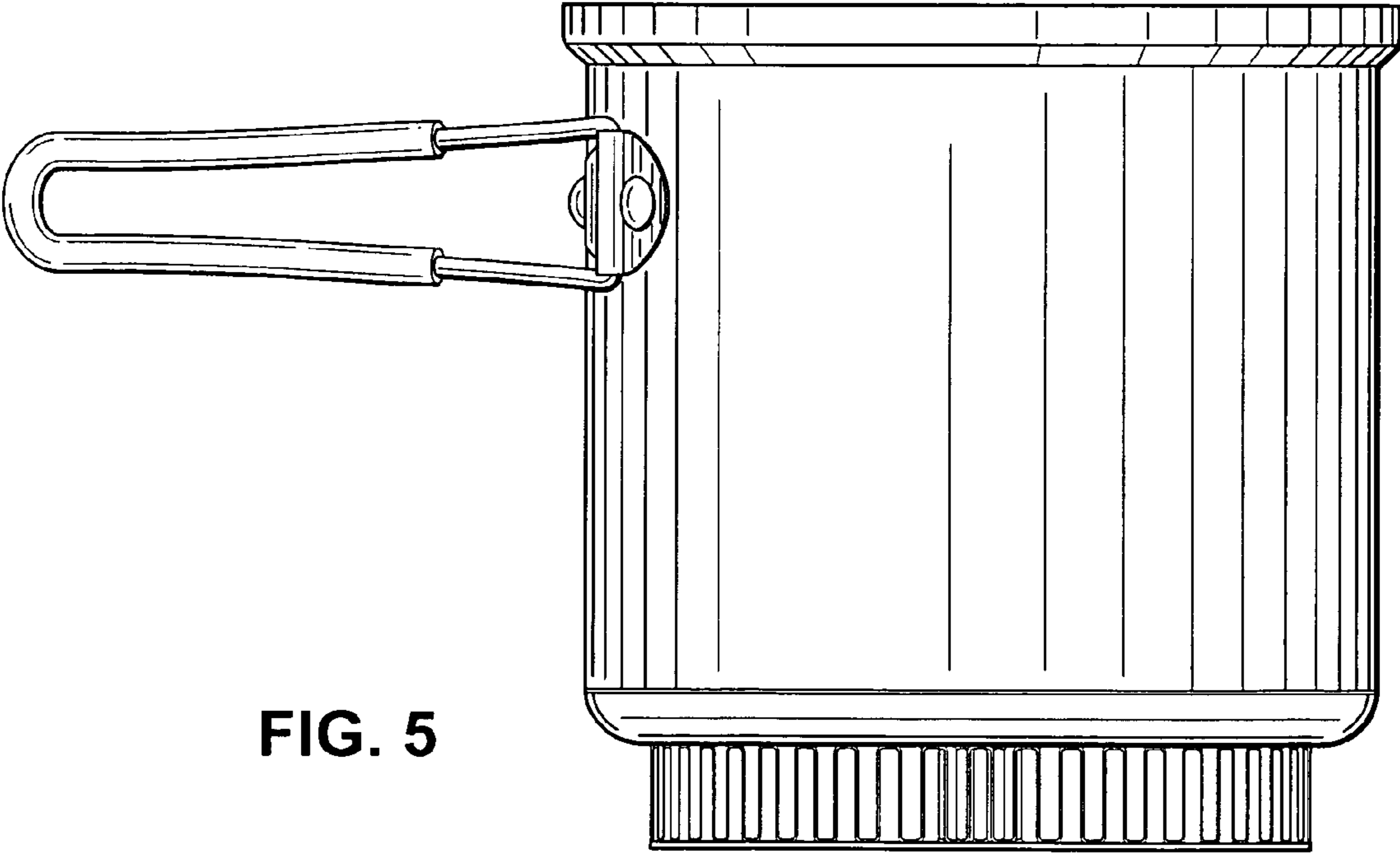


FIG. 5

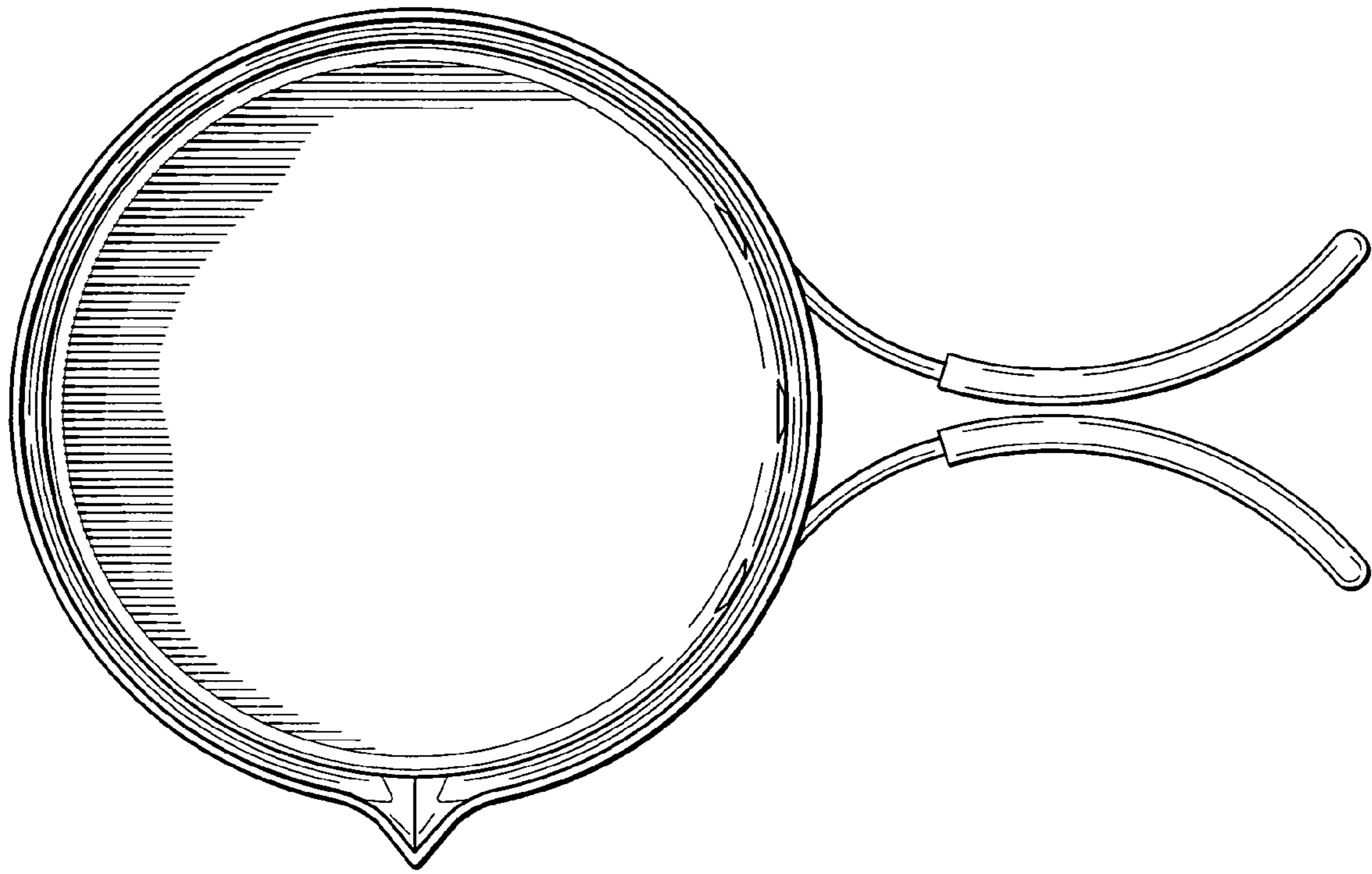


FIG. 6

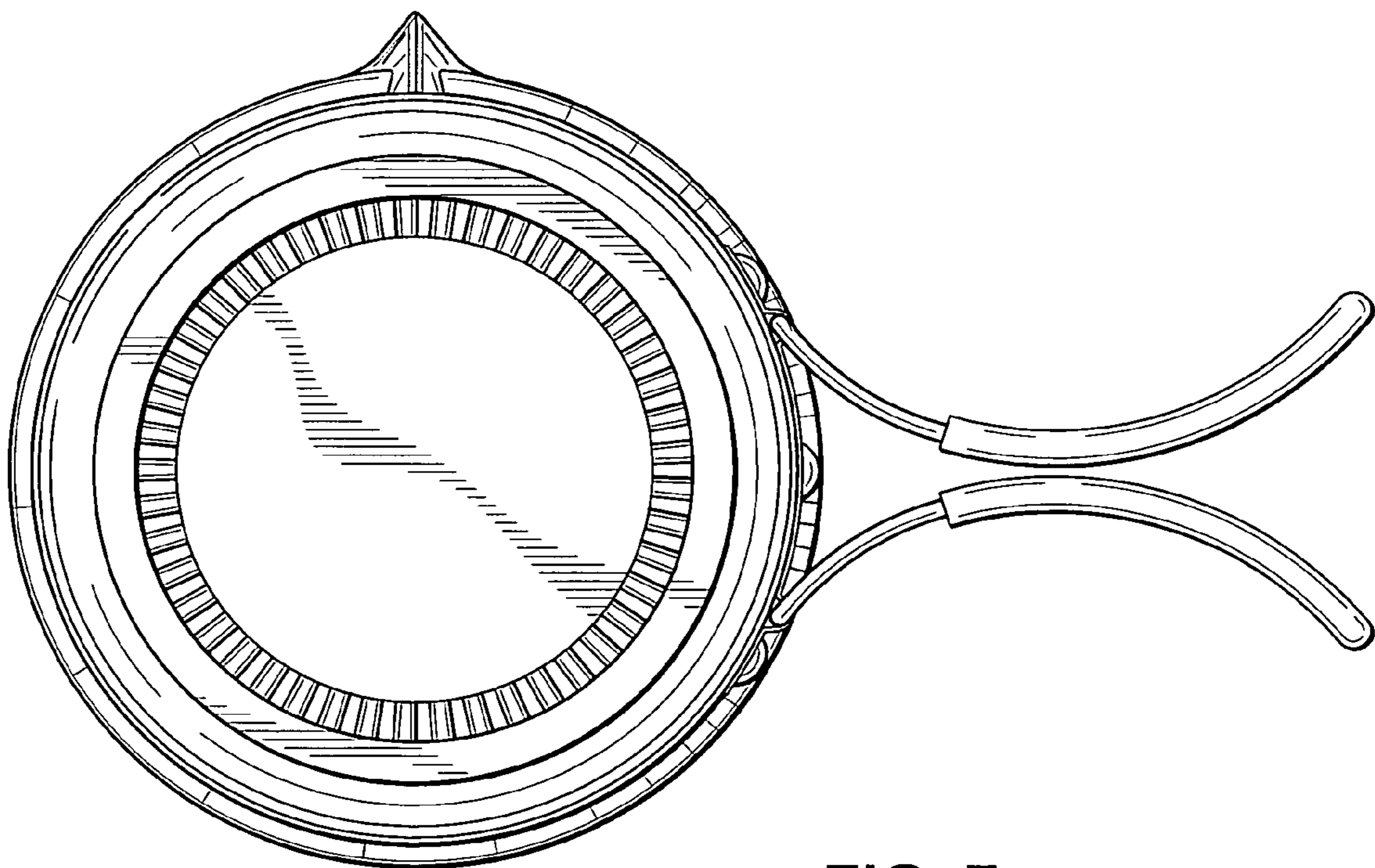


FIG. 7