



US00D600966S

(12) **United States Design Patent**
Weng et al.

(10) **Patent No.:** **US D600,966 S**

(45) **Date of Patent:** **** Sep. 29, 2009**

(54) **DISK ARRAY STORAGE BOX**

(75) Inventors: **Mao-Huai Weng**, San-Chung (TW);
Fang-Kao Hsiao, San-Chung (TW);
Chun-Hao Pan, San-Chung (TW);
Hsuan-Hung Tai, San-Chung (TW)

(73) Assignee: **Acard Technology Corp.**, Taipei County (TW)

(**) Term: **14 Years**

(21) Appl. No.: **29/294,016**

(22) Filed: **Dec. 21, 2007**

(51) **LOC (9) Cl.** **06-04**

(52) **U.S. Cl.** **D6/632**

(58) **Field of Classification Search** D6/407,
D6/626-635; D9/415, 418, 420, 422, 423,
D9/424, 425, 426, 428, 432, 433; D3/247,
D3/273, 294, 295, 299-301, 303; 206/307,
206/307.1, 308.1, 309, 311, 312, 313, 310,
206/751; 211/40, 41.1, 41.12; D14/478-479
See application file for complete search history.

(56) **References Cited**

U.S. PATENT DOCUMENTS

D391,437 S * 3/1998 Moore et al. D6/634
D413,753 S * 9/1999 Allsop D6/626

6,161,690 A * 12/2000 Isozaki 206/308.1
D525,069 S * 7/2006 Farrar et al. D6/632
D565,842 S * 4/2008 Falcone D3/294
D567,564 S * 4/2008 Sankey et al. D6/632
D569,674 S * 5/2008 Okura et al. D6/632
D586,602 S * 2/2009 Sankey et al. D6/632

* cited by examiner

Primary Examiner—Charles A Rademaker

Assistant Examiner—Charles D Hanson

(74) *Attorney, Agent, or Firm*—Troxell Law Office PLLC

(57) **CLAIM**

The ornamental design for a disk array storage box, as shown and described.

DESCRIPTION

FIG. 1 is a perspective view of a disk array storage box;

FIG. 2 is a front view thereof;

FIG. 3 is a back view thereof;

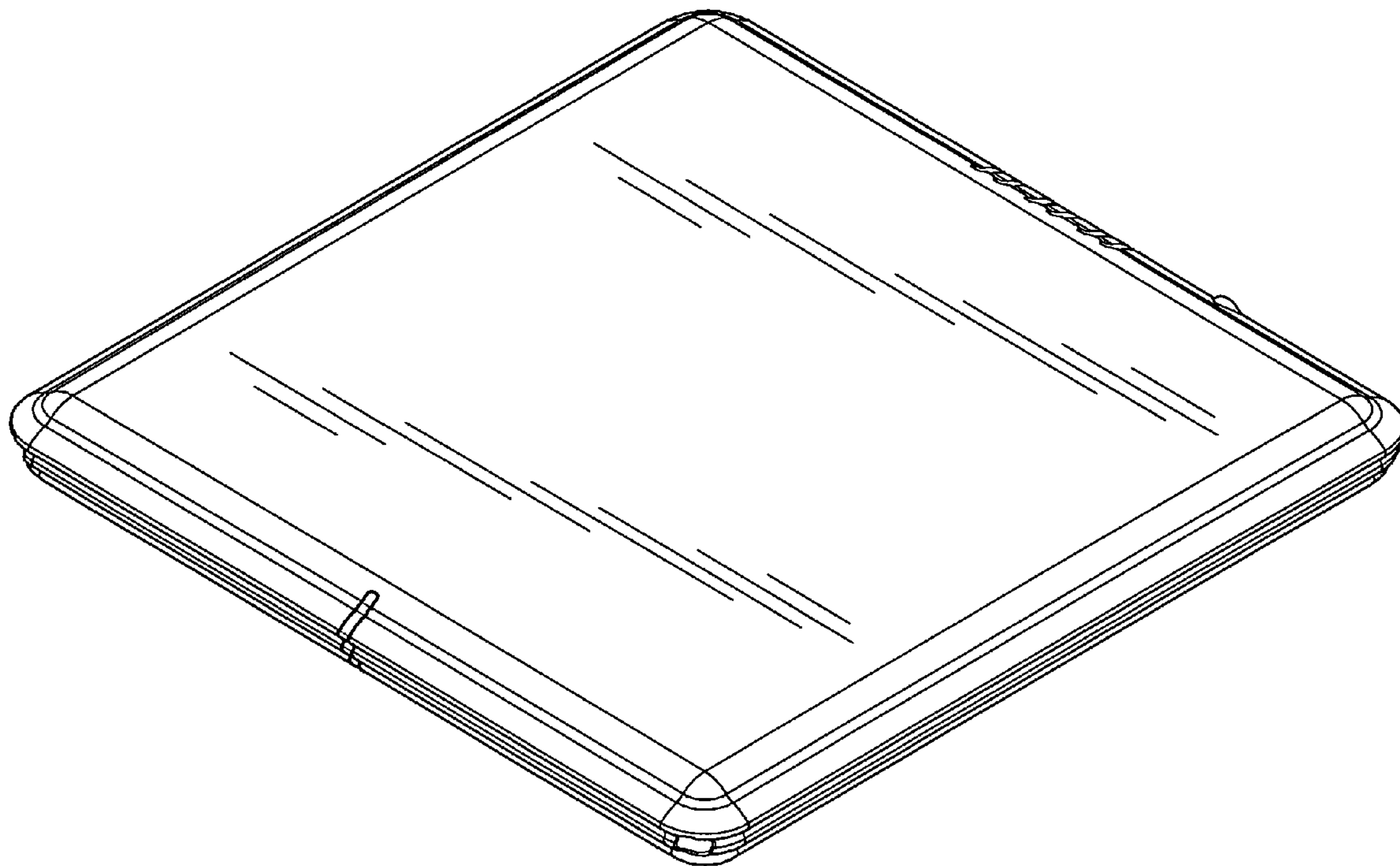
FIG. 4 is a left side view thereof;

FIG. 5 is a right side view thereof;

FIG. 6 is a top view thereof; and,

FIG. 7 is a bottom view thereof.

1 Claim, 5 Drawing Sheets



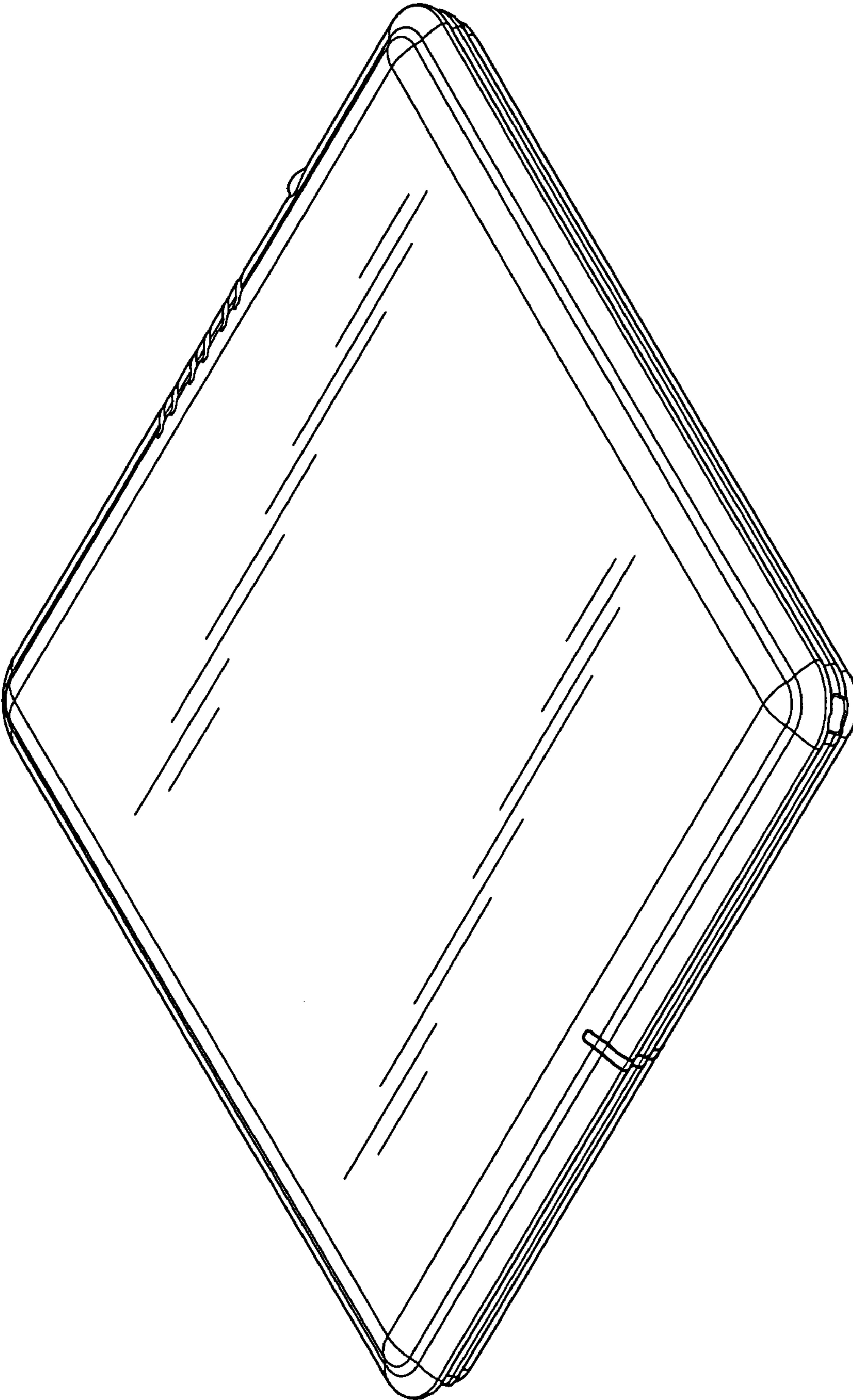


FIG. 1

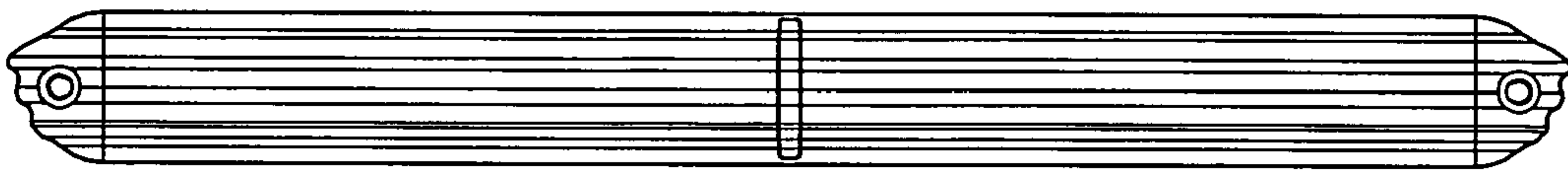


FIG. 2

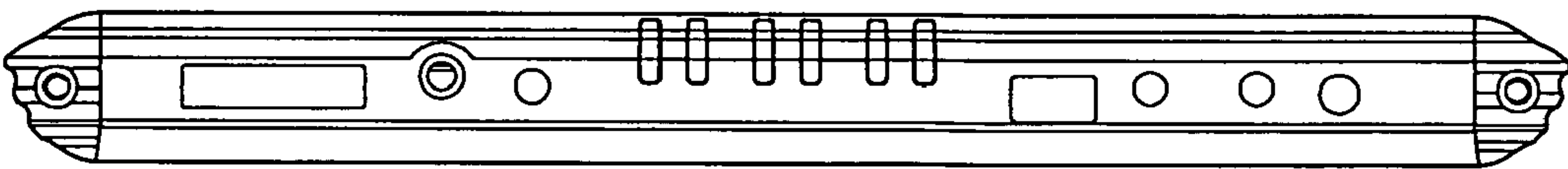


FIG. 3

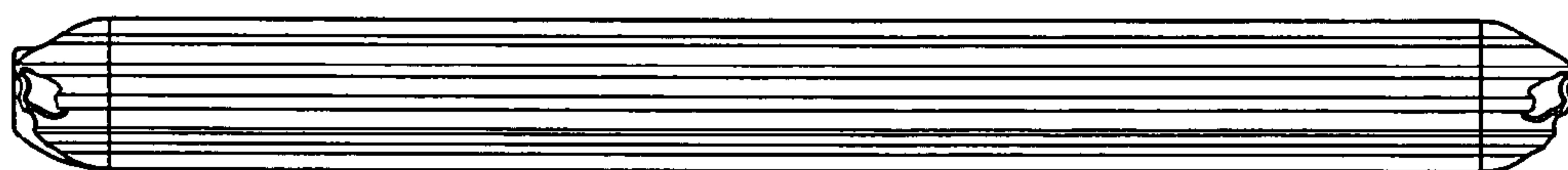


FIG. 4

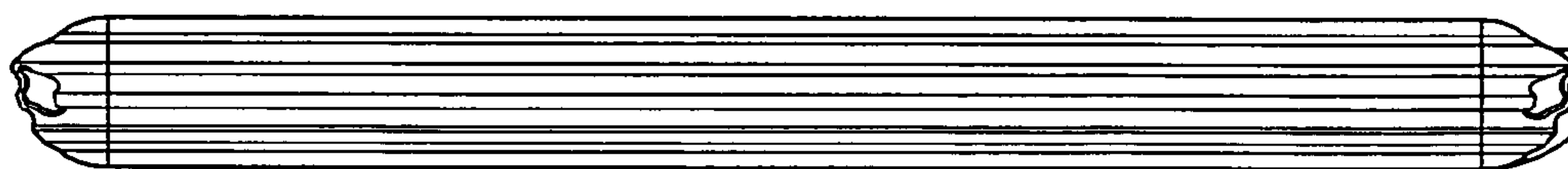


FIG. 5

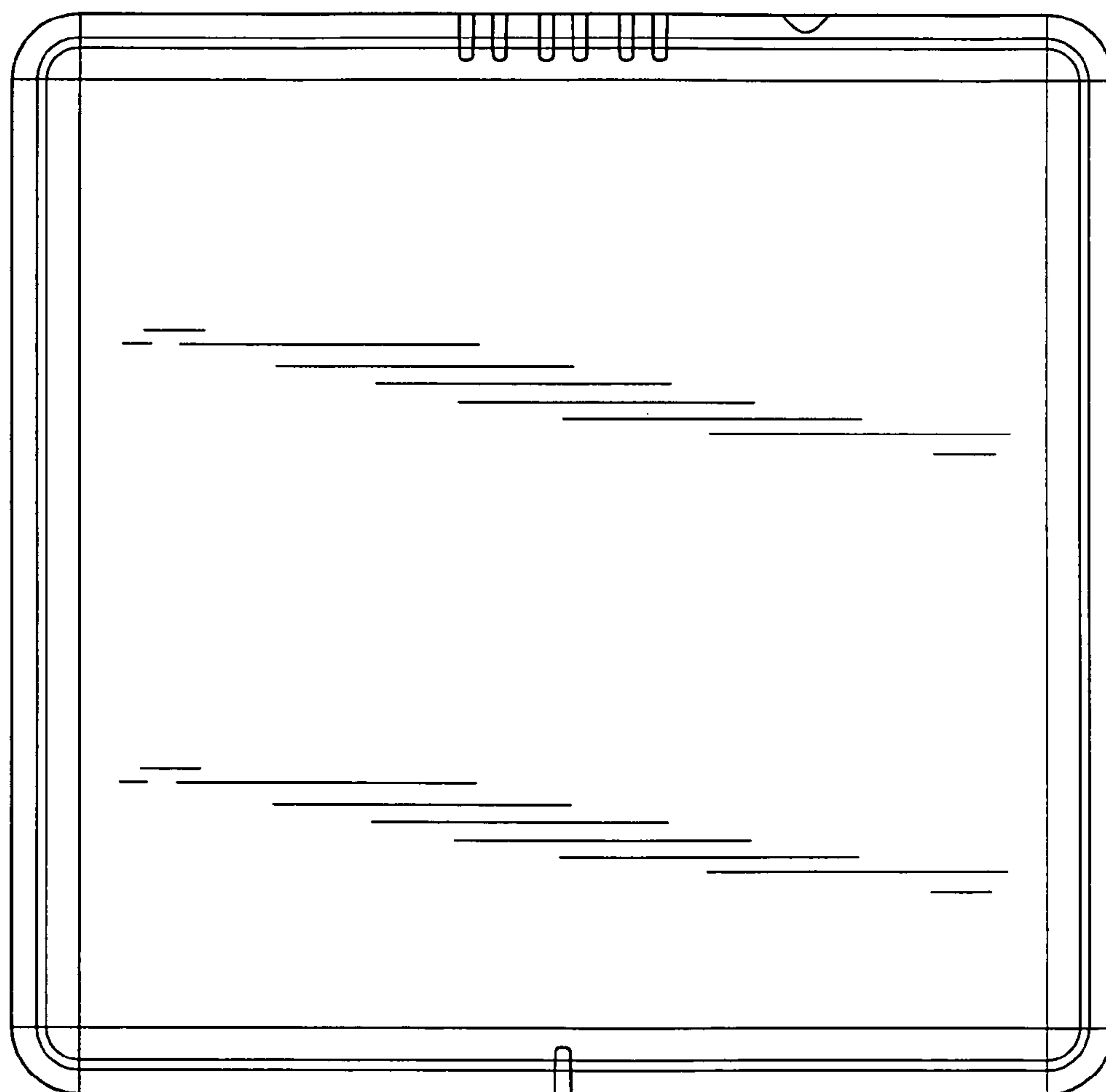


FIG. 6

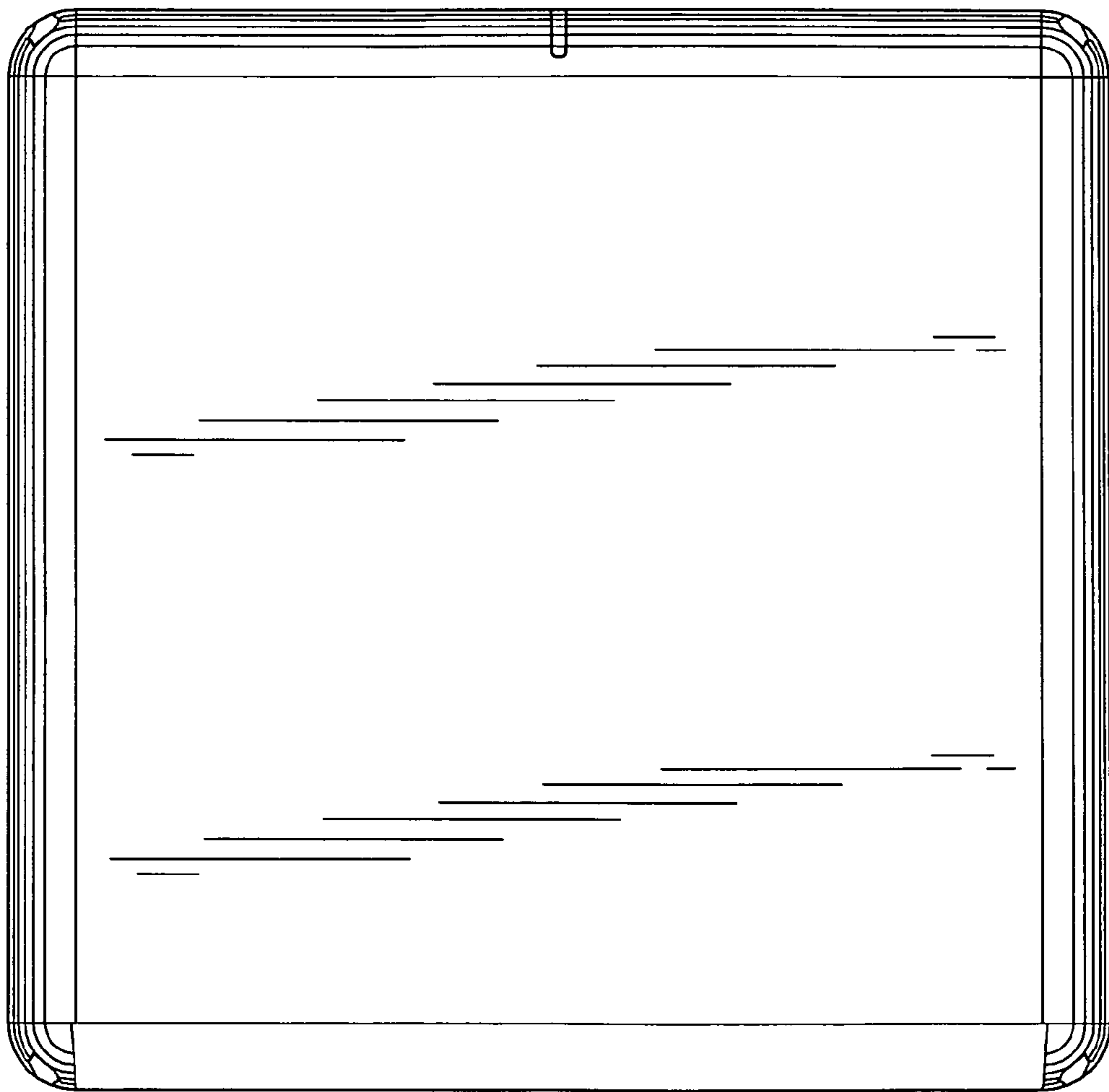


FIG. 7