



(12) **United States Design Patent**
Eliáš et al.

(10) **Patent No.:** **US D600,965 S**
(45) **Date of Patent:** **** Sep. 29, 2009**

(54) **DISC CONTAINER FOLDER**
(75) Inventors: **Ondrej Eliáš**, Trnava (SK); **Július Nagy**, Lozorno (SK)
(73) Assignee: **ESET, spol, s.r.o.**, Bratislava (SK)
(**) Term: **14 Years**
(21) Appl. No.: **29/317,091**
(22) Filed: **Apr. 22, 2008**

(30) **Foreign Application Priority Data**
Oct. 22, 2007 (EM) 000813043

(51) **LOC (9) Cl.** **06-02**
(52) **U.S. Cl.** **D6/626**
(58) **Field of Classification Search** D6/407,
D6/626-635; D9/415, 418, 420, 422, 423,
D9/424, 425, 426, 428, 432, 433; D19/26,
D19/27; 206/307, 307.1, 308.1, 309, 311,
206/312, 313, 310, 751; 211/40, 41.1, 41.12;
D3/273, 294, 295, 299-301, 303
See application file for complete search history.

(56) **References Cited**
U.S. PATENT DOCUMENTS
3,595,383 A * 7/1971 Boylan 206/312
5,246,107 A * 9/1993 Long et al. 206/308.1
5,291,990 A * 3/1994 Sejzer 206/748
5,593,030 A * 1/1997 Tell 206/308.1
5,765,695 A * 6/1998 Picciallo 211/40
5,921,386 A * 7/1999 Smith 206/308.1

6,634,495 B2 * 10/2003 Hass 206/312
D485,466 S * 1/2004 Haruhiro D6/629
D519,367 S * 4/2006 Alexander D9/433
7,104,396 B2 * 9/2006 Marsilio et al. 206/308.1
D548,782 S * 8/2007 Nash D19/26

* cited by examiner
Primary Examiner—Charles A Rademaker
Assistant Examiner—Charles D Hanson
(74) *Attorney, Agent, or Firm*—Hovey Williams LLP

(57) **CLAIM**

The ornamental design for disc container folder, as shown and described.

DESCRIPTION

FIG. 1 is a perspective view of of a disc container folder, showing our new design, in a partially folded position;
FIG. 2 is a front elevation view thereof, in a fully unfolded position;
FIG. 3 is a left side elevation view thereof, the right side being a mirror image;
FIG. 4 is a top plan view thereof, the bottom plan being a mirror image;
FIG. 5 is a rear elevation view thereof; and,
FIG. 6 is a perspective view thereof, in a fully folded position.
The broken line showing of a disc in the figure drawings is included for purposes of illustrating environment and forms no part of the claimed design.

1 Claim, 4 Drawing Sheets

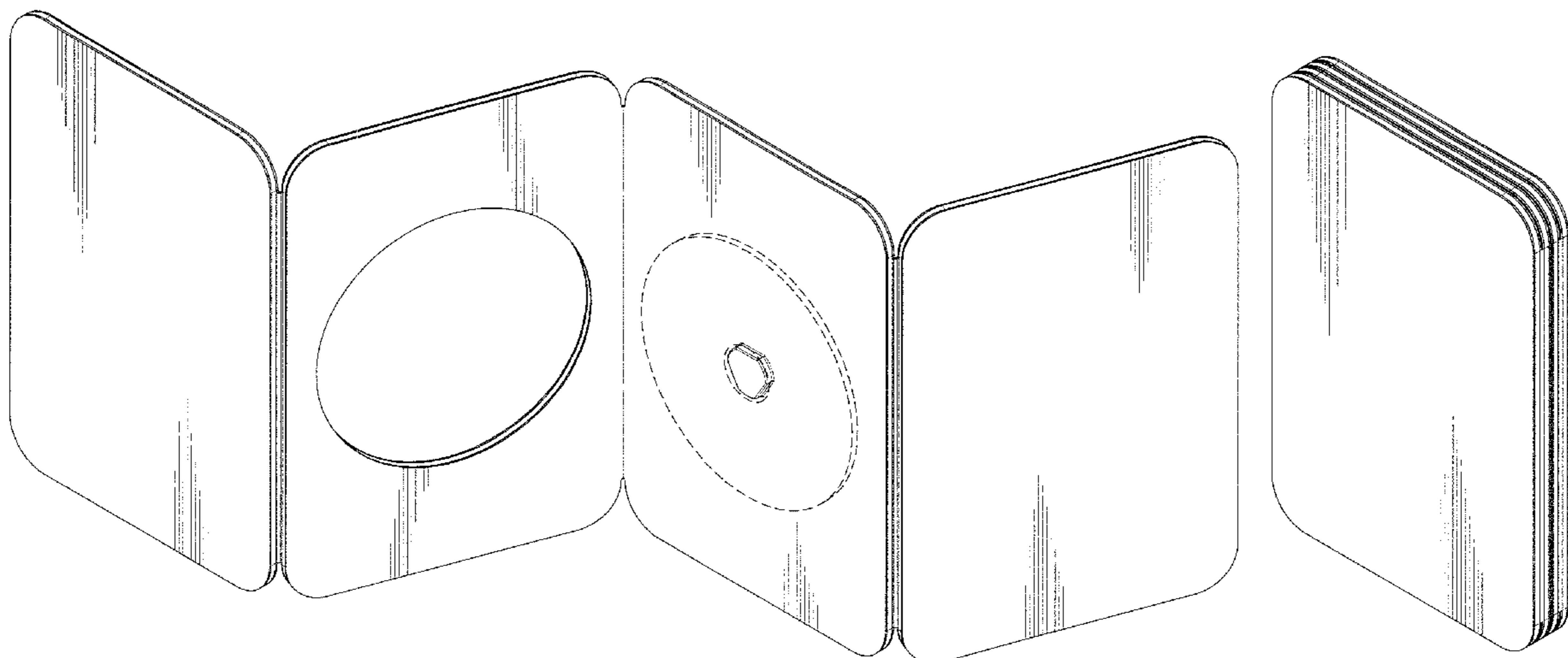




Fig. 3.

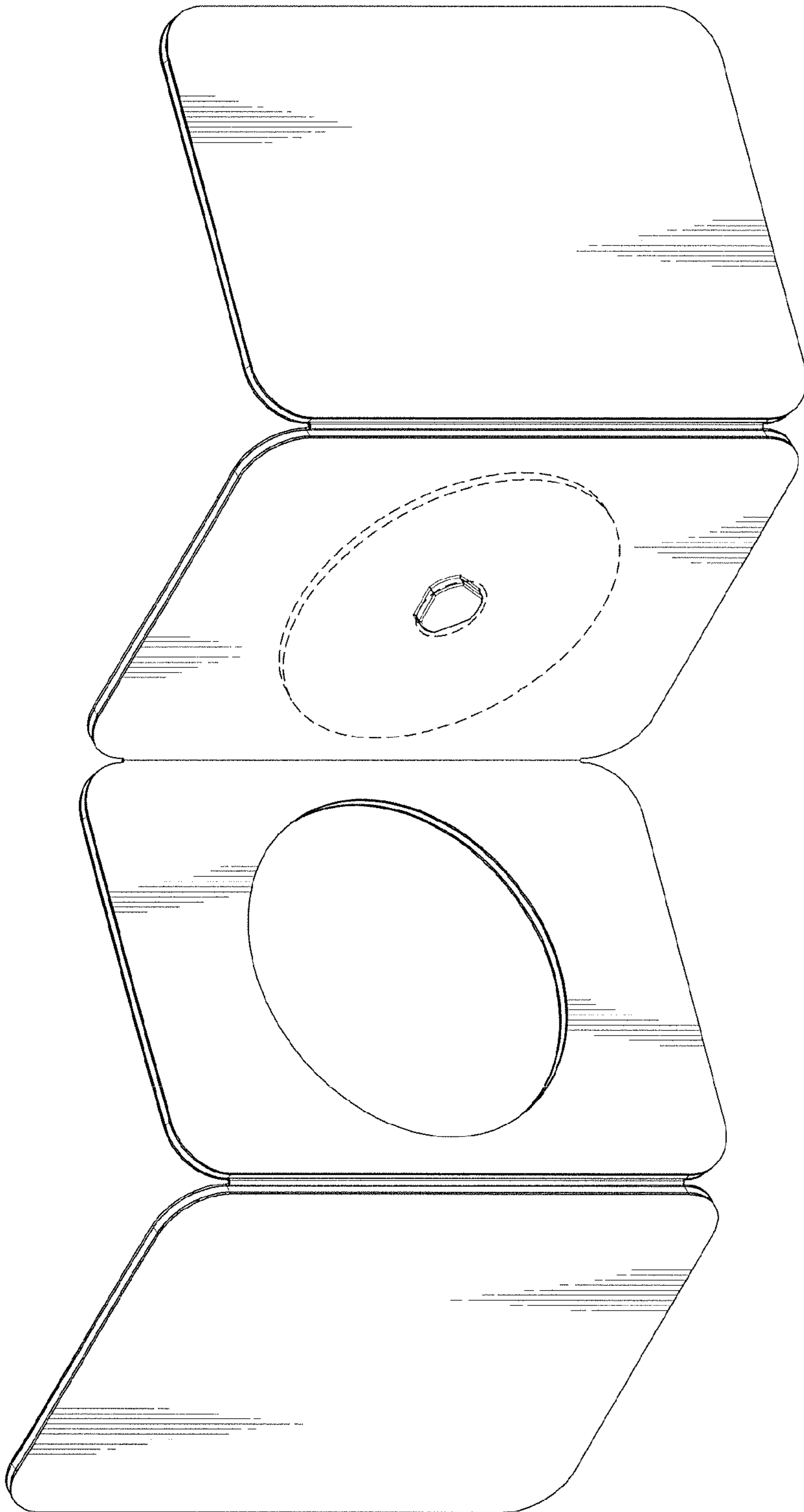


Fig. 1.

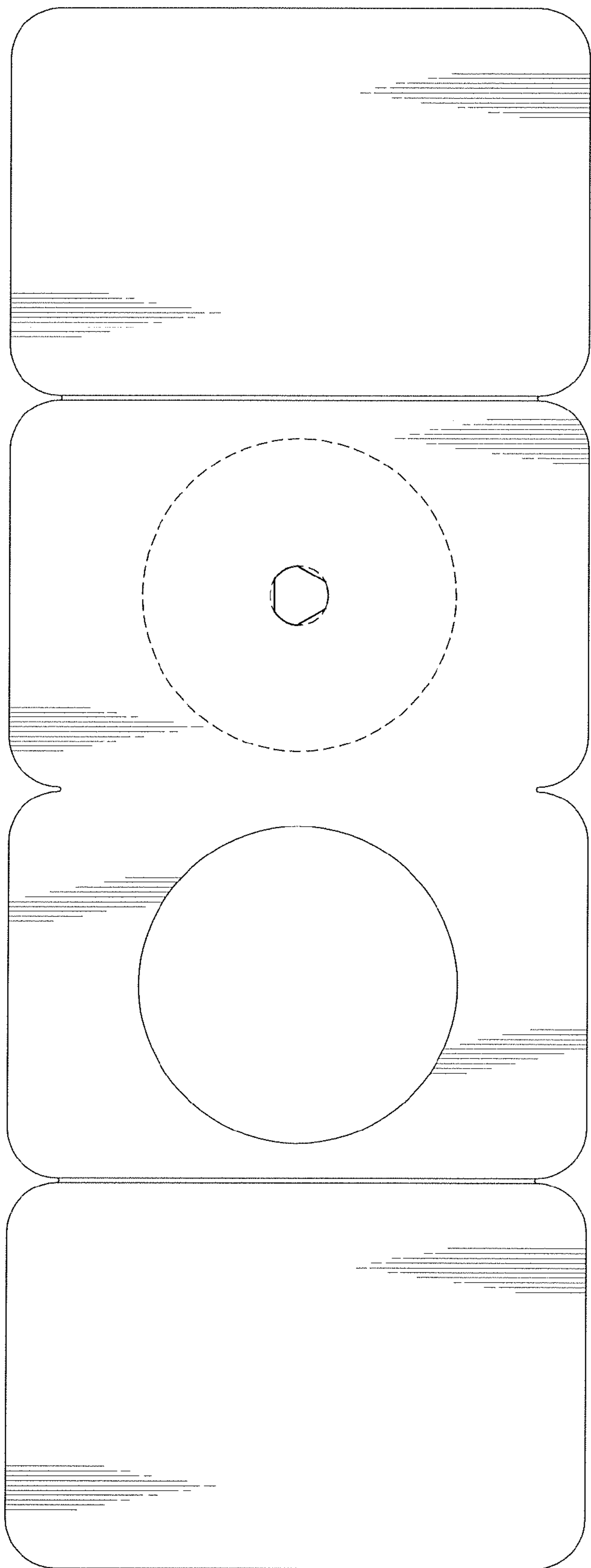


Fig. 2.

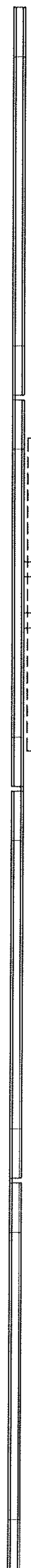


Fig. 4.

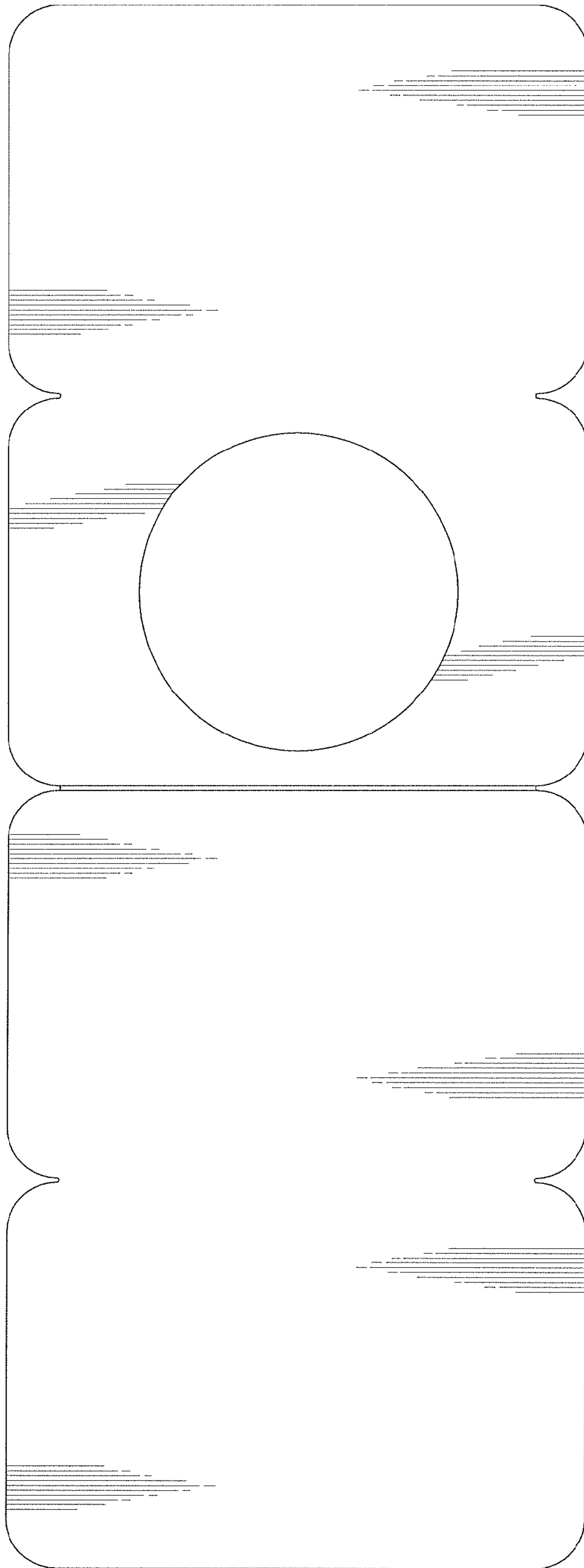


Fig. 5.

Fig. 6.

