



(12) **United States Design Patent**  
**Eliáš et al.**

(10) **Patent No.:** **US D600,964 S**  
(45) **Date of Patent:** **\*\* Sep. 29, 2009**

(54) **COMBINED DISC CONTAINER AND FOLDER**

(75) Inventors: **Ondrej Eliáš**, Trnava (SK); **Július Nagy**, Lozorno (SK)

(73) Assignee: **ESET, spol, s.r.o.**, Bratislava (SK)

(\*\*) Term: **14 Years**

(21) Appl. No.: **29/317,089**

(22) Filed: **Apr. 22, 2008**

(30) **Foreign Application Priority Data**

Dec. 22, 2007 (EM) ..... 000813043

(51) **LOC (9) Cl.** ..... **06-02**

(52) **U.S. Cl.** ..... **D6/626; D6/407; D9/721**

(58) **Field of Classification Search** ..... D6/407,  
D6/626-635; D9/415, 418, 420, 422, 423,  
D9/424, 425, 426, 428, 432, 433; D19/26,  
D19/27; 206/307, 307.1, 308.1, 309, 311,  
206/312, 313, 310, 751; 211/40, 41.1, 41.12;  
D3/273, 294, 295, 299-301, 303  
See application file for complete search history.

(56) **References Cited**

**U.S. PATENT DOCUMENTS**

3,595,383 A \* 7/1971 Boylan ..... 206/312  
5,246,107 A \* 9/1993 Long et al. .... 206/308.1  
5,291,990 A \* 3/1994 Sejzer ..... 206/748  
5,593,030 A \* 1/1997 Tell ..... 206/308.1  
5,765,695 A \* 6/1998 Picciallo ..... 211/40

5,921,386 A \* 7/1999 Smith ..... 206/308.1  
6,634,495 B2 \* 10/2003 Hass ..... 206/312  
D485,466 S \* 1/2004 Haruhiro ..... D6/629  
D519,367 S \* 4/2006 Alexander ..... D9/433  
7,104,396 B2 \* 9/2006 Marsilio et al. .... 206/308.1  
D548,782 S \* 8/2007 Nash ..... D19/26

\* cited by examiner

*Primary Examiner*—Charles A Rademaker

*Assistant Examiner*—Charles D Hanson

(74) *Attorney, Agent, or Firm*—Hovey Williams LLP

(57) **CLAIM**

The ornamental design for a combined disc container and folder, as shown and described.

**DESCRIPTION**

FIG. 1 is a top right front perspective view of a combined disc container and folder showing our new design, with a partially opened upper flap;

FIG. 2 is a bottom left rear perspective view thereof;

FIG. 3 is front elevational view thereof;

FIG. 4 is a right side elevational view thereof;

FIG. 5 is a left side elevational view thereof;

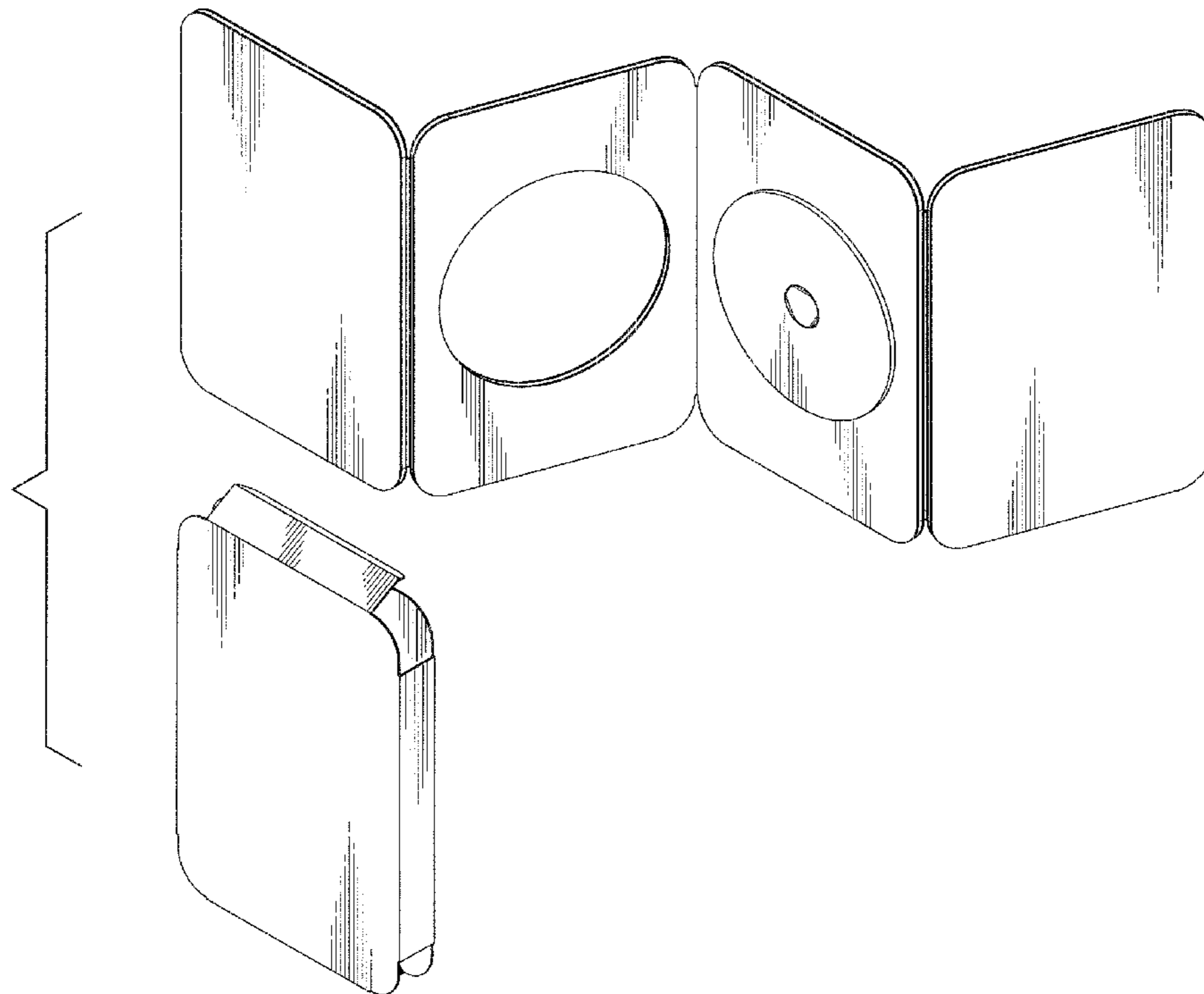
FIG. 6 is a rear elevational view thereof;

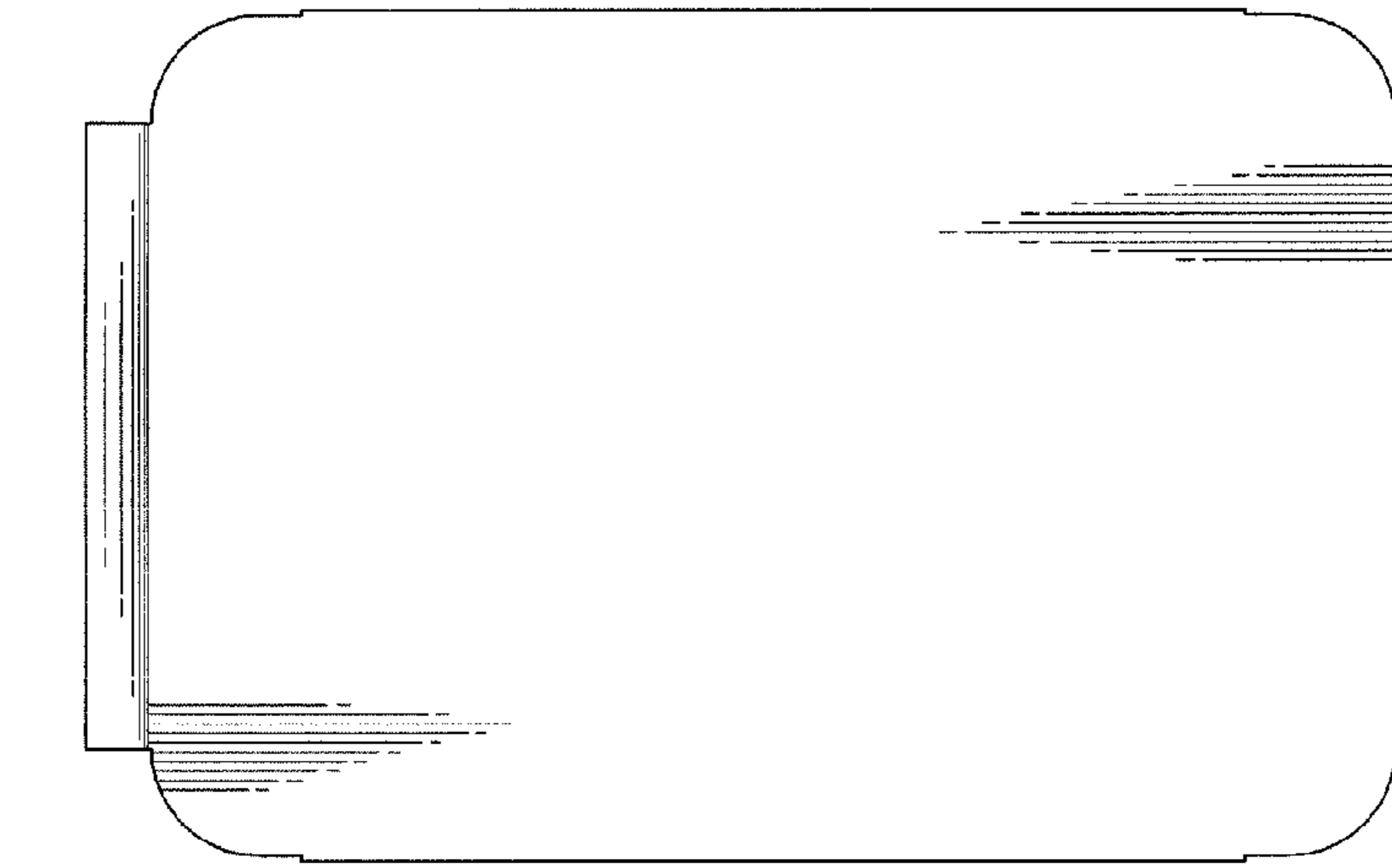
FIG. 7 is a top plan view thereof;

FIG. 8 is a bottom view thereof; and,

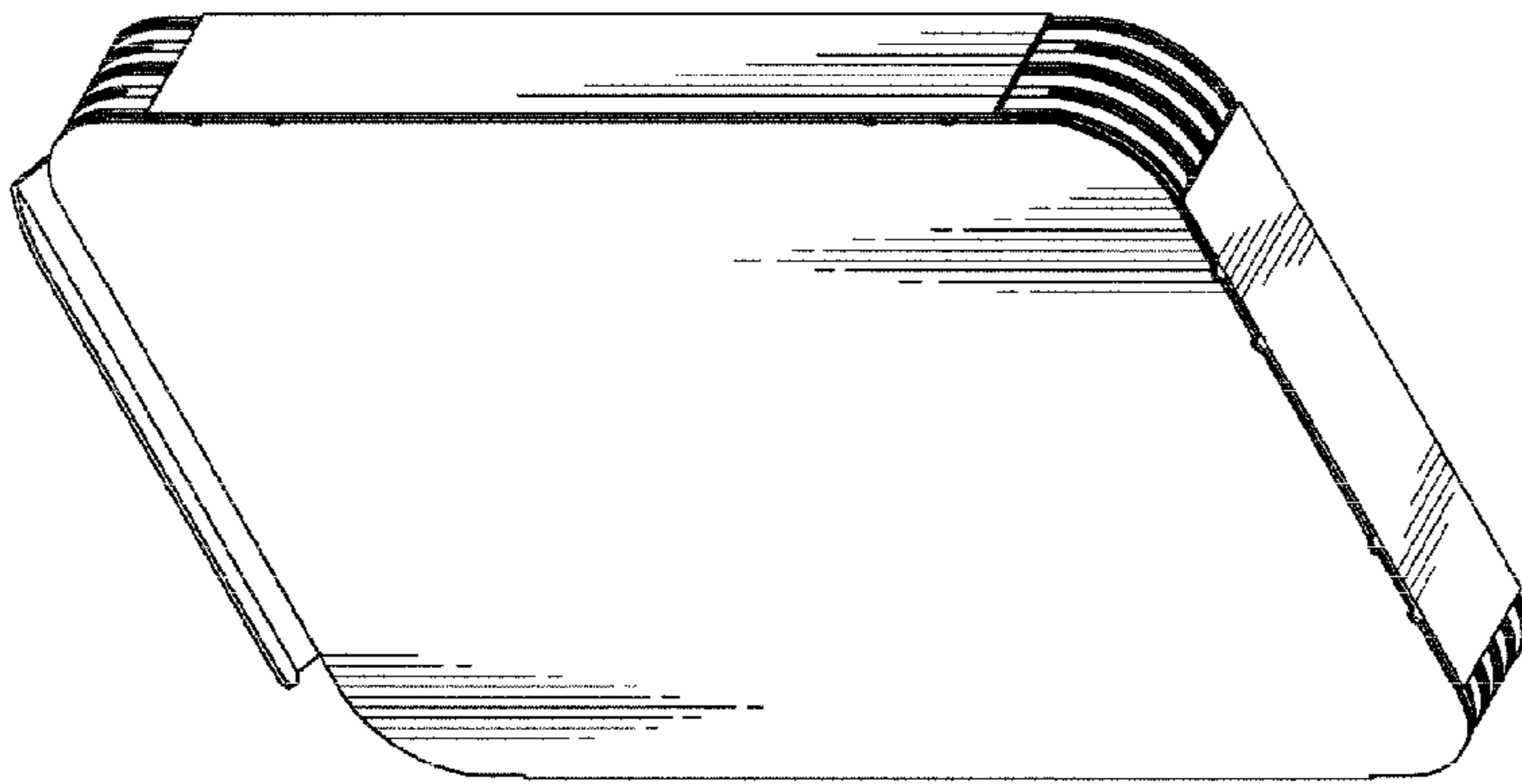
FIG. 9 is an exploded perspective view of the container and folder separated for ease of illustration.

**1 Claim, 3 Drawing Sheets**

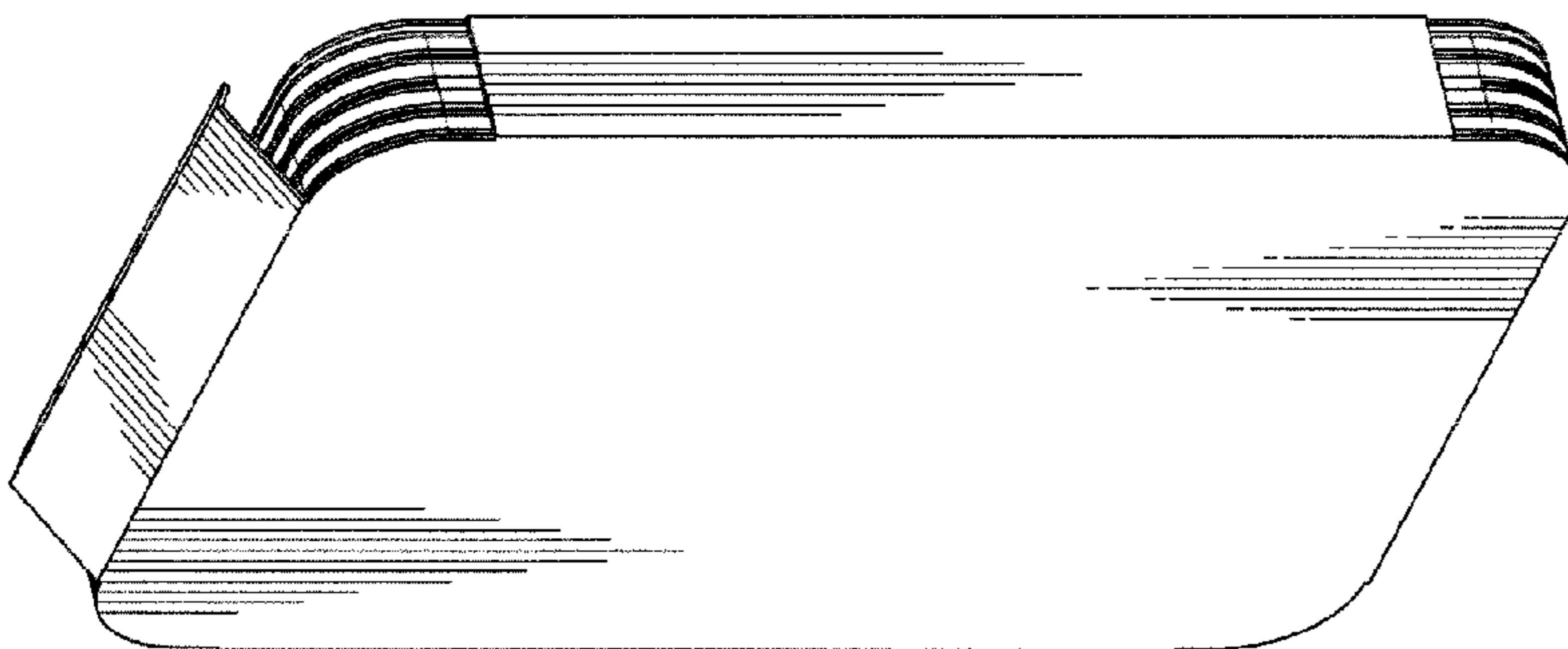




*Fig. 3.*



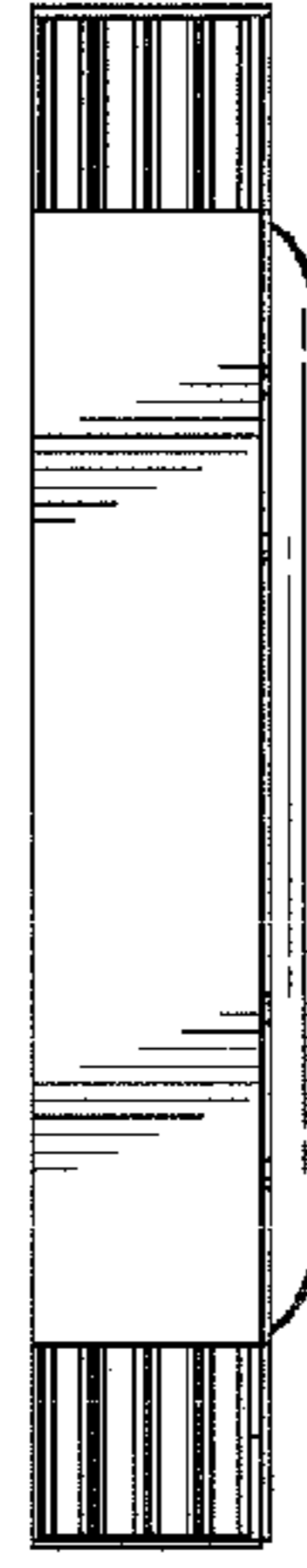
*Fig. 2.*



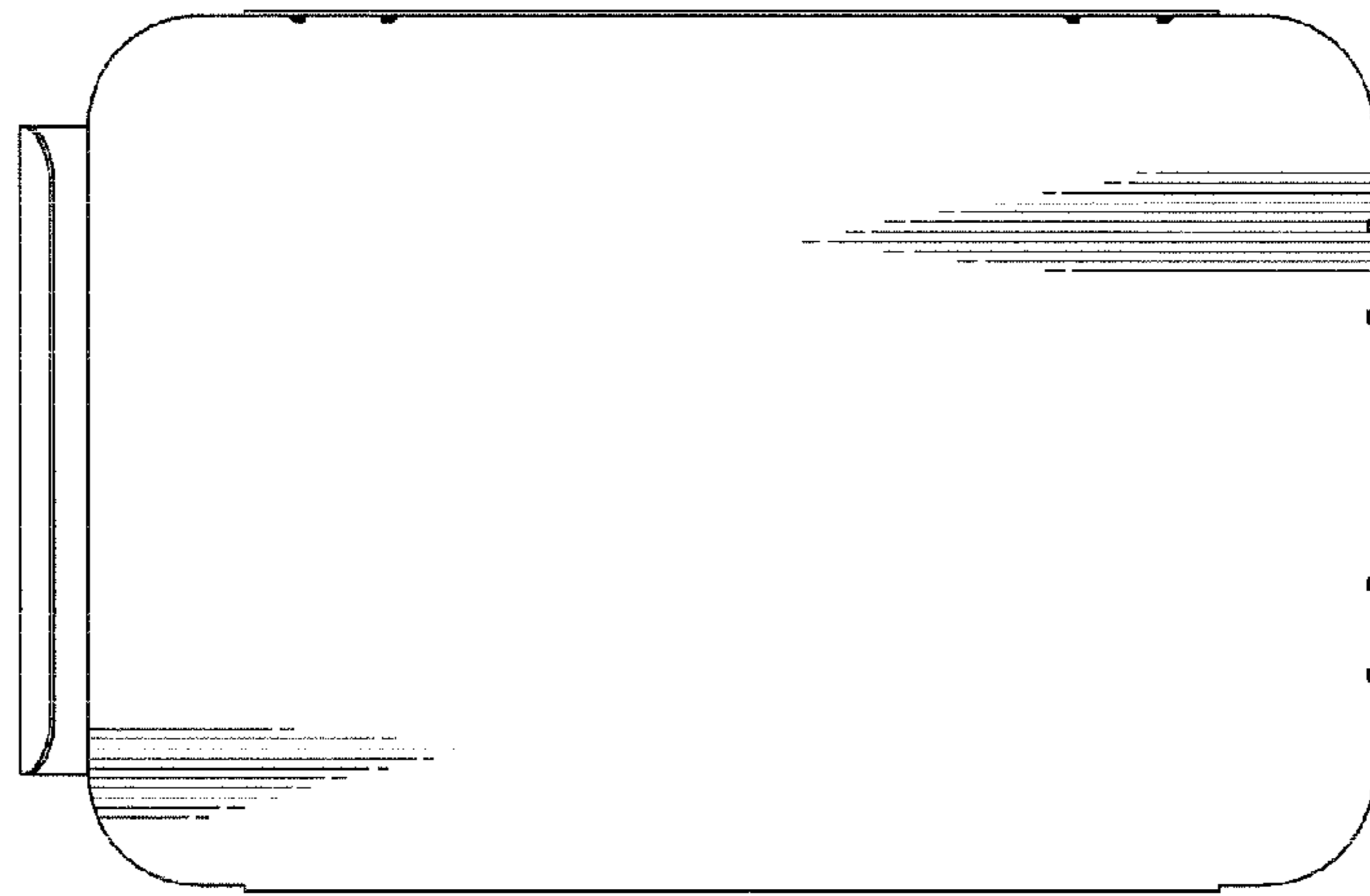
*Fig. 1.*



*Fig. 7.*



*Fig. 8.*



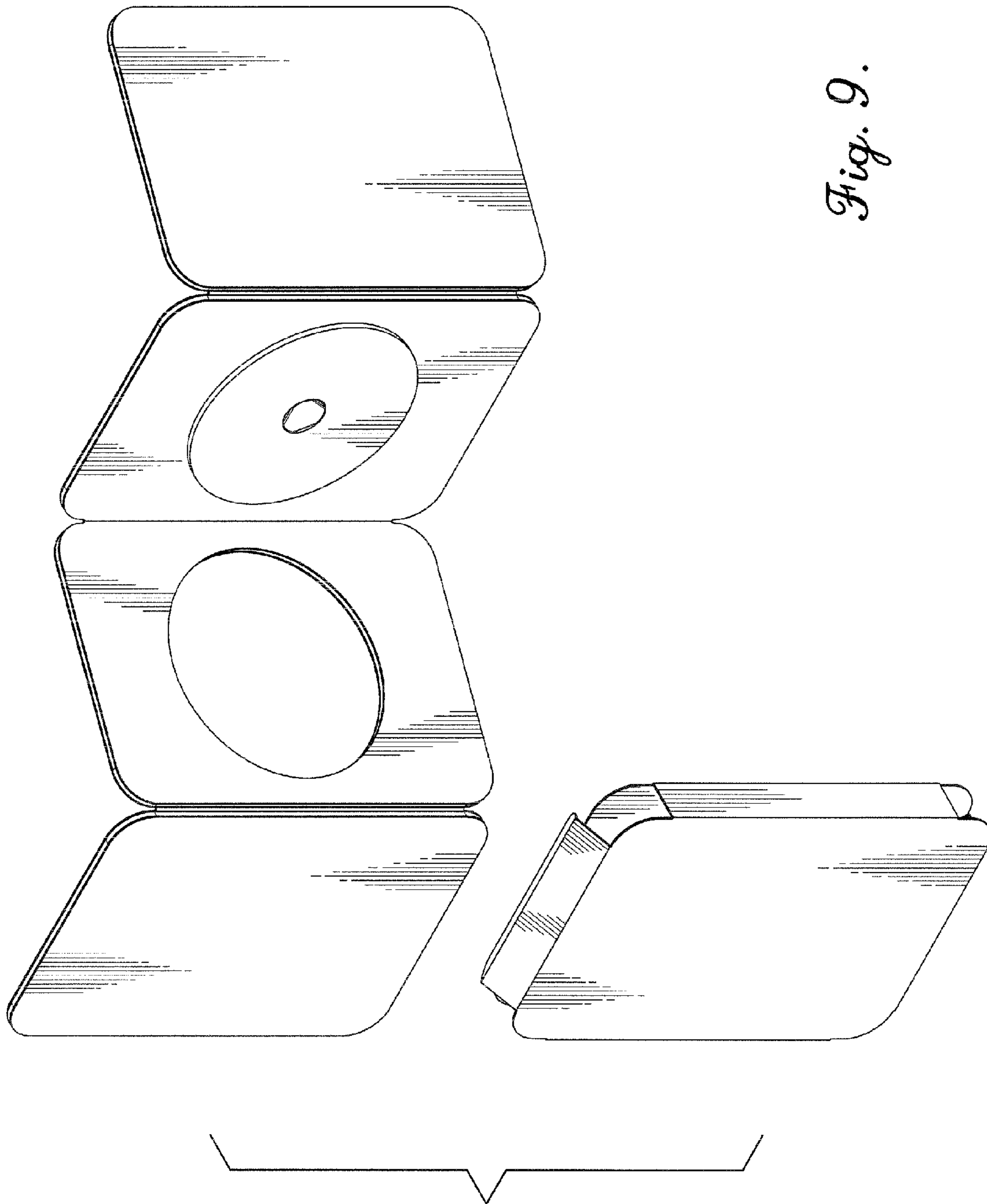
*Fig. 6.*



*Fig. 5.*



*Fig. 4.*



*Fig. 9.*