



US00D600960S

(12) **United States Design Patent**  
**Krumpe**

(10) **Patent No.:** **US D600,960 S**

(45) **Date of Patent:** **\*\* Sep. 29, 2009**

(54) **TOWEL RING**

(75) Inventor: **Geraint Krumpe**, Chicago, IL (US)

(73) Assignee: **Liberty Hardware Mfg. Corp.**,  
Winston-Salem, NC (US)

(\*\*) Term: **14 Years**

(21) Appl. No.: **29/330,869**

(22) Filed: **Jan. 15, 2009**

(51) **LOC (9) Cl.** ..... **06-04**

(52) **U.S. Cl.** ..... **D6/546**

(58) **Field of Classification Search** ..... D6/518-524,  
D6/546-550; D8/300, 370, 315; 108/28-29;  
211/13.1, 16, 85.5, 86.01, 87.01, 88.04, 100,  
211/105.1, 105.2, 106, 113, 123, 181.1, 182-183;  
248/49, 175, 176.1, 200, 201, 205.1, 251,  
248/302, 309.1, 315; 242/570, 590, 595-598  
See application file for complete search history.

(56) **References Cited**

**U.S. PATENT DOCUMENTS**

D464,832 S \* 10/2002 Moore ..... D6/546  
D465,368 S \* 11/2002 Moore ..... D6/546

D505,819 S \* 6/2005 Hoernig ..... D6/546  
D529,741 S \* 10/2006 Hoernig ..... D6/546  
D540,085 S \* 4/2007 Krumpe et al. .... D6/546  
D546,606 S \* 7/2007 Berberet ..... D6/550  
D577,938 S \* 10/2008 Krumpe ..... D6/546

\* cited by examiner

*Primary Examiner*—Brian N Vinson

(74) *Attorney, Agent, or Firm*—Edgar A. Zarins; Nirav D. Parikh

(57) **CLAIM**

The ornamental design for a towel ring, as shown and described.

**DESCRIPTION**

FIG. 1 is a perspective view of a towel ring showing my new design;

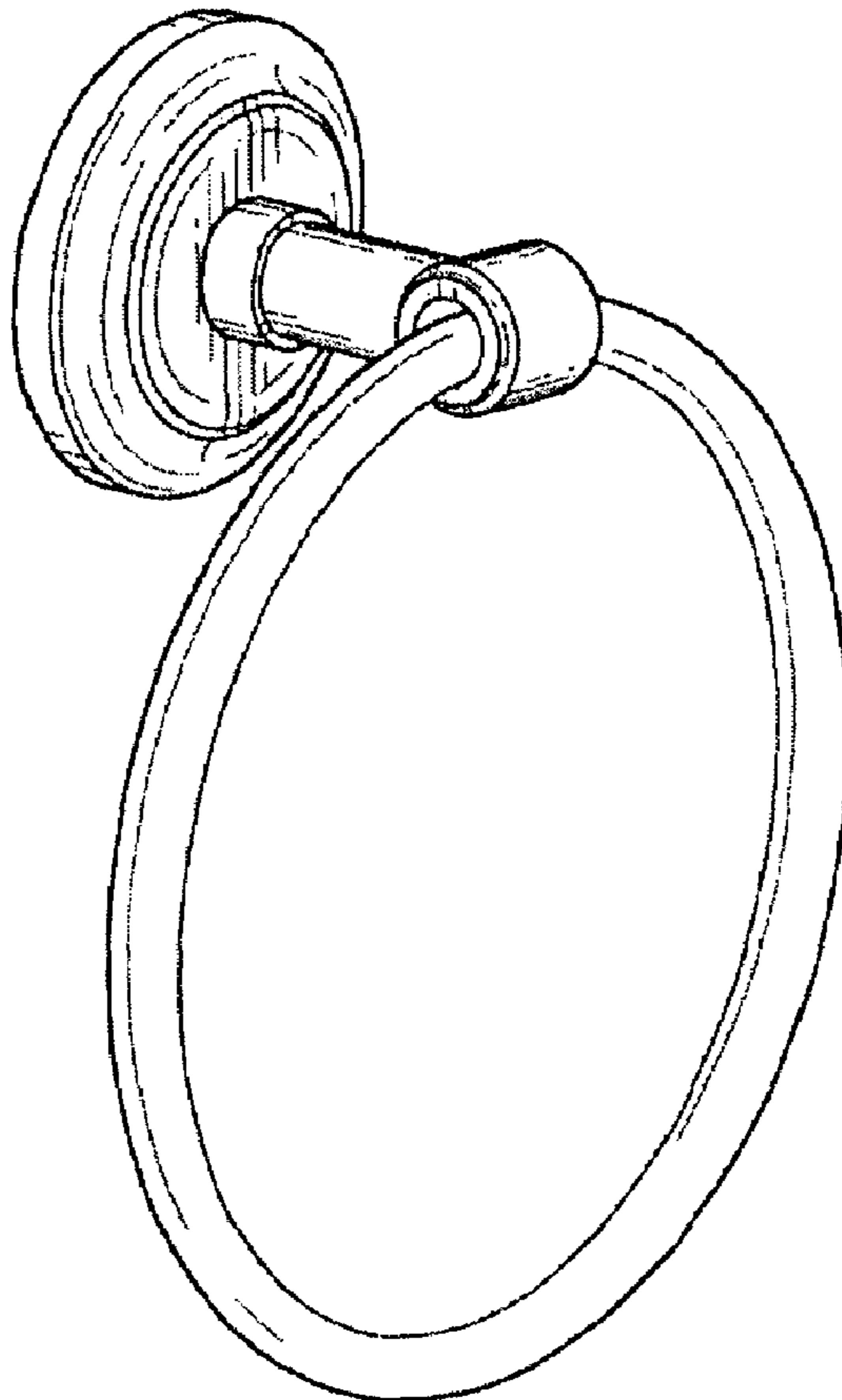
FIG. 2 is a front elevational view thereof;

FIG. 3 is a right side view thereof, the opposite side being a mirror image of the side shown;

FIG. 4 is a top plan view thereof; and,

FIG. 5 is a bottom plan view thereof.

**1 Claim, 2 Drawing Sheets**



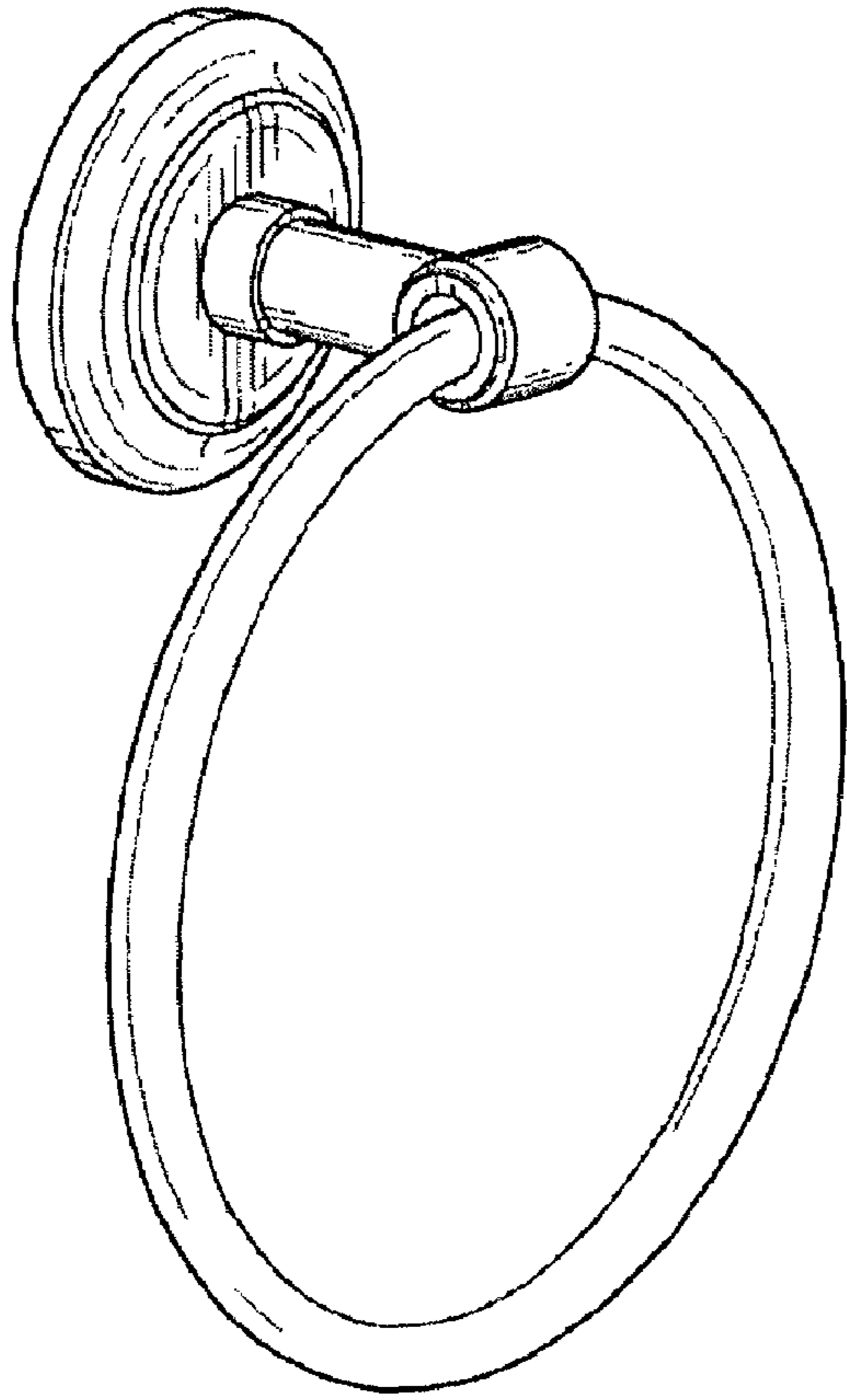


Fig-1

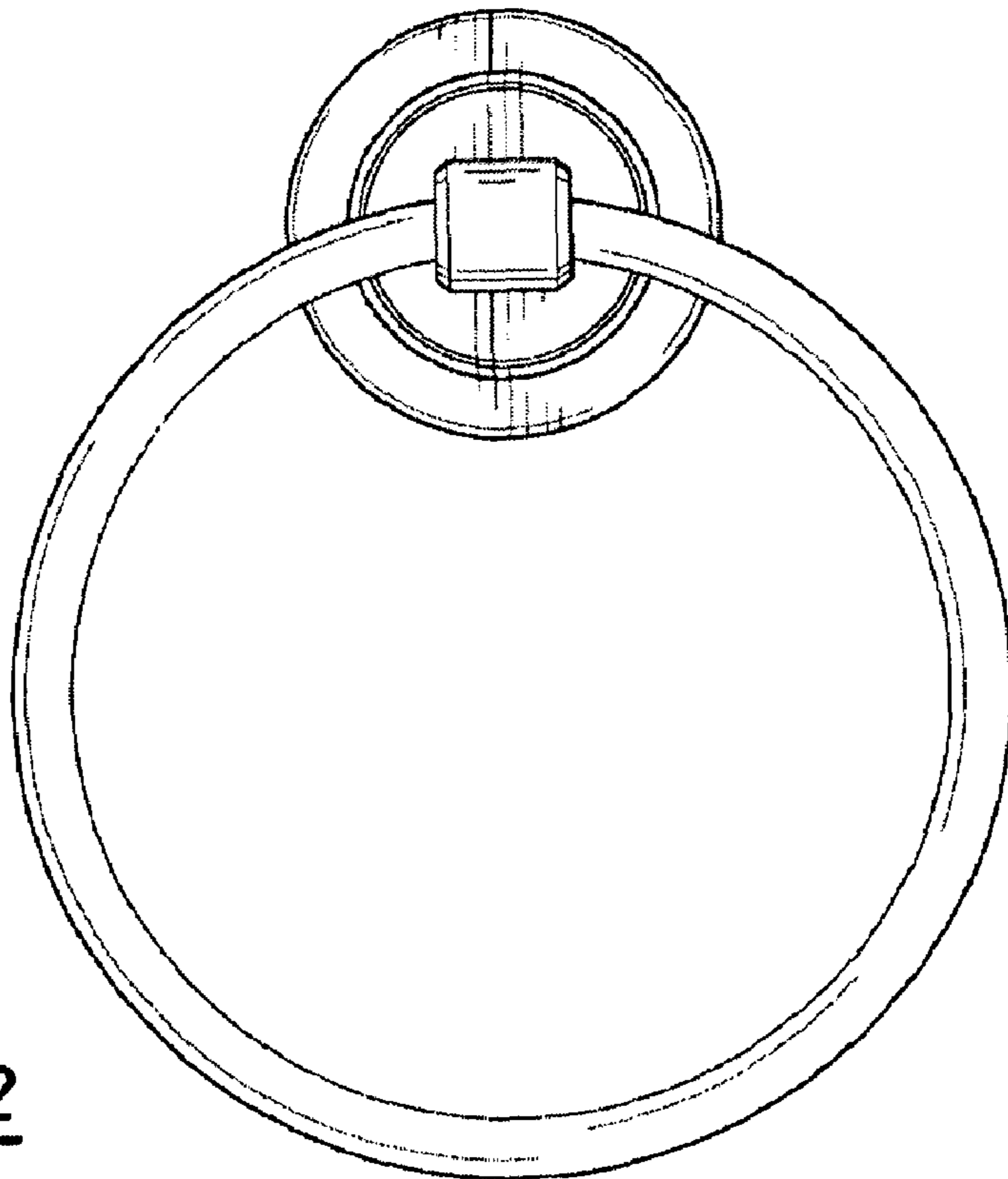


Fig-2

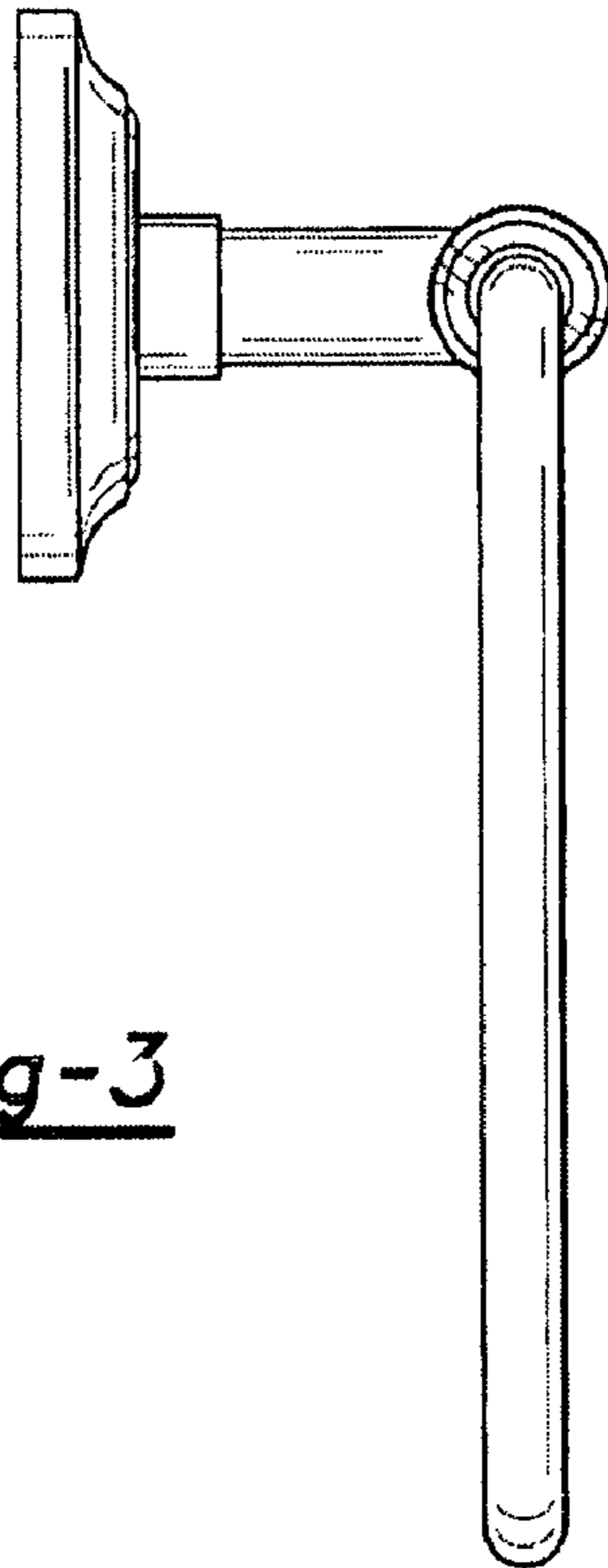


Fig-3

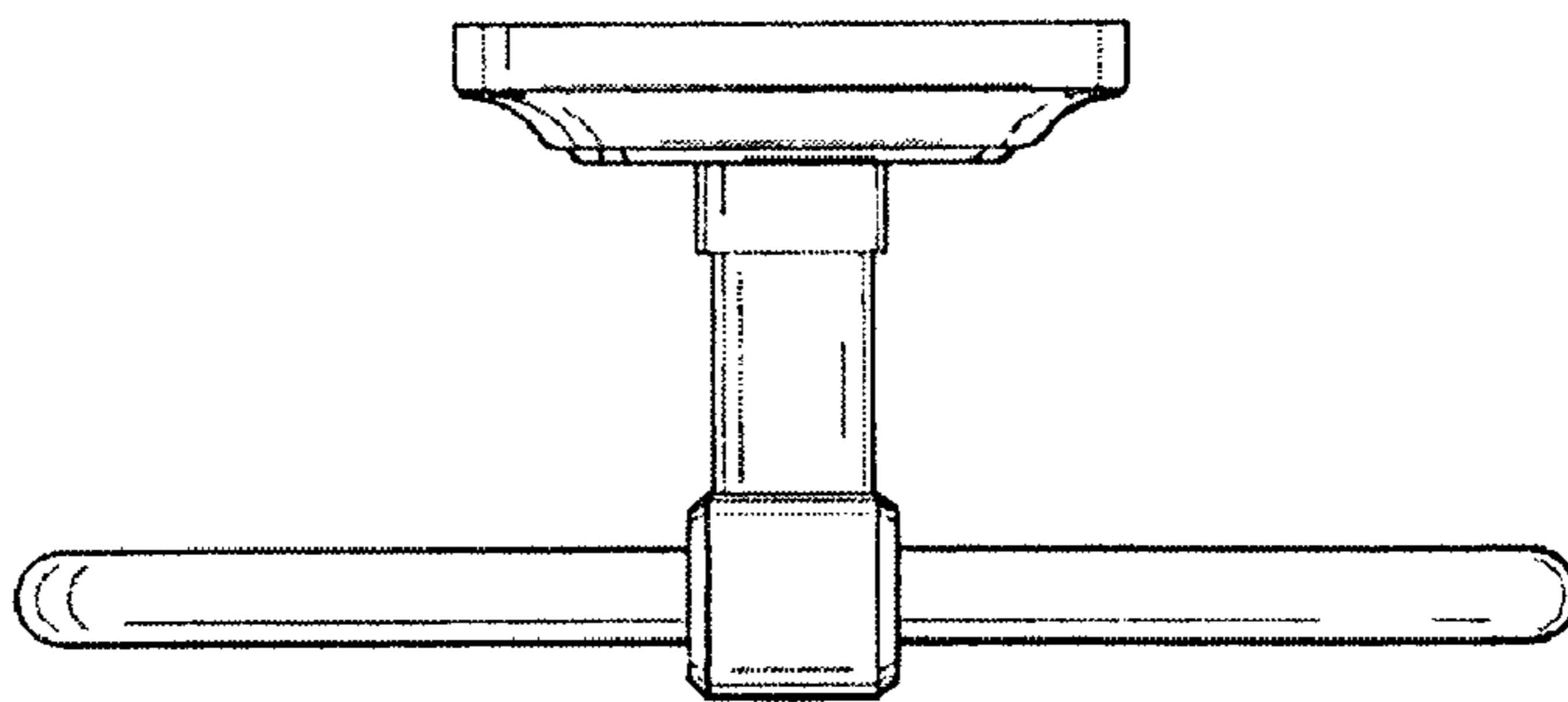


Fig-4

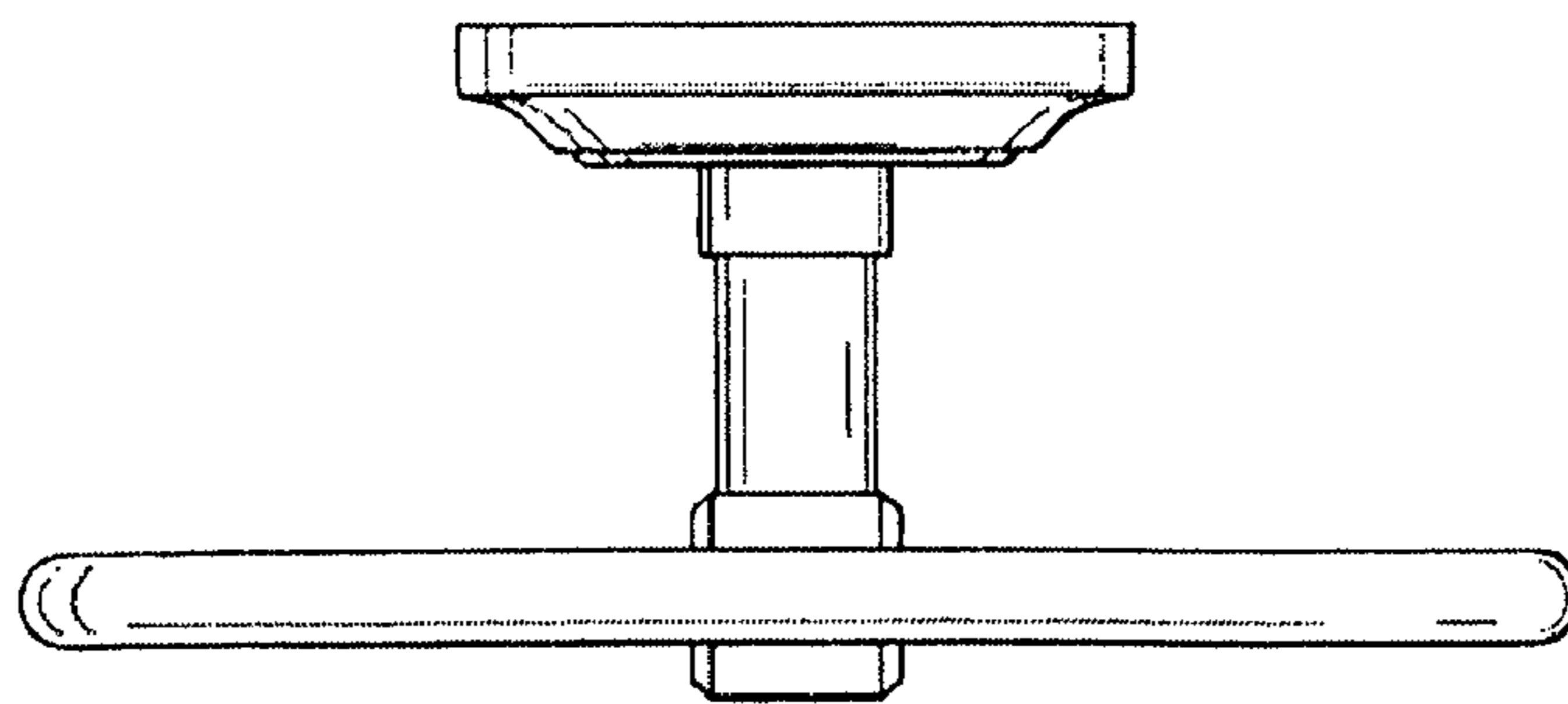


Fig-5