



US00D600954S

(12) **United States Design Patent**  
**Kumazawa**

(10) **Patent No.:** **US D600,954 S**

(45) **Date of Patent:** **\*\* Sep. 29, 2009**

(54) **CHAIR BACKREST**

D550,977 S \* 9/2007 Igarashi ..... D6/372  
D569,644 S \* 5/2008 Kumazawa ..... D6/372

(75) Inventor: **Taku Kumazawa**, Aichi-ken (JP)

FOREIGN PATENT DOCUMENTS

(73) Assignee: **Aichi Co., Ltd.**, Aichi-ken (JP)

EP 0006060009-0010 S 11/2006

(\*\*) Term: **14 Years**

OTHER PUBLICATIONS

(21) Appl. No.: **29/336,795**

U.S. Appl. No. 29/336,789.  
U.S. Appl. No. 29/336,791.  
U.S. Appl. No. 29/336,793.

(22) Filed: **May 8, 2009**

\* cited by examiner

(30) **Foreign Application Priority Data**

Mar. 9, 2009 (JP) ..... 2009-005162

*Primary Examiner*—Mimosa De

(51) **LOC (9) Cl.** ..... **06-01**

(52) **U.S. Cl.** ..... **D6/502; D6/373**

(58) **Field of Classification Search** ..... D6/334–336,  
D6/369, 371, 372, 373, 374, 375, 376, 379,  
D6/380, 500–502; 297/239, 445.1, 447.1,  
297/447.3, 447.4, 448.1, 448.2, 451.7, 452.18  
See application file for complete search history.

(74) *Attorney, Agent, or Firm*—Vincent K. Gustafson;  
Intellectual Property/Technology Law

(56) **References Cited**

(57) **CLAIM**

U.S. PATENT DOCUMENTS

1,960,022 A 5/1934 Melder  
D149,980 S 6/1948 Spence  
D149,982 S 6/1948 Sundberg  
3,404,916 A \* 10/1968 Rowland ..... 297/239  
3,724,897 A 4/1973 Faiks et al.  
3,999,802 A 12/1976 Powers  
D335,777 S 5/1993 Hess  
D367,185 S \* 2/1996 Olson ..... D6/373  
D367,195 S 2/1996 Olson  
D423,805 S 5/2000 Olson  
6,109,696 A \* 8/2000 Newhouse et al. .... 297/448.2  
D433,578 S 11/2000 Saul  
6,250,718 B1 \* 6/2001 Newhouse et al. .... 297/448.2  
D466,712 S 12/2002 Haney et al.  
D472,723 S 4/2003 Haney et al.  
6,957,860 B1 \* 10/2005 Leist et al. .... 297/239  
D516,830 S 3/2006 Leist et al.  
D528,812 S 9/2006 Giugiaro  
D543,370 S 5/2007 Han

The ornamental design for a chair backrest, as shown and described.

**DESCRIPTION**

FIG. 1 is a perspective view of a chair backrest showing my new design;

FIG. 2 is a front elevation view thereof;

FIG. 3 is a rear elevation view thereof;

FIG. 4 is a left side elevation view thereof;

FIG. 5 is a top plan view thereof;

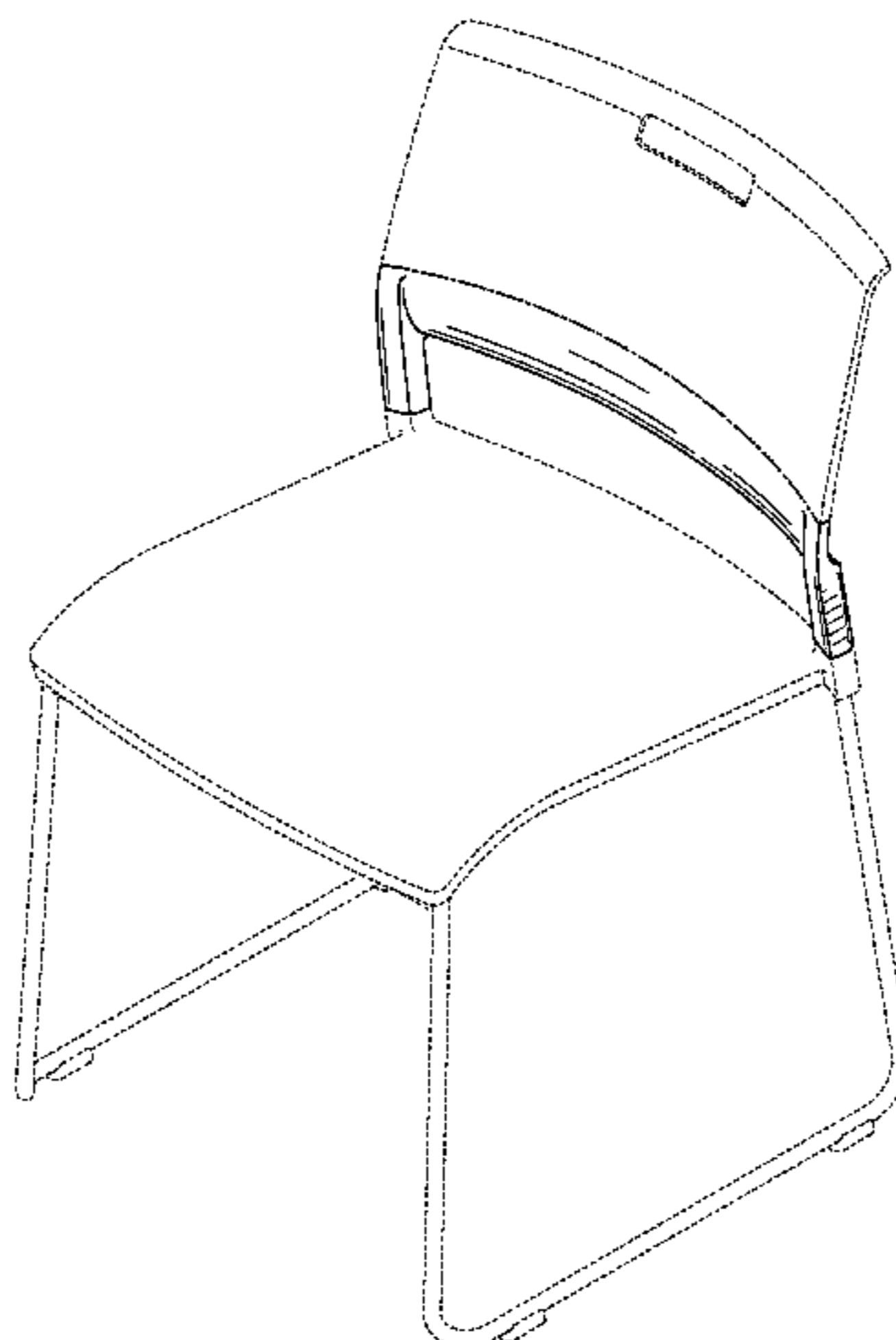
FIG. 6 is a bottom plan view of a chair as environmental structure including the chair backrest showing my new design; and,

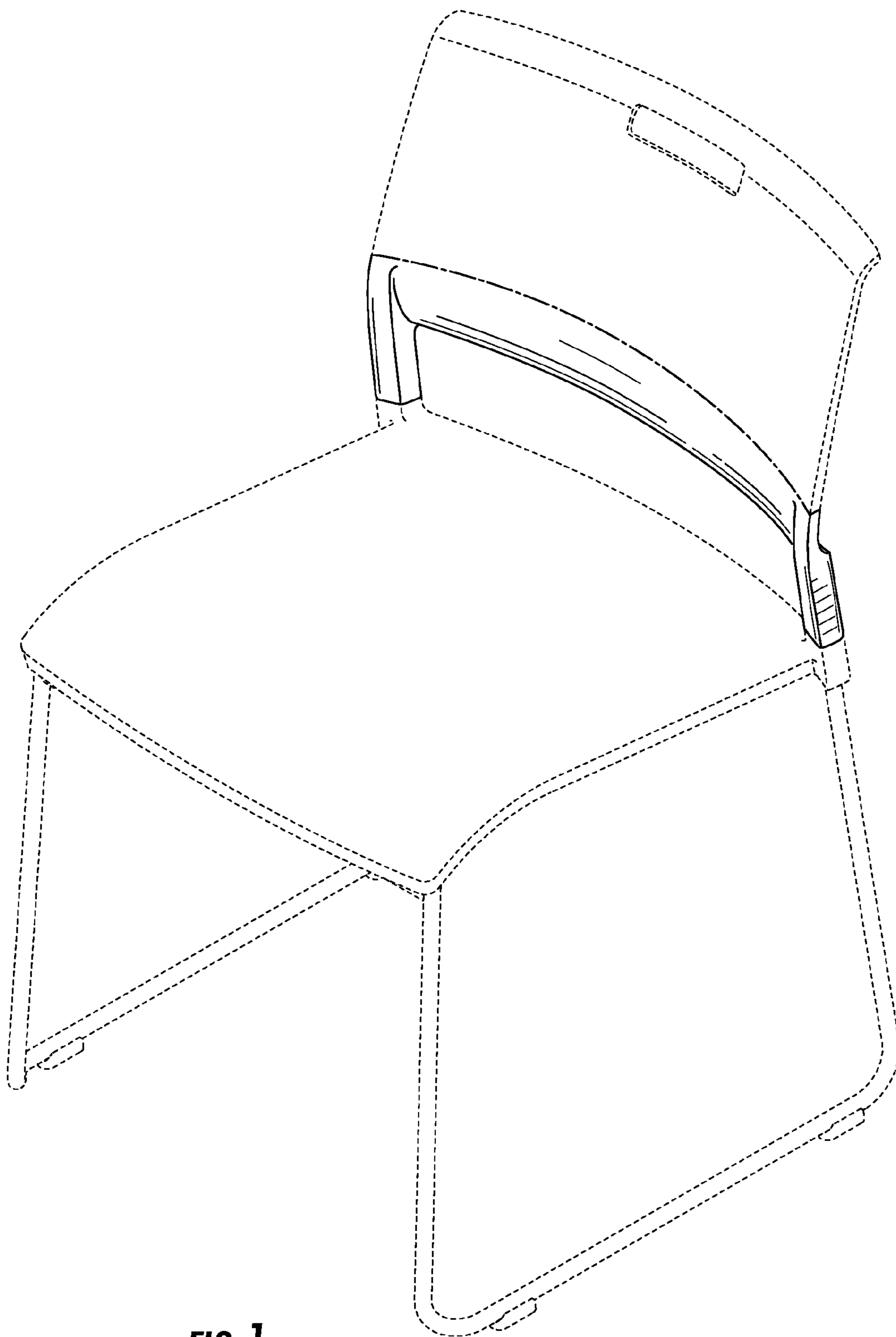
FIG. 7 is a cross-sectional view of the chair (as environmental structure) of FIG. 6 taken along the section lines 7—7 illustrated in FIG. 4, to provide a bottom view of the chair backrest showing my new design.

The right side elevation view of the chair backrest is a mirror image of the left side elevation view thereof.

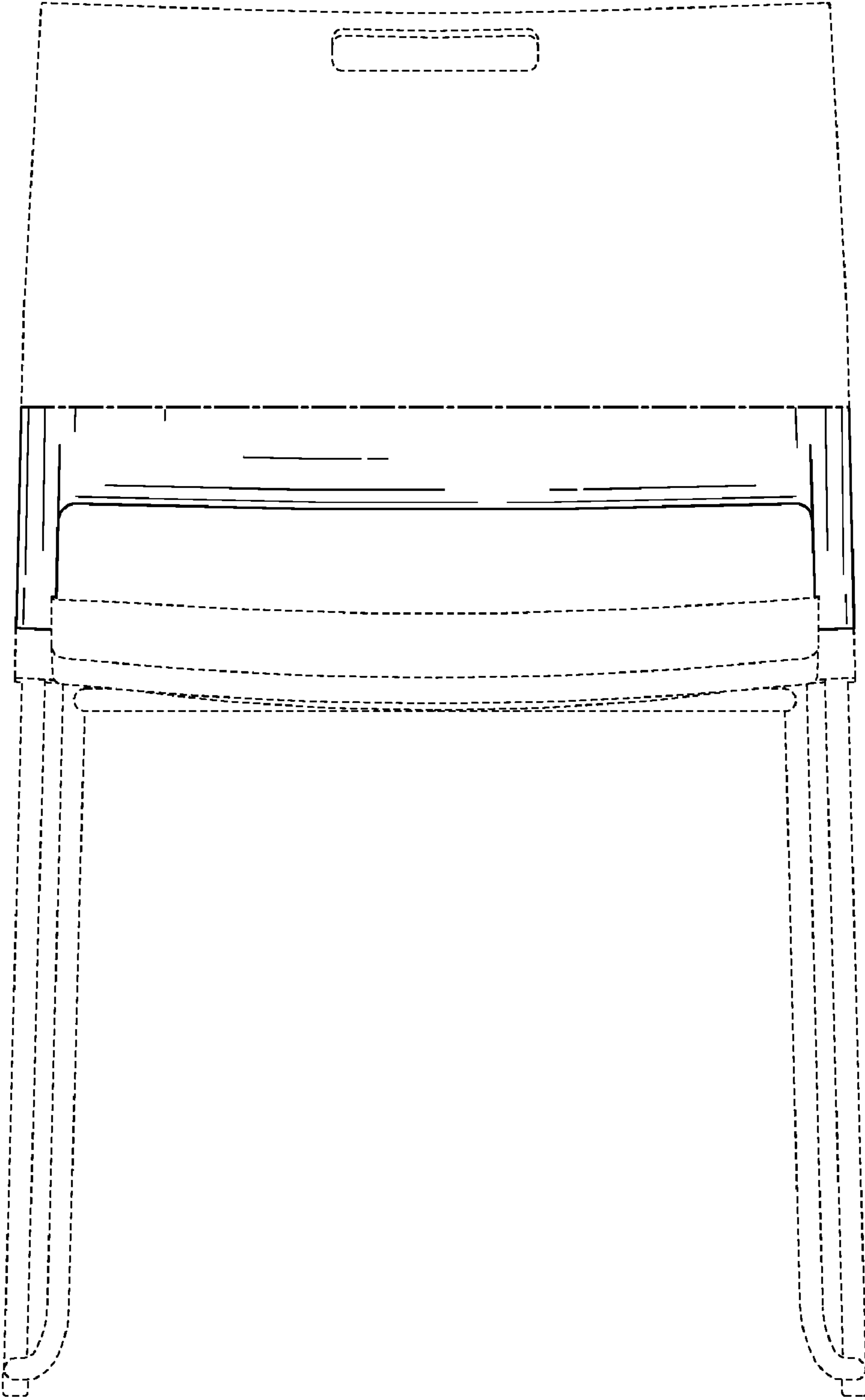
All structures shown in broken lines represent environmental structure and are not part of the design sought to be patented.

**1 Claim, 7 Drawing Sheets**

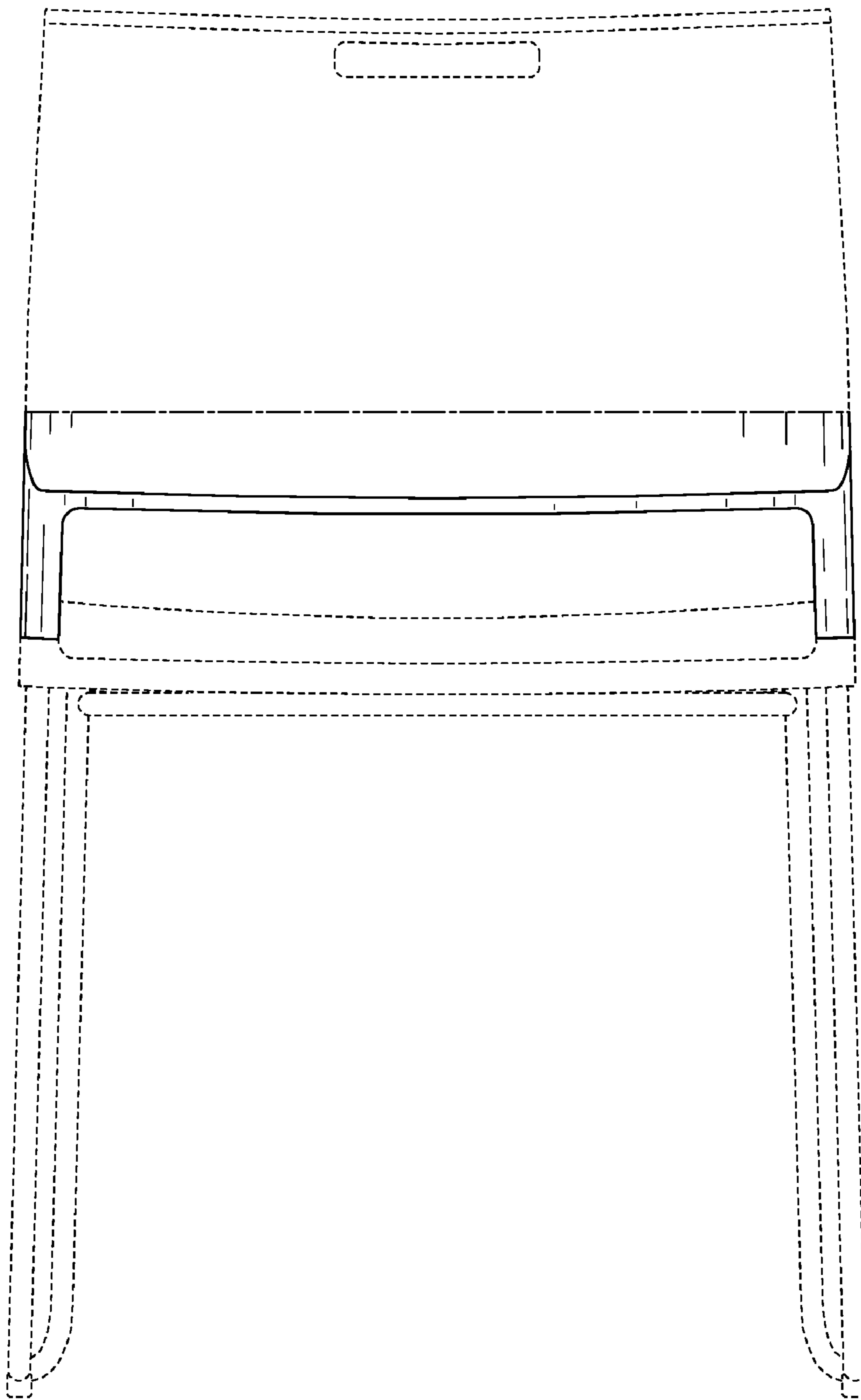




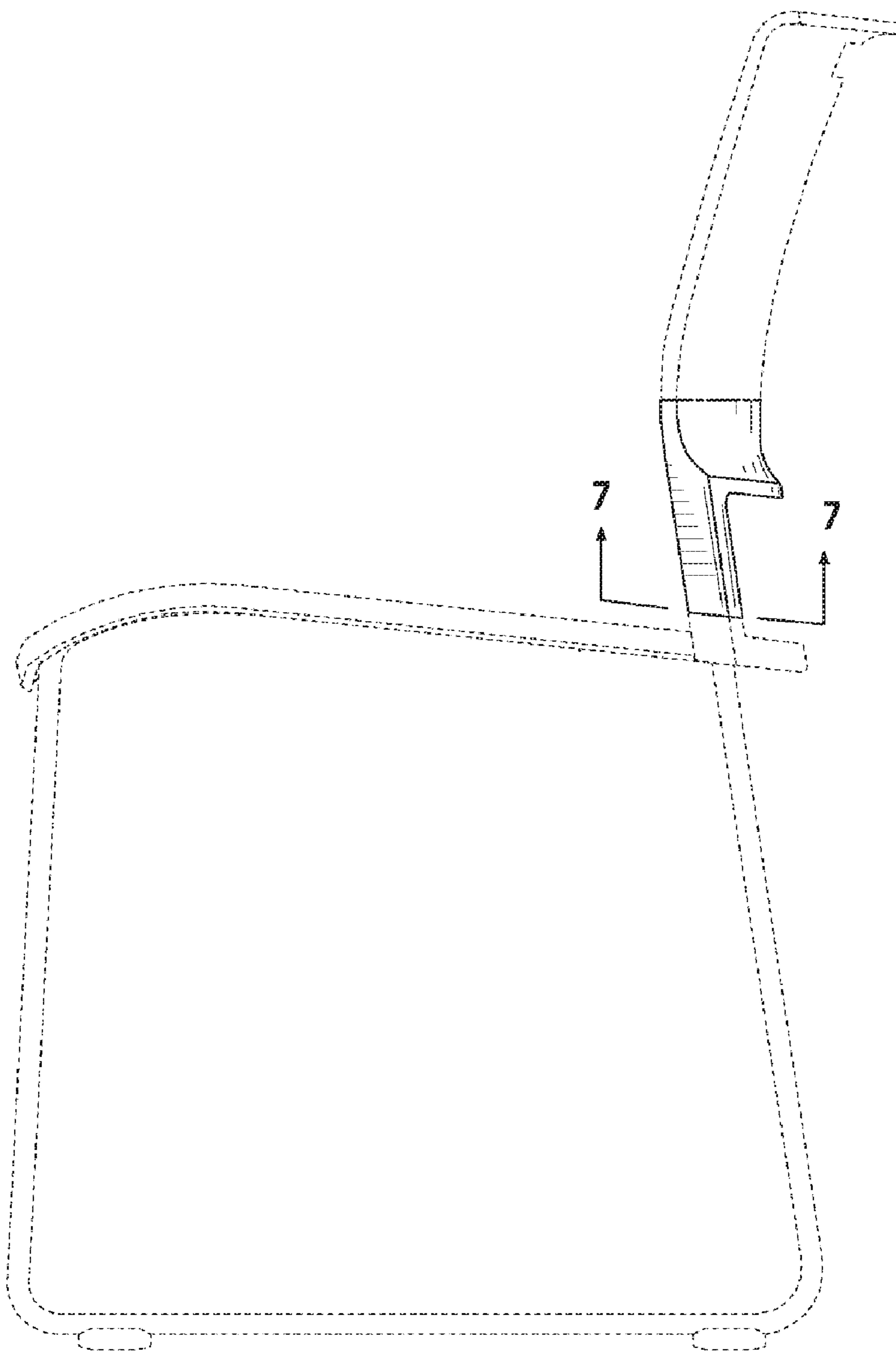
**FIG. 1**



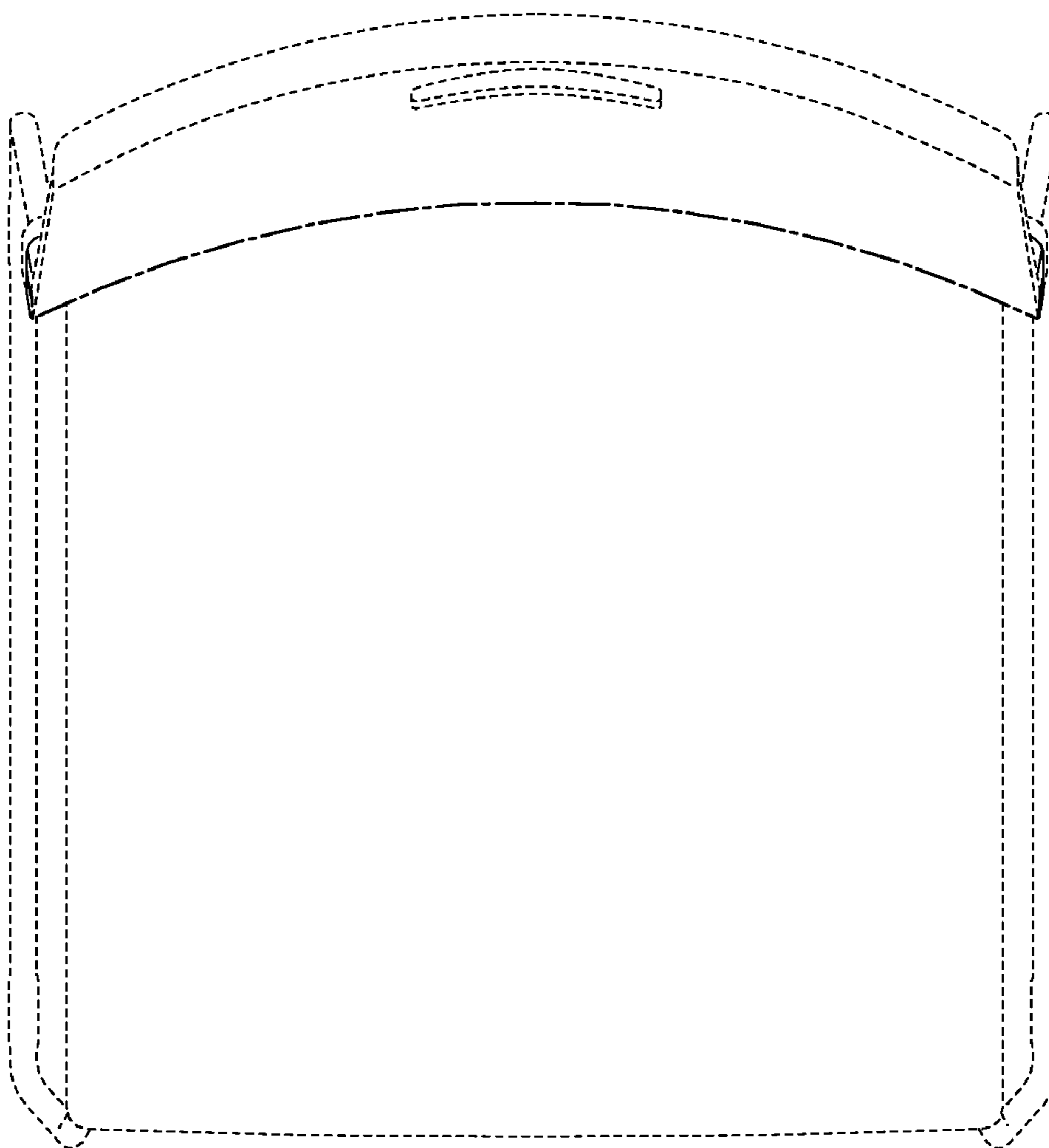
**FIG. 2**



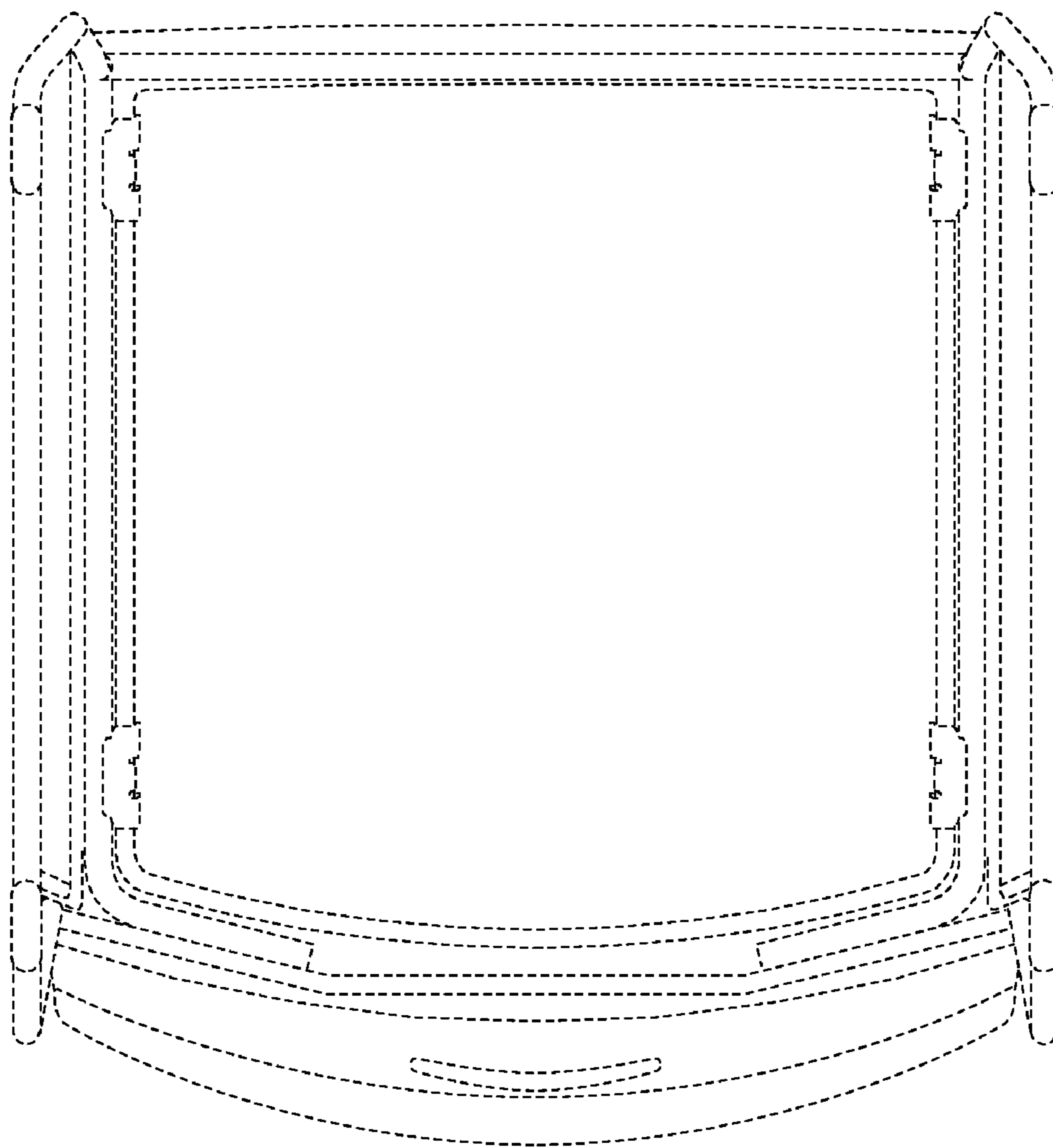
**FIG. 3**



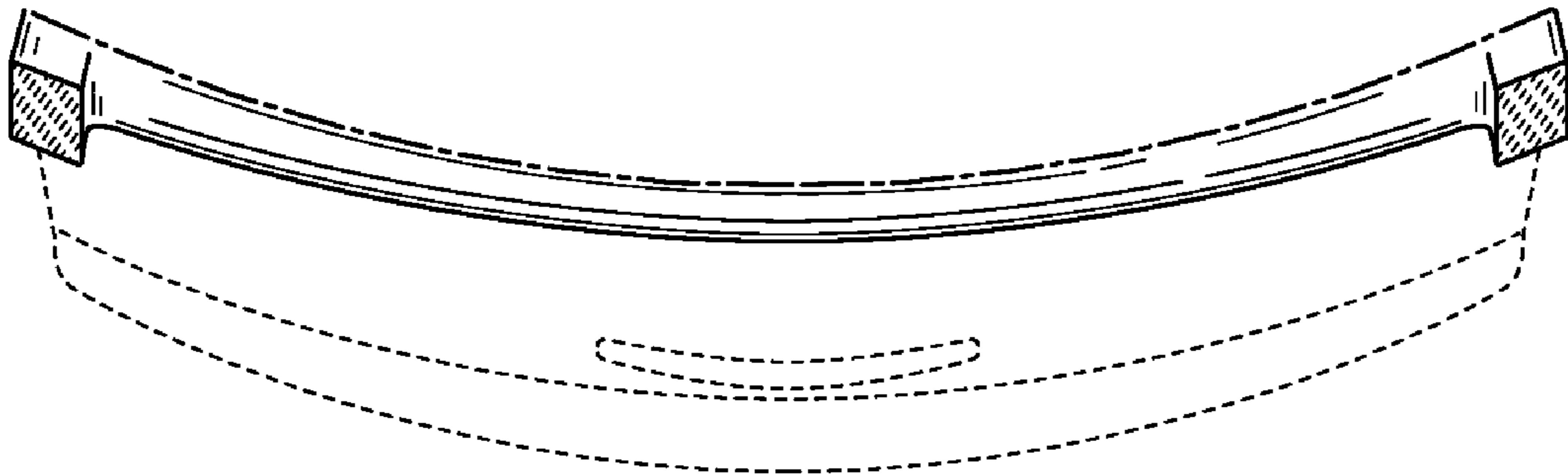
**FIG. 4**



**FIG. 5**



**FIG. 6**



**FIG. 7**