



US00D600953S

(12) **United States Design Patent**
Kumazawa

(10) **Patent No.:** **US D600,953 S**
(45) **Date of Patent:** **** Sep. 29, 2009**

(54) **CHAIR BACKREST**
(75) Inventor: **Taku Kumazawa**, Aichi-ken (JP)
(73) Assignee: **Aichi Co., Ltd.**, Aichi-ken (JP)
(**) Term: **14 Years**
(21) Appl. No.: **29/336,791**
(22) Filed: **May 8, 2009**

D516,830 S 3/2006 Leist et al.
D528,812 S * 9/2006 Giugiaro D6/372
D543,370 S * 5/2007 Han D6/373
D550,977 S 9/2007 Igarashi
D569,644 S * 5/2008 Kumazawa D6/372

FOREIGN PATENT DOCUMENTS

EP 000606009-0010 S 11/2006

OTHER PUBLICATIONS

U.S. Appl. No. 29/336,789.
U.S. Appl. No. 29/336,793.
U.S. Appl. No. 29/336,795.

* cited by examiner

Primary Examiner—Mimosa De
(74) *Attorney, Agent, or Firm*—Vincent K. Gustafson;
Intellectual Property/Technology Law

(30) **Foreign Application Priority Data**

Mar. 9, 2009 (JP) 2009-005159

(51) **LOC (9) Cl.** **06-01**
(52) **U.S. Cl.** **D6/502; D6/373**
(58) **Field of Classification Search** D6/334-336,
D6/369, 371, 372, 373, 374, 375, 376, 379,
D6/380, 500-502; 297/239, 445.1, 447.1,
297/447.3, 447.4, 448.1, 448.2, 451.7, 452.18
See application file for complete search history.

(57) **CLAIM**

The ornamental design for a chair backrest, as shown and described.

(56) **References Cited**

U.S. PATENT DOCUMENTS

1,960,022 A 5/1934 Melder
D149,980 S 6/1948 Spence
D149,982 S 6/1948 Sundberg
3,404,916 A * 10/1968 Rowland 297/239
3,724,897 A * 4/1973 Faiks et al. 297/447.3
3,999,802 A 12/1976 Powers
D335,777 S 5/1993 Hess
D367,185 S * 2/1996 Olson D6/373
D423,805 S * 5/2000 Olson D6/373
6,109,696 A * 8/2000 Newhouse et al. 297/448.2
D433,758 S 11/2000 Saul
6,250,718 B1 * 6/2001 Newhouse et al. 297/448.2
D466,712 S * 12/2002 Haney et al. D6/373
D472,723 S 4/2003 Haney et al.
6,957,860 B1 * 10/2005 Leist et al. 297/239

DESCRIPTION

FIG. 1 is a perspective view of a chair backrest showing my new design;

FIG. 2 is a front elevation view thereof;

FIG. 3 is a rear elevation view thereof;

FIG. 4 is a left side elevation view thereof;

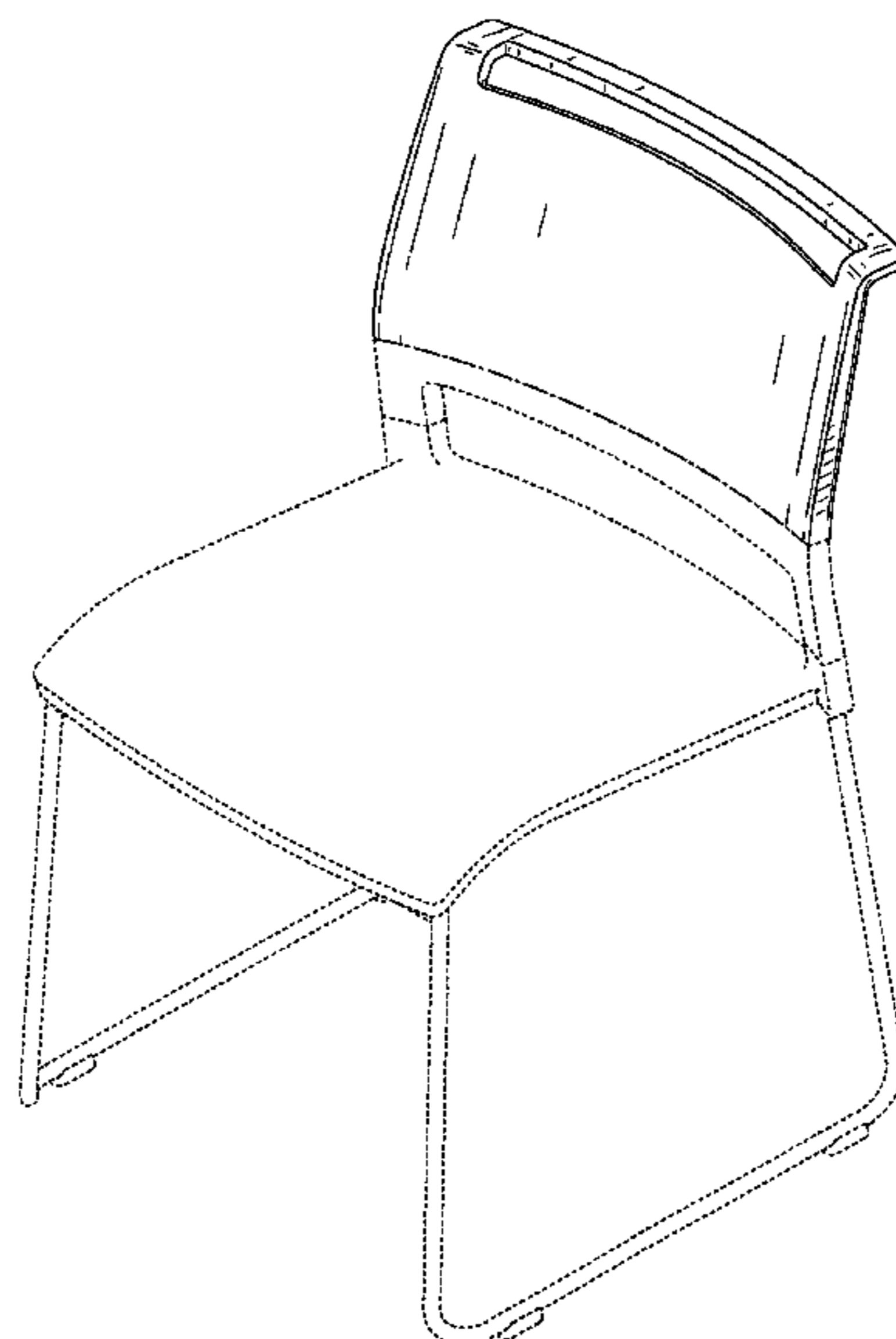
FIG. 5 is a top plan view thereof; and,

FIG. 6 is a bottom plan view thereof.

The right side elevation view of the chair backrest is a mirror image of the left side elevation view thereof.

All structures shown in broken lines represent environmental structure and are not part of the design sought to be patented.

1 Claim, 6 Drawing Sheets



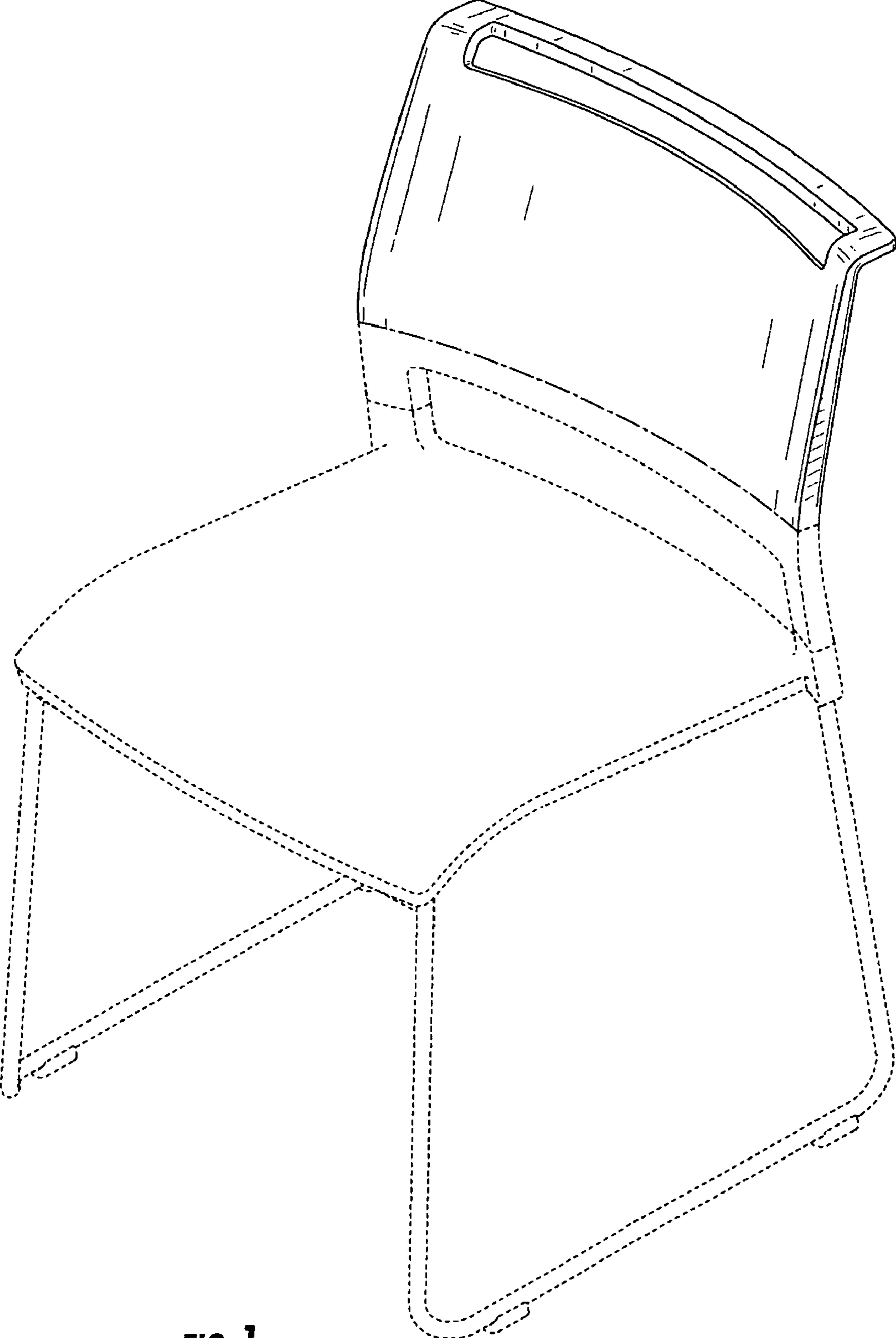


FIG. 1

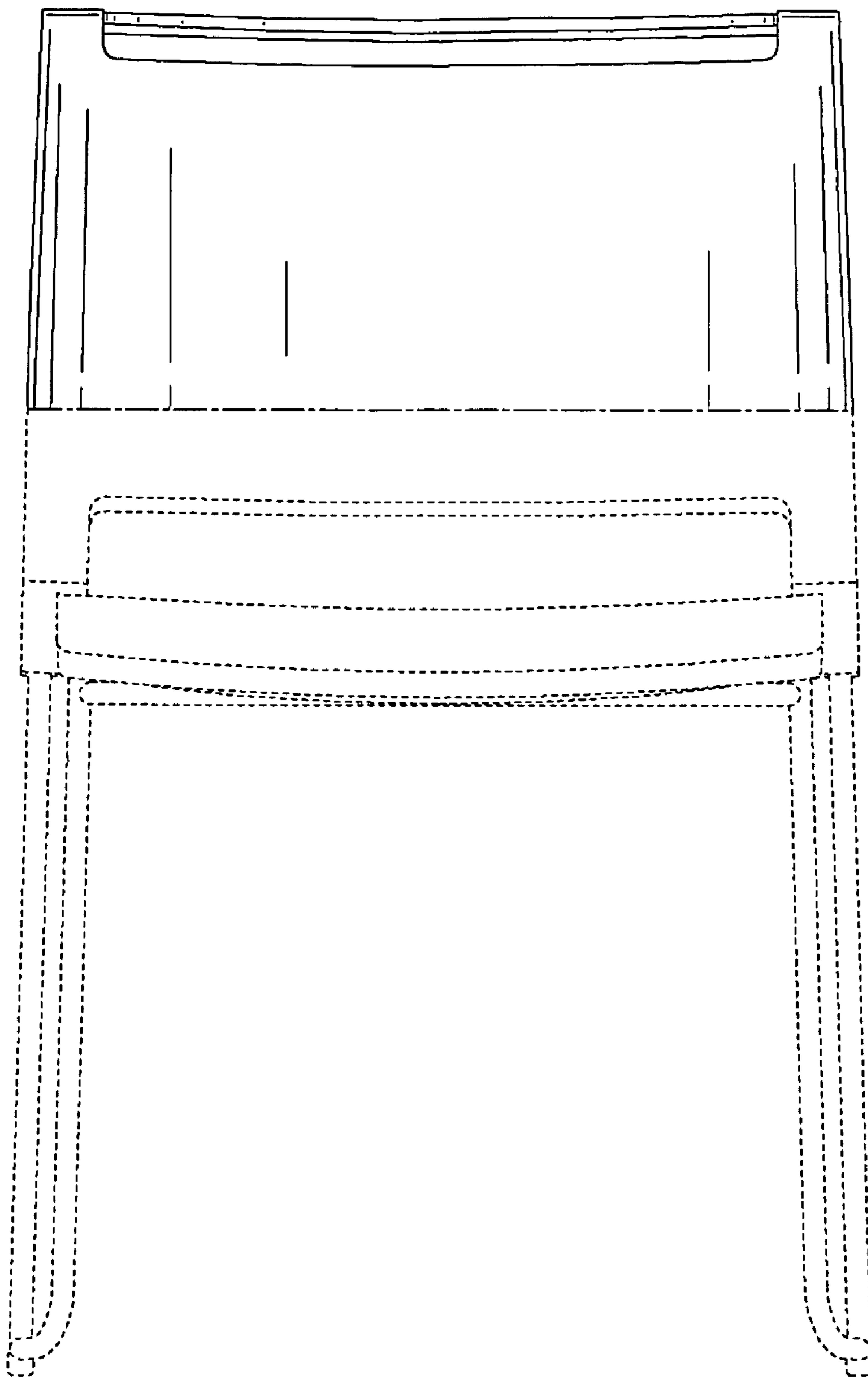


FIG. 2

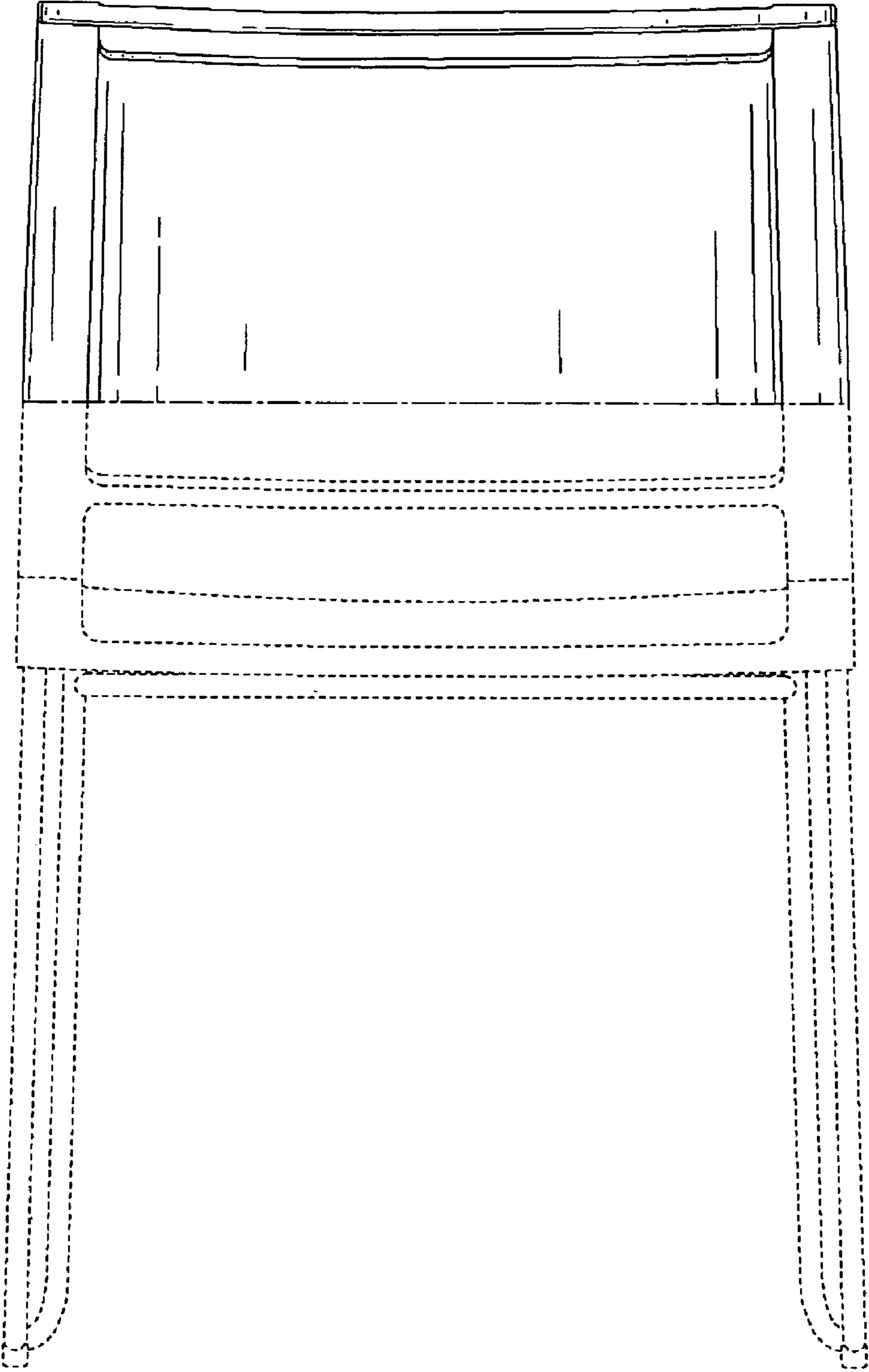


FIG. 3

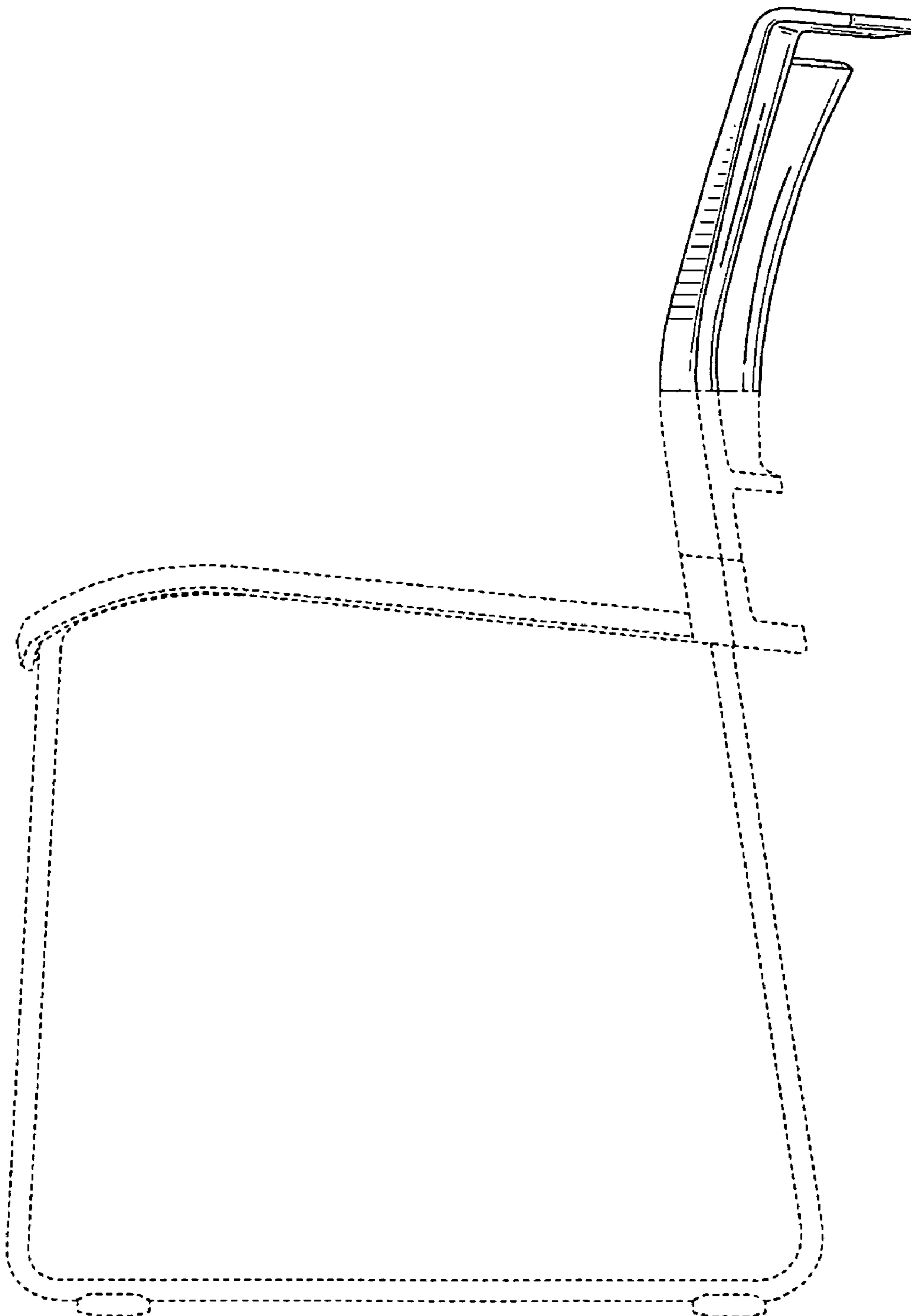


FIG. 4

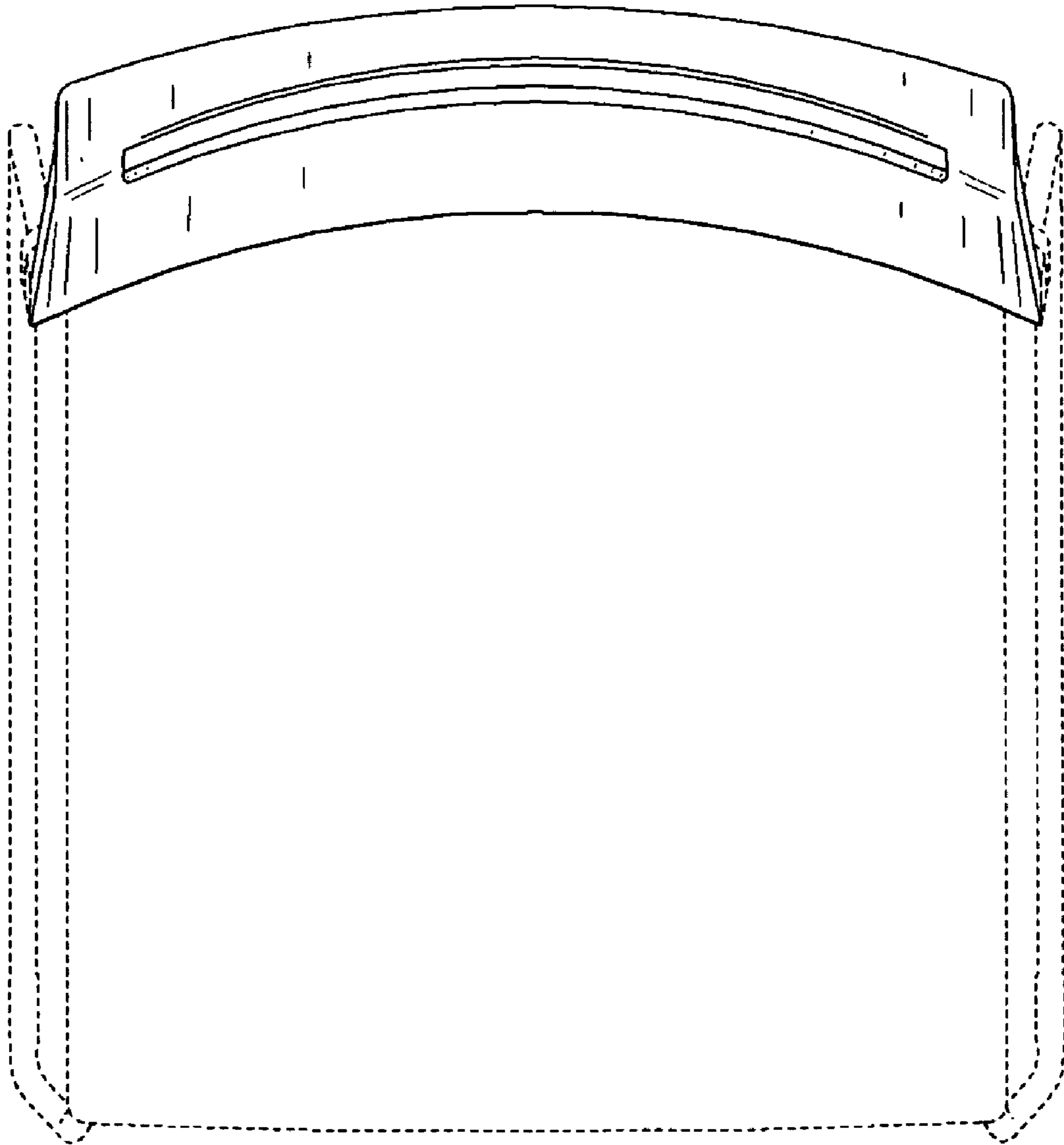


FIG. 5

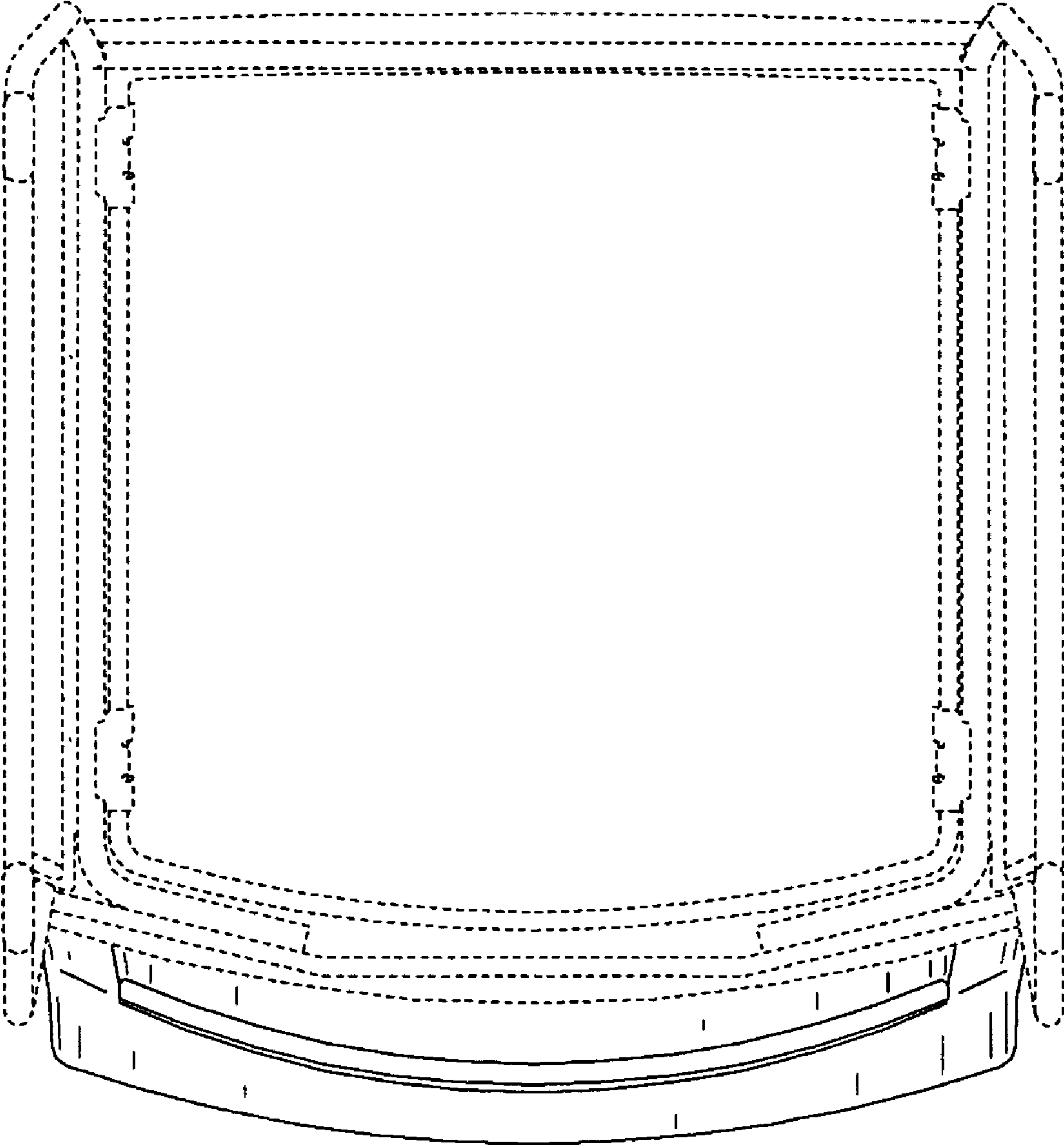


FIG. 6