



US00D600949S

(12) **United States Design Patent**  
**Overthun et al.**

(10) **Patent No.:** **US D600,949 S**  
(45) **Date of Patent:** **\*\* Sep. 29, 2009**

(54) **SEATING UNIT**

(75) Inventors: **Thomas Overthun**, San Francisco, CA (US); **Lukas Scherrer**, San Francisco, CA (US); **James Ludwig**, East Grand Rapids, MI (US); **Bruce Smith**, Grand Rapids, MI (US)

(73) Assignee: **Steelcase Inc.**, Grand Rapids, MI (US)

(\*\*) Term: **14 Years**

(21) Appl. No.: **29/318,690**

(22) Filed: **May 26, 2008**

(51) **LOC (9) Cl.** ..... **06-01**

(52) **U.S. Cl.** ..... **D6/500; D6/366**

(58) **Field of Classification Search** ..... D6/334-335, D6/364, 365, 366, 367, 369, 370, 374, 375, D6/379, 380, 498, 500-502; 297/411.4, 297/411.41, 445.1, 446.1, 452.12, 452.14, 297/452.15, 452.19, 452.29, 452.32

See application file for complete search history.

(56) **References Cited**

**U.S. PATENT DOCUMENTS**

119,732 A	10/1871	Aldrich et al.
398,179 A	2/1889	Parry et al.
538,708 A	5/1895	Smith
691,532 A	1/1902	Clarke
2,016,953 A	10/1935	Arnold

2,182,485 A	12/1939	Murdock
2,365,334 A	12/1944	De Vries
2,530,924 A	11/1950	Turner

(Continued)

**FOREIGN PATENT DOCUMENTS**

WO WO 2006/094258 A2 9/2006

*Primary Examiner*—Mimosa De

(74) *Attorney, Agent, or Firm*—McDermott Will & Emery LLP

(57) **CLAIM**

We claim the ornamental design for a seating unit, as shown and described.

**DESCRIPTION**

FIG. 1 is a front perspective view of a seating unit according to the new design;

FIG. 2 is a rear perspective view of a seating unit shown in FIG. 1;

FIG. 3 is a front view of the seating unit shown in FIG. 1;

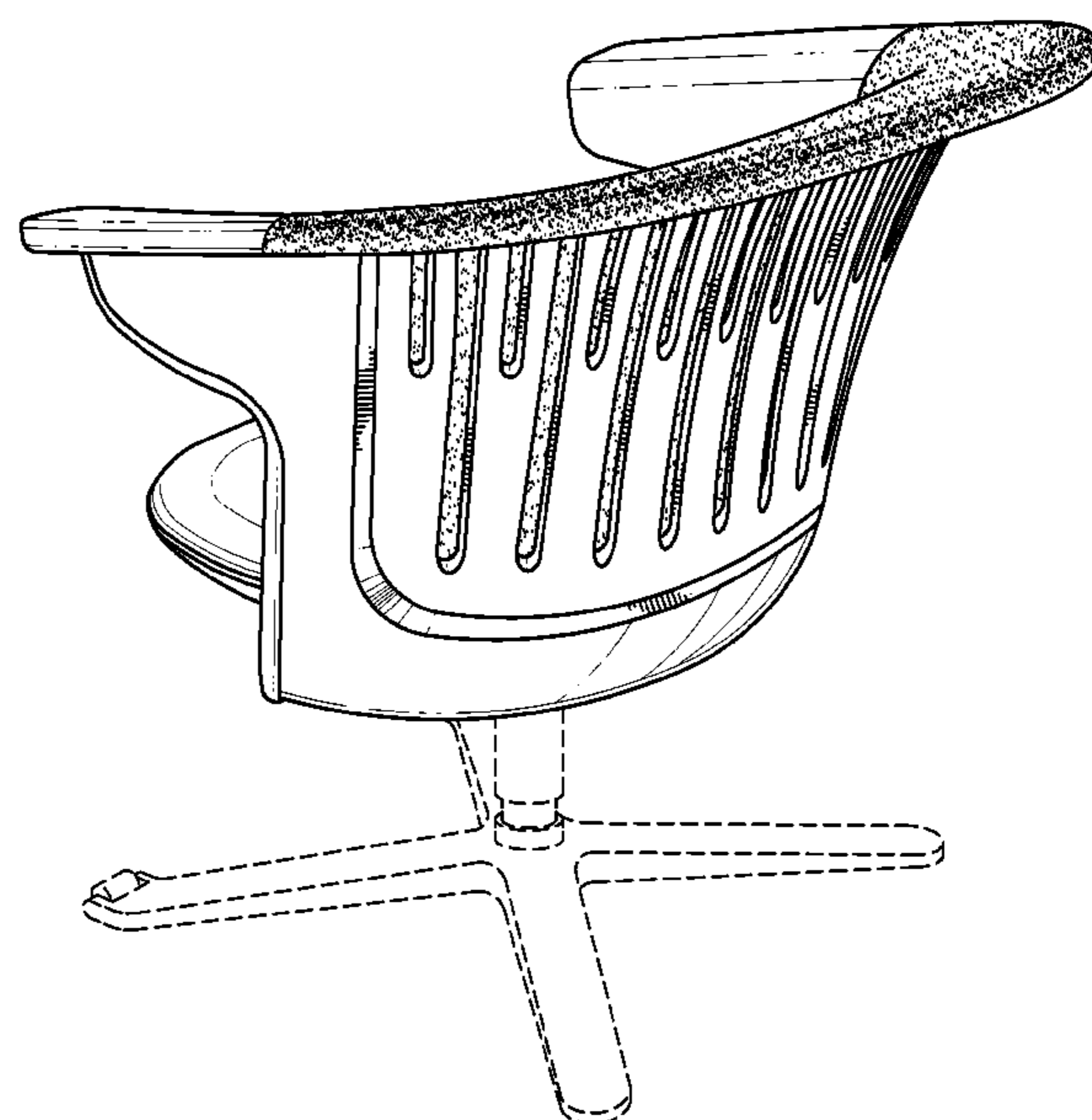
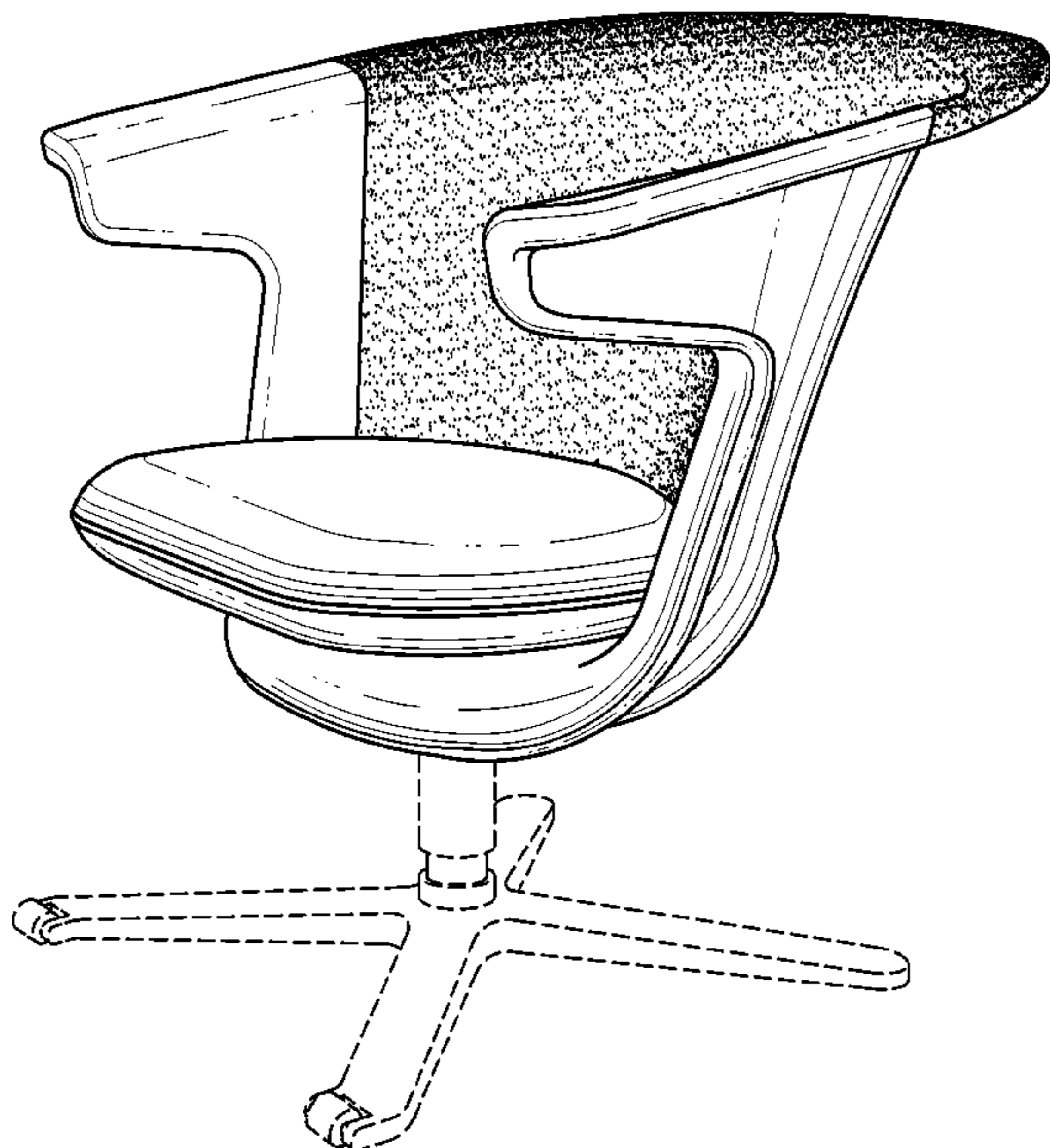
FIG. 4 is a right side view of the seating unit shown in FIG. 1, the opposed left side view being a mirror image thereof

FIG. 5 is a rear view of the seating unit shown in FIG. 1; and,

FIG. 6 is a top view of the seating unit shown in FIG. 1.

In the drawings, features in broken lines form no part of the claimed design.

**1 Claim, 6 Drawing Sheets**

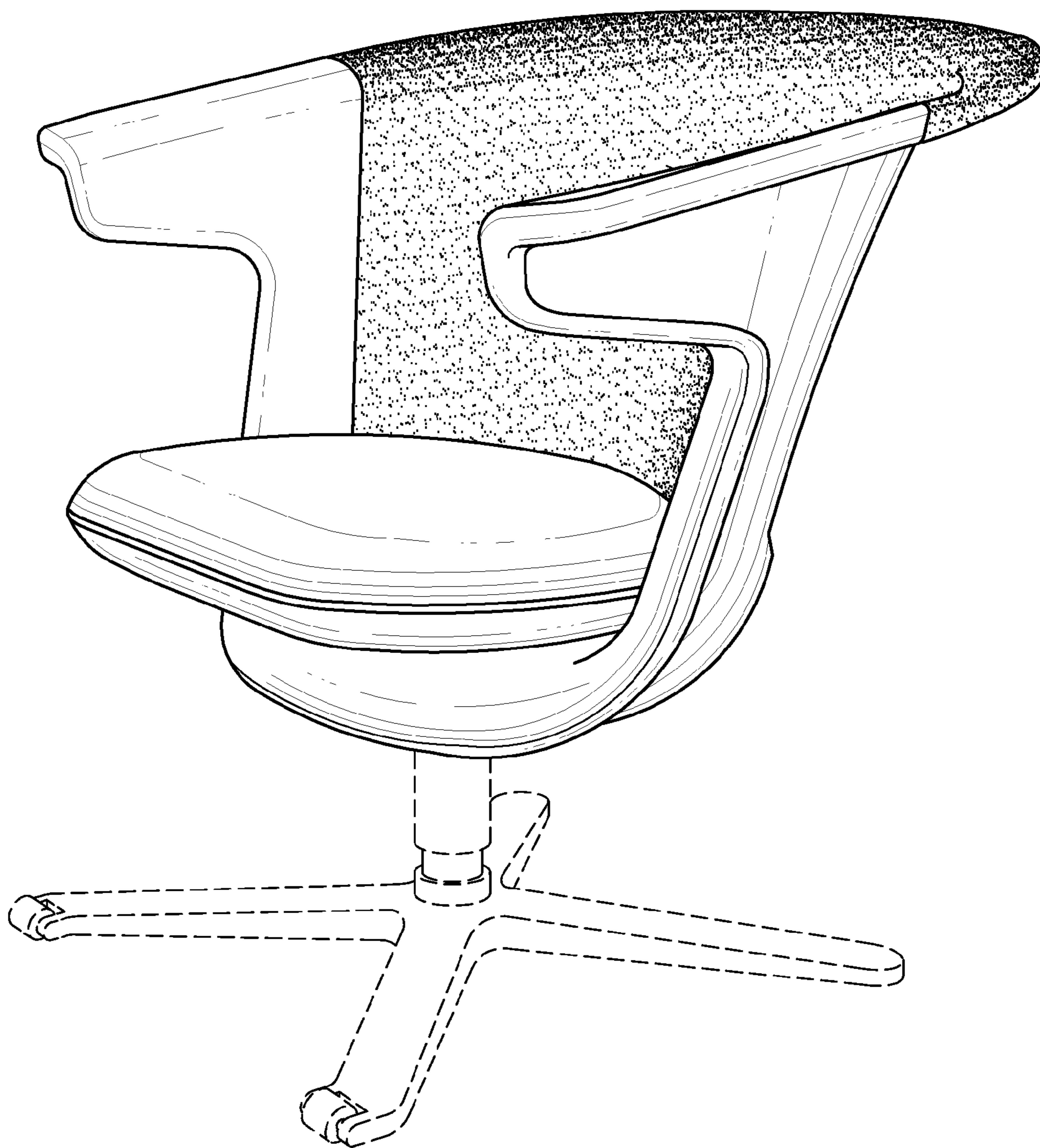


# US D600,949 S

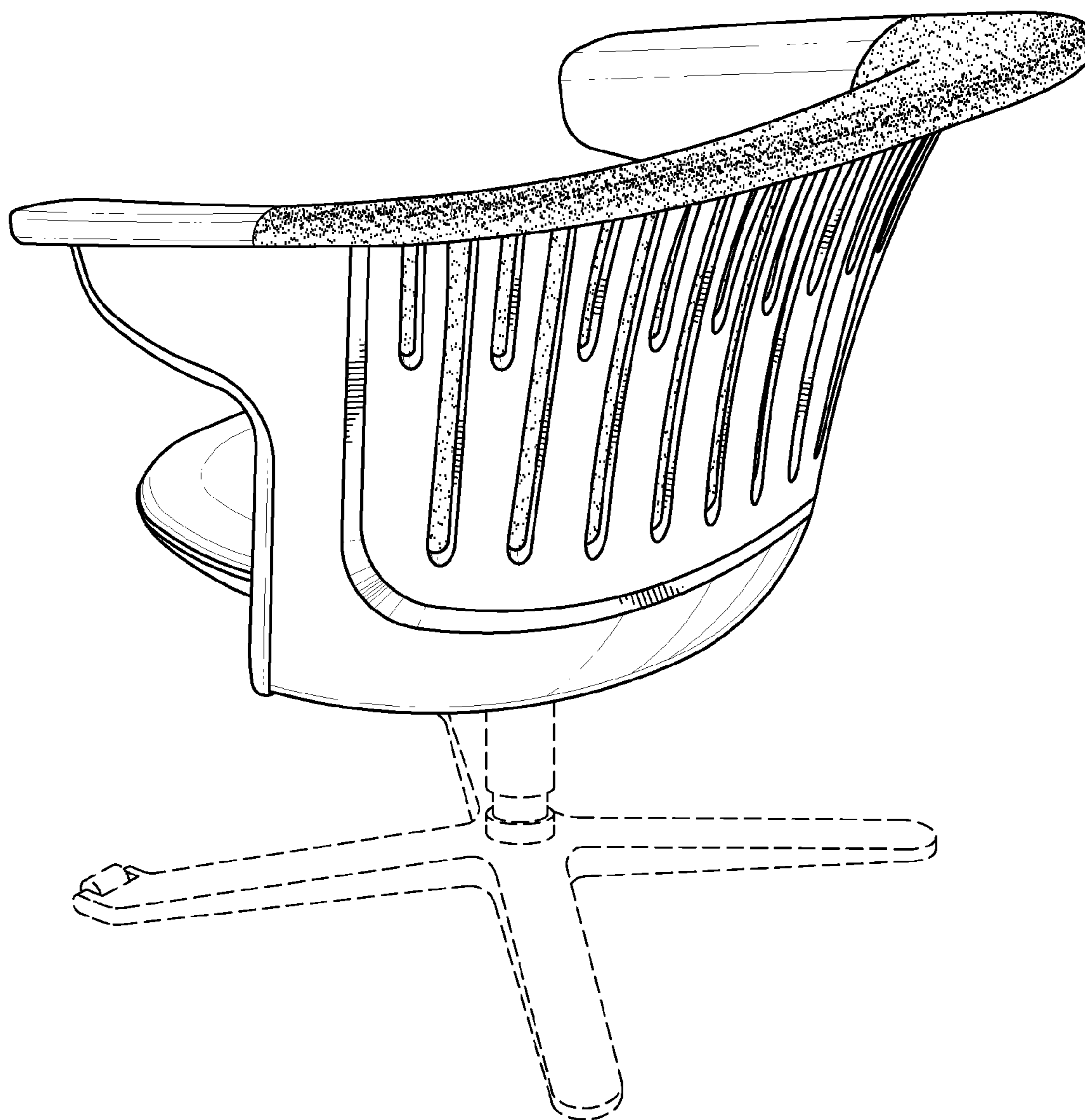
Page 2

U.S. PATENT DOCUMENTS					
D164,204 S	8/1951	Smith	5,664,835 A	9/1997	Desanta
2,648,372 A	8/1953	Smith	D384,511 S	10/1997	Gresens
2,768,674 A	10/1956	Phenix	5,762,403 A	6/1998	Robnson
2,798,538 A	7/1957	Dreifke	5,775,774 A	7/1998	Okano
2,843,195 A	7/1958	Barvaeus	5,794,608 A	8/1998	Von Berg
2,872,252 A	2/1959	Konkle	5,845,969 A	12/1998	Grimaldi et al.
2,893,476 A	7/1959	Liljengren	D413,452 S	9/1999	Rhienen
D194,740 S	3/1963	Parker	D420,824 S	2/2000	Lin
D196,429 S *	10/1963	Johnson ..... D6/366	6,053,574 A	4/2000	Opsvik
D197,512 S	2/1964	Poisson	6,059,368 A	5/2000	Stumpf et al.
3,135,552 A	6/1964	Lockshin	6,139,110 A	10/2000	Jeng
3,135,553 A	6/1964	Lockshin	D433,825 S	11/2000	Piretti
3,203,734 A	8/1965	Home	6,186,594 B1	2/2001	Valiquette
3,259,432 A	7/1966	Jackson	D442,378 S	5/2001	Arad
3,281,185 A *	10/1966	Albinson et al. .... 297/452.14	6,231,125 B1	5/2001	Maeda et al.
3,297,360 A	1/1967	Holmstrom	6,352,302 B1	3/2002	Piretti
3,740,792 A	6/1973	Werner	6,378,942 B1	4/2002	Chu
3,752,533 A	8/1973	Gilbert	6,378,944 B1	4/2002	Weisser
3,767,258 A	10/1973	Spence	6,386,634 B1	5/2002	Stumpf et al.
3,904,217 A	9/1975	Sargent et al.	6,439,665 B1	8/2002	Cvek
4,025,020 A	5/1977	Goff	D467,760 S	12/2002	Marshall
4,062,590 A	12/1977	Polsky et al.	6,511,562 B1	1/2003	Coffield
4,131,260 A	12/1978	Ambasz	D469,619 S	2/2003	Stewart
D252,248 S	7/1979	Huff	D470,669 S	2/2003	Stewart
4,212,495 A	7/1980	Gall	6,513,874 B1	2/2003	Sander
D266,803 S	11/1982	Fear	6,540,950 B1	4/2003	Coffield
4,356,988 A	11/1982	McIntosh	6,550,866 B1	4/2003	Su
4,371,142 A	2/1983	Bottemiller	6,585,320 B2	7/2003	Holbrook
4,424,604 A	1/1984	Dupuis	6,669,292 B2	12/2003	Koepke et al.
D275,050 S *	8/1984	Aronowitz et al. .... D6/366	D485,996 S *	2/2004	Stanton ..... D6/334
D275,158 S *	8/1984	Aronowitz et al. .... D6/366	6,688,687 B2	2/2004	Chu
D275,341 S *	9/1984	Dunbar et al. .... D6/366	6,688,689 B1	2/2004	Thorn
4,500,137 A *	2/1985	Morehouse ..... 297/411.41	6,688,690 B2	2/2004	Watson et al.
4,728,065 A	3/1988	Coote	6,715,839 B2	4/2004	Legal
4,796,950 A	1/1989	Mrotz, III	6,726,286 B2	4/2004	Stumpf et al.
4,871,208 A	10/1989	Hodgdon	6,755,467 B1	6/2004	Chu
4,890,886 A	1/1990	Opsvik	6,758,528 B2	7/2004	Kawashima
4,911,501 A	3/1990	Decker et al.	6,773,066 B2	8/2004	Caldwell
4,928,334 A	5/1990	Kita	6,827,401 B2	12/2004	Marshall
4,968,093 A	11/1990	Dal Monte	6,842,959 B2	1/2005	Coffield et al.
4,974,284 A	12/1990	Campbell	6,899,398 B2	5/2005	Coffield
5,015,034 A	5/1991	Kindig et al.	6,918,633 B2	7/2005	Forkel et al.
D318,588 S	7/1991	Koepke	6,942,300 B2	9/2005	Numa et al.
D319,354 S	8/1991	Wolcott	6,955,402 B2	10/2005	VanDeRiet et al.
5,039,164 A	8/1991	Gibbs	6,966,606 B2	11/2005	Coffield
5,040,847 A	8/1991	Nguyen	6,983,997 B2	1/2006	Wilkerson et al.
5,046,780 A	9/1991	Decker et al.	7,096,549 B2	8/2006	Coffield
5,121,963 A	6/1992	Kwasnik et al.	D527,554 S	9/2006	Jones
D330,292 S	10/1992	Nguyen	7,159,293 B2	1/2007	Coffield et al.
D332,530 S	1/1993	Nguyen	7,270,378 B2	9/2007	Wilkerson et al.
5,224,506 A	7/1993	Allen et al.	D554,382 S *	11/2007	Nobles et al. .... D6/366
D341,265 S	11/1993	Gehry	D568,617 S *	5/2008	Jehs et al. .... D6/366
5,267,777 A	12/1993	Valtri	D584,521 S *	1/2009	Massaud ..... D6/366
D344,191 S	2/1994	Gehry	D584,901 S *	1/2009	Massaud ..... D6/366
D345,656 S	4/1994	Theobald	D585,656 S *	2/2009	Massaud ..... D6/366
5,338,091 A	8/1994	Miller	2002/0195863 A1	12/2002	Su
5,366,273 A	11/1994	Bresch	2004/0262975 A1	12/2004	Su
D360,538 S	7/1995	Skalka	2006/0006715 A1	1/2006	Chadwick et al.
D363,844 S	11/1995	Maple et al.	2006/0175884 A1	8/2006	Jenkins
5,577,811 A	11/1996	Ogg	2007/0035169 A1	2/2007	Sawyer
5,586,803 A	12/1996	Overpeck	2007/0228799 A1	10/2007	Kinoshita et al.
5,649,740 A	7/1997	Hodgdon	2007/0241599 A1	10/2007	Hodgdon
5,662,383 A	9/1997	Hand	2007/0273190 A1	11/2007	Gehner

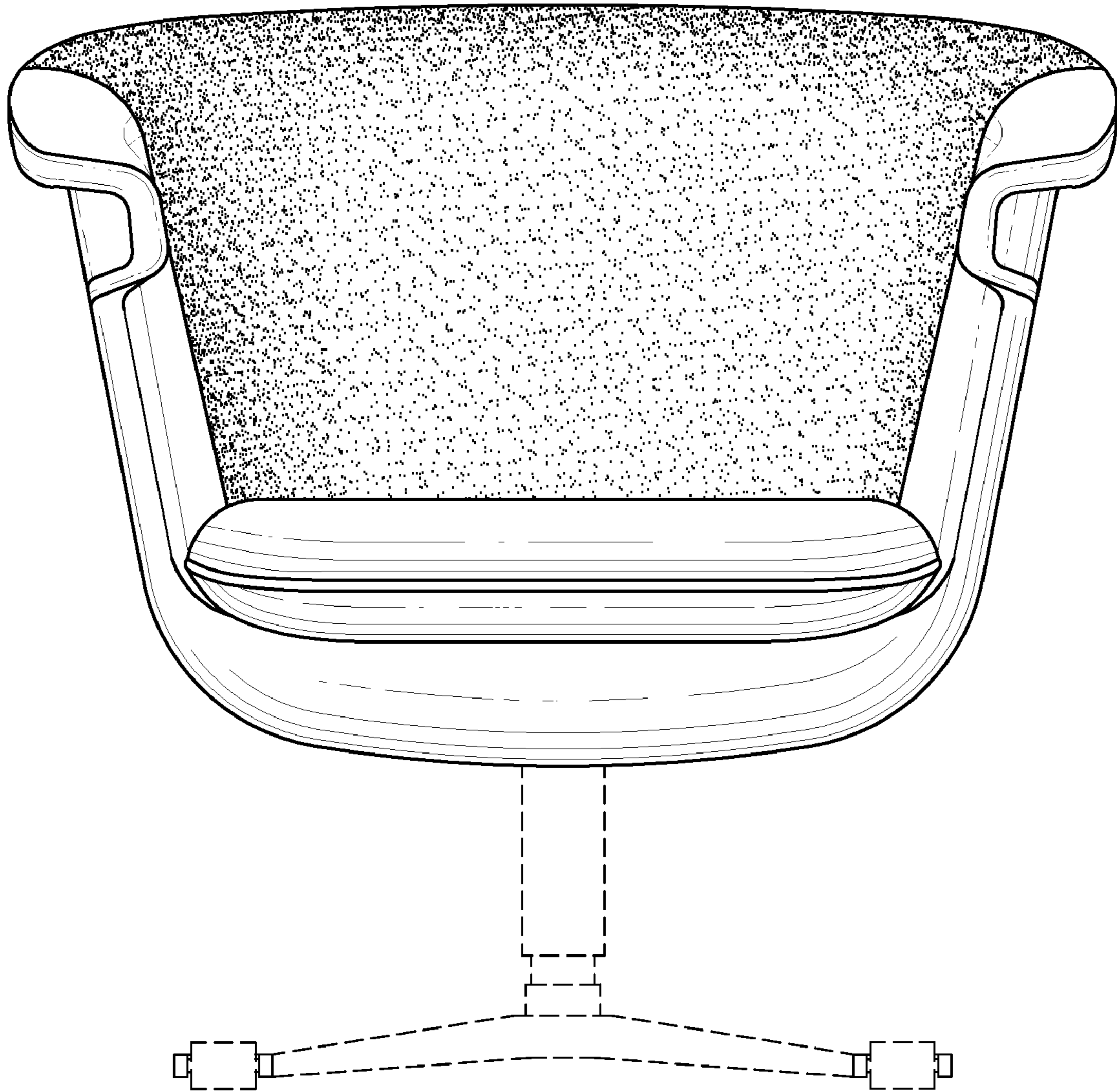
\* cited by examiner



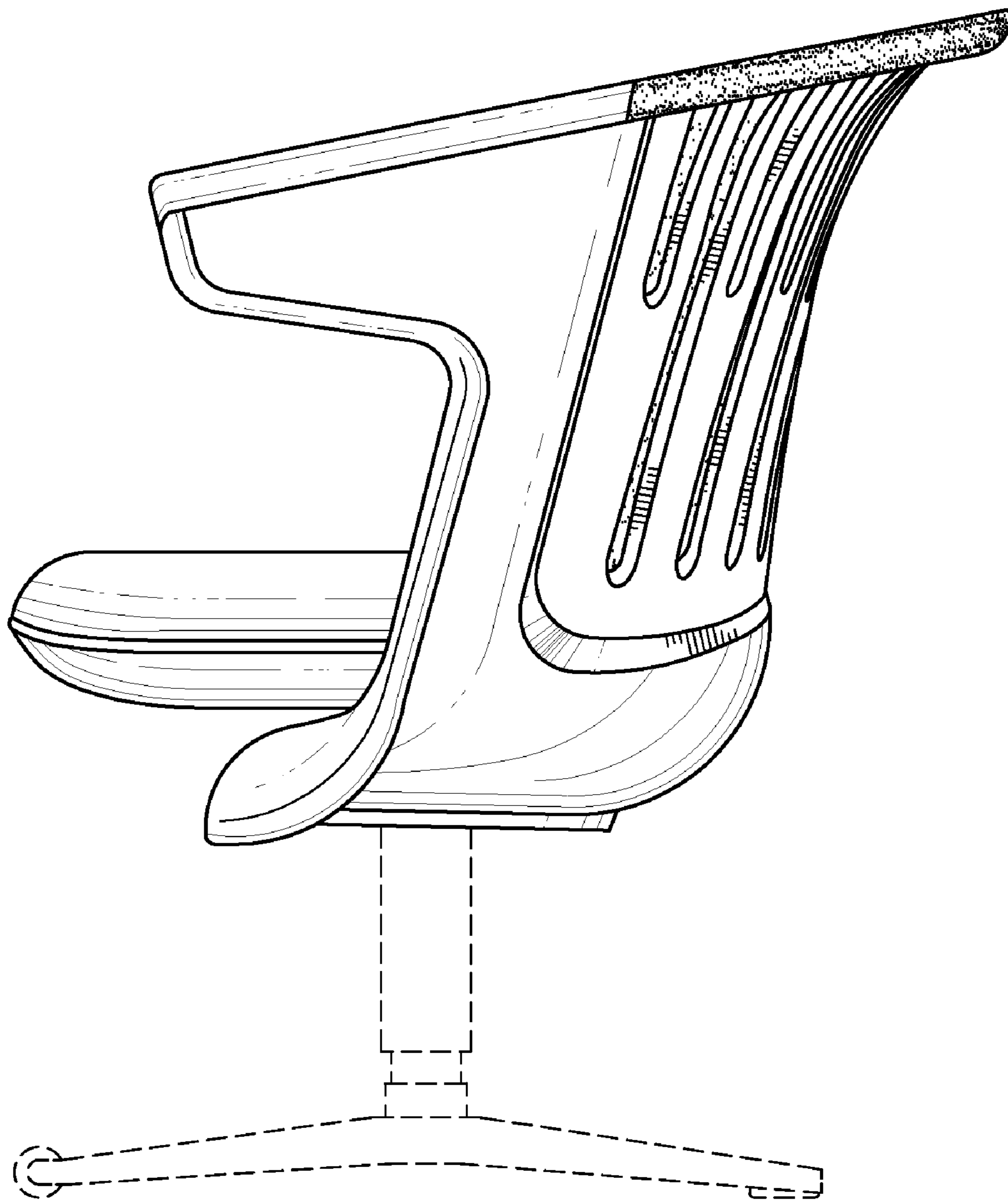
**FIG. 1**



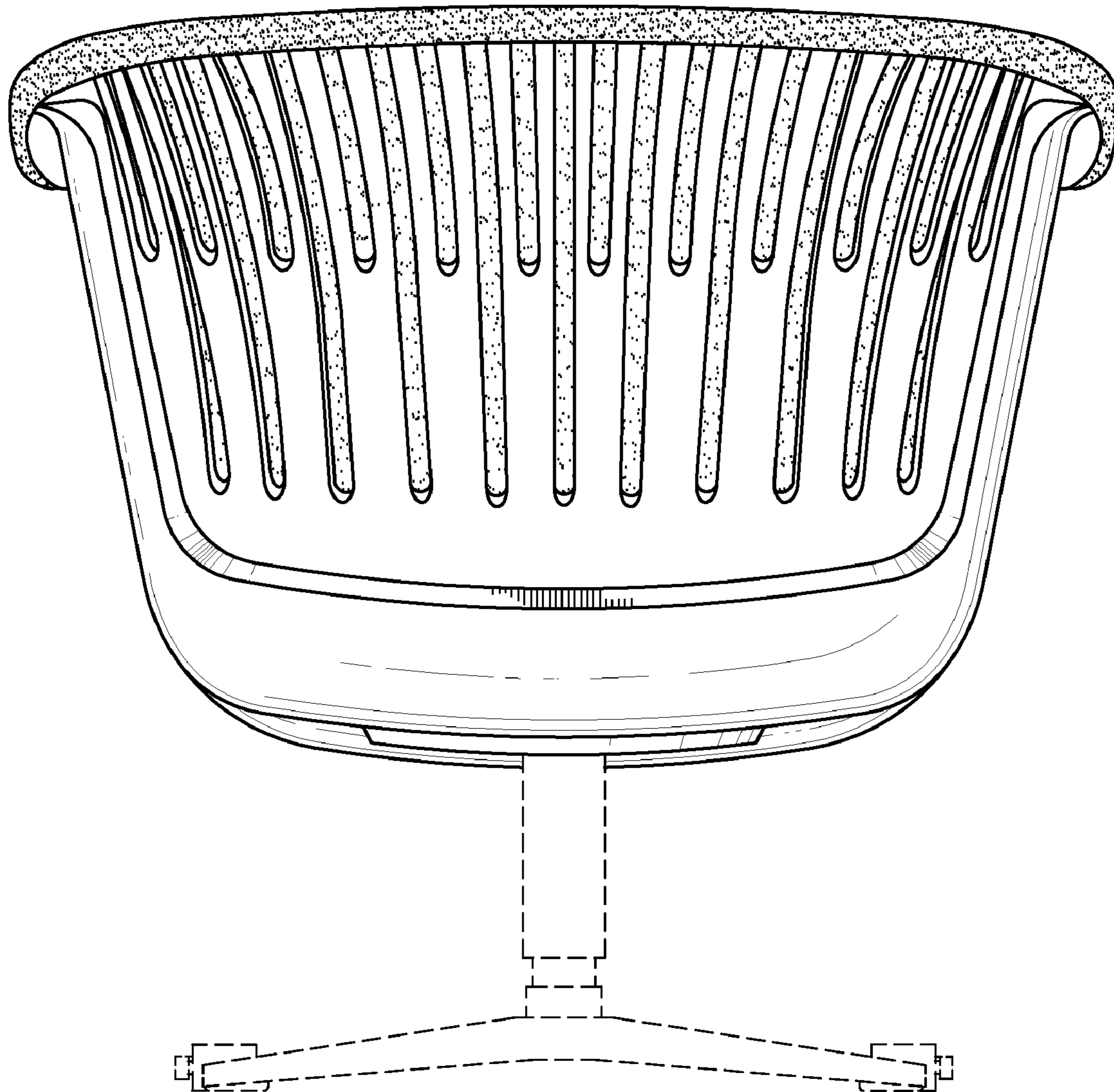
*FIG. 2*



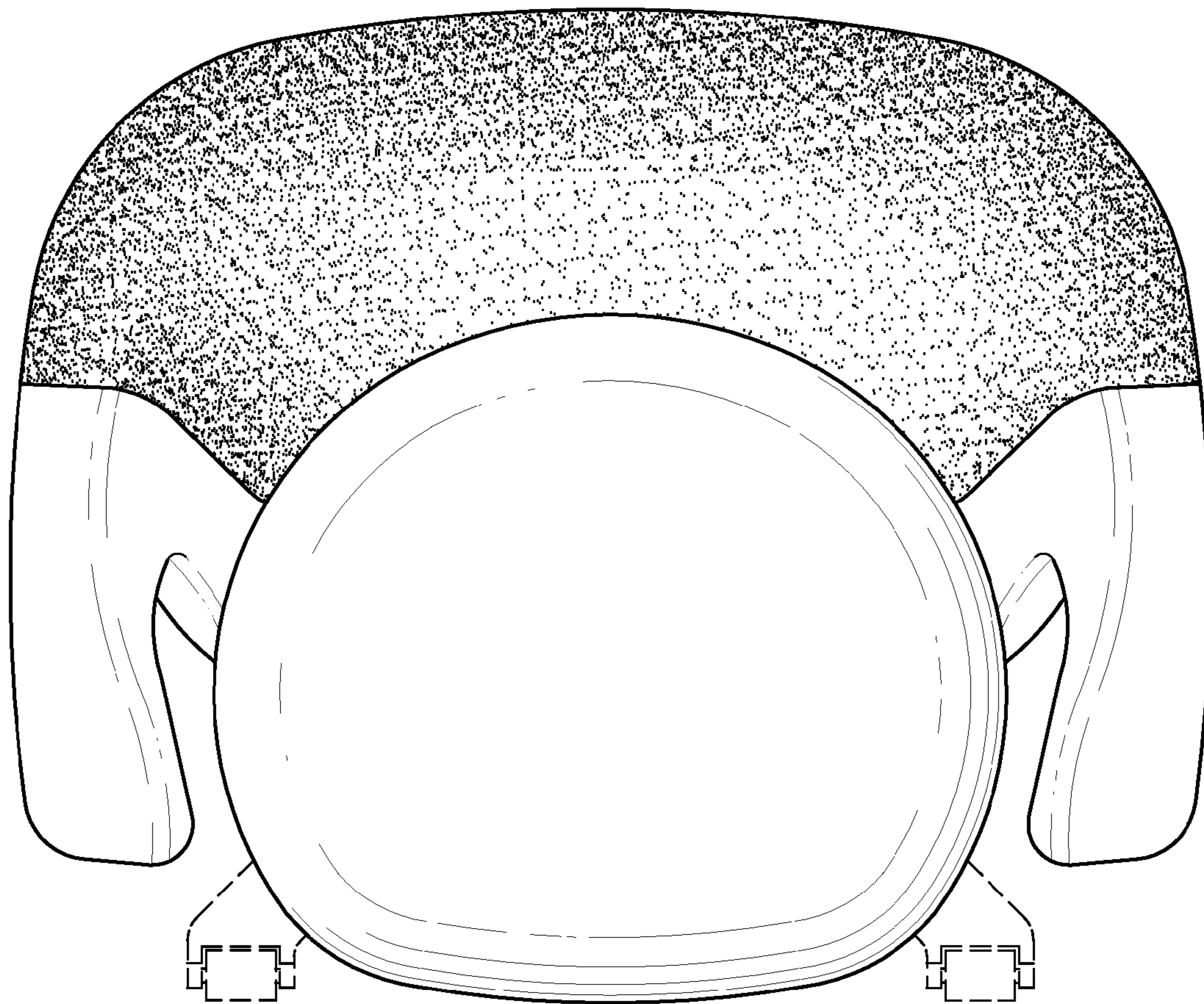
*FIG. 3*



**FIG. 4**



*FIG. 5*



*FIG. 6*