



US00D600947S

(12) **United States Design Patent**
Wiegmann

(10) **Patent No.:** **US D600,947 S**

(45) **Date of Patent:** **** Sep. 29, 2009**

(54) **FURNITURE MOLDING**

(76) Inventor: **Holly Wiegmann**, 2008 South
Oceanfront, Jacksonville Beach, FL (US)
32250

(**) Term: **14 Years**

(21) Appl. No.: **29/310,712**

(22) Filed: **Sep. 5, 2008**

(51) **LOC (9) Cl.** **06-04**

(52) **U.S. Cl.** **D6/491**

(58) **Field of Classification Search** D6/491,
D6/382, 507, 511, 466, 553, 494; 5/279.1,
5/280, 281; D25/136, 119, 124, 125, 123;
49/DIG. 2; 52/274, 287.1, 289, 290, 312,
52/717.01, 716.8, 403.1, 27, 36.1, 36.4, 385,
52/36.5

See application file for complete search history.

(56) **References Cited**

U.S. PATENT DOCUMENTS

D255,940 S * 7/1980 Kwan et al. D25/119
D259,811 S * 7/1981 Guy D25/124
D287,082 S * 12/1986 Gambon D6/491
D330,434 S * 10/1992 Watters D25/136

D350,403 S * 9/1994 Watters D25/136
D373,203 S * 8/1996 Kornfalt et al. D25/136
D413,462 S 9/1999 Paus
D454,215 S * 3/2002 Nelson et al. D25/136
D456,088 S * 4/2002 Nelson et al. D25/136
D464,152 S * 10/2002 Nelson et al. D25/136

* cited by examiner

Primary Examiner—Caron Veynar

Assistant Examiner—Abraham Bahta

(74) *Attorney, Agent, or Firm*—Thomas C. Saitta

(57) **CLAIM**

The ornamental design for a furniture molding, as shown and described.

DESCRIPTION

FIG. 1 is a front view of the furniture molding of my design, the rear view being identical thereto.

FIG. 2 is a top view, the bottom view being identical thereto.

FIG. 3 is a right side view, the left side view being identical thereto; and,

FIG. 4 is a perspective view.

The furniture molding is shown broken away at one end to indicate indeterminate length.

1 Claim, 1 Drawing Sheet

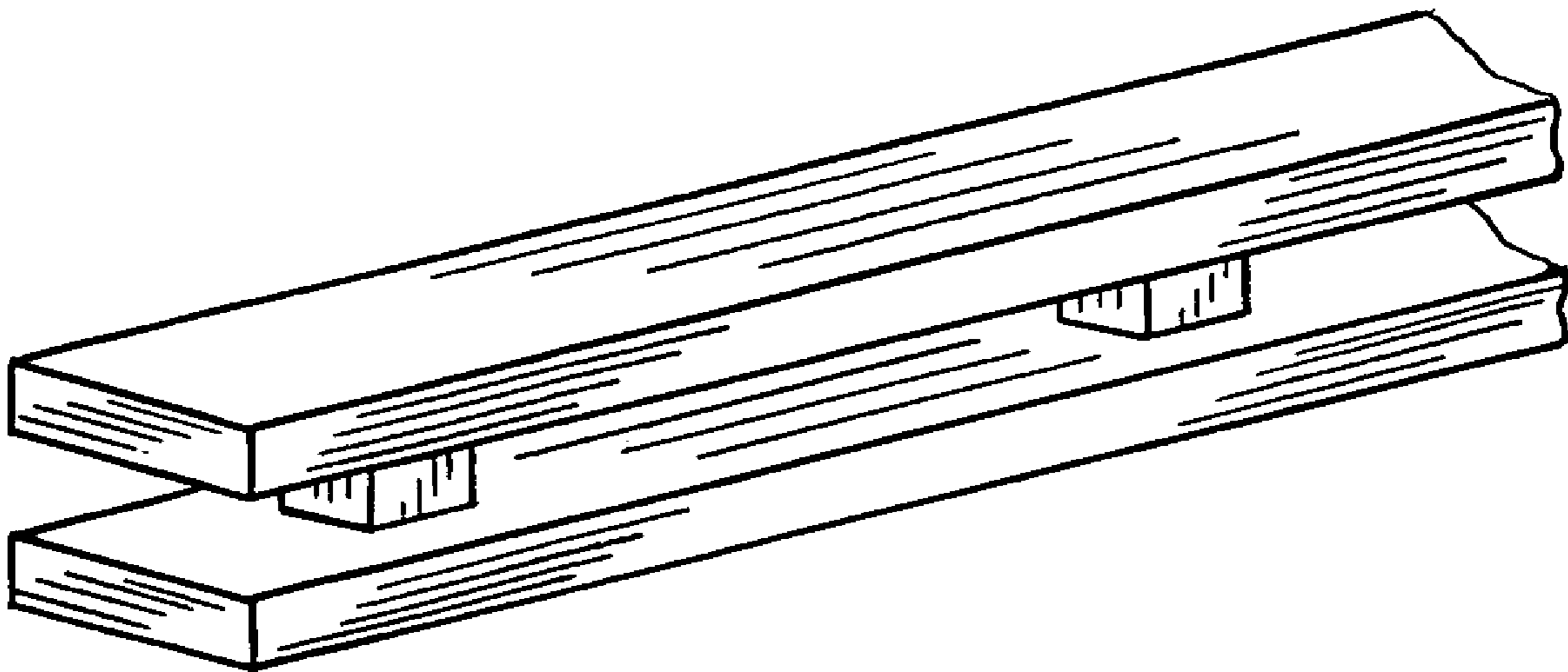


FIG. 1

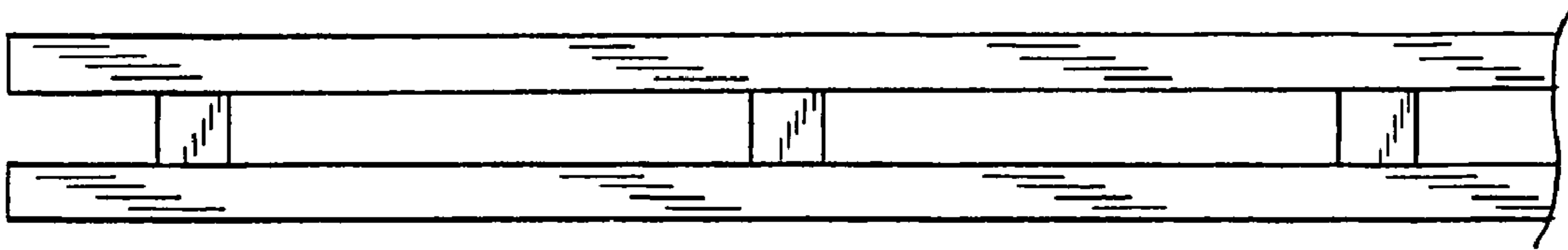


FIG. 2

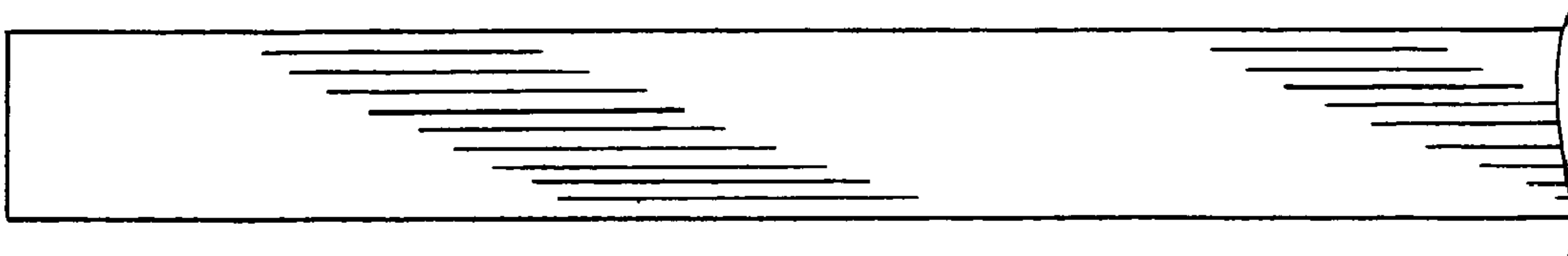


FIG. 3

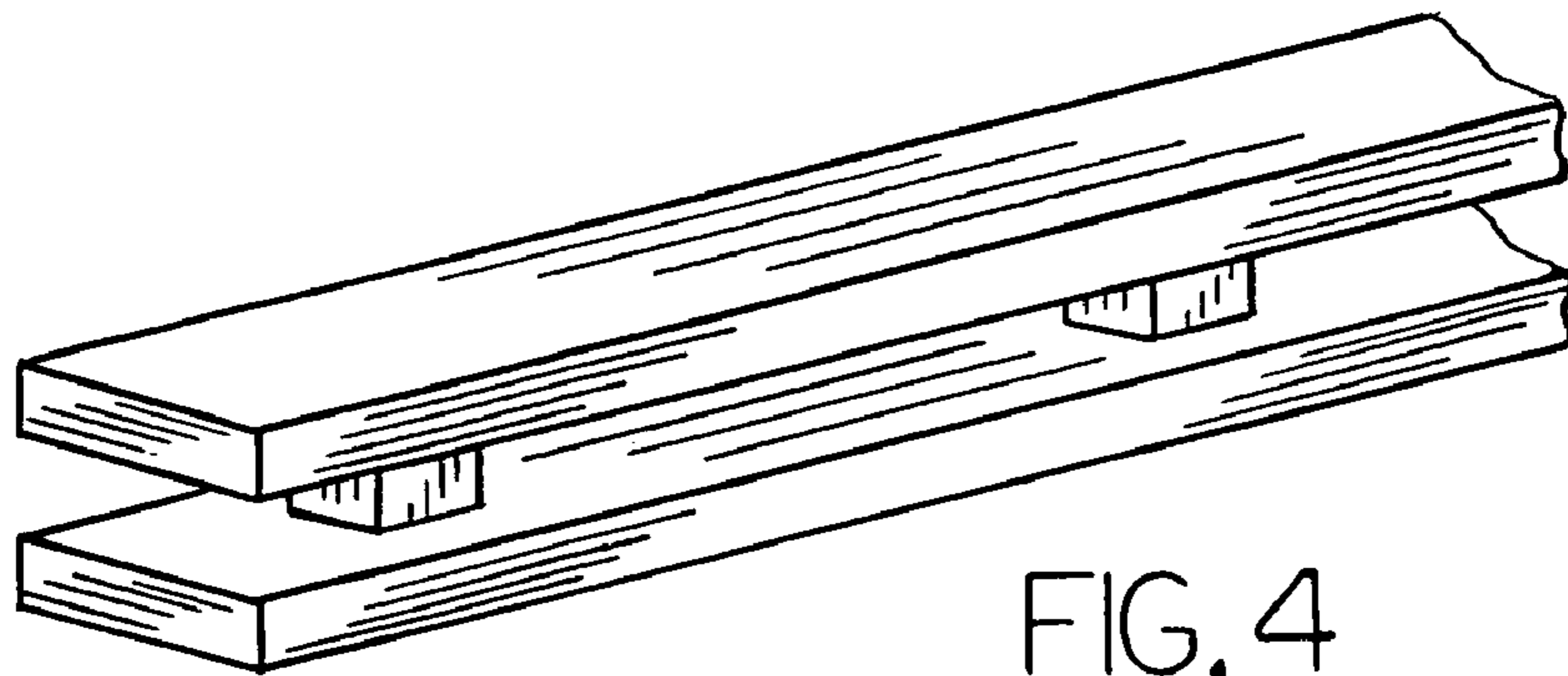


FIG. 4