



US00D600946S

(12) **United States Design Patent**
Day

(10) **Patent No.:** **US D600,946 S**
(45) **Date of Patent:** **** Sep. 29, 2009**

(54) **SHELVES AND CORRESPONDING FRAME**

D587,496 S * 3/2009 Weitz D6/477

(75) Inventor: **Jeffrey Allen Day**, Seattle, WA (US)

* cited by examiner

(73) Assignee: **Slam Brands, Inc.**, Redmond, WA (US)

Primary Examiner—Elizabeth A Albert
Assistant Examiner—Kelley A Donnelly

(**) Term: **14 Years**

(74) *Attorney, Agent, or Firm*—Turocy & Watson, LLP;
Thomas E. Watson

(21) Appl. No.: **29/336,943**

(57) **CLAIM**

(22) Filed: **May 12, 2009**

An ornamental design for shelves and corresponding frame,
as shown and described.

(51) **LOC (9) Cl.** **06-04**

(52) **U.S. Cl.** **D6/479**

(58) **Field of Classification Search** D6/470,
D6/471, 474, 477–479, 460–461, 468; 312/7.2,
312/9.1; 108/59, 91, 92, 96; 211/40, 41.12,
211/42, 49.1, 50, 85.2, 90.04, 187, 190
See application file for complete search history.

DESCRIPTION

(56) **References Cited**

U.S. PATENT DOCUMENTS

D496,543 S *	9/2004	Forlenza	D6/477
D496,806 S *	10/2004	Chang	D6/477
D497,060 S *	10/2004	Chang	D6/477
D506,329 S *	6/2005	Sexton	D6/477
D507,901 S *	8/2005	Wicha	D6/477
D516,841 S *	3/2006	Stenhouse et al.	D6/479
D517,837 S *	3/2006	Takatsuki et al.	D6/477
D522,275 S *	6/2006	Becker	D6/479
D524,080 S *	7/2006	Stenhouse et al.	D6/479
D525,054 S *	7/2006	Stenhouse et al.	D6/479
D539,057 S *	3/2007	Senda et al.	D6/477
D560,396 S *	1/2008	Weatherly	D6/470
7,337,732 B2 *	3/2008	Becker et al.	108/193
D567,546 S *	4/2008	Liu	D6/479
D575,557 S *	8/2008	Sexton	D6/477

FIG. 1 is a top perspective view of a design for shelves and corresponding frame;

FIG. 2 is the top perspective view without environmental elements blocking a view thereof;

FIG. 3 is a bottom perspective view of the design;

FIG. 4 is the bottom perspective view without environmental elements blocking a view thereof;

FIG. 5 is a left side view thereof mirrored on the right side;

FIG. 6 is a front side view thereof;

FIG. 7 is a back side view thereof;

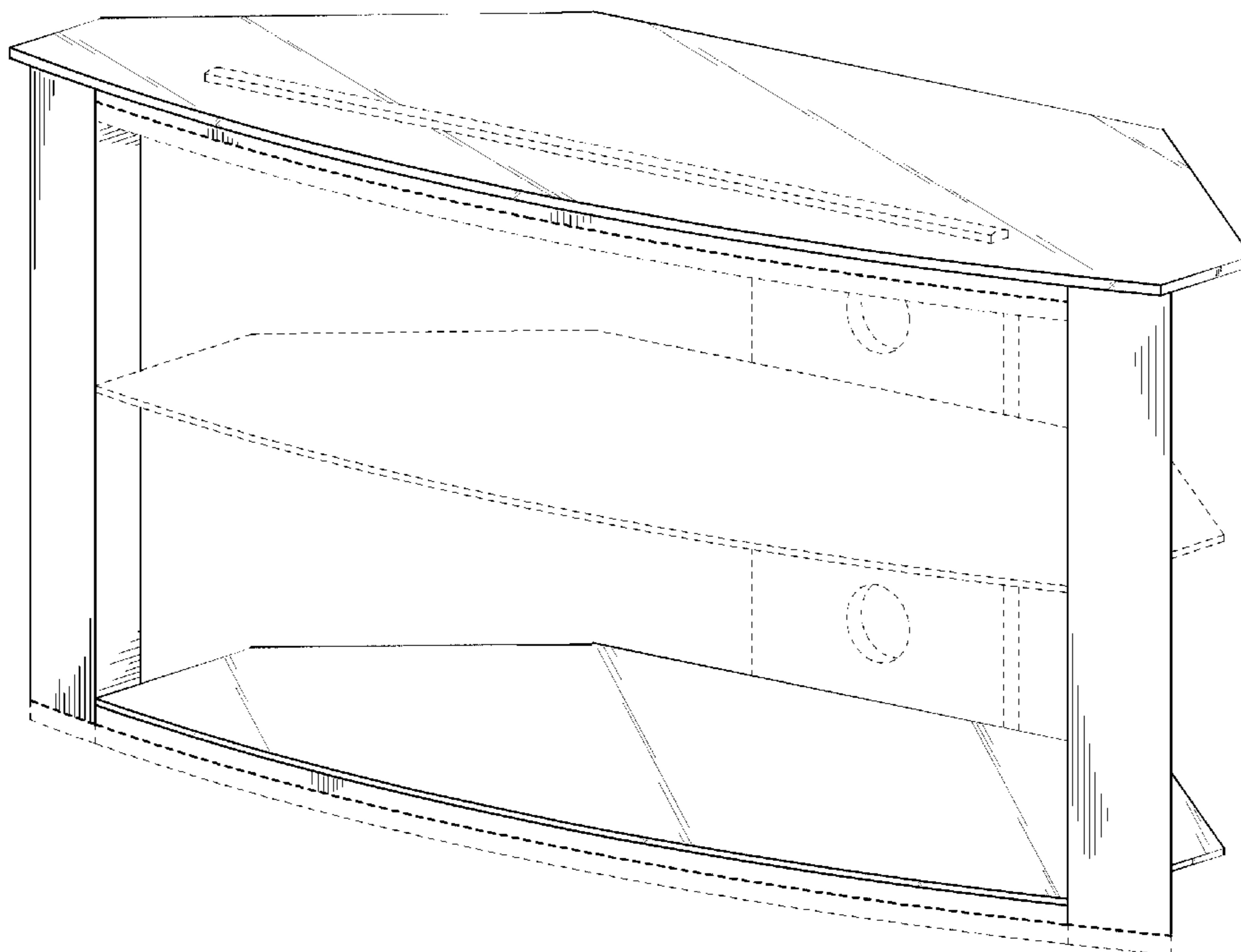
FIG. 8 is the back side view without environmental elements blocking a view thereof;

FIG. 9 is a top plan view thereof; and,

FIG. 10 is a bottom plan view thereof.

The dashed lines in the drawings are shown for environmental purposes and form no part of the claimed design.

1 Claim, 10 Drawing Sheets



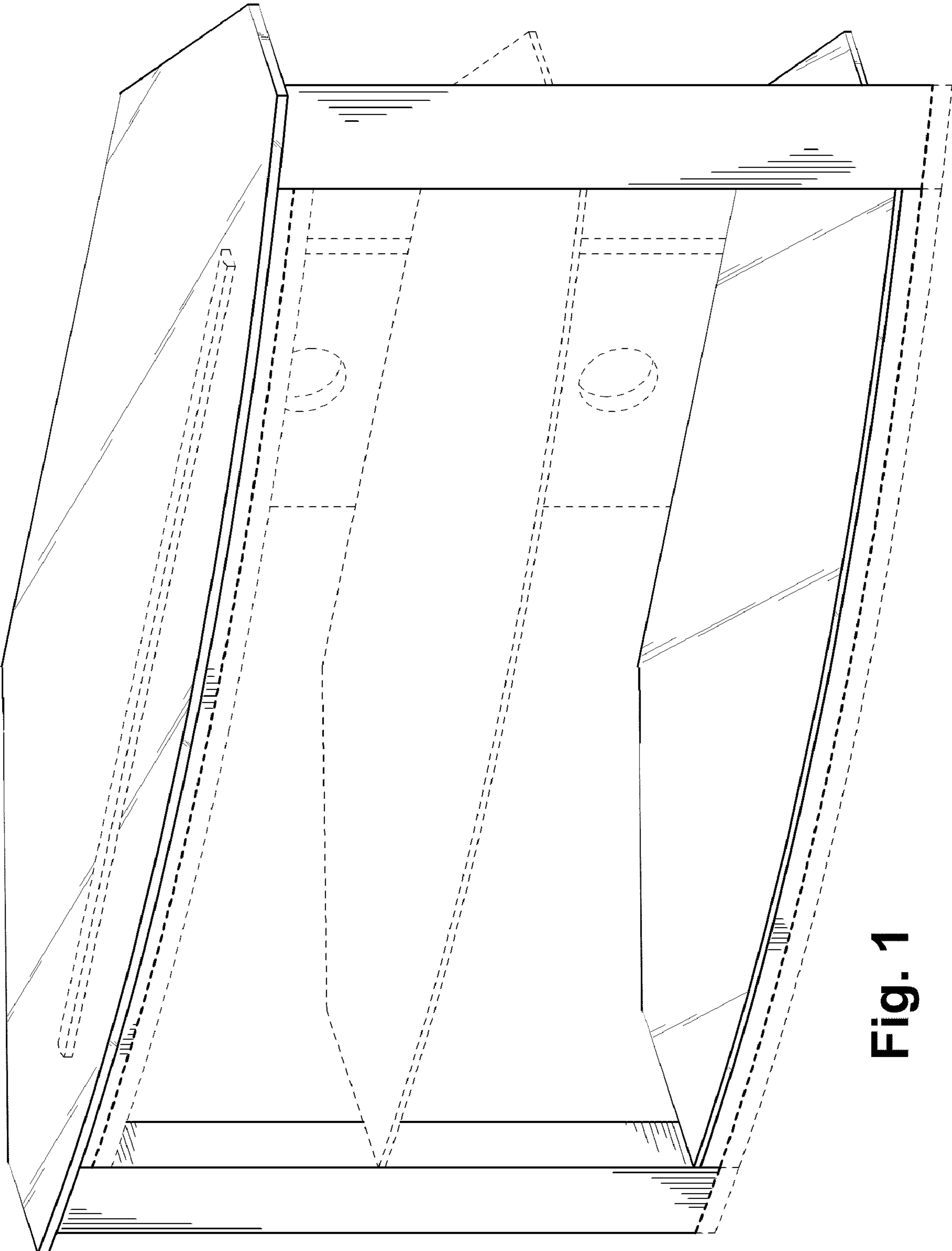


Fig. 1

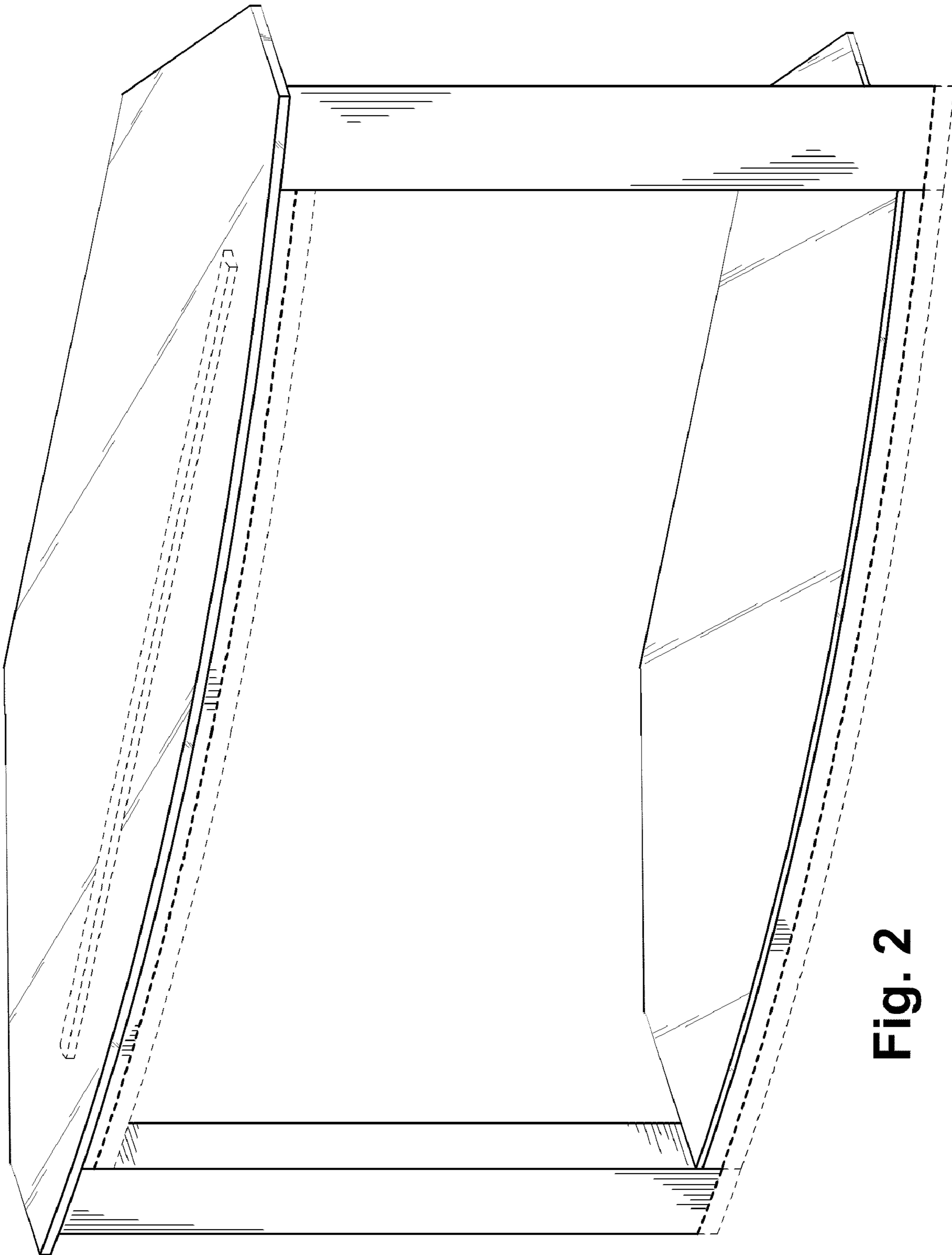


Fig. 2

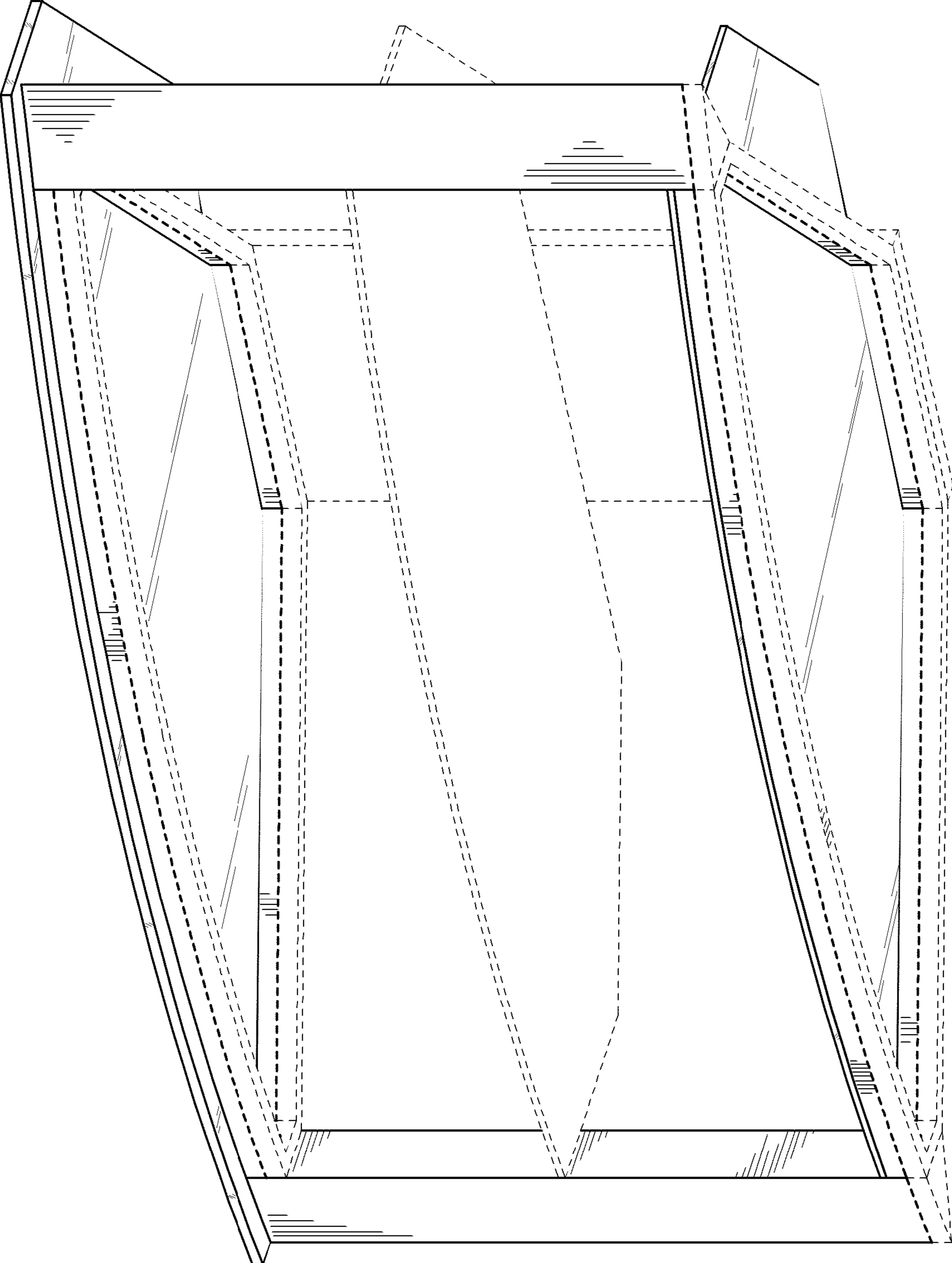


Fig. 3

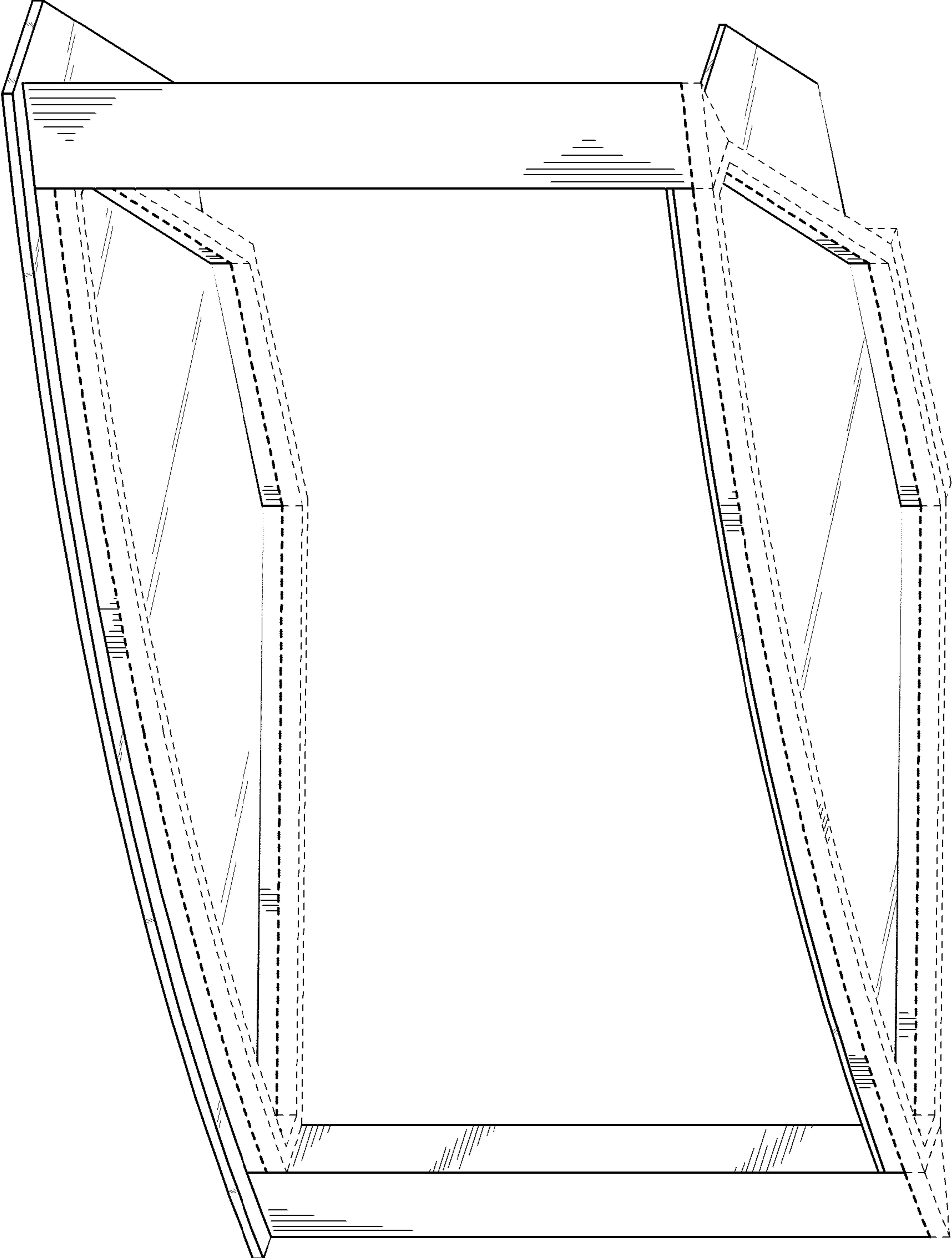


Fig. 4

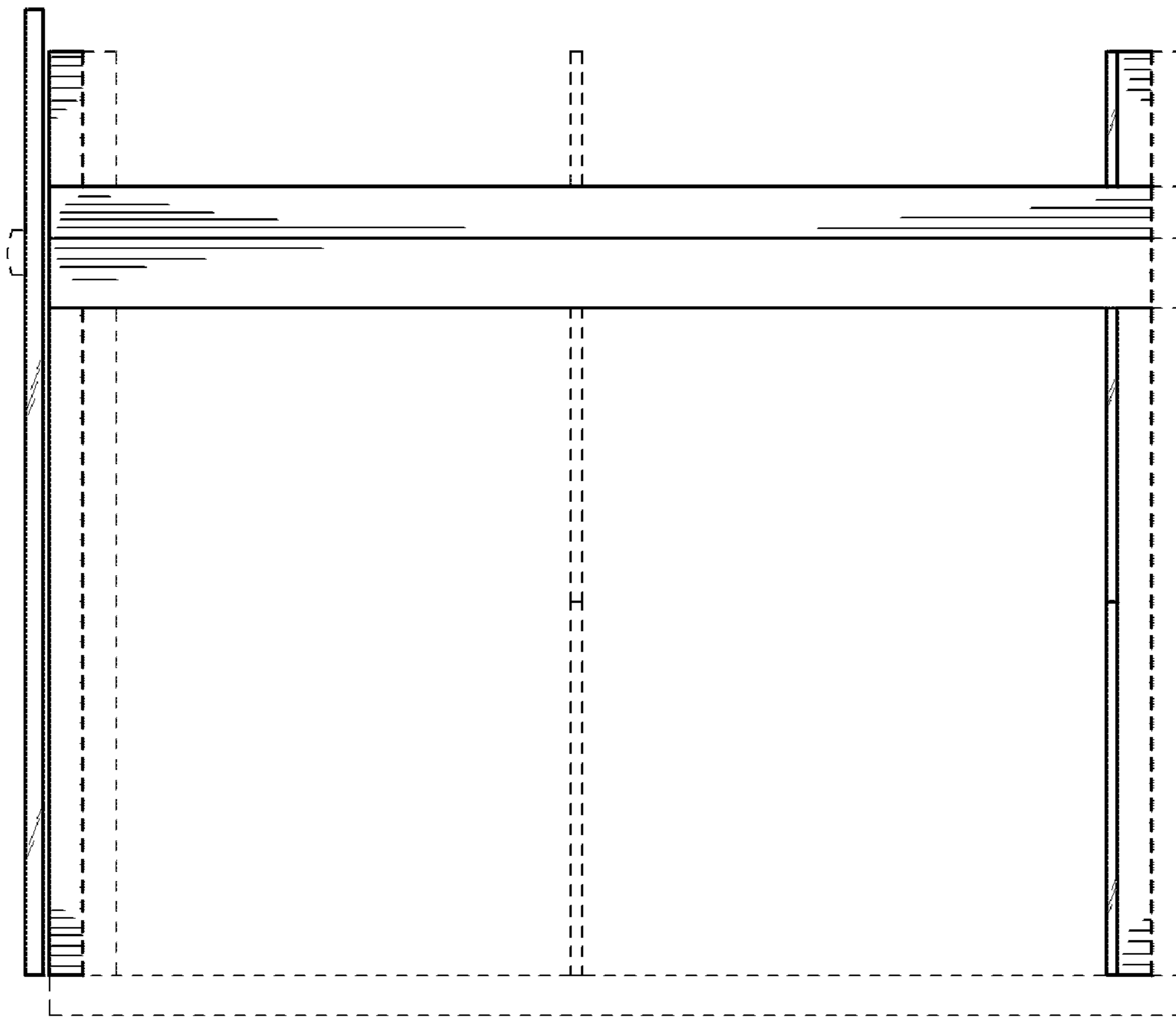


Fig. 5

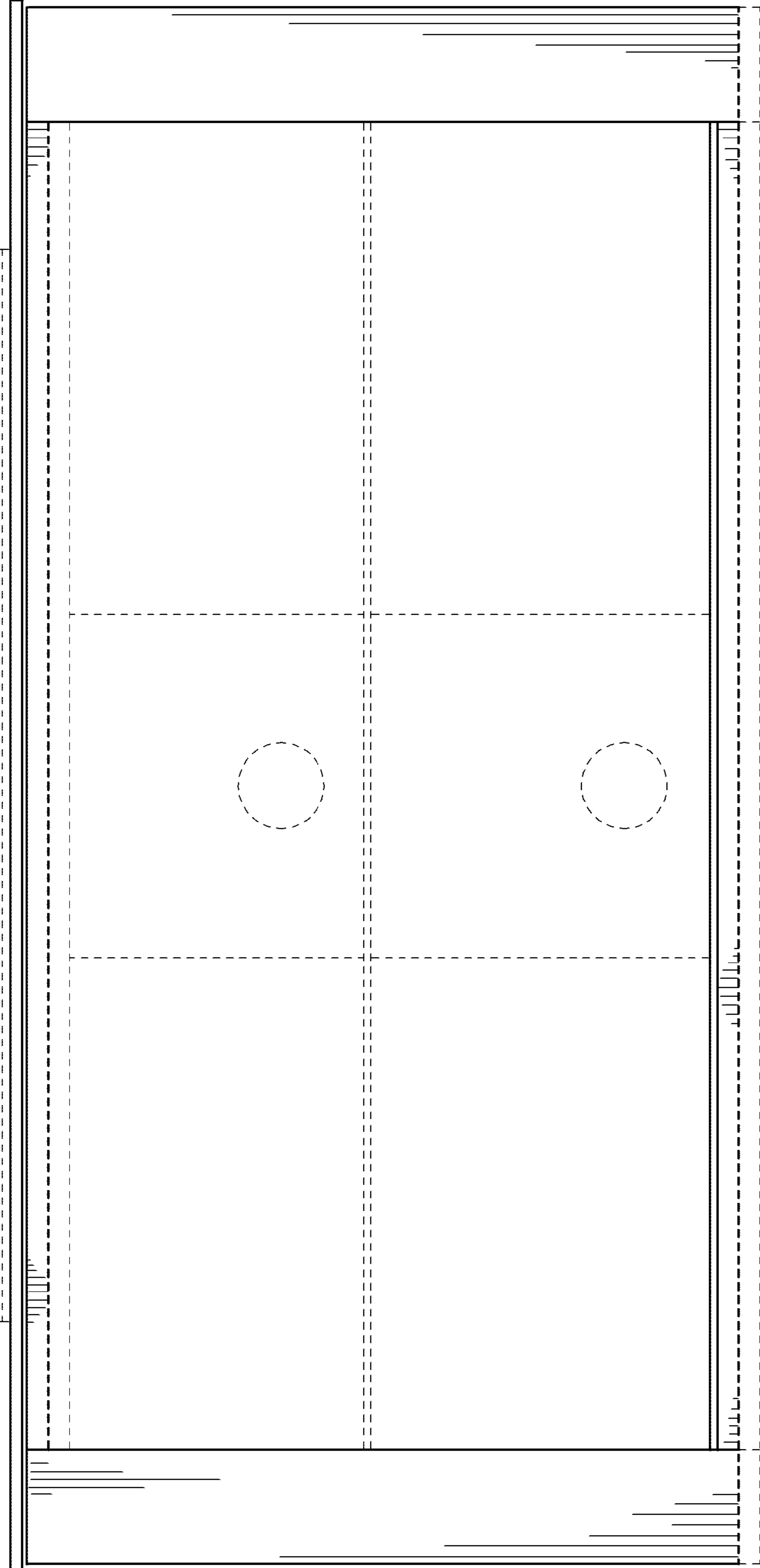


Fig. 6

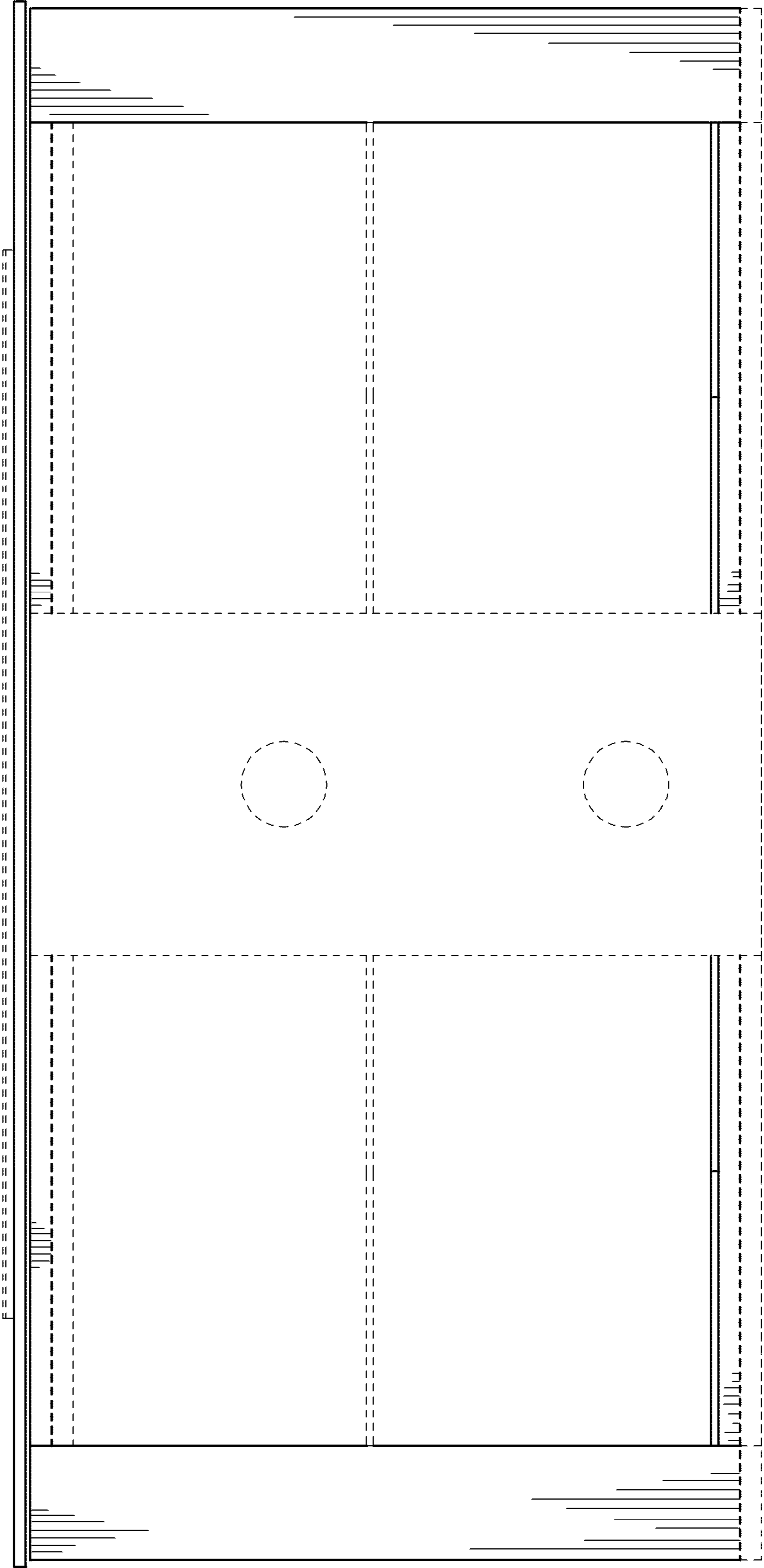


Fig. 7

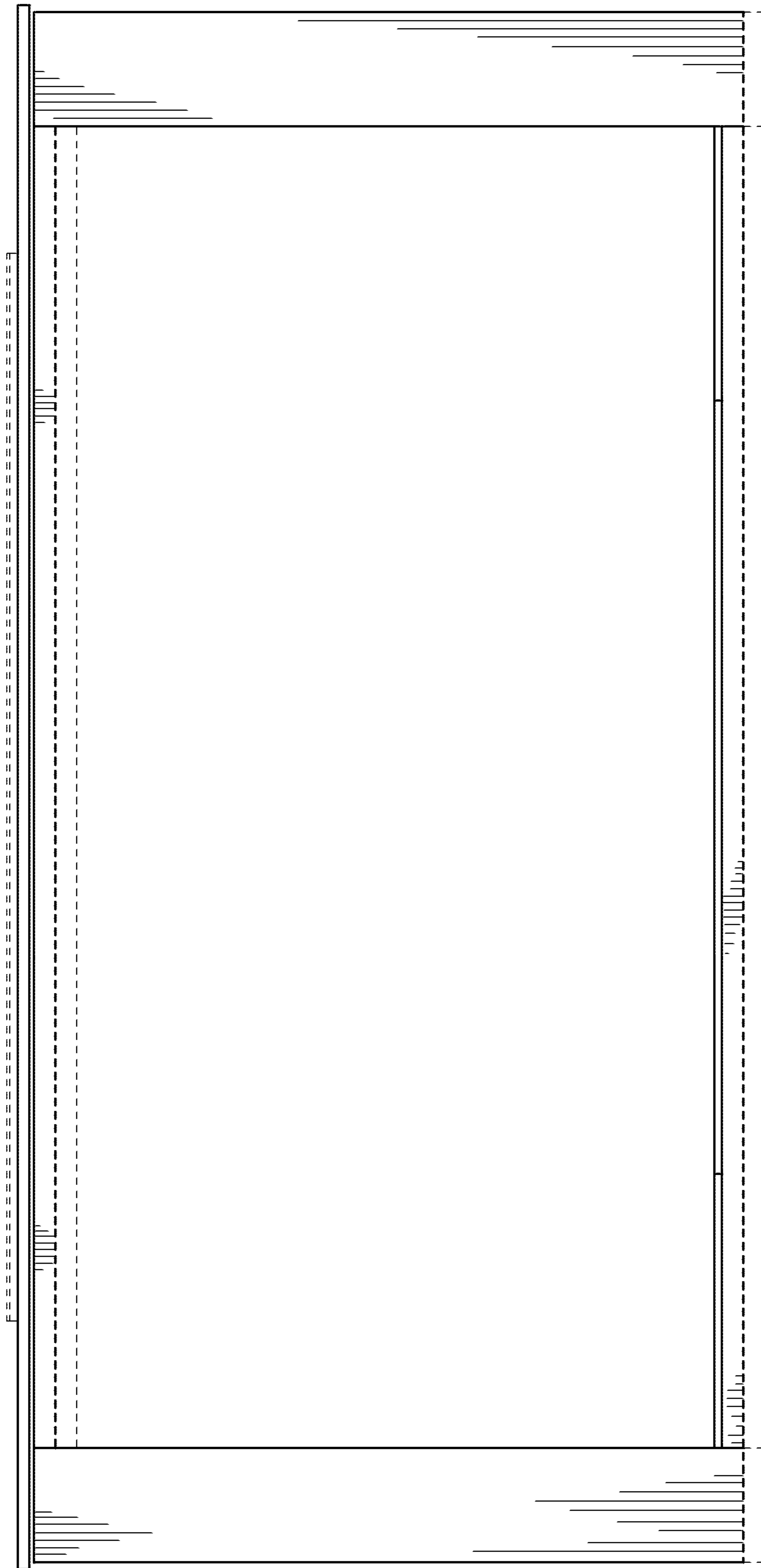


Fig. 8

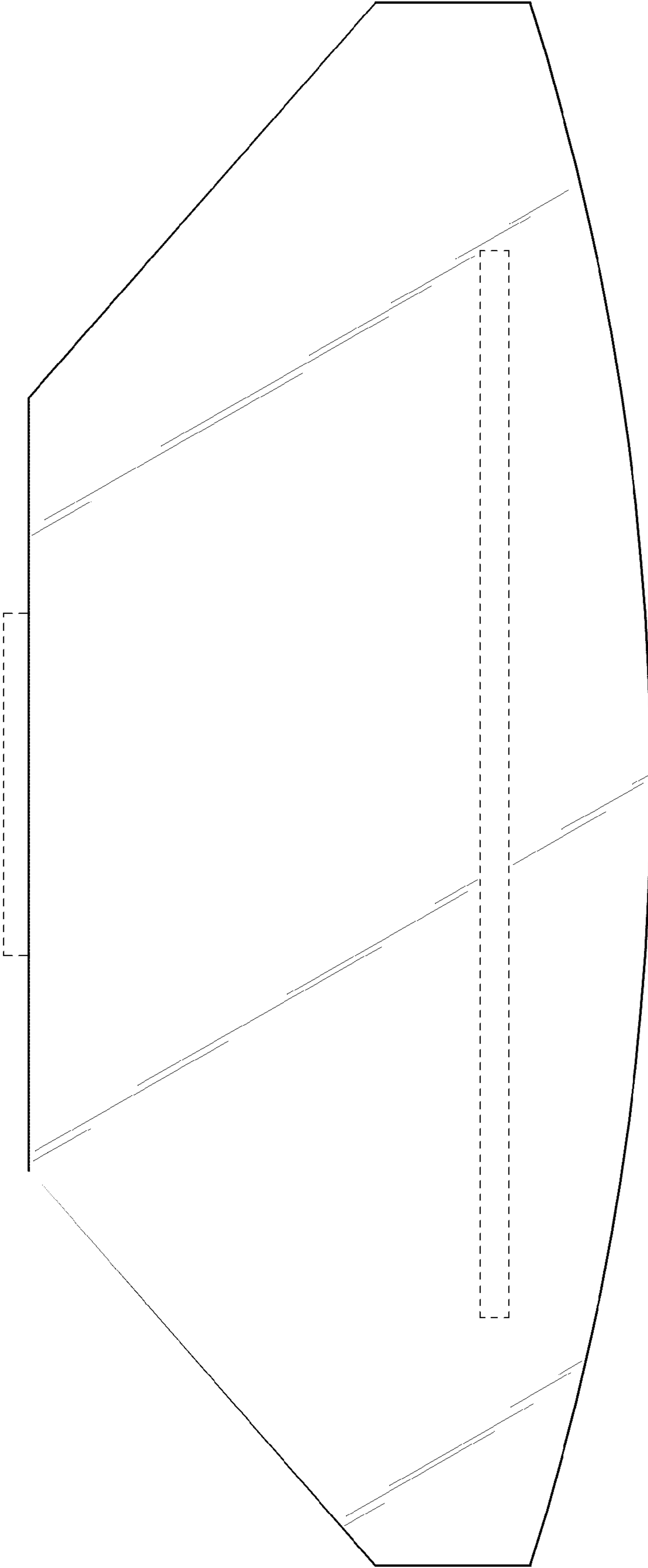


Fig. 9

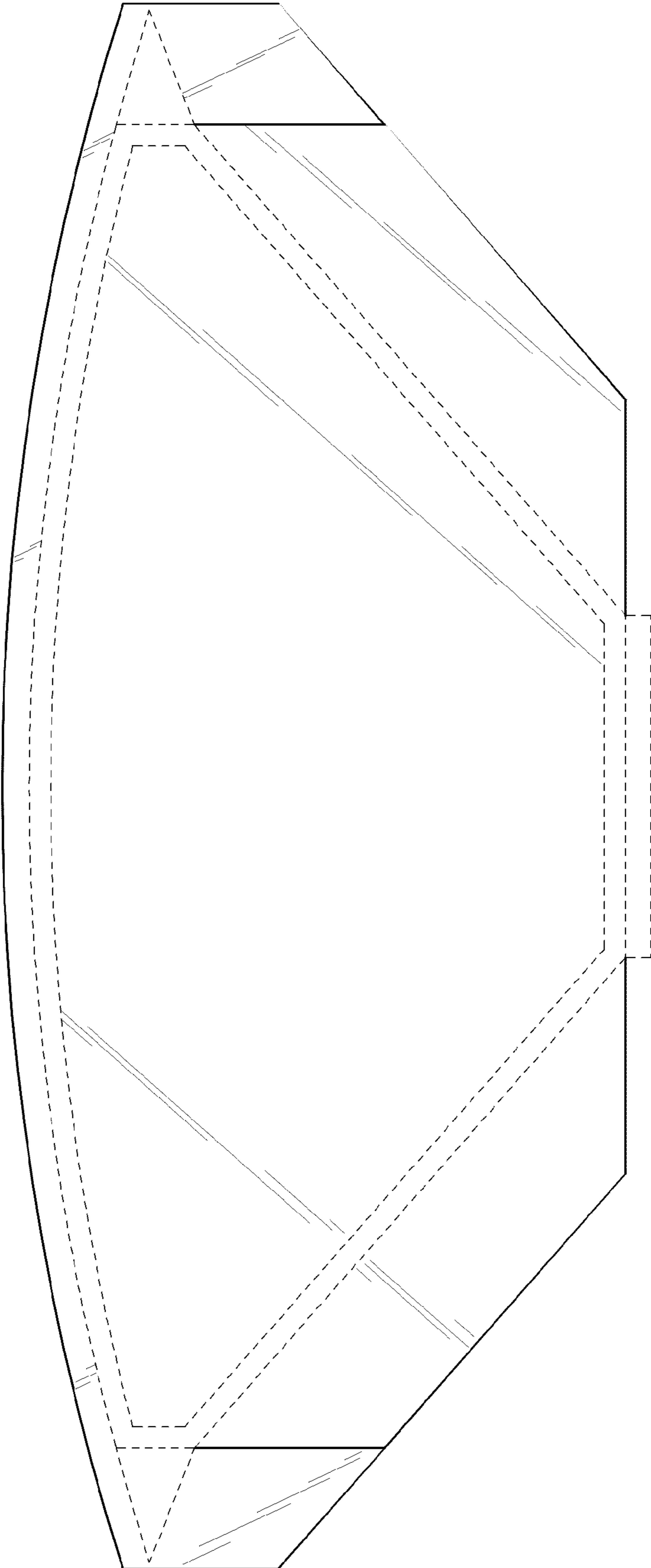


Fig. 10