



US00D600944S

(12) **United States Design Patent**
McConnell et al.

(10) **Patent No.:** **US D600,944 S**

(45) **Date of Patent:** **** Sep. 29, 2009**

(54) **CUBE SHELF**

(75) Inventors: **Jennifer McConnell**, Greensboro, NC (US); **Earl David Forrest**, Asheboro, NC (US)

(73) Assignee: **Liberty Hardware Mfg. Corp.**, Winston-Salem, NC (US)

(**) Term: **14 Years**

(21) Appl. No.: **29/289,683**

(22) Filed: **Jul. 27, 2007**

(51) **LOC (9) Cl.** **06-04**

(52) **U.S. Cl.** **D6/449**

(58) **Field of Classification Search** D6/477-479, D6/300, 301, 308, 408, 470, 449, 553, 574, D6/475, 511; D21/337, 398, 405, 478; D20/10; 211/42, 188; 108/59; 312/107, 108; 434/208, 434/211, 247; D19/62

See application file for complete search history.

(56) **References Cited**

U.S. PATENT DOCUMENTS

D185,509 S *	6/1959	Pedersen	D6/301
D197,279 S *	1/1964	Bartley et al.	D14/146
D251,993 S *	5/1979	Birdsall	D21/405
4,258,960 A *	3/1981	Harris	384/297
4,407,911 A *	10/1983	Hooke	429/94
D273,019 S *	3/1984	Chalabian	D20/6
D273,021 S *	3/1984	Chalabian	D20/6
4,770,958 A *	9/1988	Newman et al.	429/177
D302,709 S *	8/1989	Thompson	D21/478
D308,603 S *	6/1990	De Maat et al.	D6/300

D315,069 S *	3/1991	Merl	D6/408
D315,270 S *	3/1991	Merl	D6/567
D316,873 S *	5/1991	Merl	D20/6
5,014,115 A *	5/1991	Moser	257/659
D329,942 S *	10/1992	Carr	D3/20
5,197,899 A *	3/1993	Akeda	439/271
5,720,617 A *	2/1998	Var	434/247
D408,061 S *	4/1999	Borg	D21/337
D446,826 S *	8/2001	Dunn et al.	D21/398
D505,746 S *	5/2005	Chen	D27/141
7,048,346 B2 *	5/2006	Saravis	312/111
D560,400 S *	1/2008	Austin et al.	D6/477
D566,430 S *	4/2008	Austin et al.	D6/477

* cited by examiner

Primary Examiner—Cathron C Brooks

Assistant Examiner—Austin Murphy

(74) *Attorney, Agent, or Firm*—Edgar A. Zarins; Nirav D. Parikh

(57) **CLAIM**

The ornamental design for a cube shelf, as shown and described.

DESCRIPTION

FIG. 1 is a perspective view of a cube shelf showing our new design;

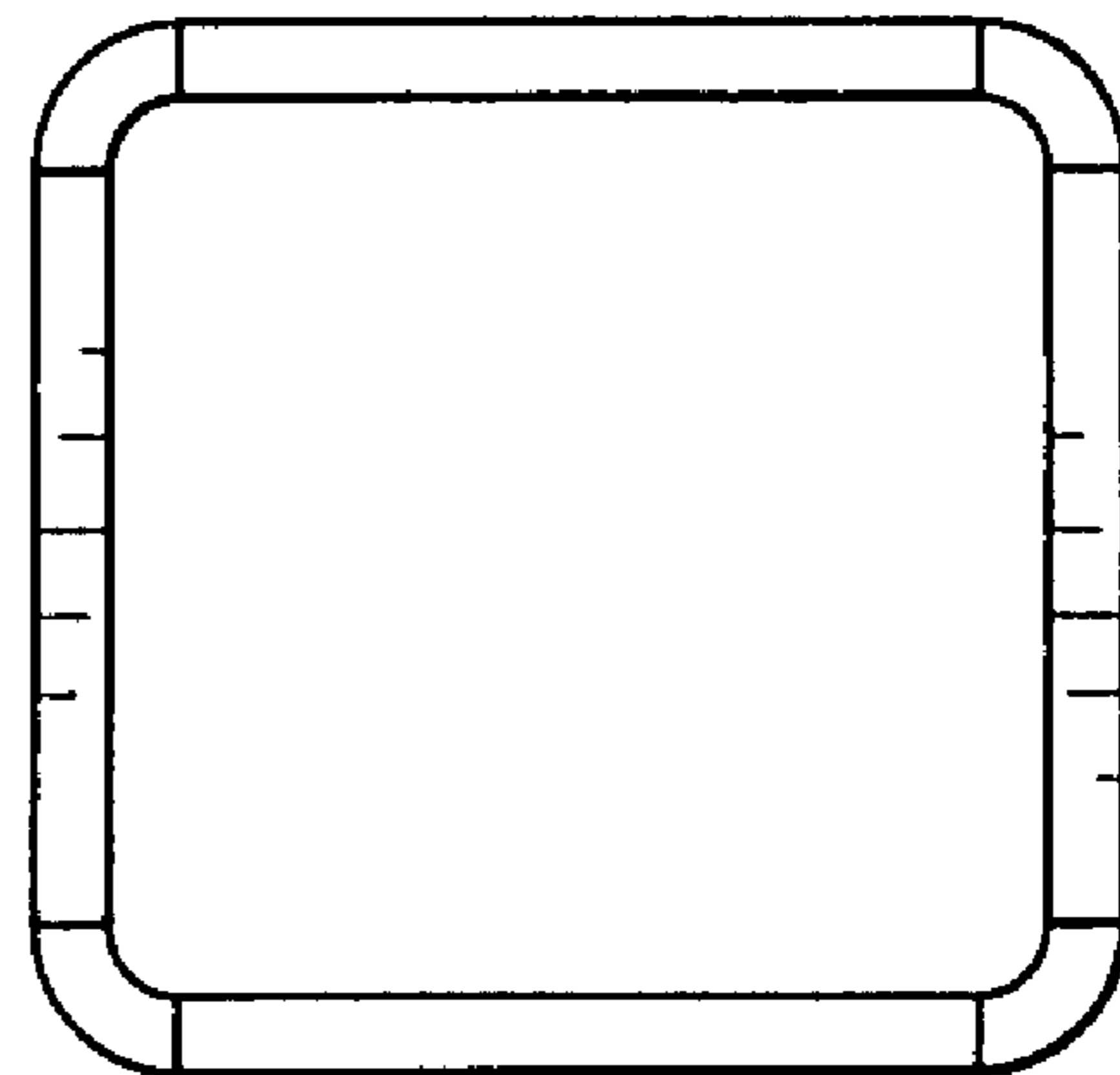
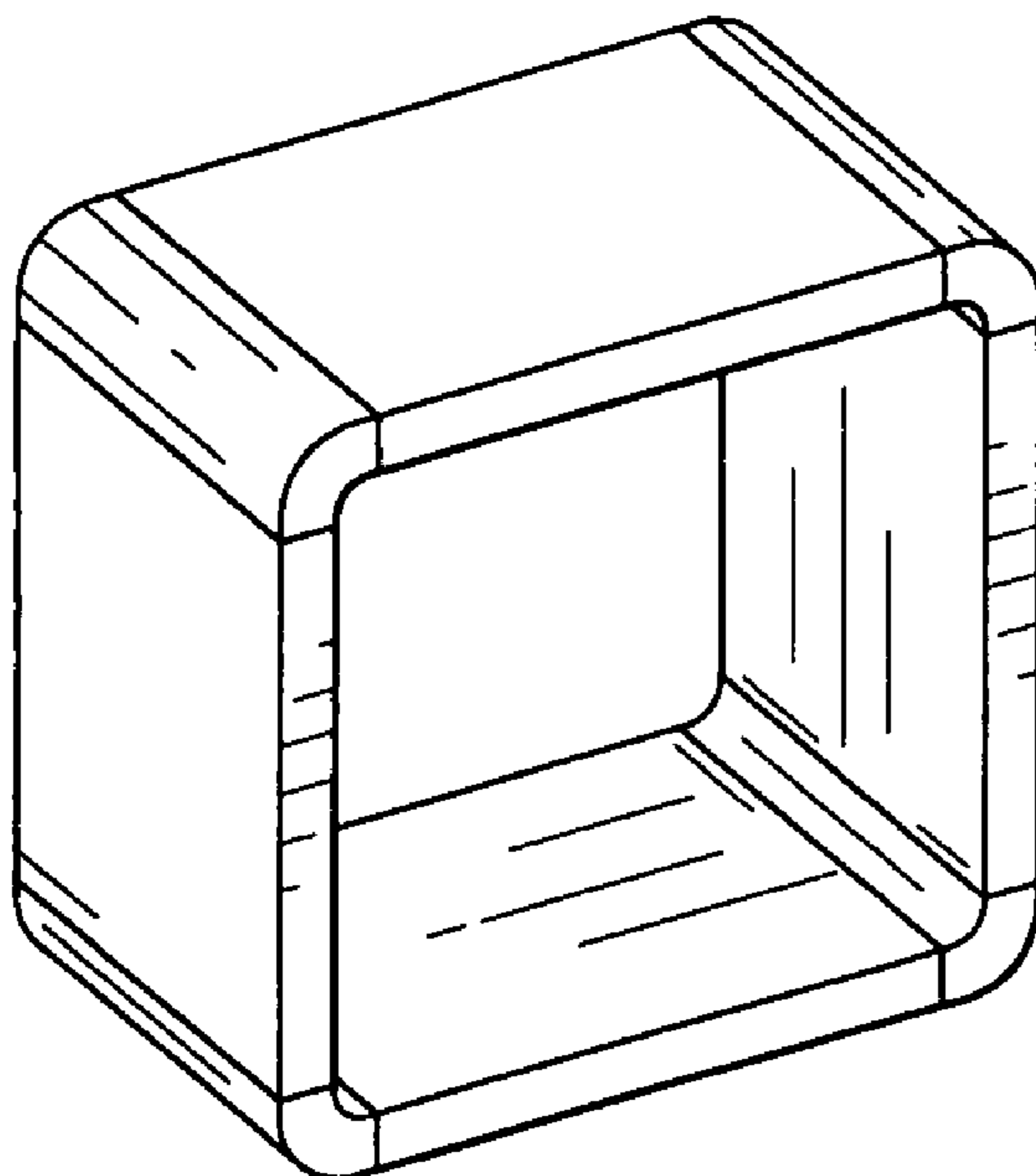
FIG. 2 is a front elevational view thereof;

FIG. 3 is a right side view thereof, the opposite side being a mirror image of the side shown;

FIG. 4 is a perspective view of a second embodiment thereof; and,

FIG. 5 is a perspective view of a third embodiment thereof.

1 Claim, 2 Drawing Sheets



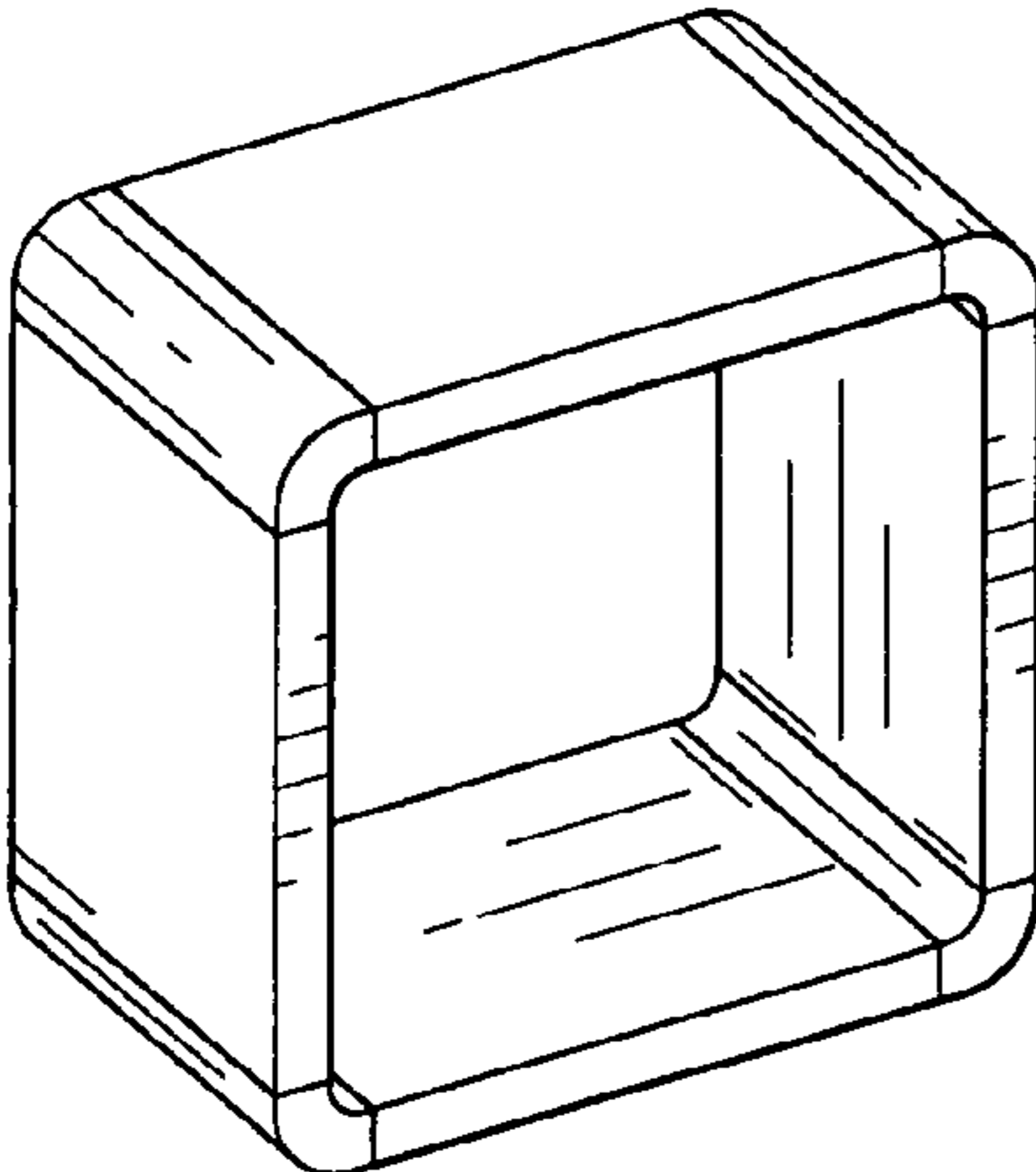


Fig-1

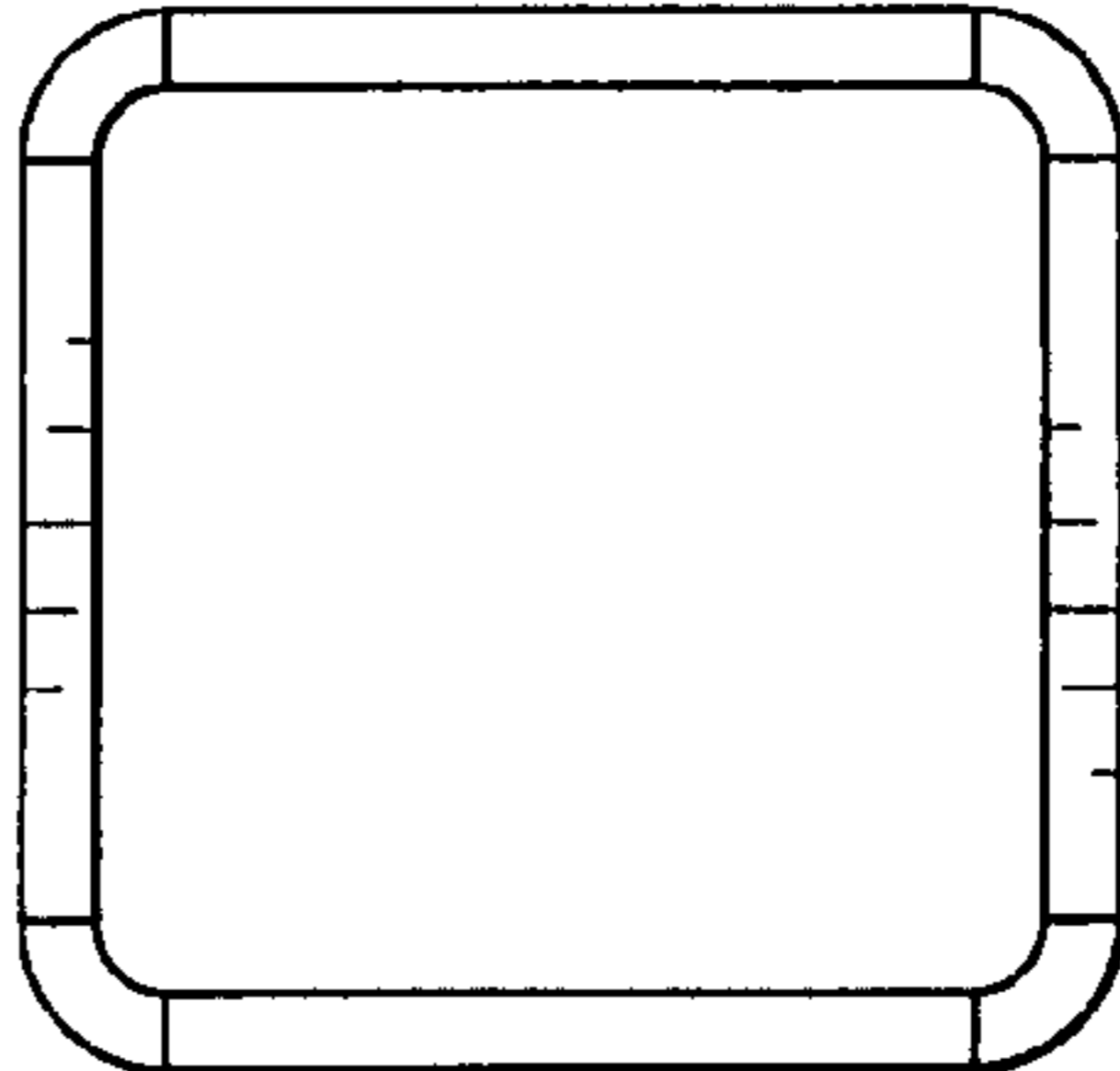


Fig-2

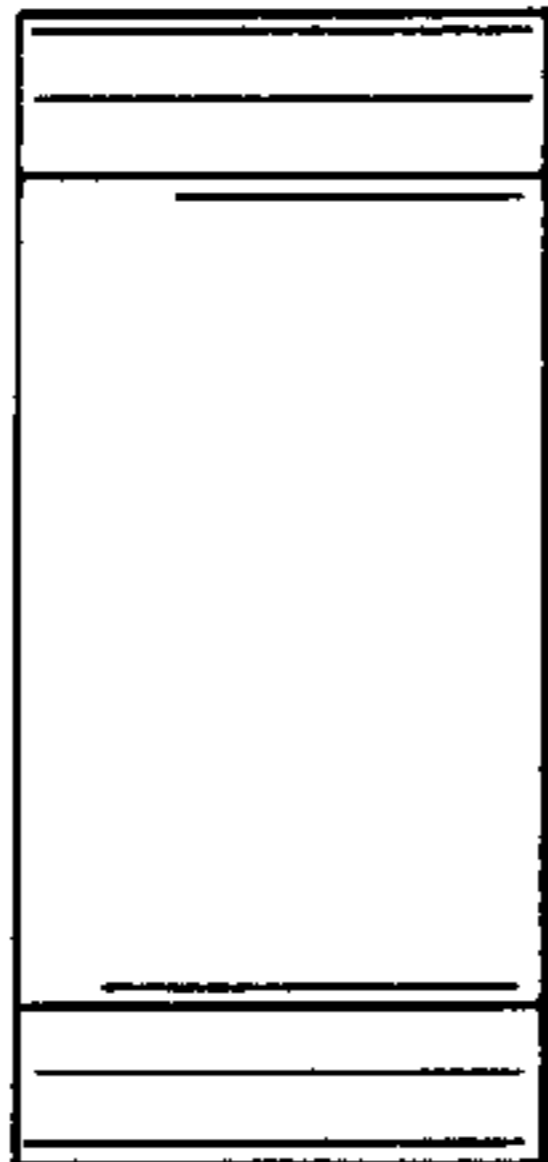


Fig-3

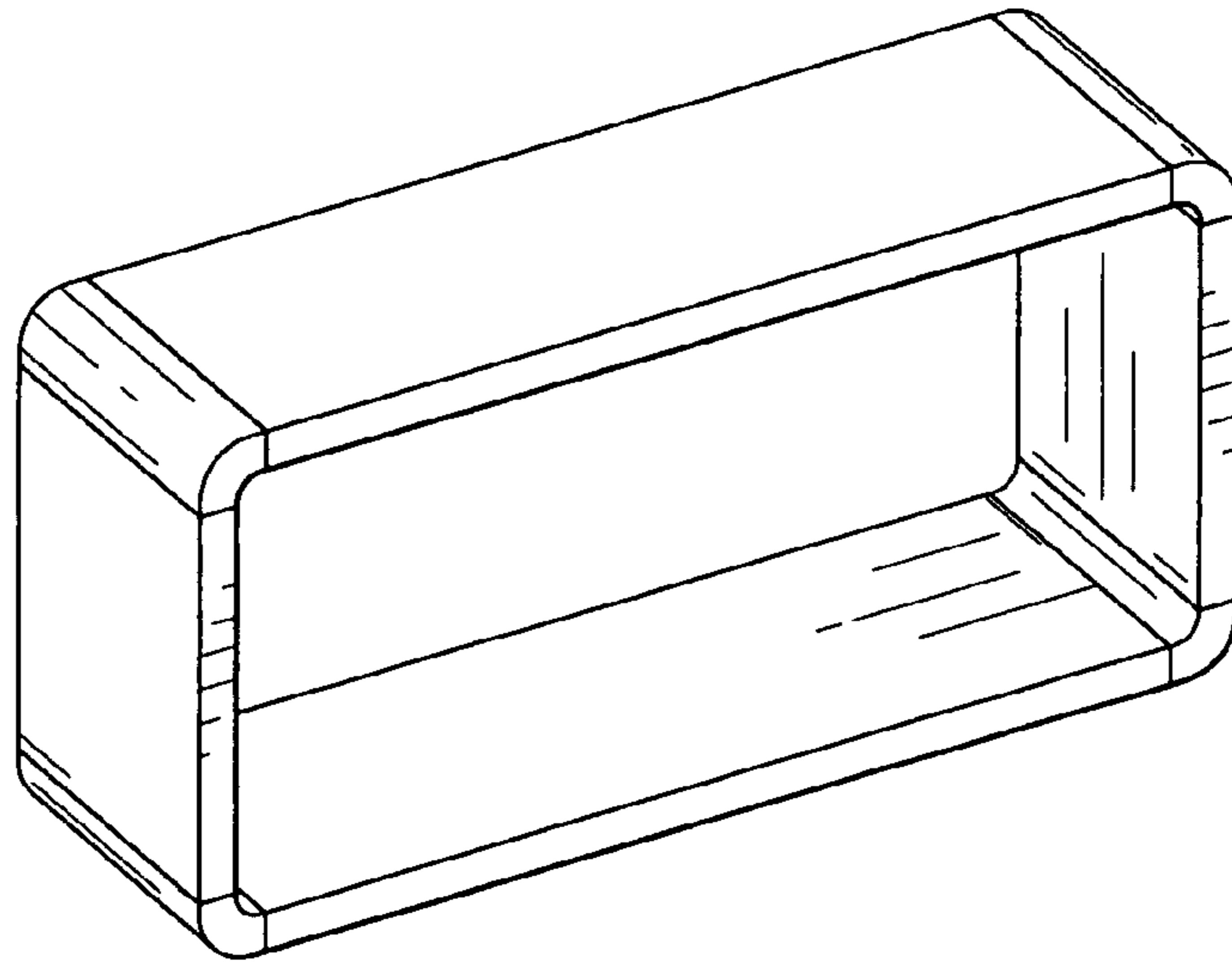


Fig-4

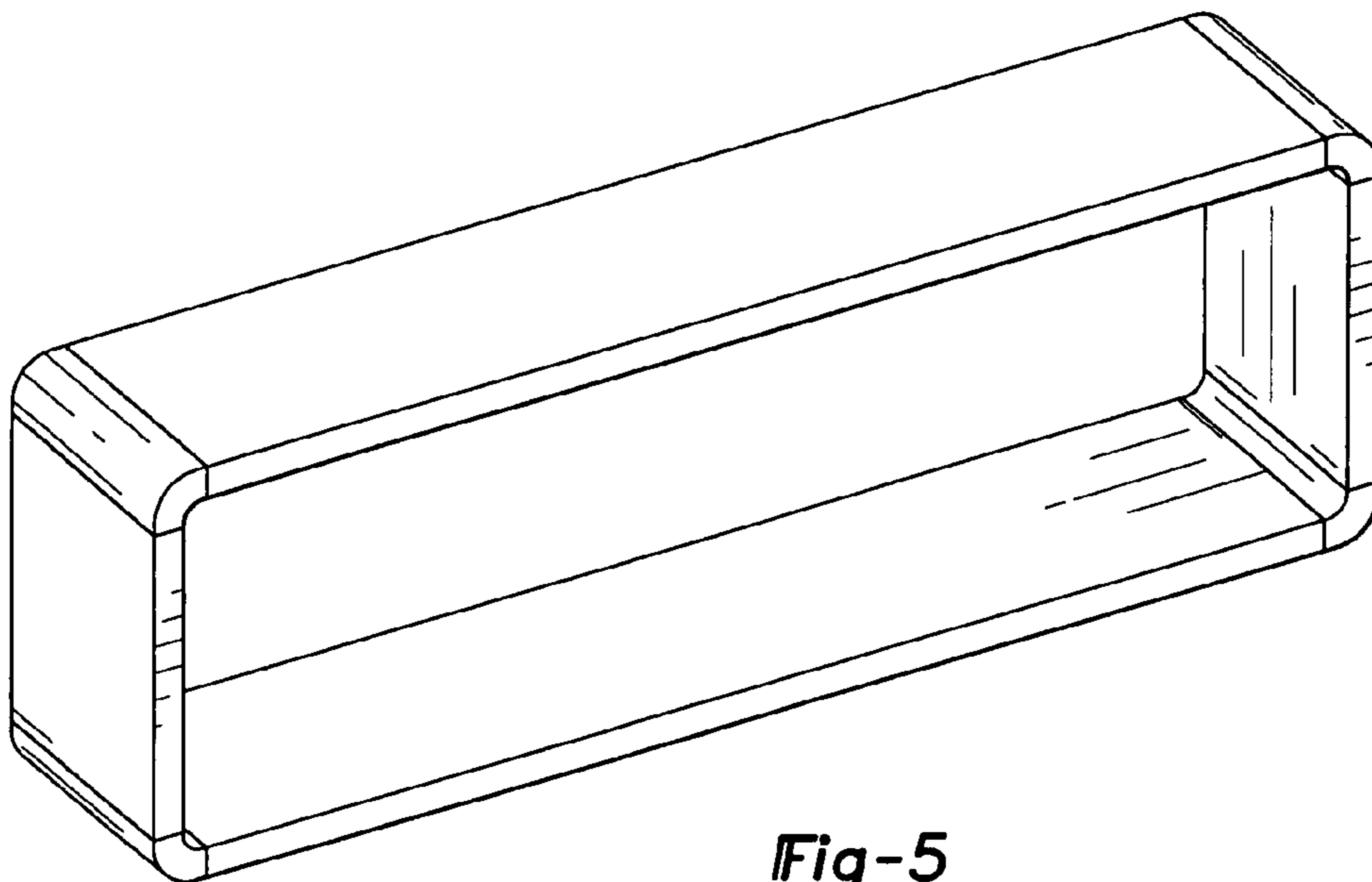


Fig-5