



US00D600943S

(12) **United States Design Patent**  
**Austin et al.**

(10) **Patent No.:** **US D600,943 S**

(45) **Date of Patent:** **\*\* Sep. 29, 2009**

(54) **CUBE SHELF**

(75) Inventors: **Douglas M. Austin**, Winston-Salem, NC (US); **James L. Daniels**, Stokesdale, NC (US)

(73) Assignee: **Liberty Hardware Mfg. Corp.**, Winston-Salem, NC (US)

(\*\*) Term: **14 Years**

(21) Appl. No.: **29/288,533**

(22) Filed: **Jun. 14, 2007**

(51) **LOC (9) Cl.** ..... **06-04**

(52) **U.S. Cl.** ..... **D6/449**

(58) **Field of Classification Search** ..... D6/477-479, D6/300, 301, 308, 408, 470, 449, 553, 567, D6/574, 475, 511; D21/337, 398, 405, 478; D20/10; 211/42, 188; 108/59; 312/107, 312/108; 434/208, 211, 247; D19/62

See application file for complete search history.

(56) **References Cited**

**U.S. PATENT DOCUMENTS**

3,403,323 A \* 9/1968 Wanlass ..... 323/250

D254,643 S \* 4/1980 Ashenfarb ..... D6/308  
D308,603 S \* 6/1990 De Maat et al. .... D6/300  
D329,942 S \* 10/1992 Carr ..... D3/20  
5,720,617 A \* 2/1998 Var ..... 434/247  
D443,147 S \* 6/2001 Vincent ..... D6/300  
D560,400 S \* 1/2008 Austin et al. .... D6/477  
D566,430 S \* 4/2008 Austin et al. .... D6/477

\* cited by examiner

*Primary Examiner*—Cathron C Brooks

*Assistant Examiner*—Austin Murphy

(74) *Attorney, Agent, or Firm*—Edgar A. Zarins; Nirav D. Parikh

(57) **CLAIM**

The ornamental design for a cube shelf, as shown and described.

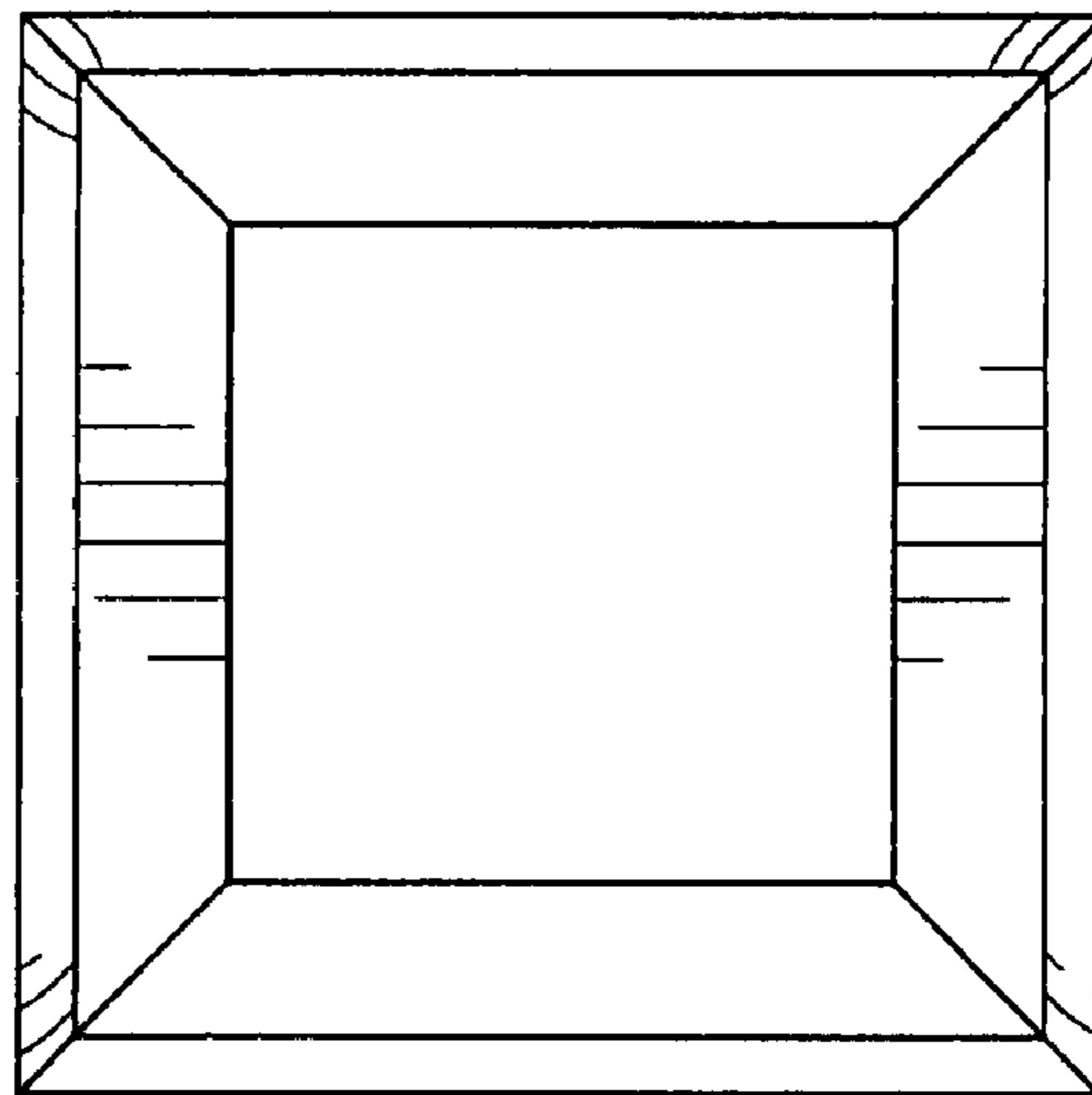
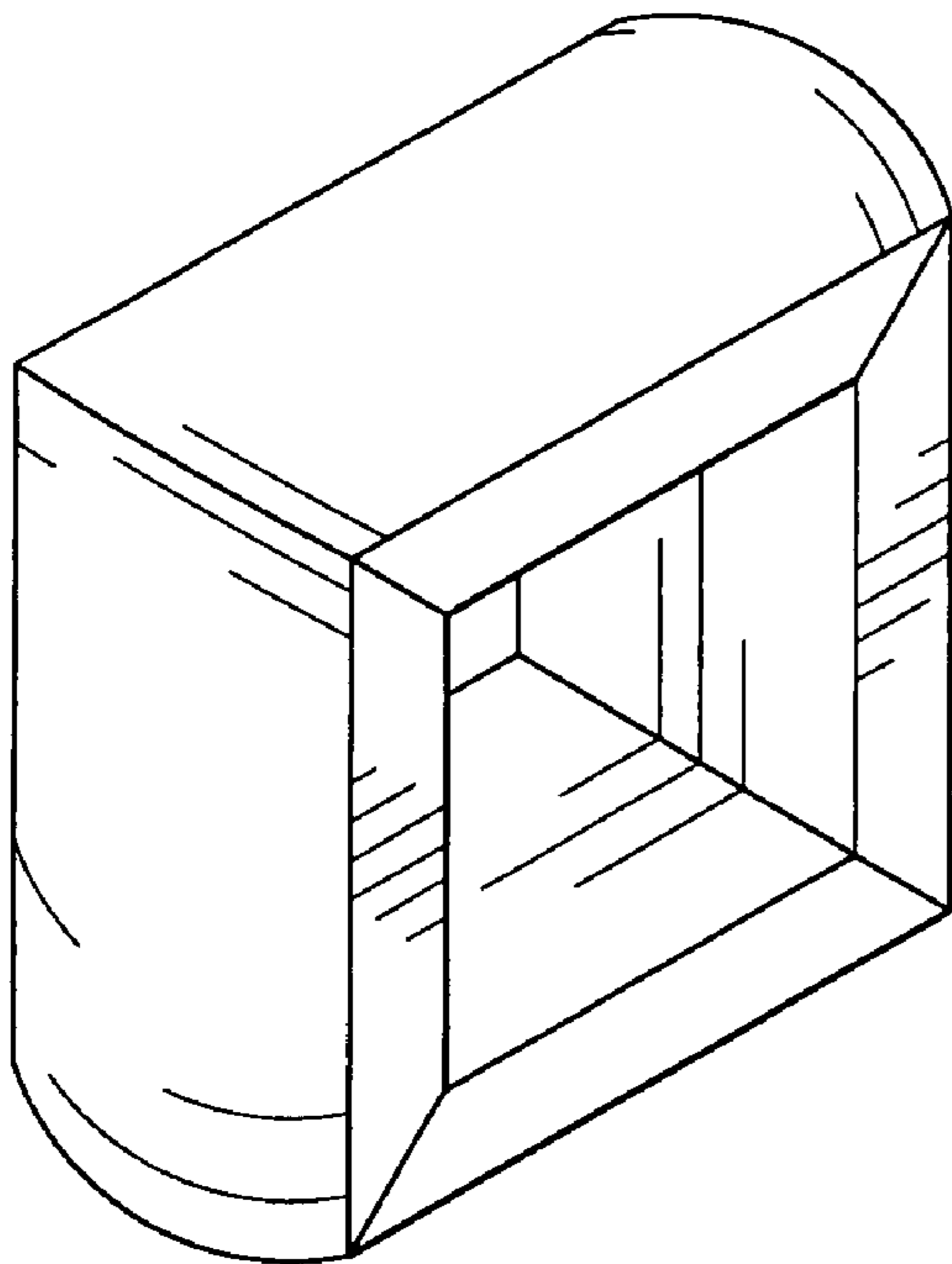
**DESCRIPTION**

FIG. 1 is a perspective view of a cube shelf showing our new design;

FIG. 2 is a front elevational view thereof; and,

FIG. 3 is a side view thereof, the opposite side being a mirror image of the side shown.

**1 Claim, 1 Drawing Sheet**



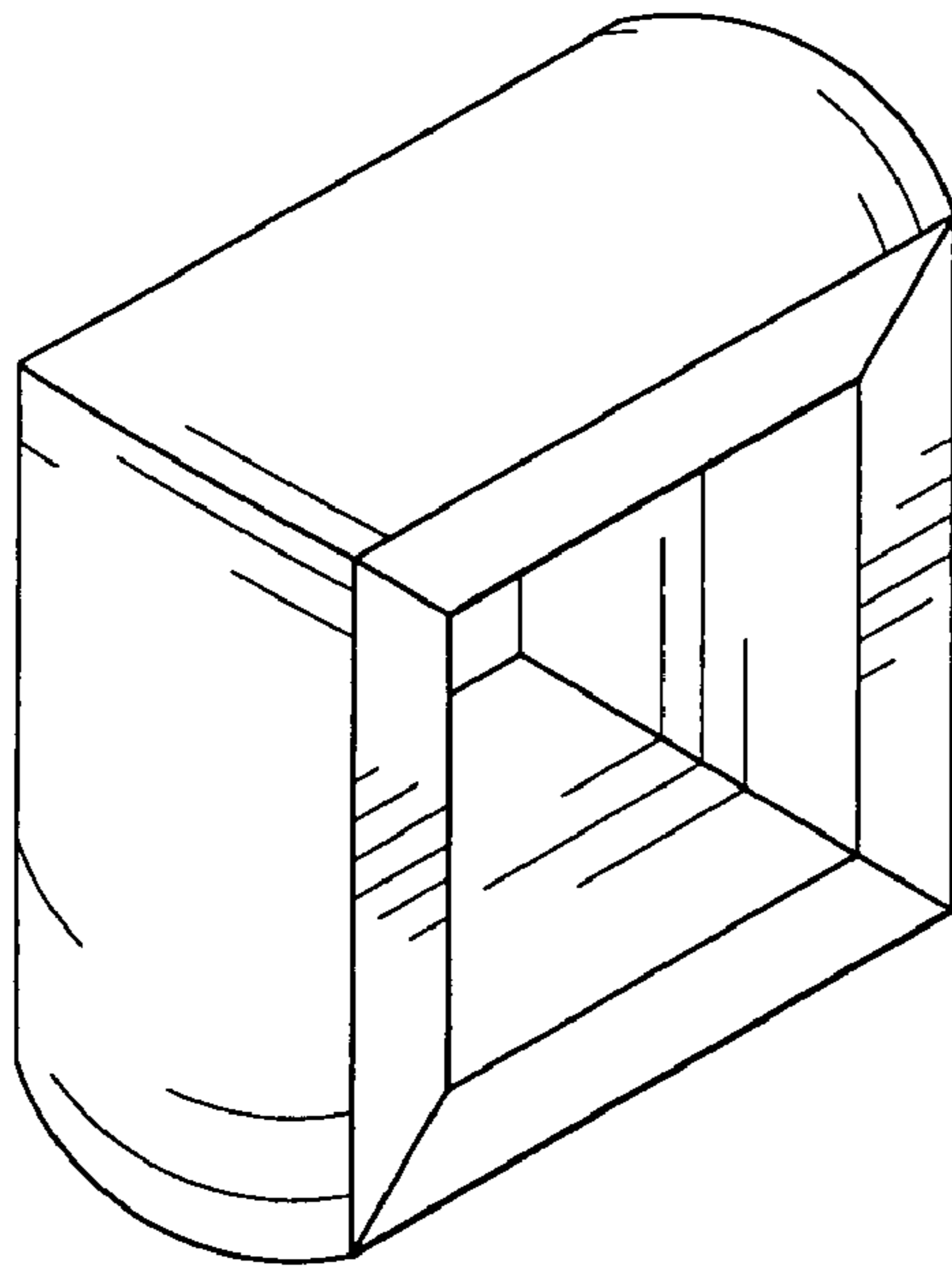


Fig-1

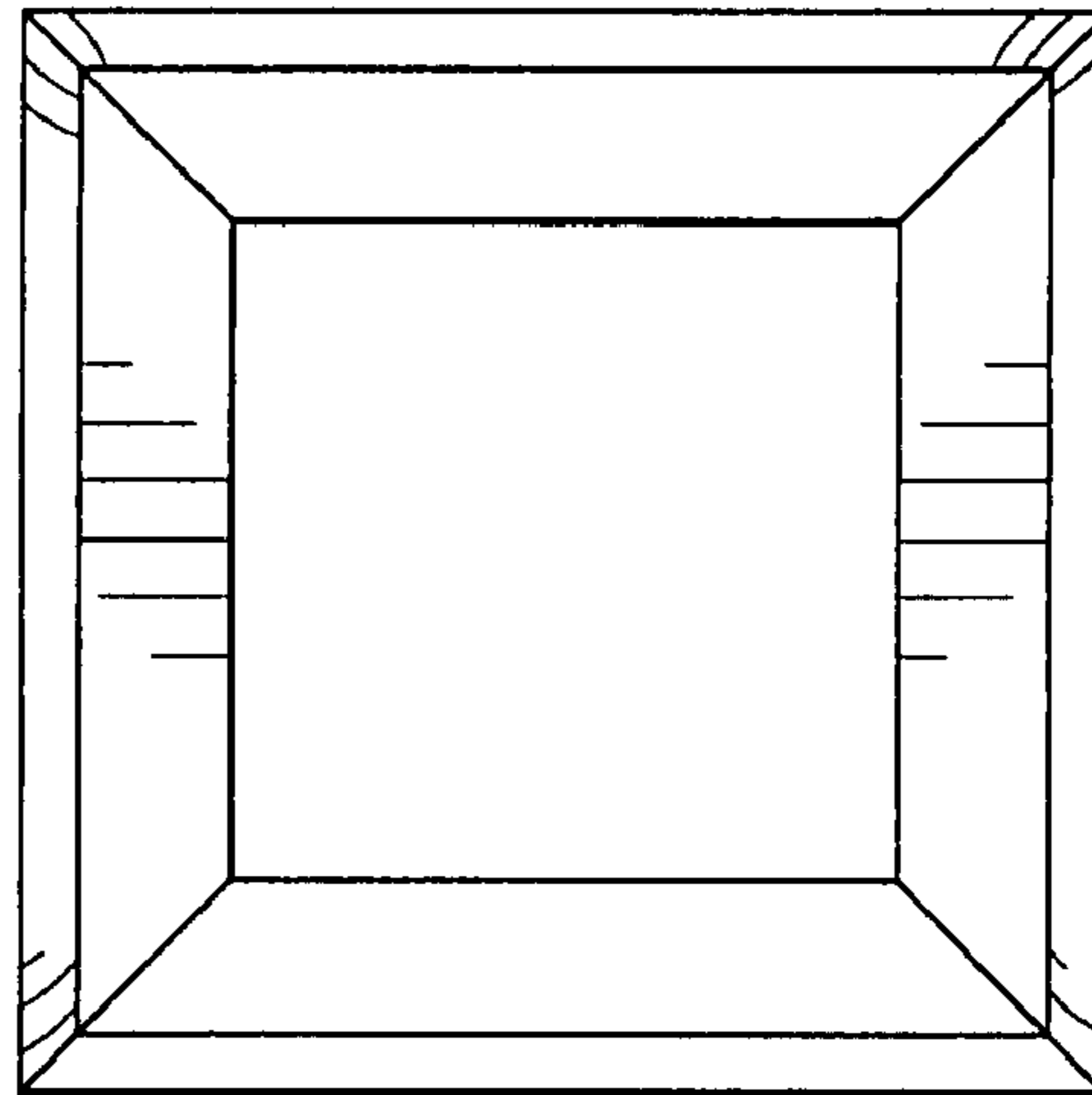


Fig-2

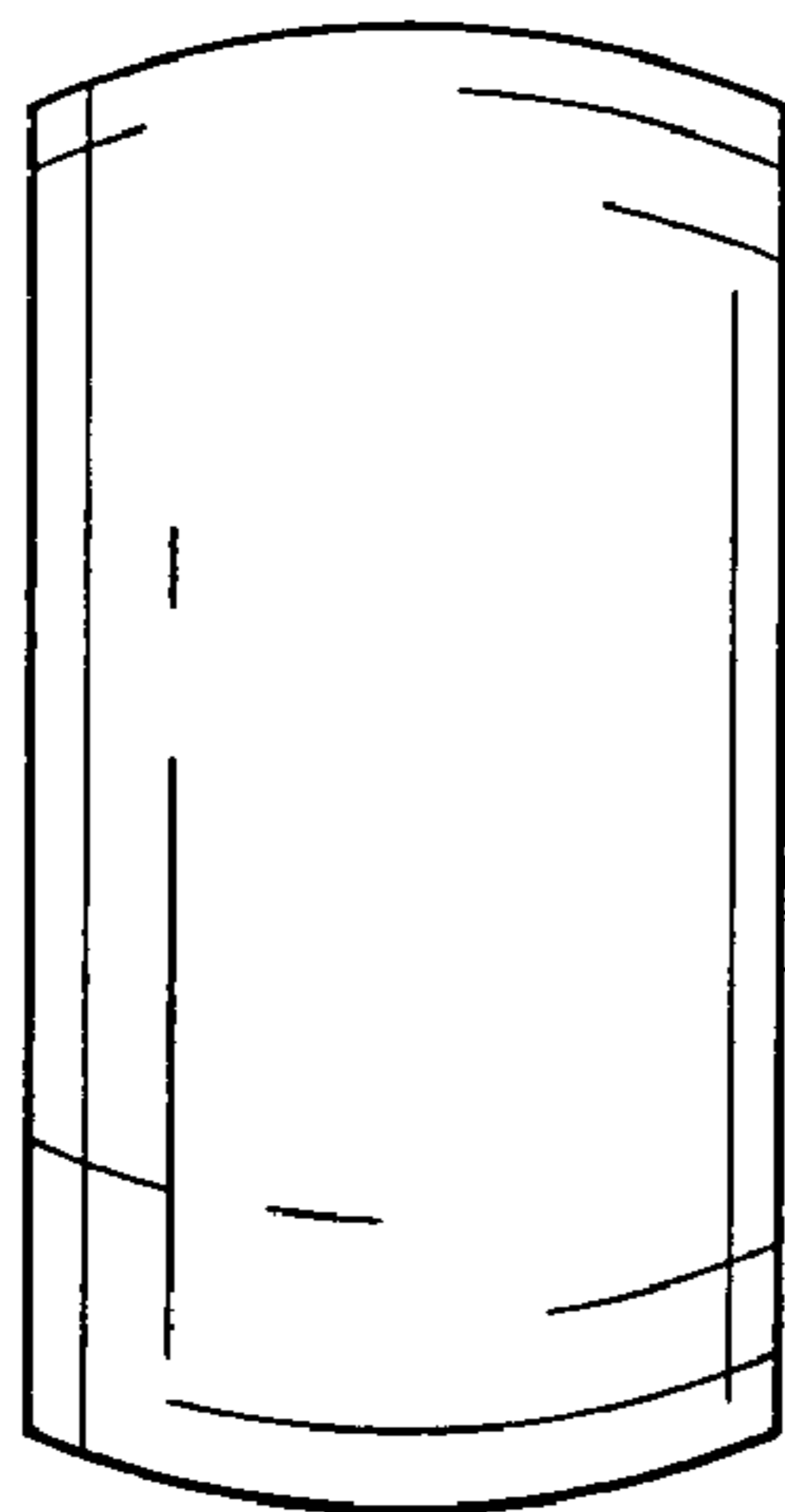


Fig-3