



US00D600939S

(12) **United States Design Patent**
Natuzzi

(10) **Patent No.:** **US D600,939 S**

(45) **Date of Patent:** **** Sep. 29, 2009**

(54) **SOFA**

(75) Inventor: **Pasquale Natuzzi**, Bari (IT)

(73) Assignee: **Natuzzi S.p.A.** (IT)

(**) Term: **14 Years**

(21) Appl. No.: **29/335,097**

(22) Filed: **Apr. 8, 2009**

(30) **Foreign Application Priority Data**

Oct. 8, 2008 (EM) 001017412-0018

(51) **LOC (9) Cl.** **06-01**

(52) **U.S. Cl.** **D6/381**

(58) **Field of Classification Search** D6/334,
D6/349, 355, 364, 370, 374, 378, 381, 382,
D6/383, 491, 495, 500-503; 297/68, 232,
297/233, 353, 445.1, 448.1, 448.2, DIG. 7;
5/12.1, 12.2

See application file for complete search history.

(56) **References Cited**

U.S. PATENT DOCUMENTS

D429,081 S * 8/2000 Gomez D6/381
D470,672 S * 2/2003 Natuzzi et al. D6/381
D477,472 S * 7/2003 Bauchet D6/381

D479,409 S * 9/2003 Nicoletti D6/381
D487,644 S * 3/2004 Natuzzi D6/381
D493,296 S * 7/2004 Nicoletti D6/381
D526,808 S * 8/2006 Natri D6/381
D552,871 S * 10/2007 Natuzzi D6/381
D554,387 S * 11/2007 Nicoletti D6/381
D565,858 S * 4/2008 Natuzzi D6/381

* cited by examiner

Primary Examiner—Sandra Snapp

(74) *Attorney, Agent, or Firm*—St. Onge Steward Johnston & Reens LLC

(57) **CLAIM**

The ornamental design for a sofa, as shown and described.

DESCRIPTION

FIG. 1 is a front perspective view of a Sofa in accordance with the new design;

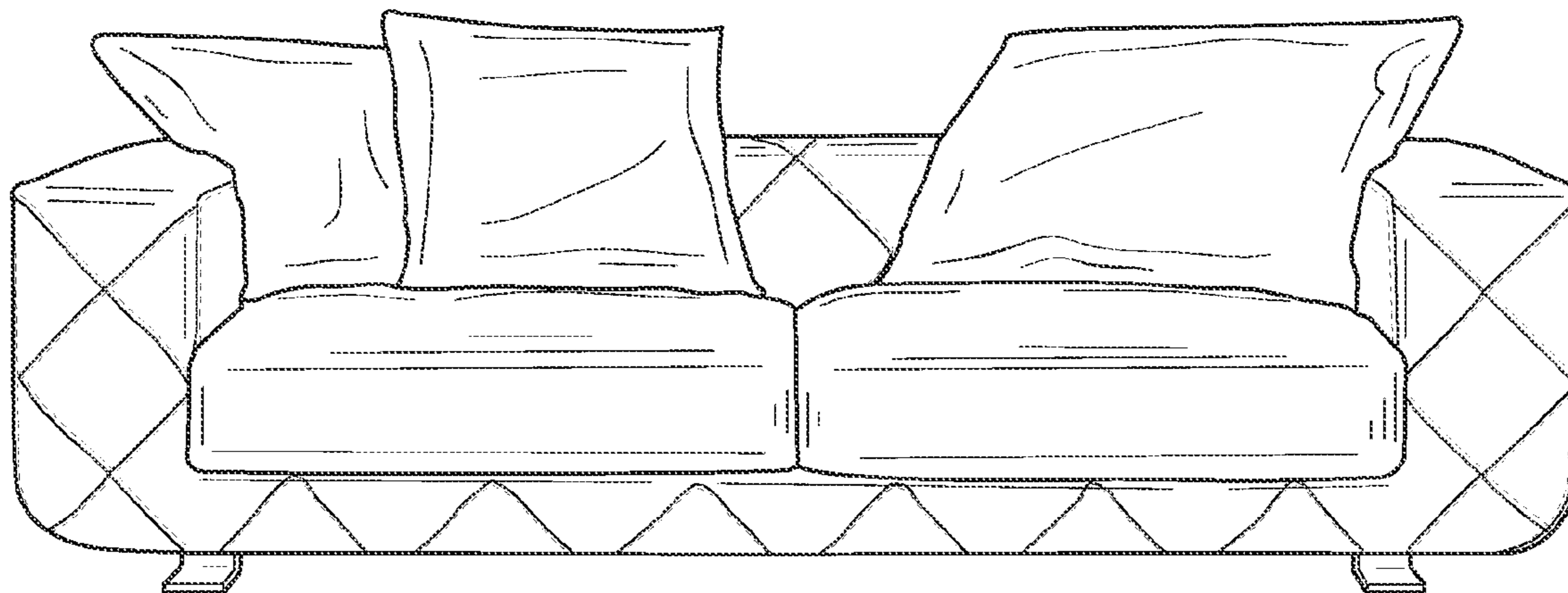
FIG. 2 is a top perspective view thereof;

FIG. 3 is a side perspective view, an opposite side perspective view being a mirror image thereof; and,

FIG. 4 is a back perspective view thereof.

Broken lines shown on the sofa are understood to represent stitching.

1 Claim, 2 Drawing Sheets



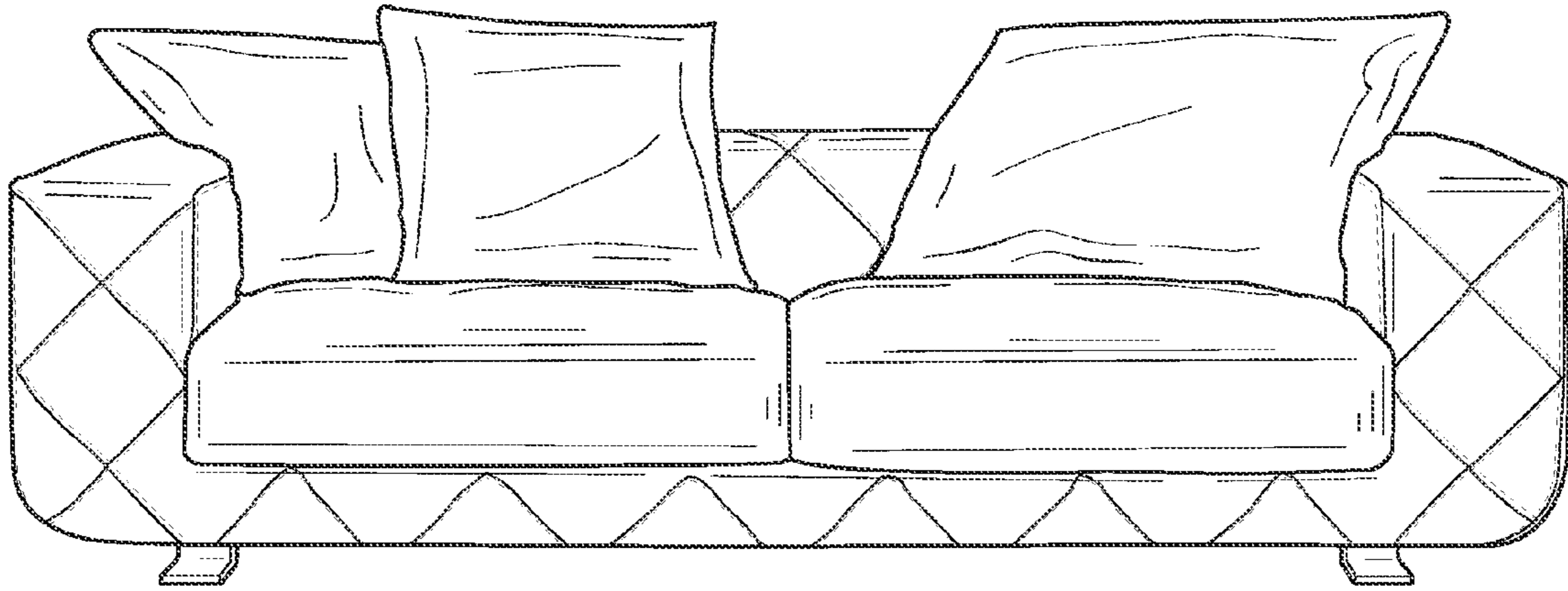


FIG. 1

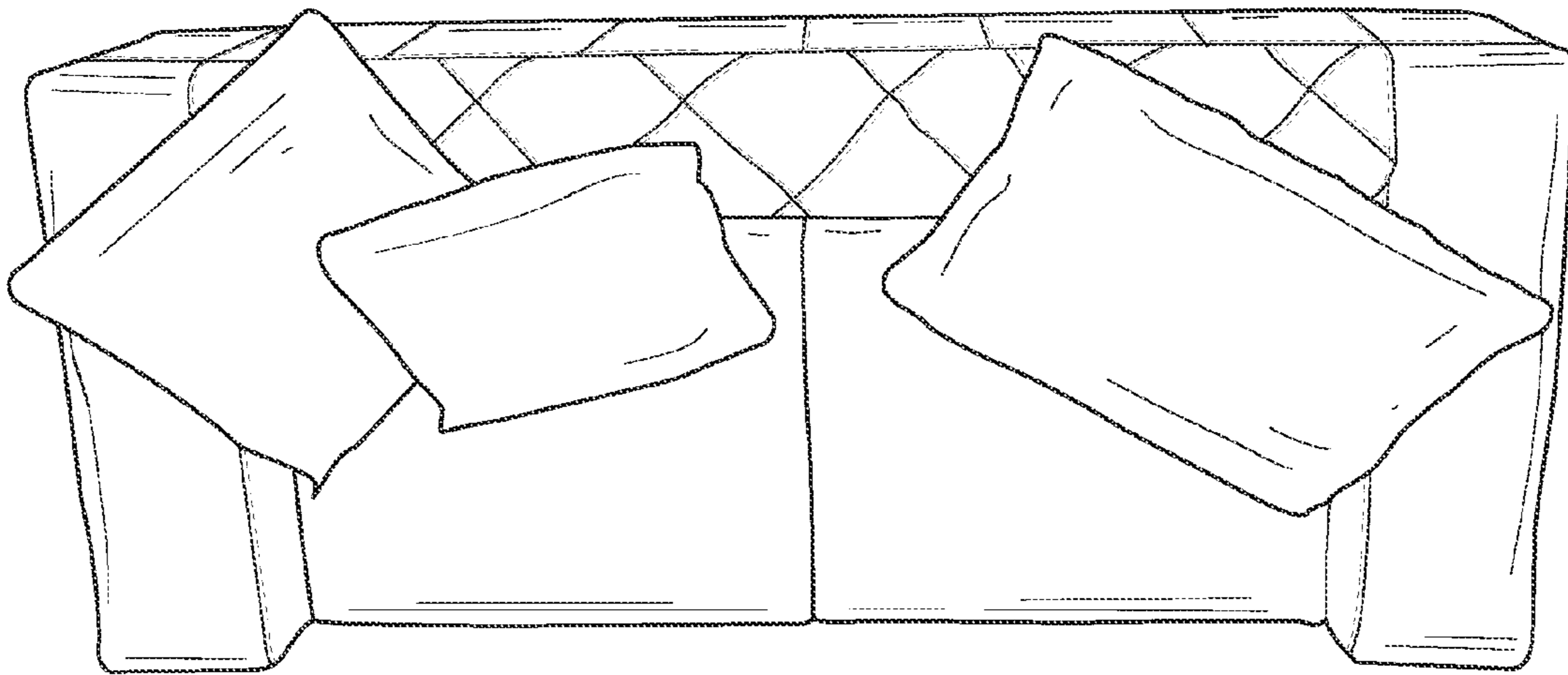


FIG. 2

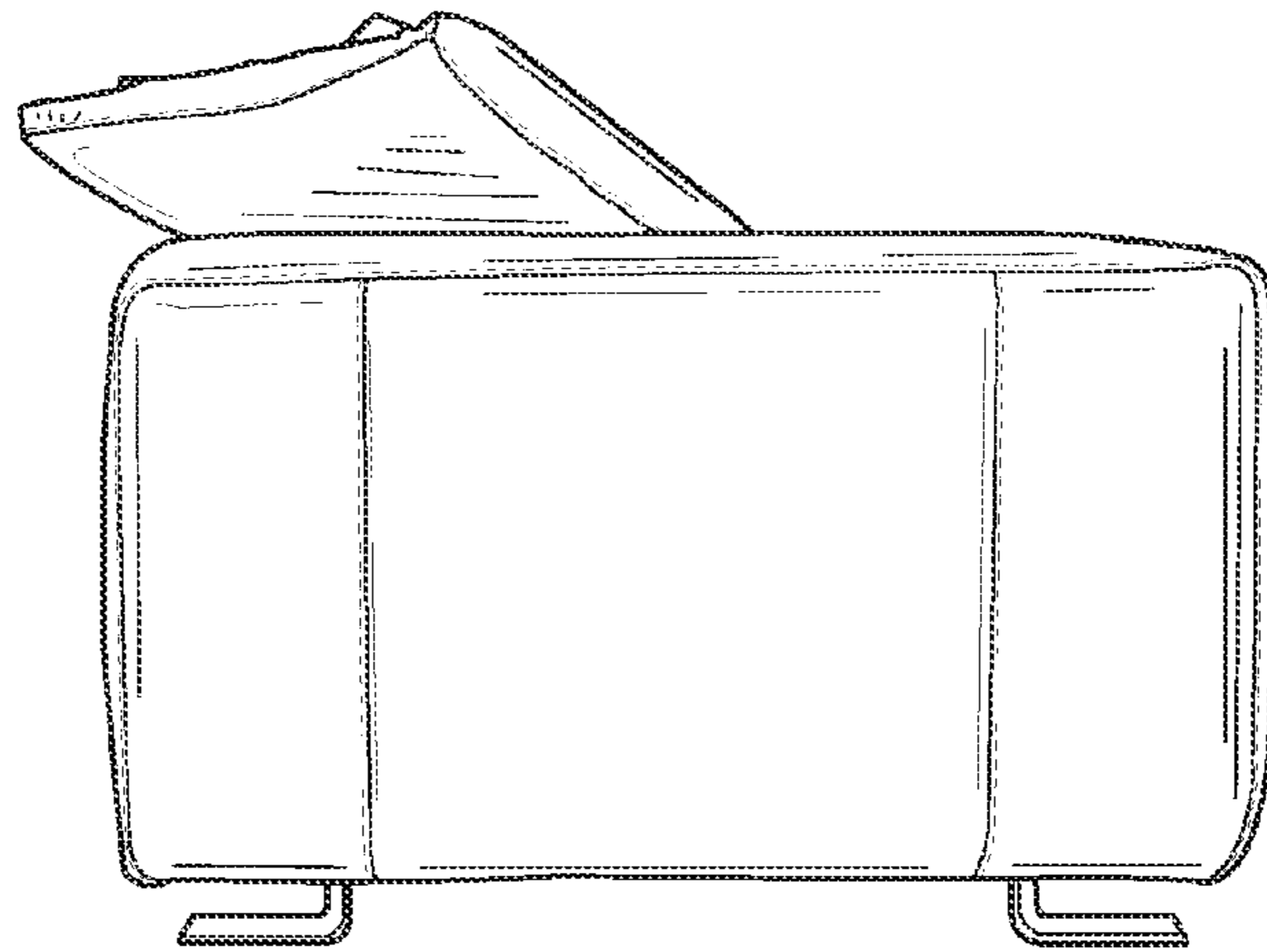


FIG. 3

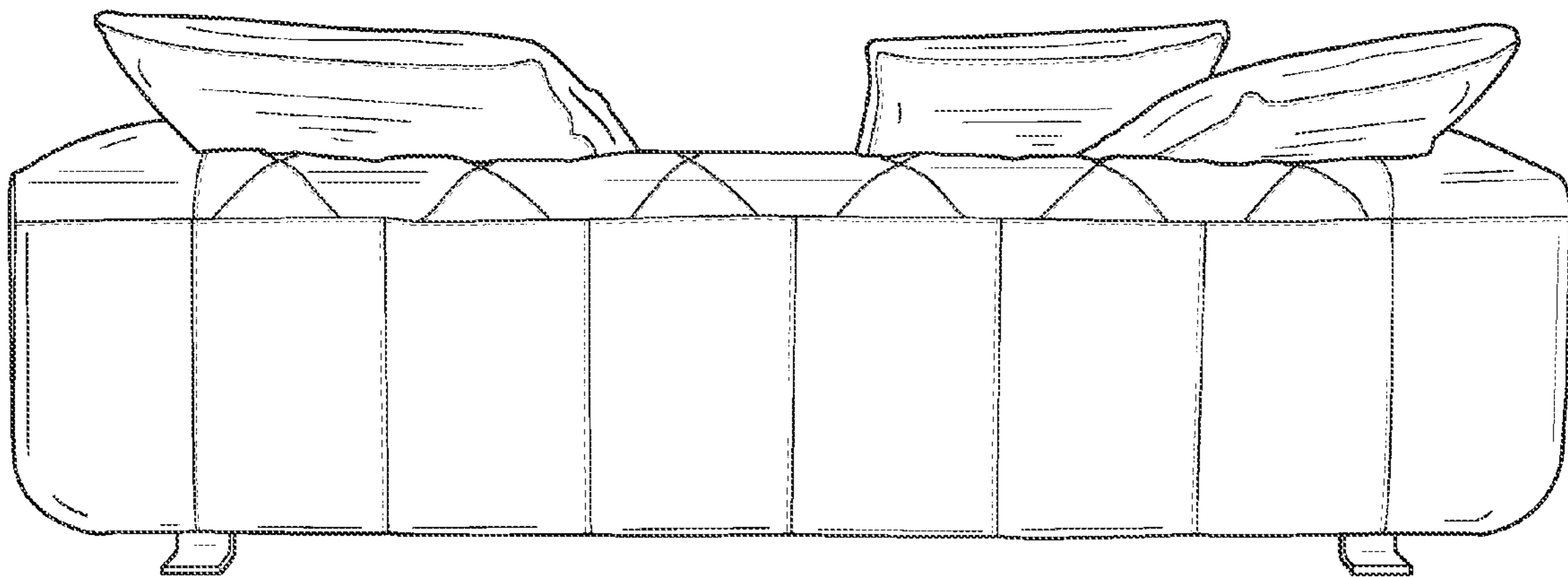


FIG. 4