



US00D600936S

(12) **United States Design Patent**  
**Koh**

(10) **Patent No.:** **US D600,936 S**

(45) **Date of Patent:** **\*\* Sep. 29, 2009**

(54) **CHAIR**

(76) Inventor: **Tuang-Hock Koh**, No. 42, 37th Road,  
Taichung Industrial Park, Taichung City  
(TW) 40768

(\*\*) Term: **14 Years**

(21) Appl. No.: **29/333,141**

(22) Filed: **Mar. 4, 2009**

(51) **LOC (9) Cl.** ..... **06-01**

(52) **U.S. Cl.** ..... **D6/376; D6/380**

(58) **Field of Classification Search** ..... D6/334-336,  
D6/364, 365, 366, 367, 369, 372-374, 376,  
D6/379, 380, 500-502; 297/239, 445.1,  
297/446.1, 448.1, 452.2, 452.46  
See application file for complete search history.

(56) **References Cited**

**U.S. PATENT DOCUMENTS**

5,454,623 A \* 10/1995 Parks ..... 297/452.46  
D456,164 S \* 4/2002 Vanderiet et al. .... D6/374  
D505,801 S \* 6/2005 Cesaroni et al. .... D6/379  
D513,457 S \* 1/2006 Asano et al. .... D6/380

D561,485 S \* 2/2008 Hock ..... D6/379  
D575,542 S \* 8/2008 Igarashi ..... D6/380  
D586,577 S \* 2/2009 Koh ..... D6/376  
2008/0315645 A1\* 12/2008 Hock ..... 297/239  
2008/0315646 A1\* 12/2008 Hock ..... 297/239

\* cited by examiner

*Primary Examiner*—Mimosa De

(57) **CLAIM**

The ornamental design for a chair, as shown (and described).

**DESCRIPTION**

FIG. 1 is a perspective view of a chair showing my new design;

FIG. 2 is a front elevational view thereof;

FIG. 3 is a rear elevational view thereof;

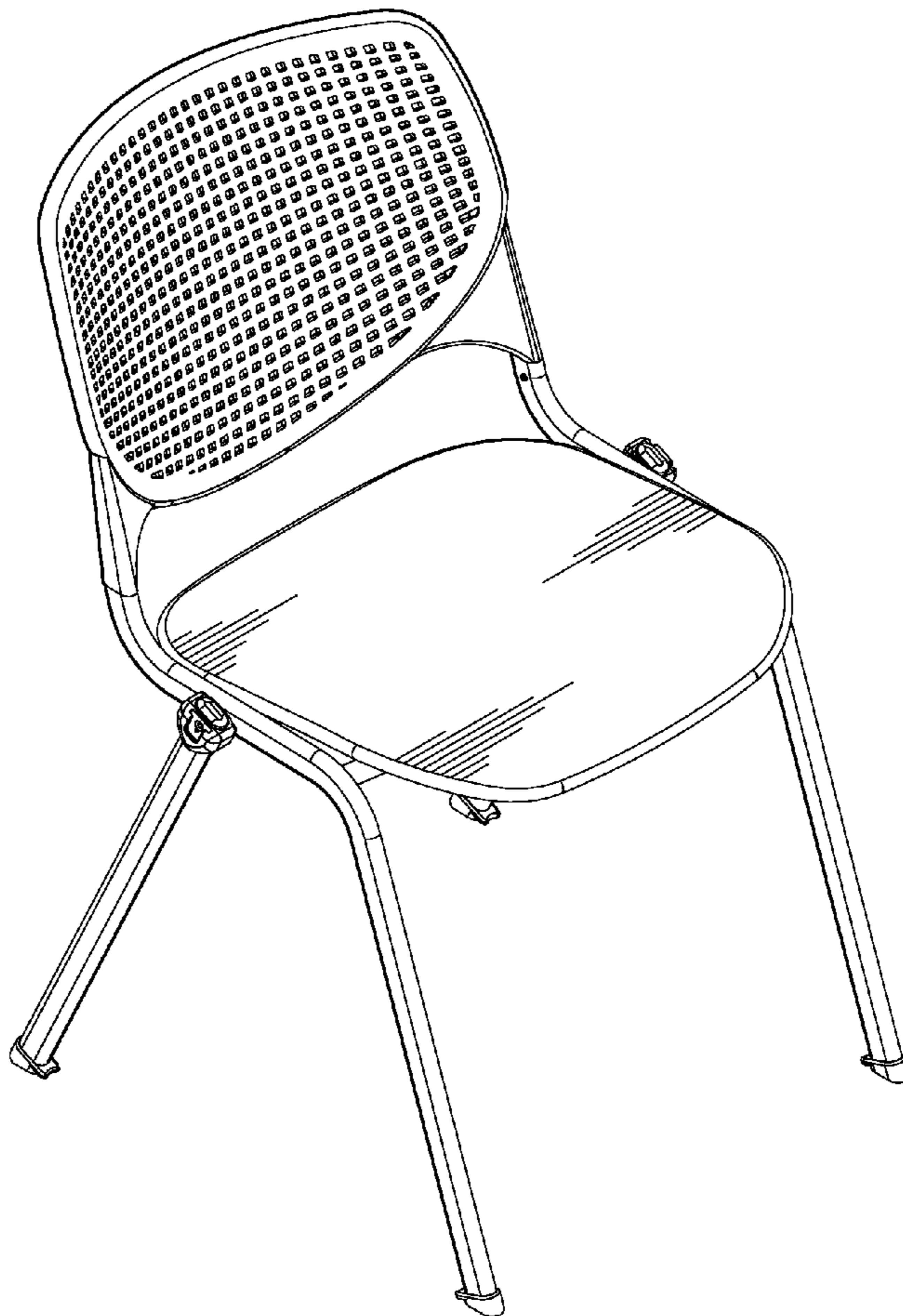
FIG. 4 is a left side view thereof;

FIG. 5 is a right side view thereof;

FIG. 6 is a top plan view thereof; and,

FIG. 7 is a bottom plan view thereof.

**1 Claim, 6 Drawing Sheets**



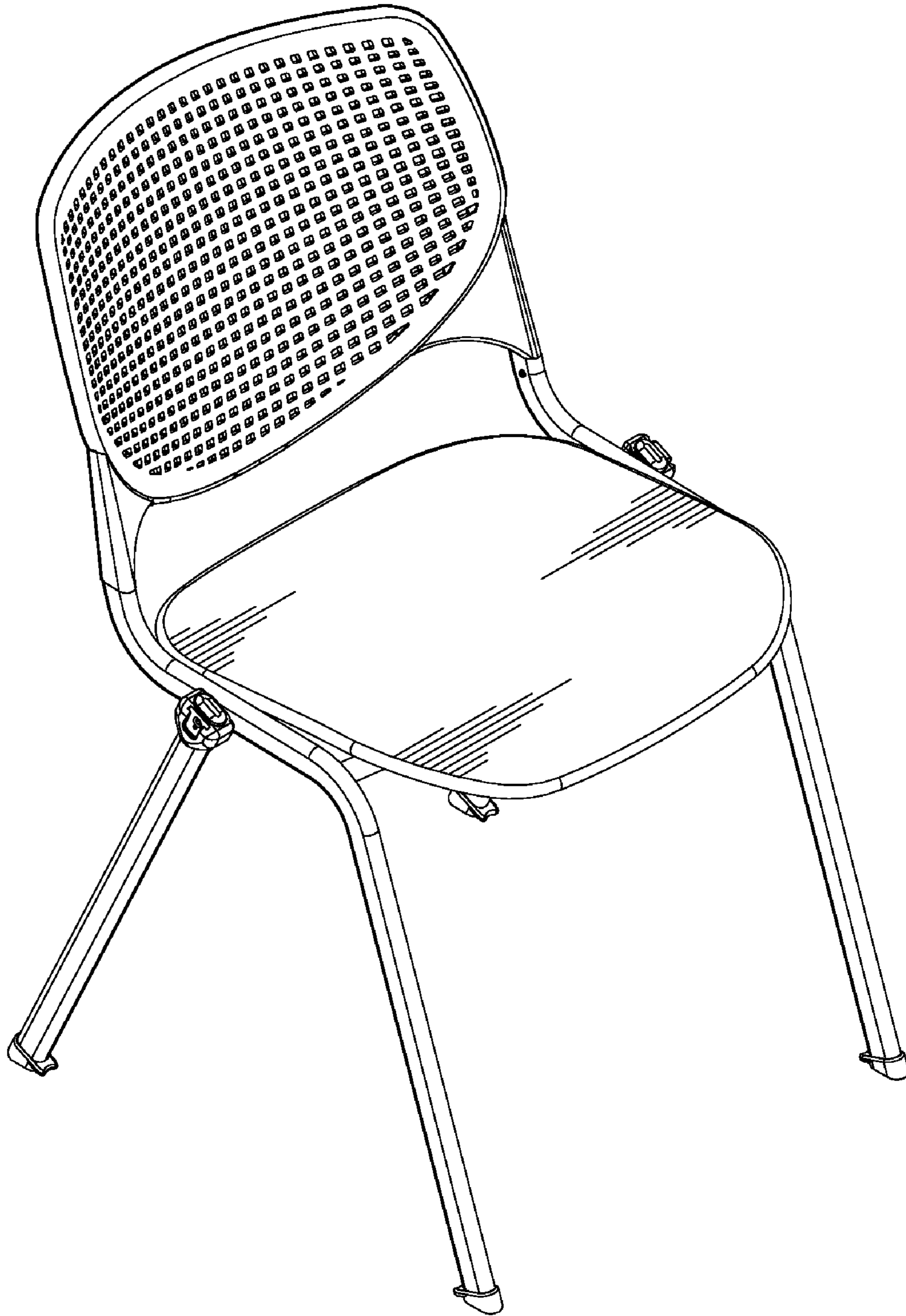


FIG. 1

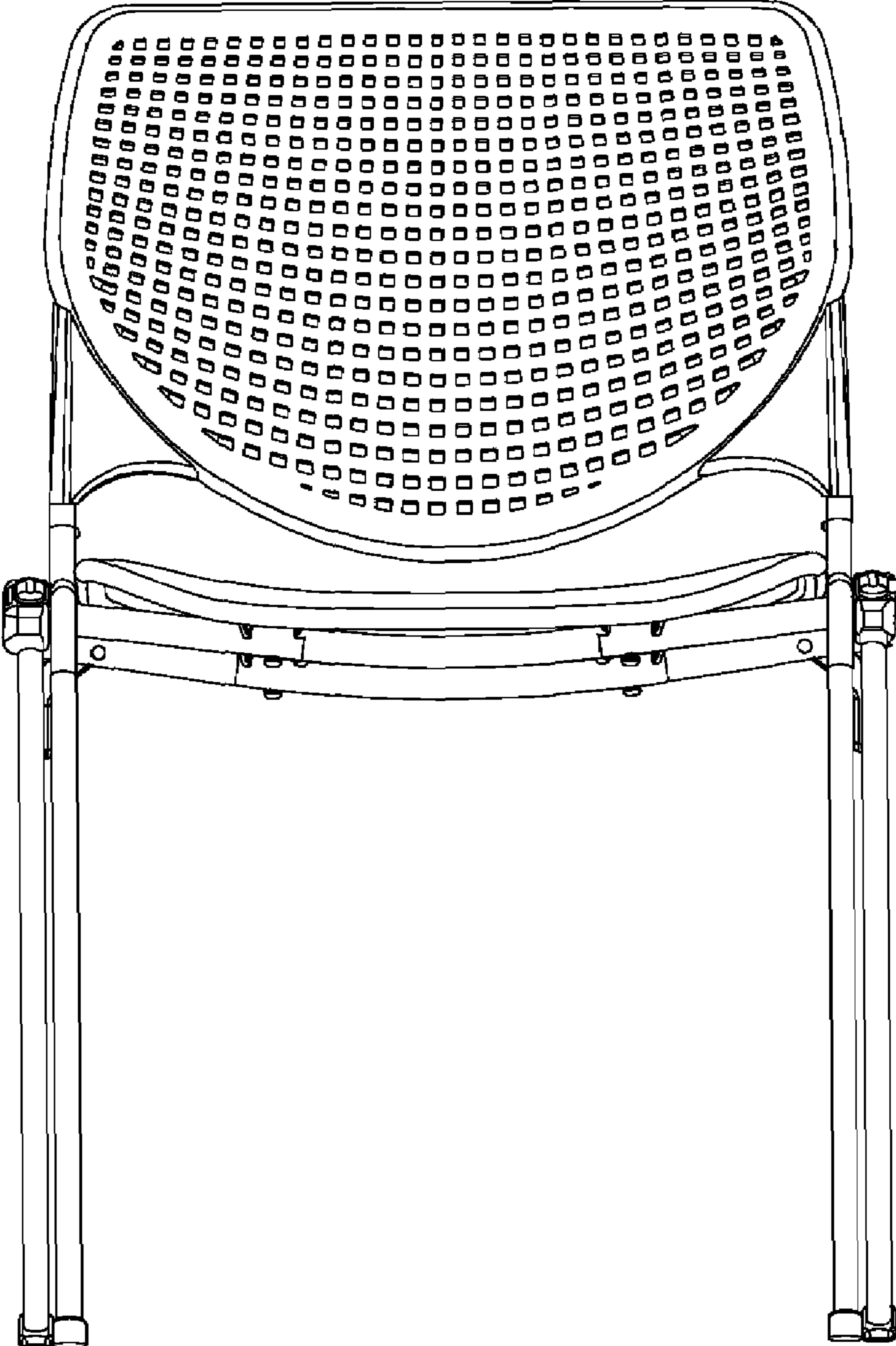


FIG. 2

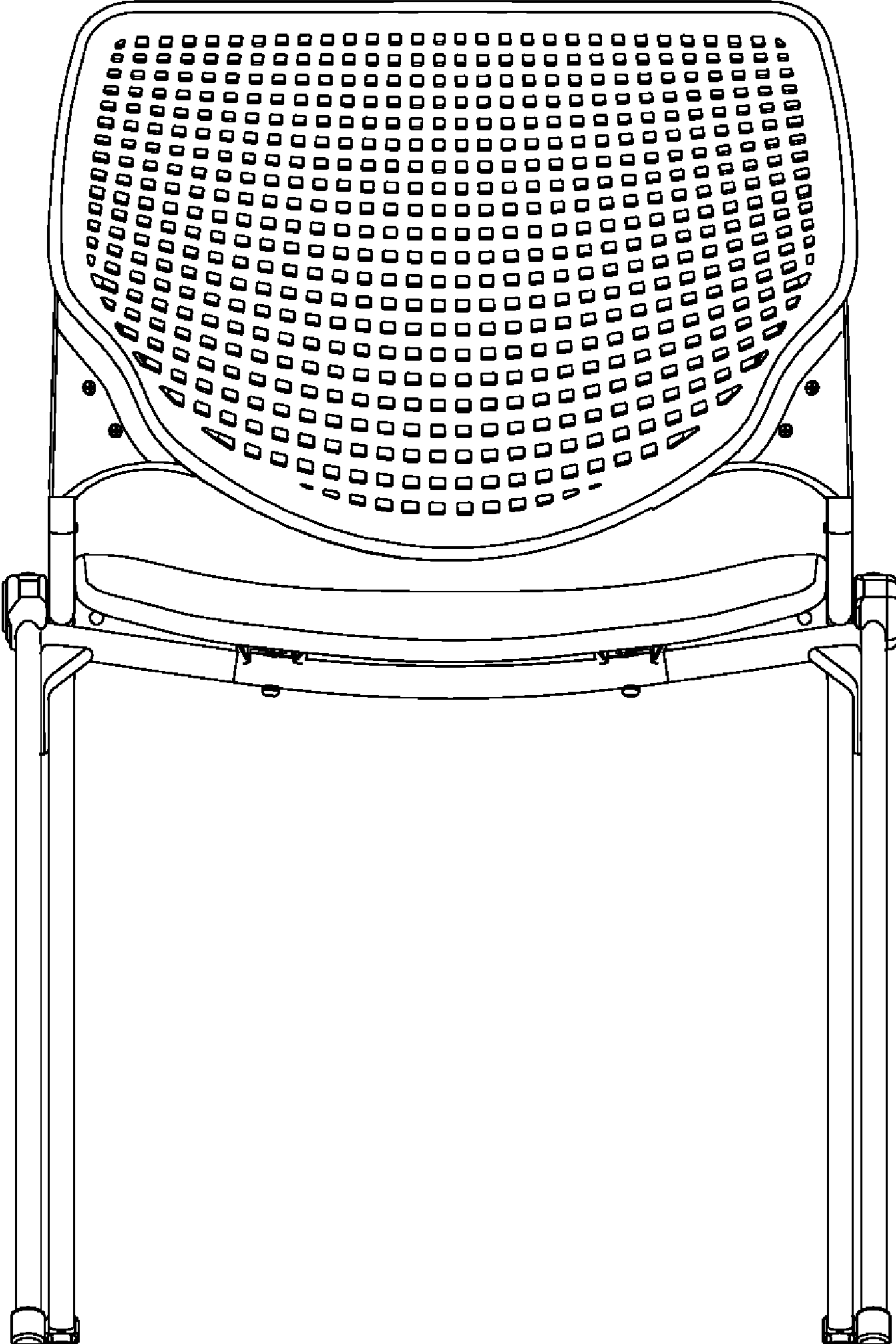


FIG. 3

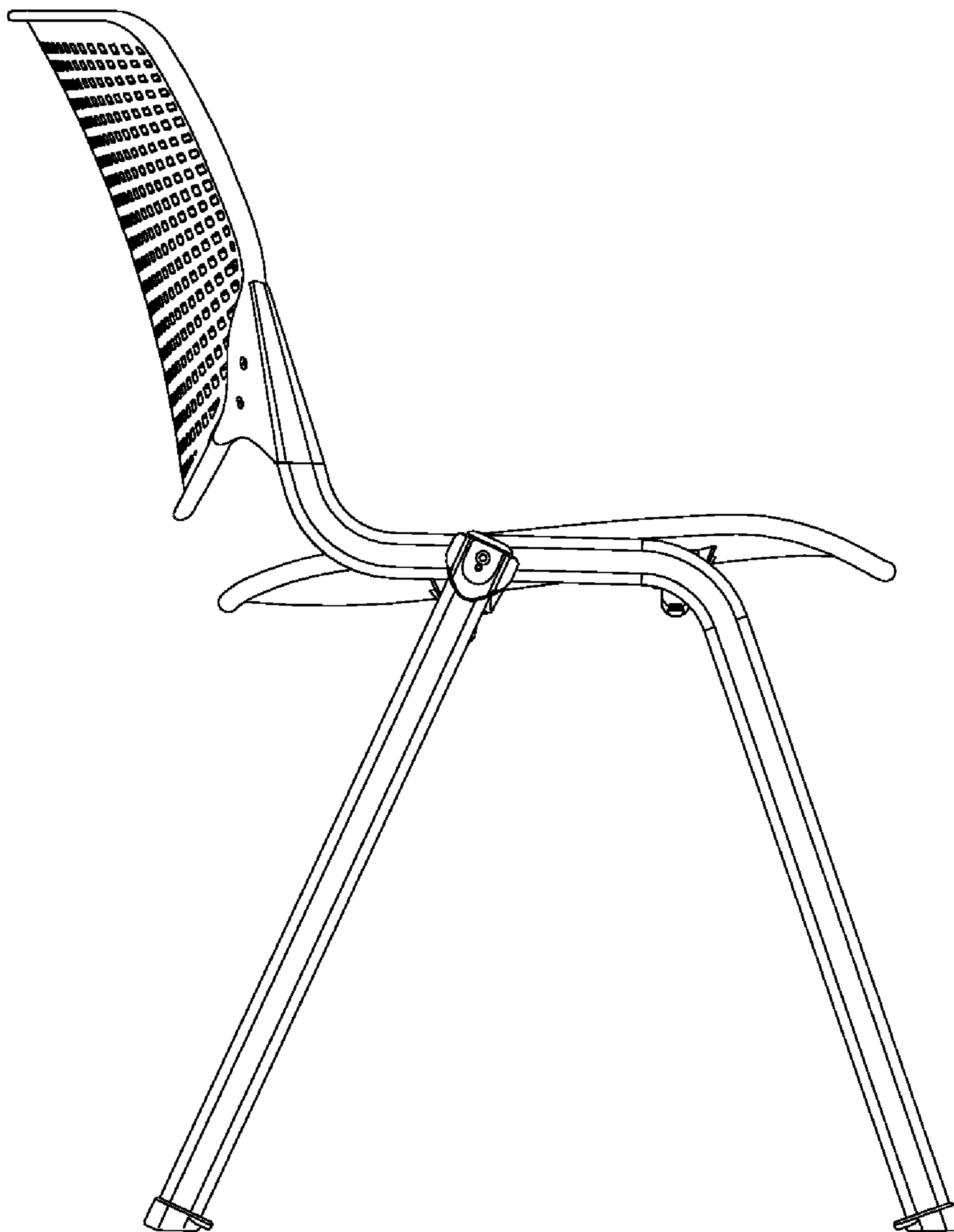


FIG. 4



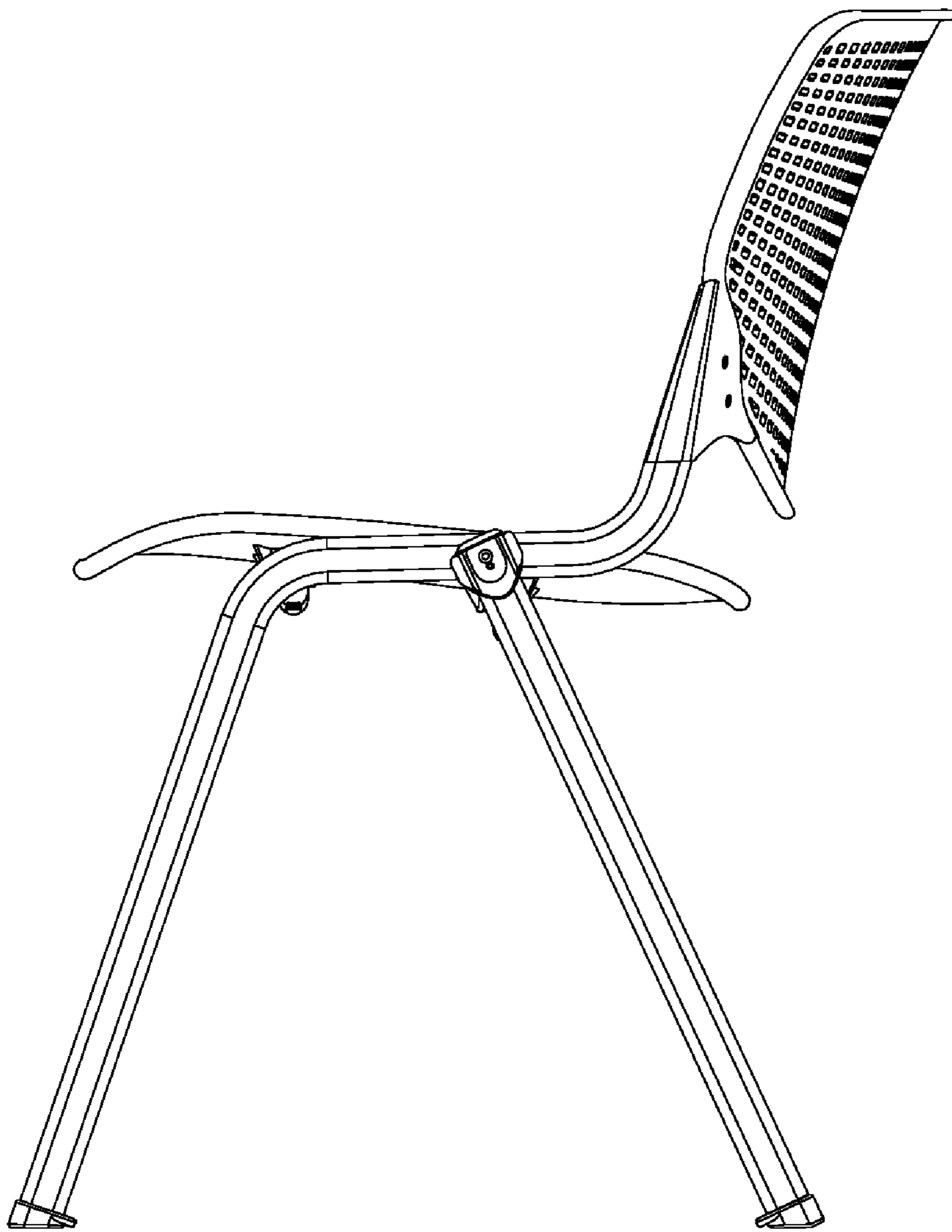


FIG. 5

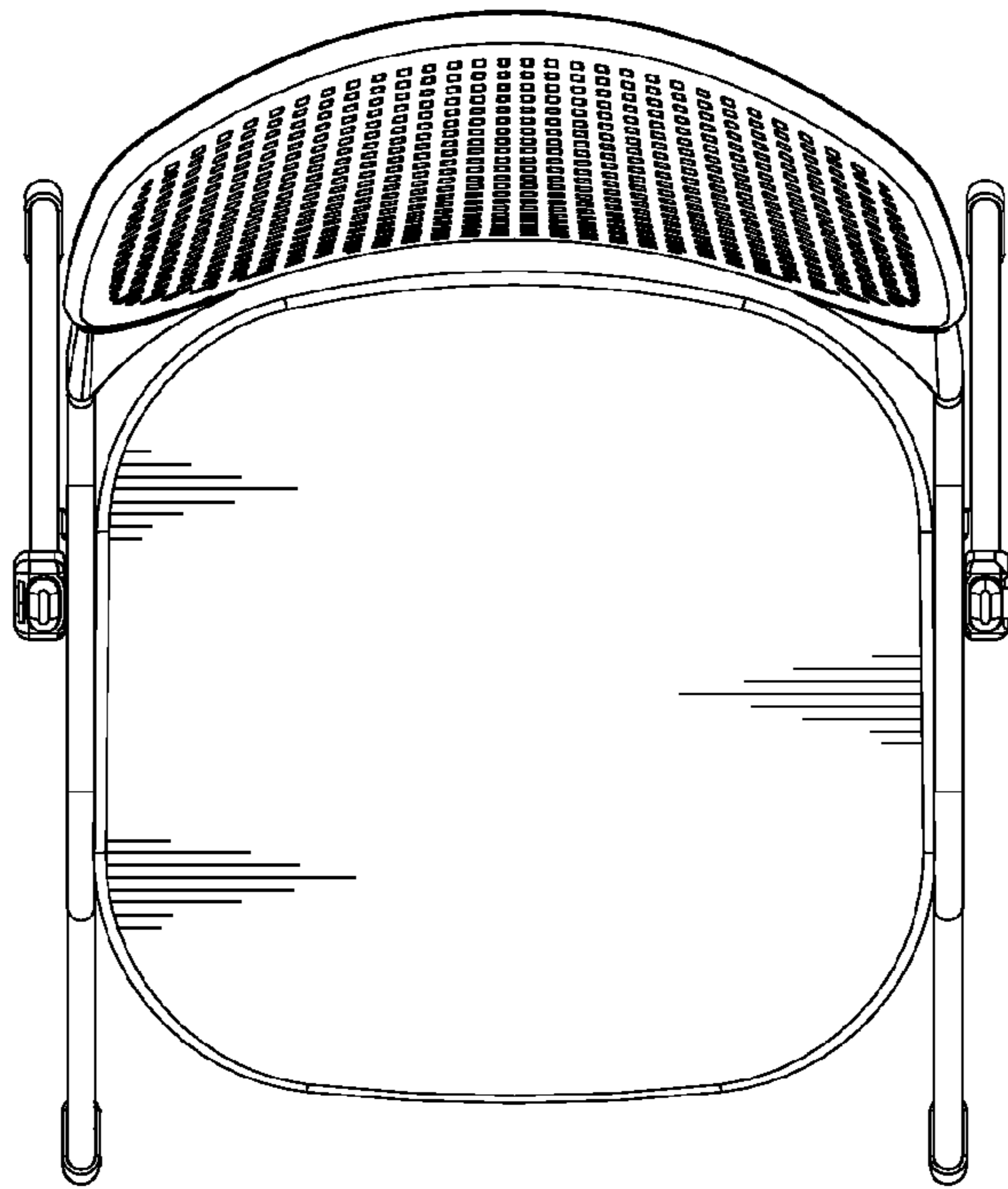


FIG. 6

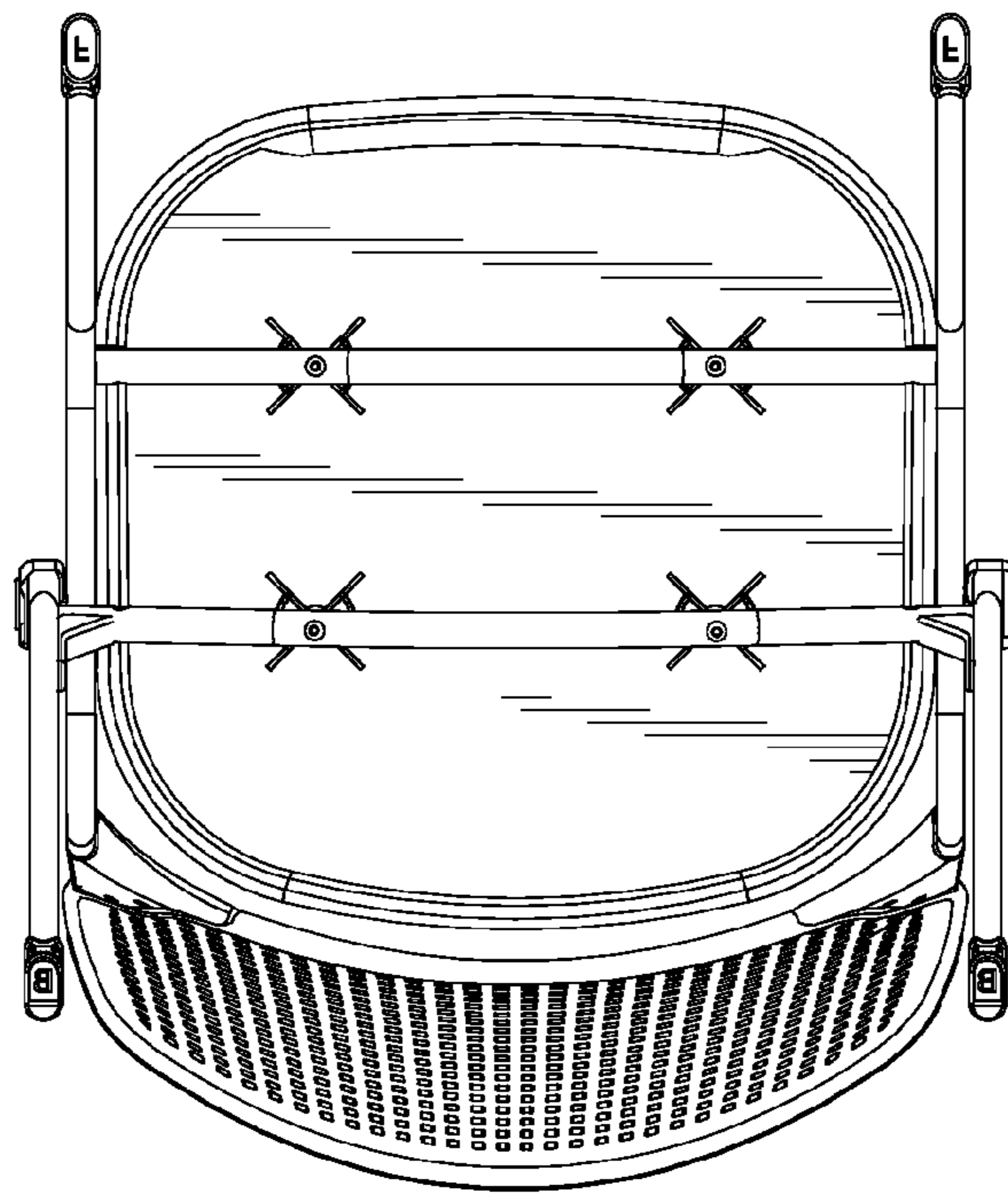


FIG. 7