



US00D600934S

(12) **United States Design Patent**
Woolley

(10) **Patent No.:** **US D600,934 S**

(45) **Date of Patent:** **** Sep. 29, 2009**

(54) **CHAIR**

(75) Inventor: **Jonathan David Woolley**, Preston (GB)

(73) Assignee: **Senator International Limited** (GB)

(**) Term: **14 Years**

(21) Appl. No.: **29/306,338**

(22) Filed: **Apr. 8, 2008**

(51) **LOC (9) Cl.** **06-01**

(52) **U.S. Cl.** **D6/375**

(58) **Field of Classification Search** D6/334-336,
D6/370, 374, 375, 376, 379, 380, 499, 500-502;
297/239, 445.1, 446.1, 448.1, 452.12, 452.19,
297/452.2, DIG. 2

See application file for complete search history.

(56) **References Cited**

U.S. PATENT DOCUMENTS

D390,026 S * 2/1998 Biecher D6/375

D422,158 S * 4/2000 Newhouse D6/375

D426,972 S * 6/2000 Bellini D6/375

D465,100 S * 11/2002 Savini D6/375

D492,131 S * 6/2004 Starck D6/375

D555,379 S * 11/2007 Ziliani D6/375

* cited by examiner

Primary Examiner—Mimosa De

(74) *Attorney, Agent, or Firm*—Salter & Michaelson

(57) **CLAIM**

The ornamental design for a chair, as shown and described.

DESCRIPTION

FIG. 1 is a front elevational view of a chair showing my new design;

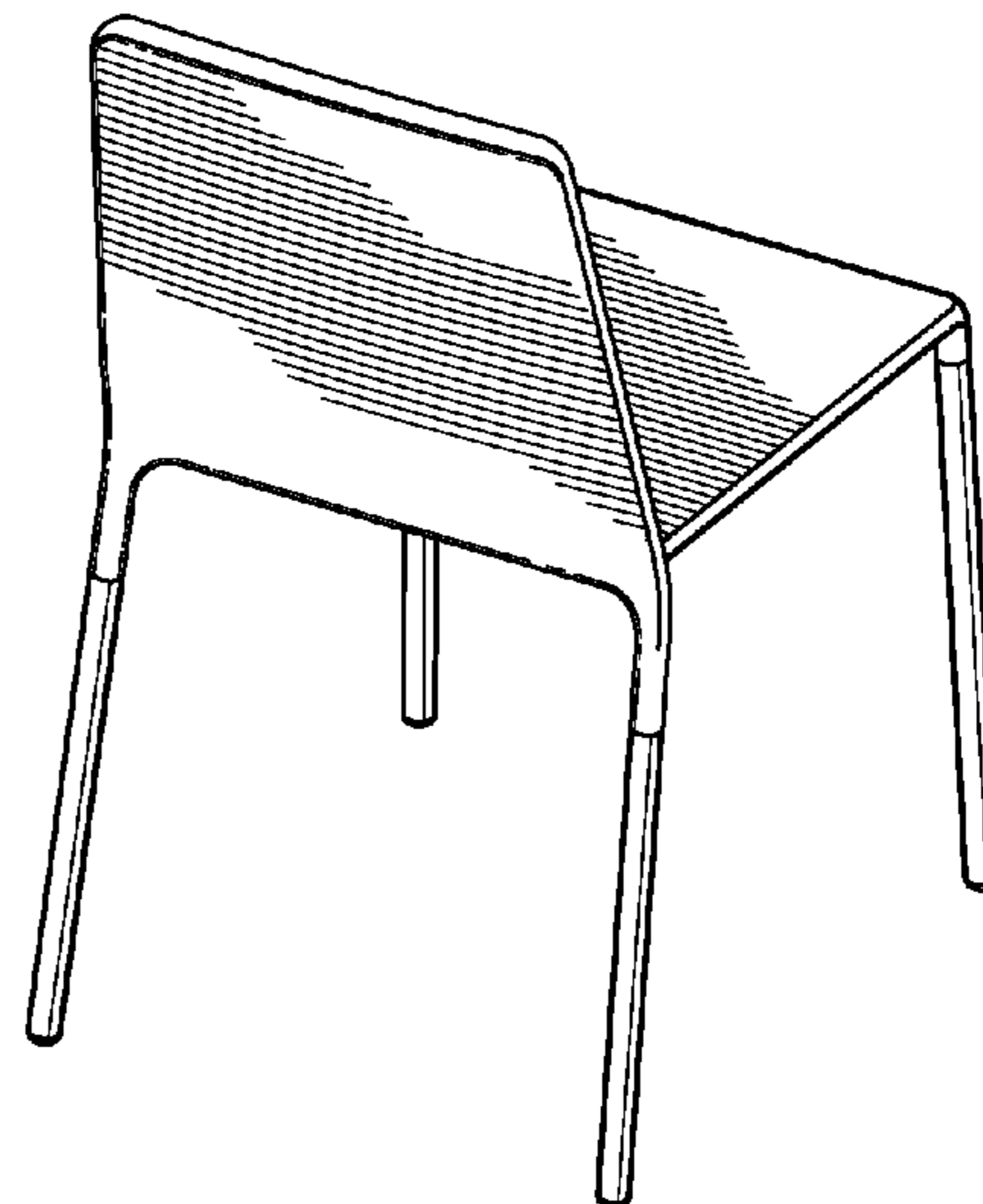
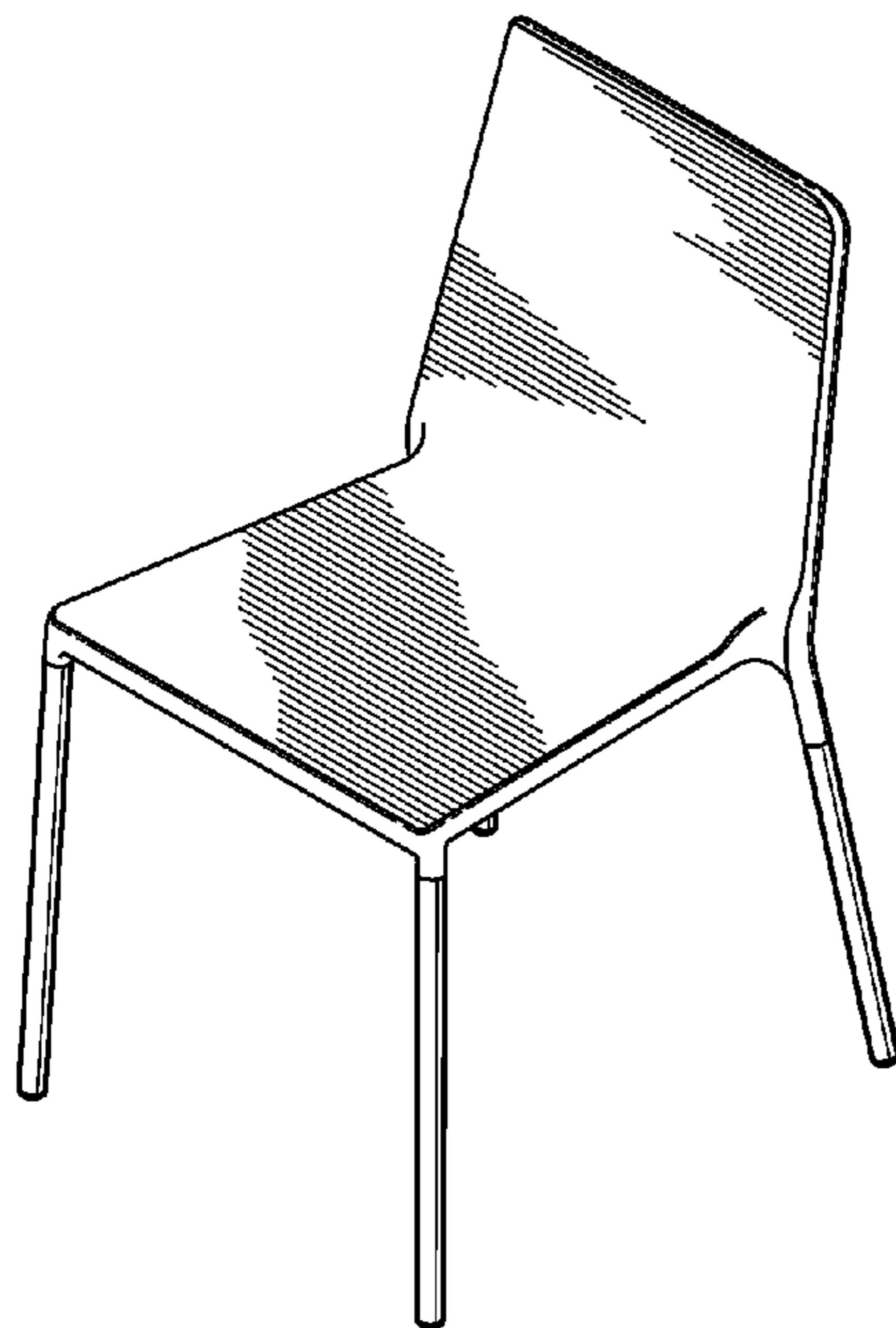
FIG. 2 is a side elevational view thereof, the opposite side being a mirror image thereof;

FIG. 3 is a top plan view thereof;

FIG. 4 is a front perspective view thereof; and,

FIG. 5 is a rear perspective view thereof.

1 Claim, 2 Drawing Sheets



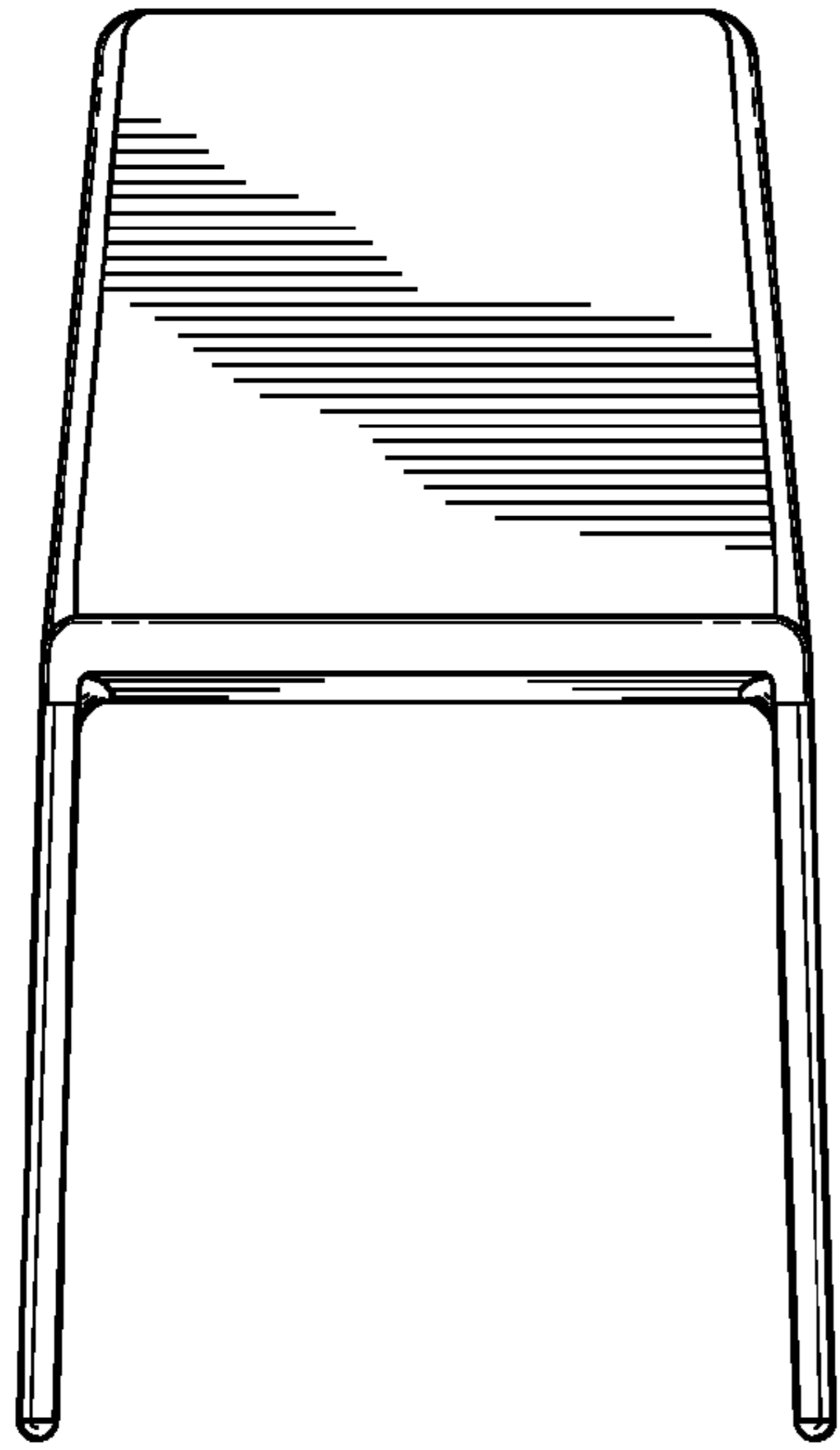


FIG. 1

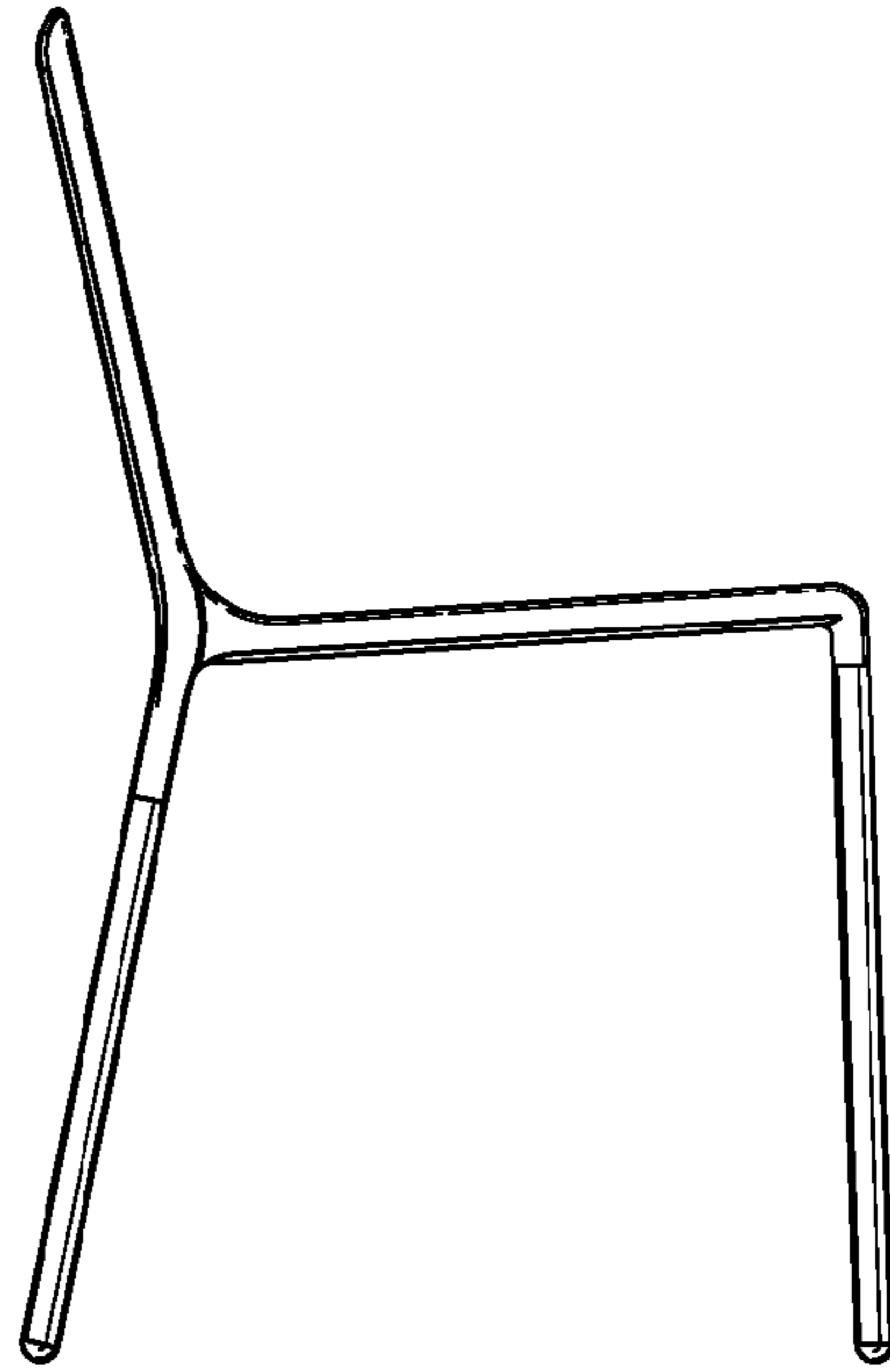


FIG. 2

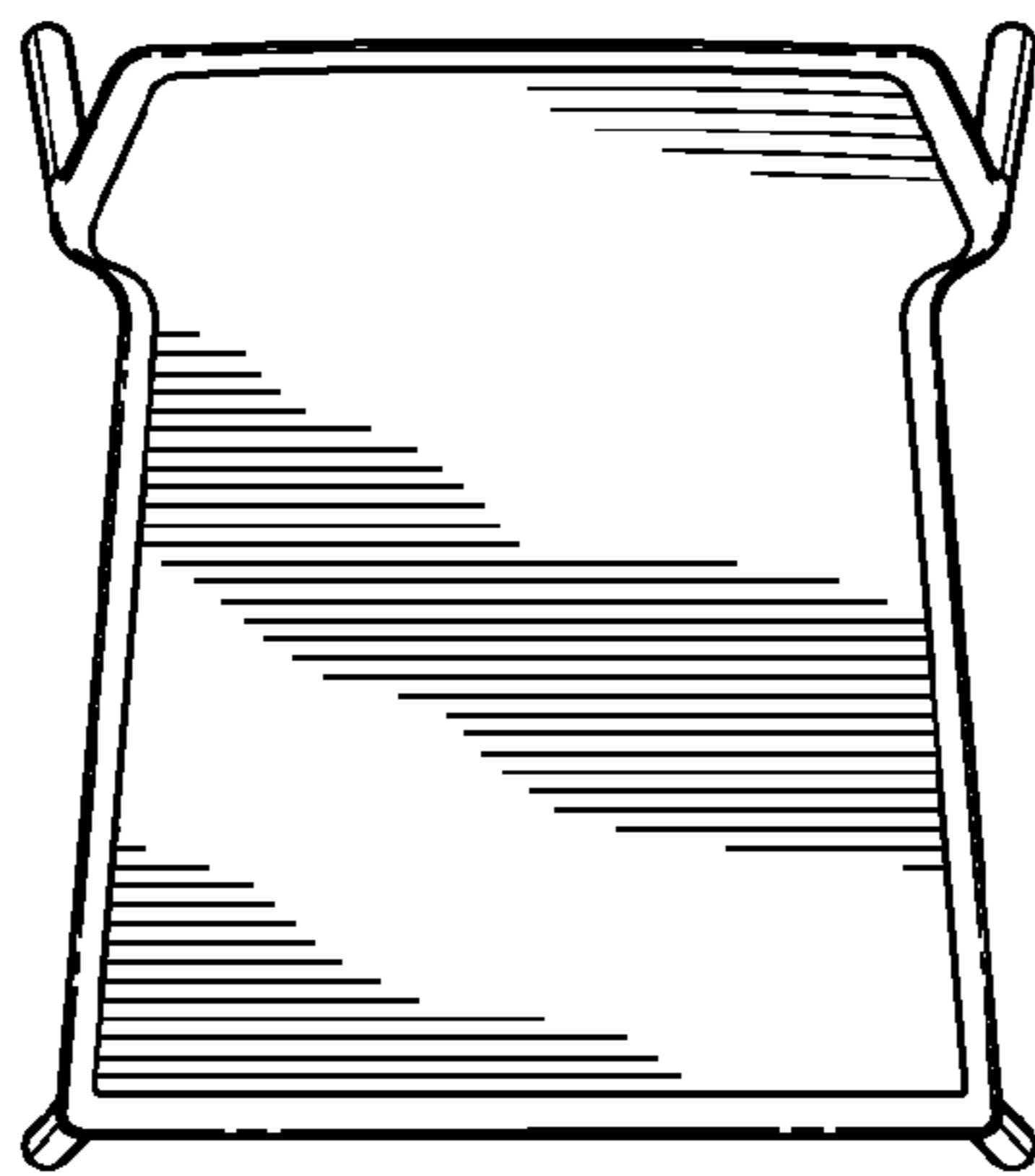


FIG. 3

FIG. 4

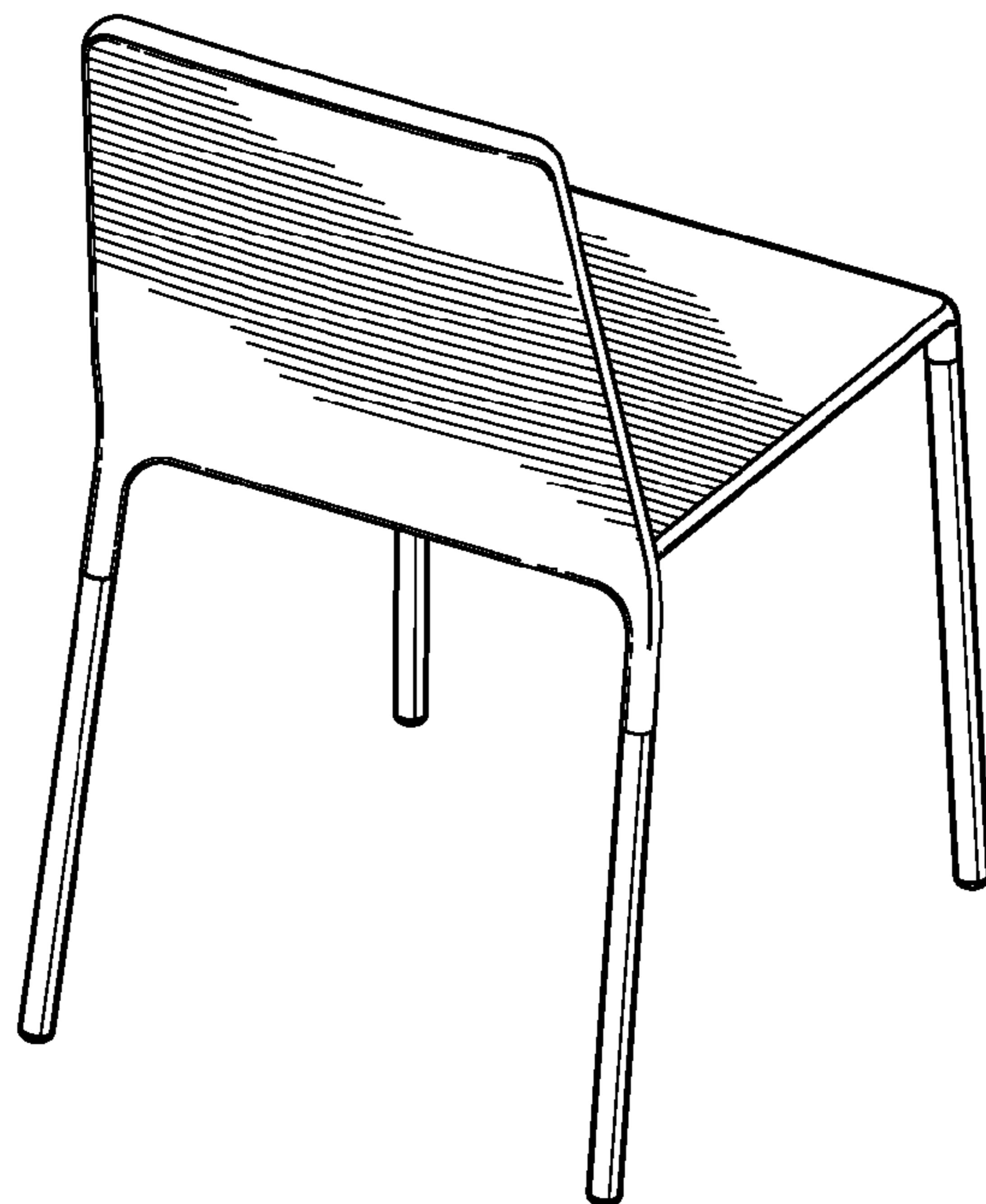
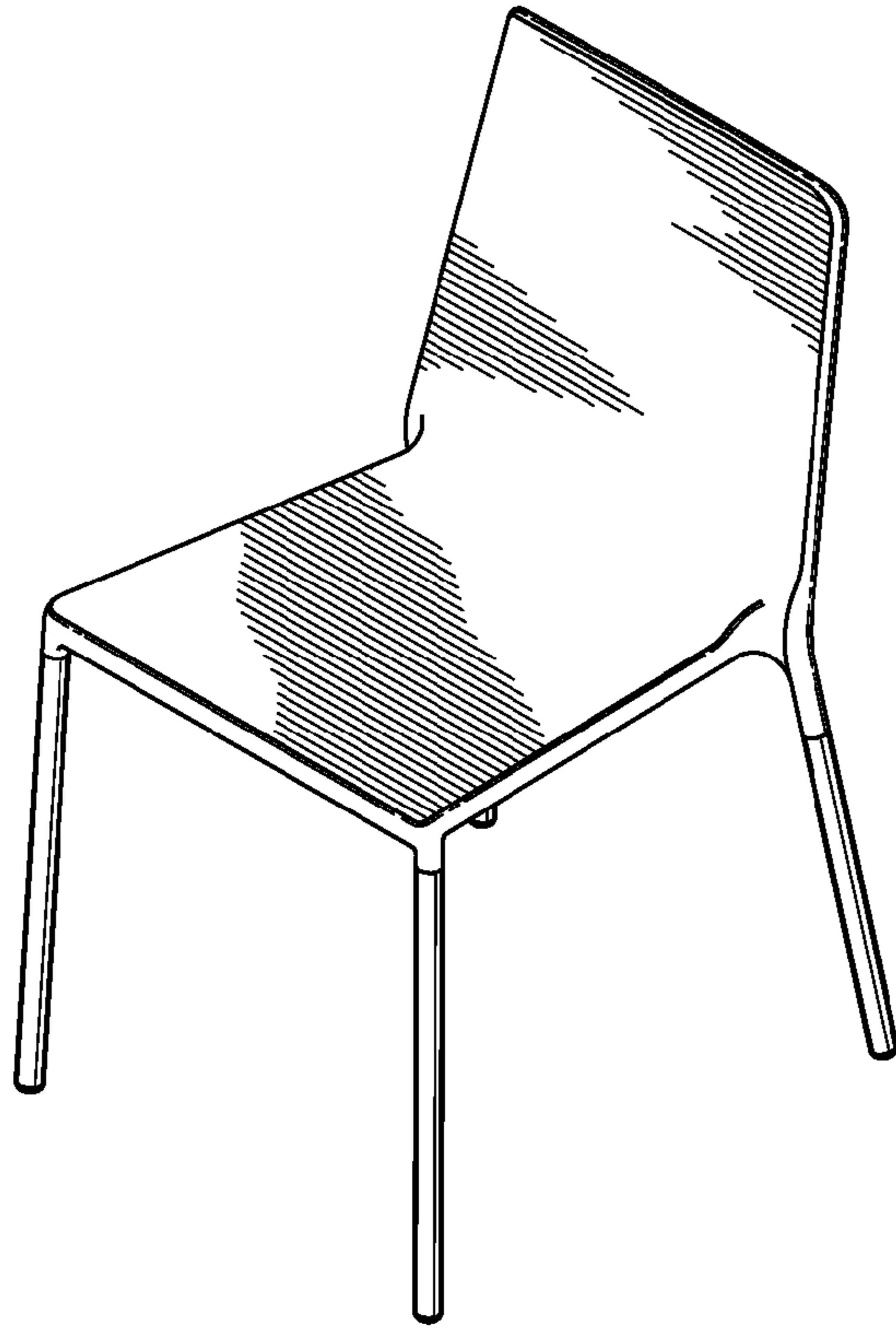


FIG. 5