



US00D600929S

(12) **United States Design Patent**
Kemnitzer

(10) **Patent No.:** **US D600,929 S**

(45) **Date of Patent:** **** Sep. 29, 2009**

(54) **STEP STOOL**

D273,252 S * 4/1984 Markson D6/353
D318,960 S * 8/1991 Lilly et al. D6/406.6
D579,680 S * 11/2008 Emert D6/353

(75) Inventor: **Jonathon Kemnitzer**, Kansas City, MO
(US)

* cited by examiner

(73) Assignee: **Cramer Inc.**, North Kansas City, MO
(US)

Primary Examiner—Sandra Snapp
(74) *Attorney, Agent, or Firm*—Schwegman, Lundberg &
Woessner, P.A.

(**) Term: **14 Years**

(21) Appl. No.: **29/305,164**

(57) **CLAIM**

(22) Filed: **Mar. 14, 2008**

The ornamental design for the step stool, as shown and described.

(51) **LOC (9) Cl.** **06-01**

(52) **U.S. Cl.** **D6/353**

(58) **Field of Classification Search** D6/330,
D6/335–338, 340, 349–355, 358, 359, 364,
D6/366, 376, 491, 495, 500–502; 297/16.1,
297/39, 46, 135, 140, 156, 158.3, 158.4,
297/175, 177, 187, 195.1, 195.11, 211, 245,
297/423.1, 423.16, 445.1, 461, 462
See application file for complete search history.

DESCRIPTION

FIG. 1 is a perspective view of the step stool, incorporating the new design;

FIG. 2 is a front elevational view thereof;

FIG. 3 is a rear elevational view thereof;

FIG. 4 is a right side elevational view thereof; and

FIG. 5 is a left side elevational view thereof;

FIG. 6 is a top view of the step stool; and,

FIG. 7 is a bottom view of the step stool.

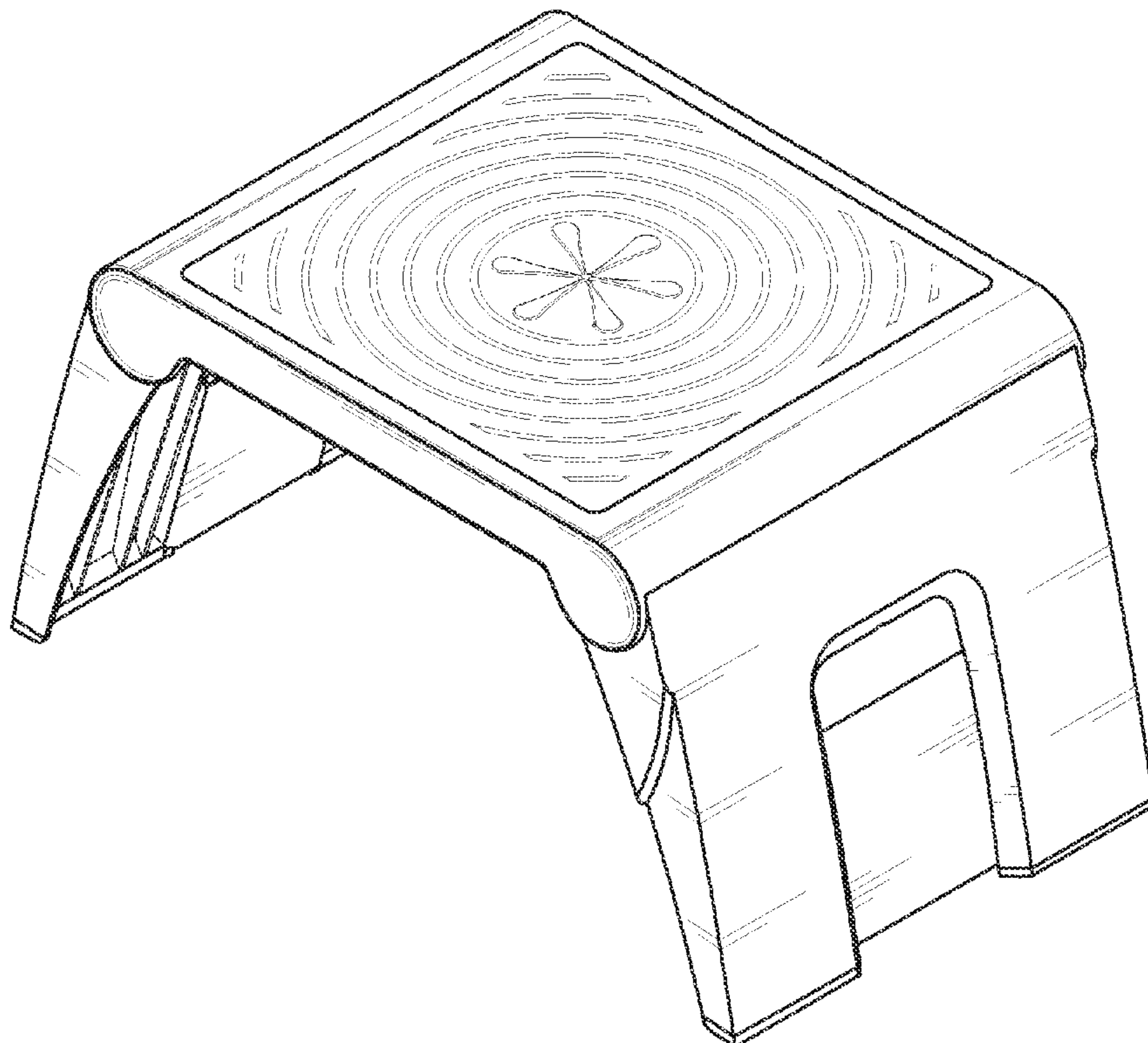
The broken lines shown in the drawings are for illustrative purposes only and form no part of the claimed design.

(56) **References Cited**

U.S. PATENT DOCUMENTS

D206,379 S * 12/1966 Good D6/353
3,976,163 A * 8/1976 Watkinson 182/20
D264,644 S * 6/1982 Baker D6/353
D265,026 S * 6/1982 Macho et al. D6/353

1 Claim, 4 Drawing Sheets



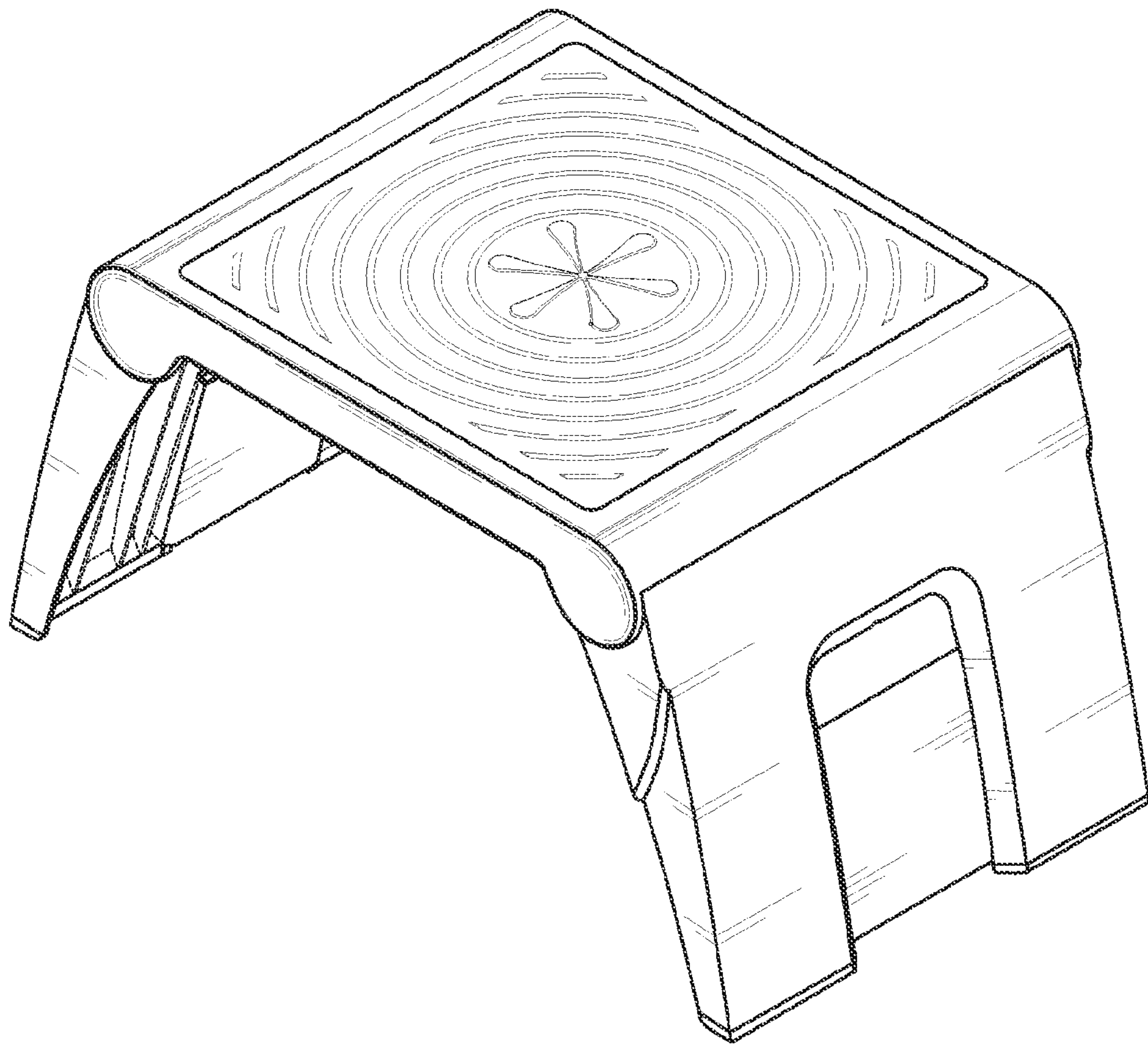


FIG. 1

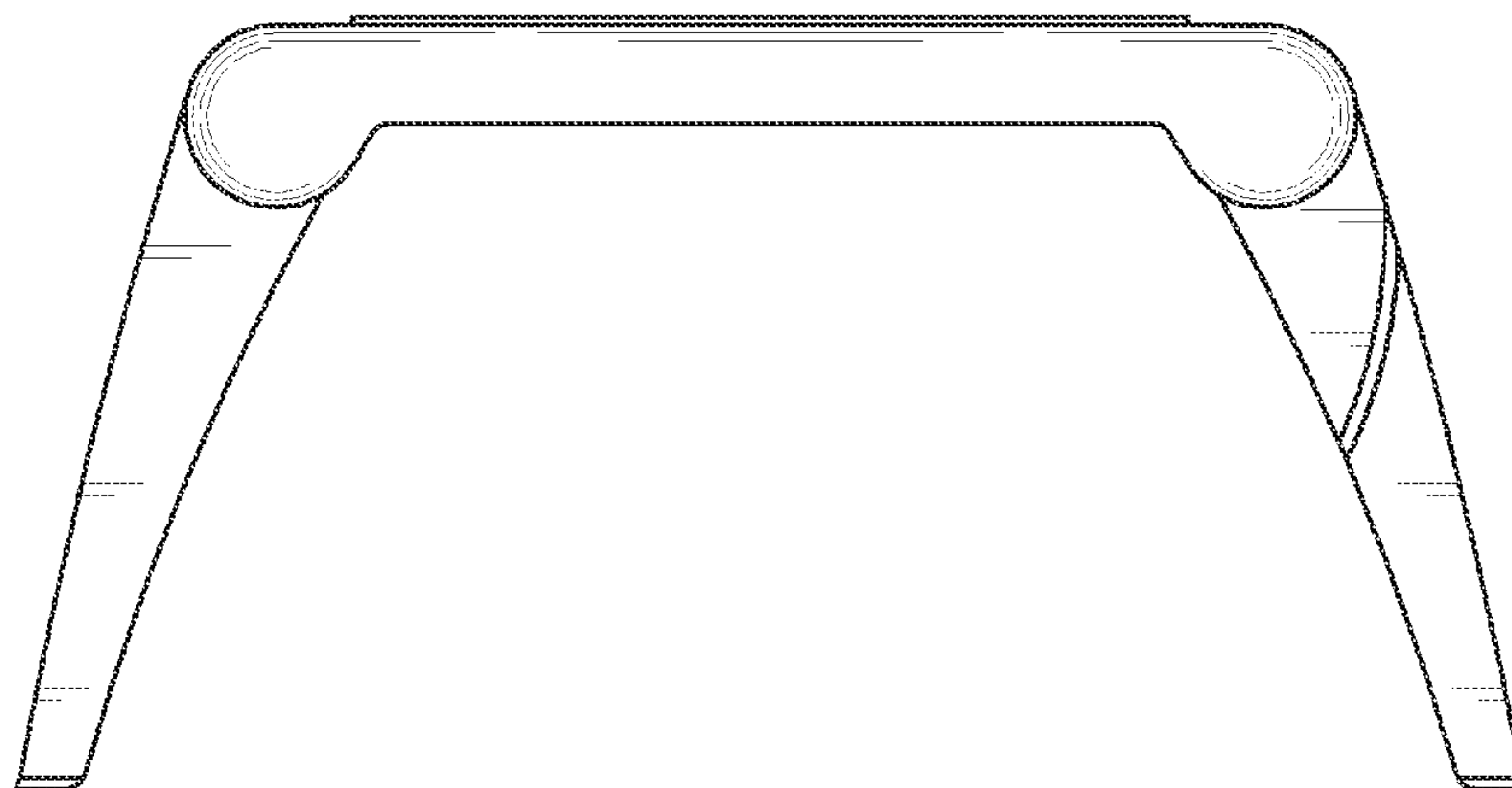


FIG. 2

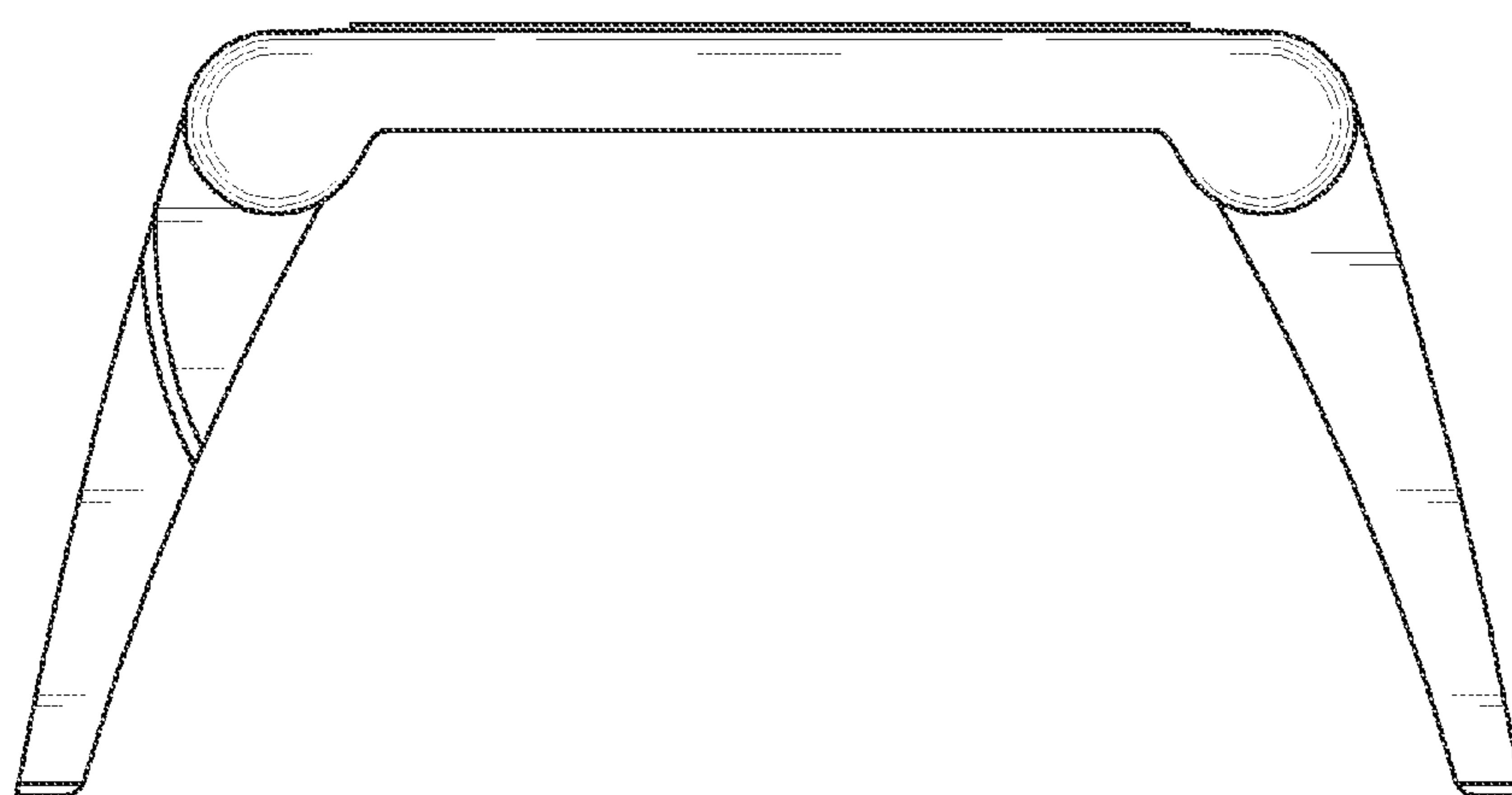


FIG. 3

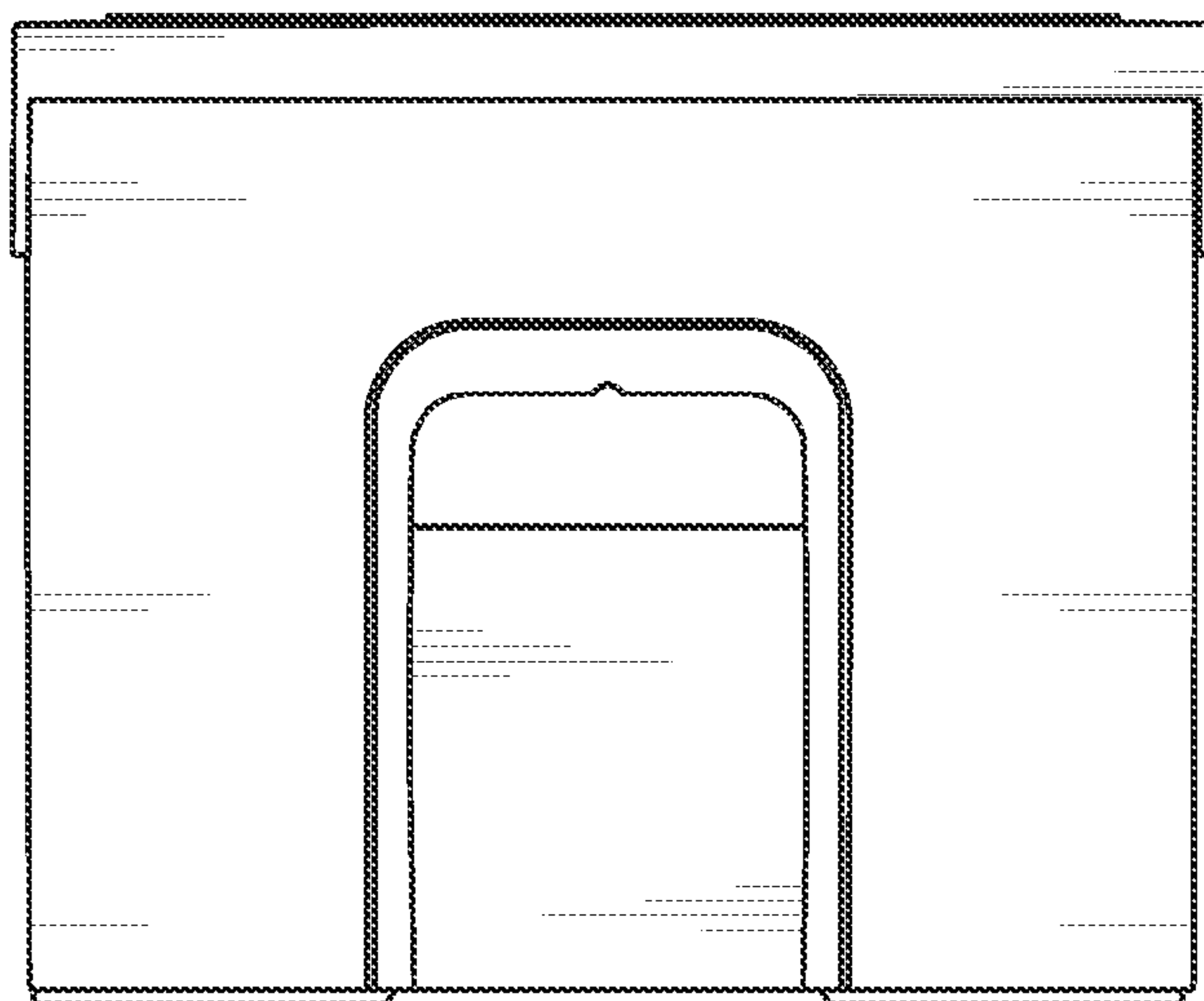


FIG. 4

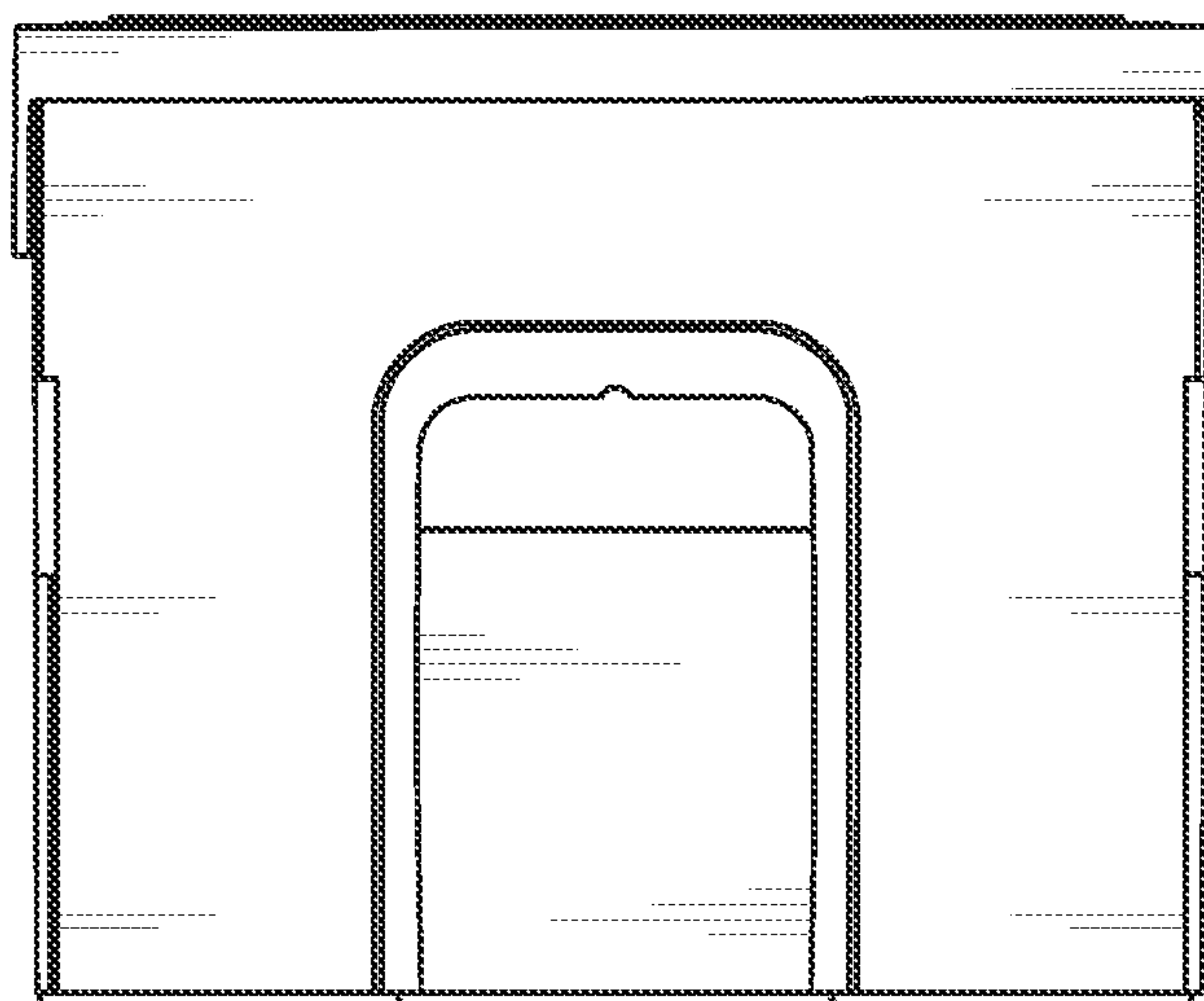


FIG. 5

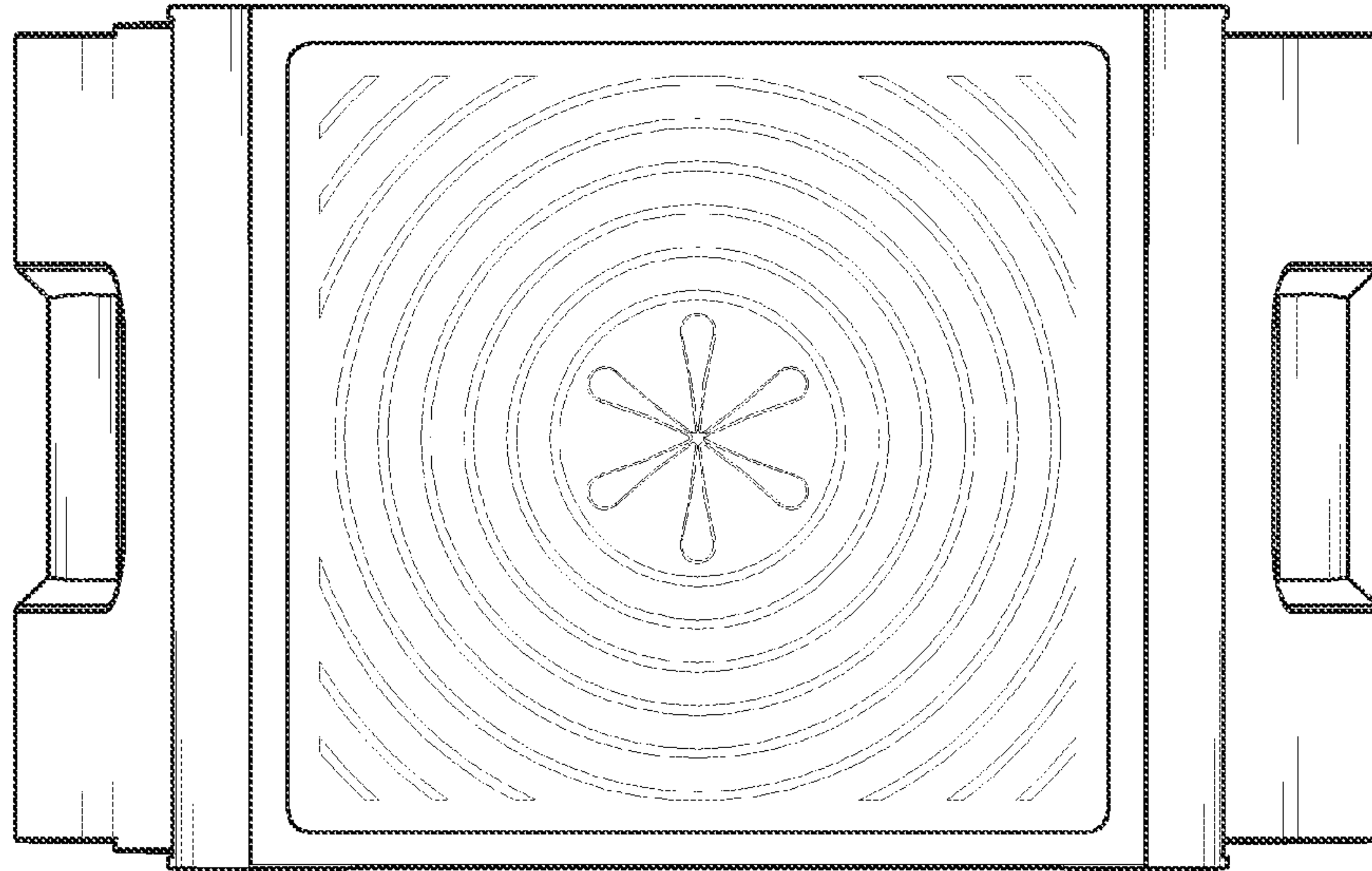


FIG. 6

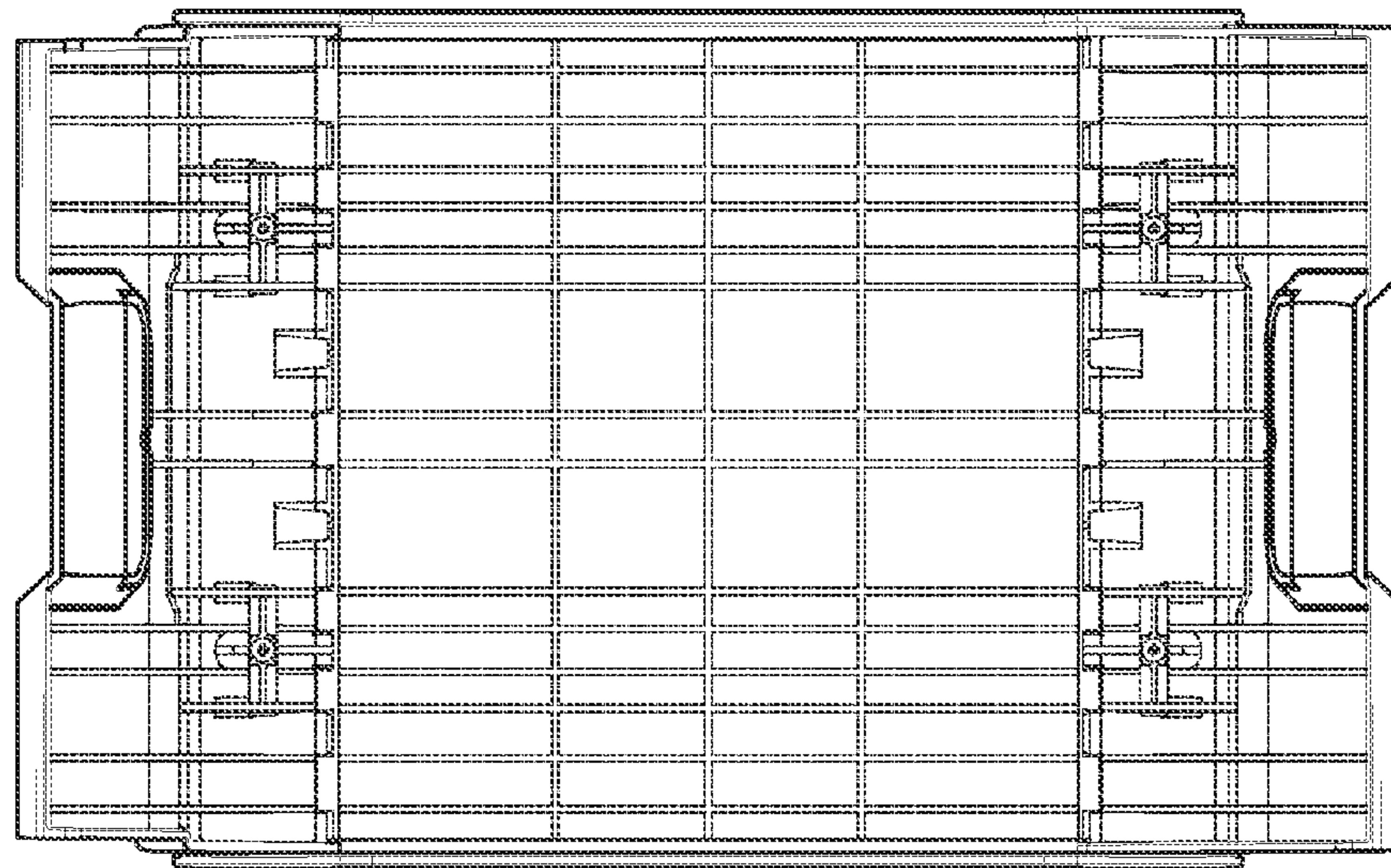


FIG. 7