



US00D600928S

(12) **United States Design Patent**  
**Rake**

(10) **Patent No.:** **US D600,928 S**

(45) **Date of Patent:** **\*\* Sep. 29, 2009**

(54) **STEP STOOL**

D273,252 S \* 4/1984 Markson ..... D6/353  
D318,960 S \* 8/1991 Lilly et al. .... D6/406.6  
D579,680 S \* 11/2008 Emert ..... D6/353

(75) Inventor: **Lance Rake**, Lawrence, KS (US)

\* cited by examiner

(73) Assignee: **Cramer Inc.**, North Kansas City, MO  
(US)

*Primary Examiner*—Sandra Snapp

(\*\*) Term: **14 Years**

(74) *Attorney, Agent, or Firm*—Schwegman, Lundberg &  
Woessner, P.A.

(21) Appl. No.: **29/297,242**

(57) **CLAIM**

(22) Filed: **Nov. 7, 2007**

The ornamental design for the step stool, as shown and described.

(51) **LOC (9) Cl.** ..... **06-01**

(52) **U.S. Cl.** ..... **D6/353**

(58) **Field of Classification Search** ..... D6/330,  
D6/335–338, 340, 349–355, 358, 359, 364,  
D6/366, 376, 491, 495, 500–502; 297/16.1,  
297/39, 46, 135, 140, 156, 158.3, 158.4,  
297/175, 177, 187, 195.1, 195.11, 211, 245,  
297/423.1, 423.16, 445.1, 461, 462

See application file for complete search history.

**DESCRIPTION**

FIG. 1 is a perspective view of the step stool, incorporating the new design;

FIG. 2 is a front elevational view thereof;

FIG. 3 is a rear elevational view thereof;

FIG. 4 is a right side elevational view thereof; and

FIG. 5 is a left side elevational view thereof;

FIG. 6 is a top view of the step stool; and,

FIG. 7 is a bottom view of the step stool.

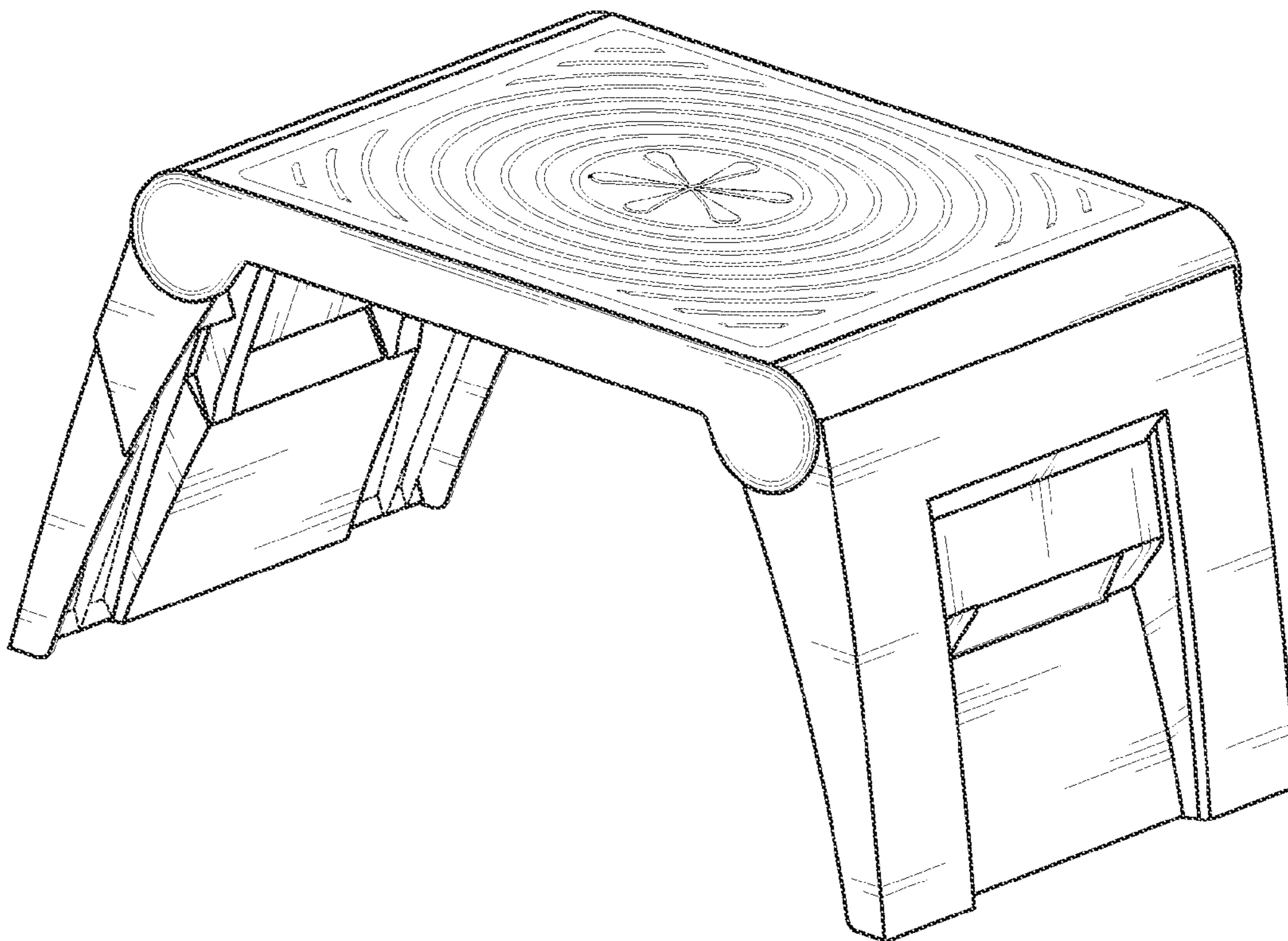
The broken lines shown in the drawings are for illustrative purposes only and form no part of the claimed design.

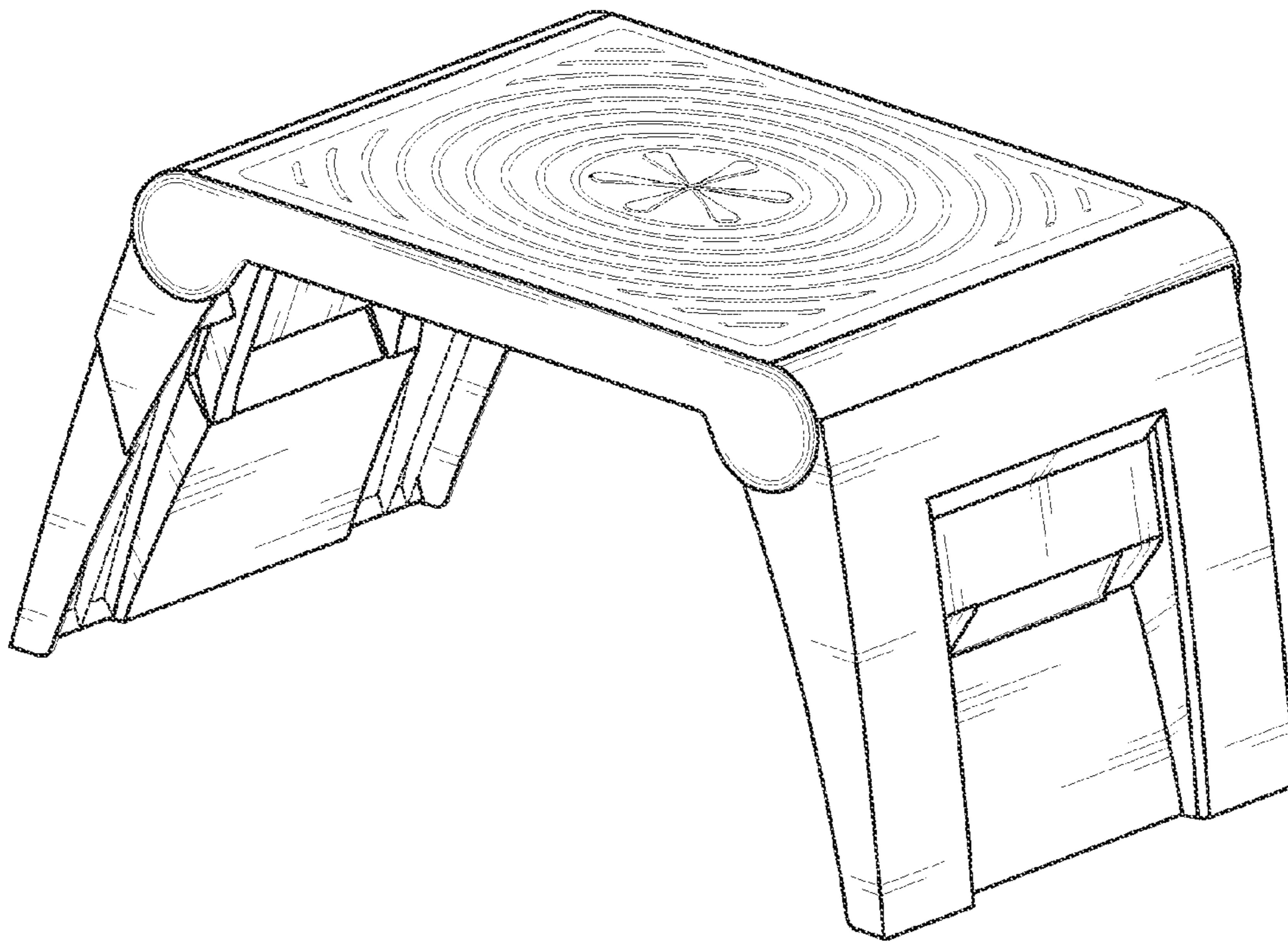
(56) **References Cited**

U.S. PATENT DOCUMENTS

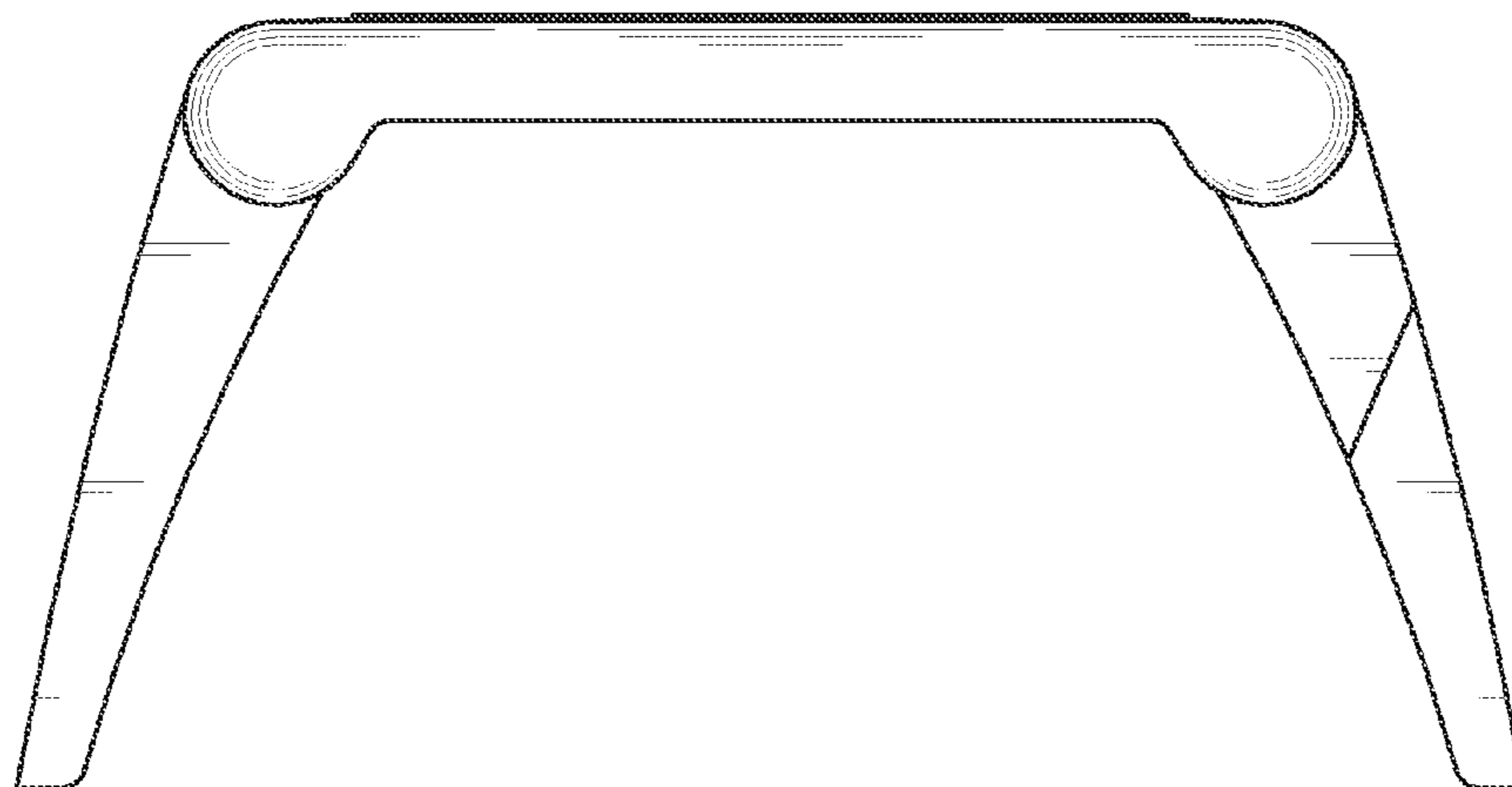
D206,379 S \* 12/1966 Good ..... D6/353  
3,976,163 A \* 8/1976 Watkinson ..... 182/20  
D264,644 S \* 6/1982 Baker ..... D6/353  
D265,026 S \* 6/1982 Macho et al. .... D6/353

**1 Claim, 4 Drawing Sheets**

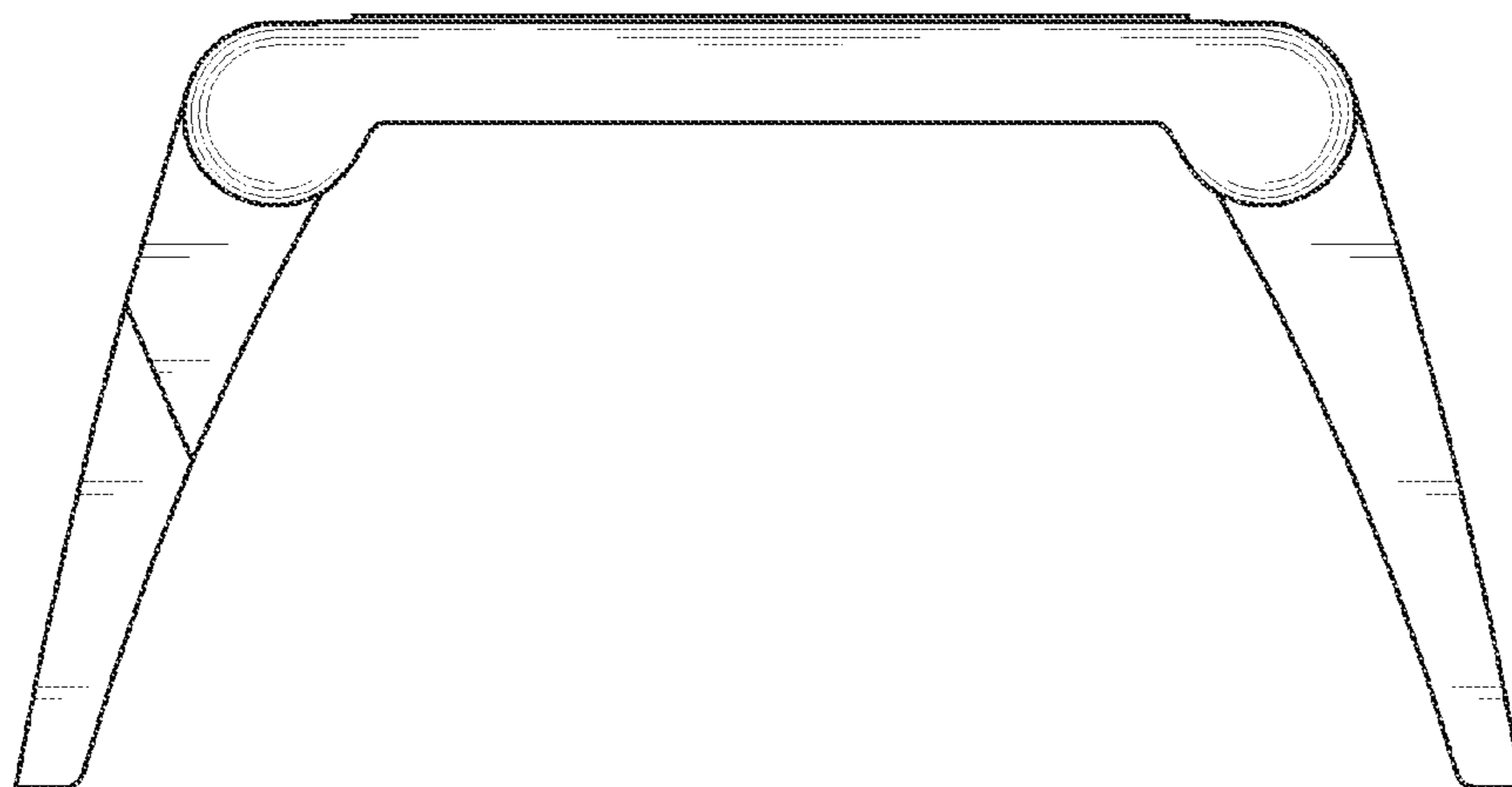




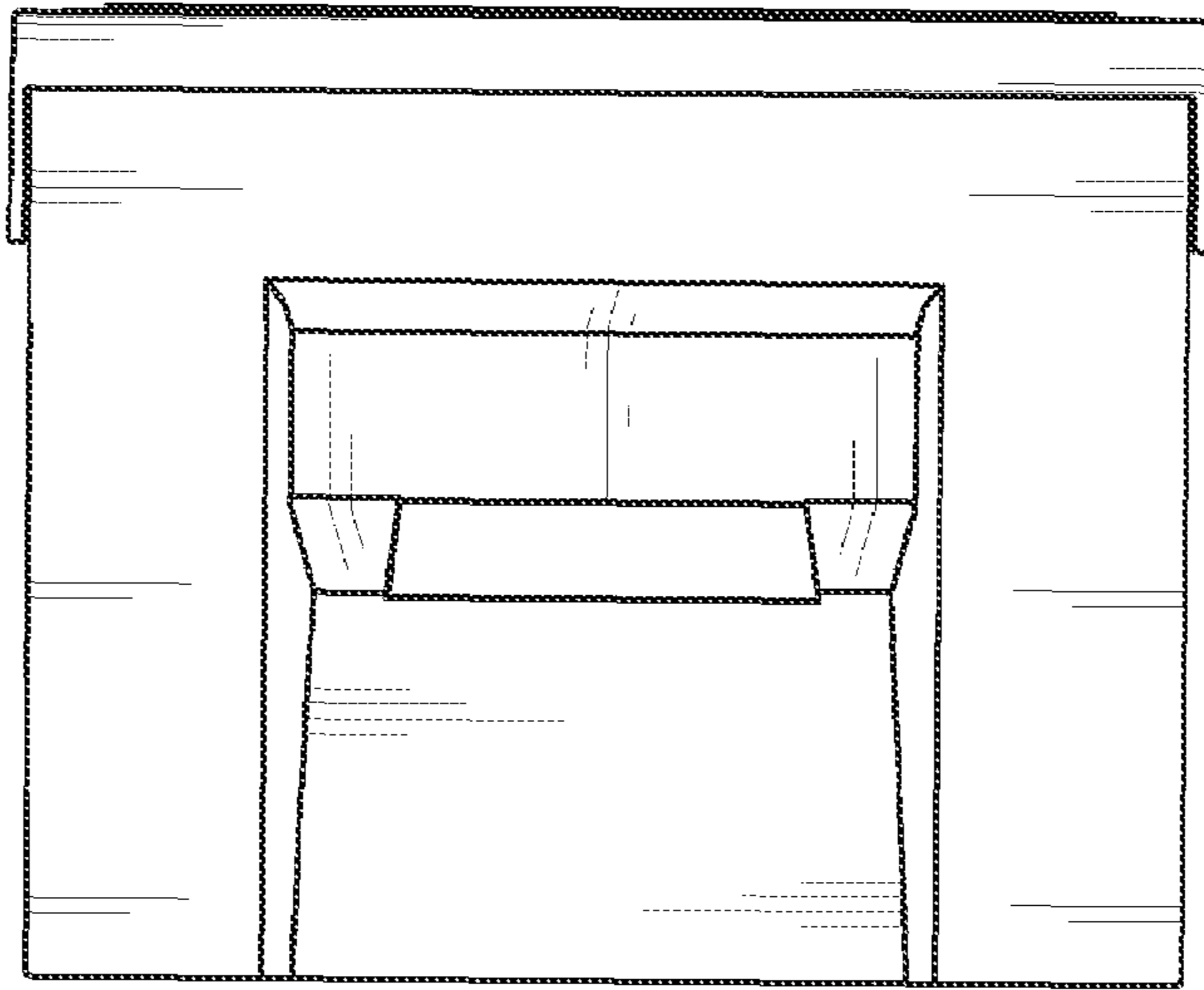
*FIG. 1*



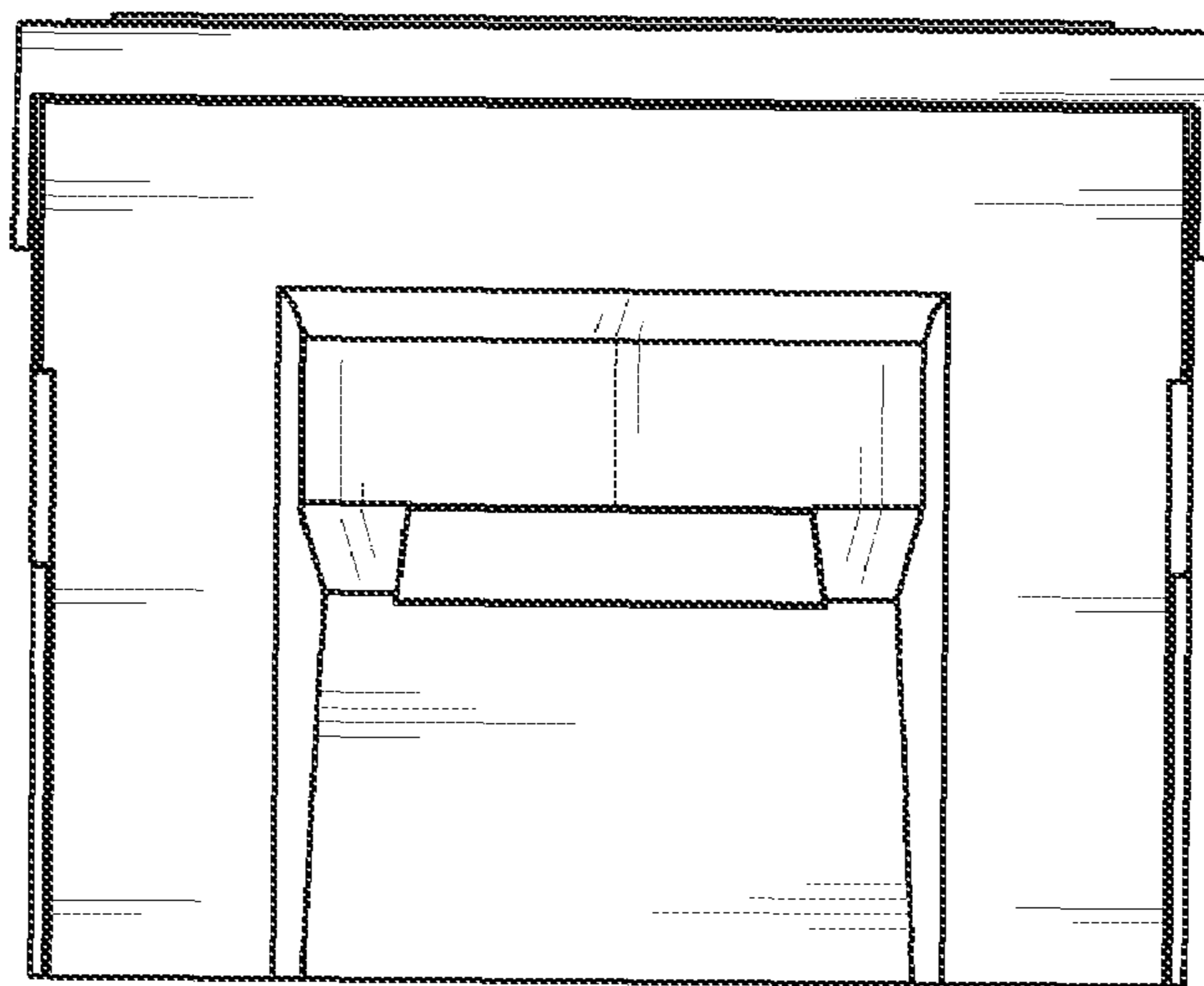
*FIG. 2*



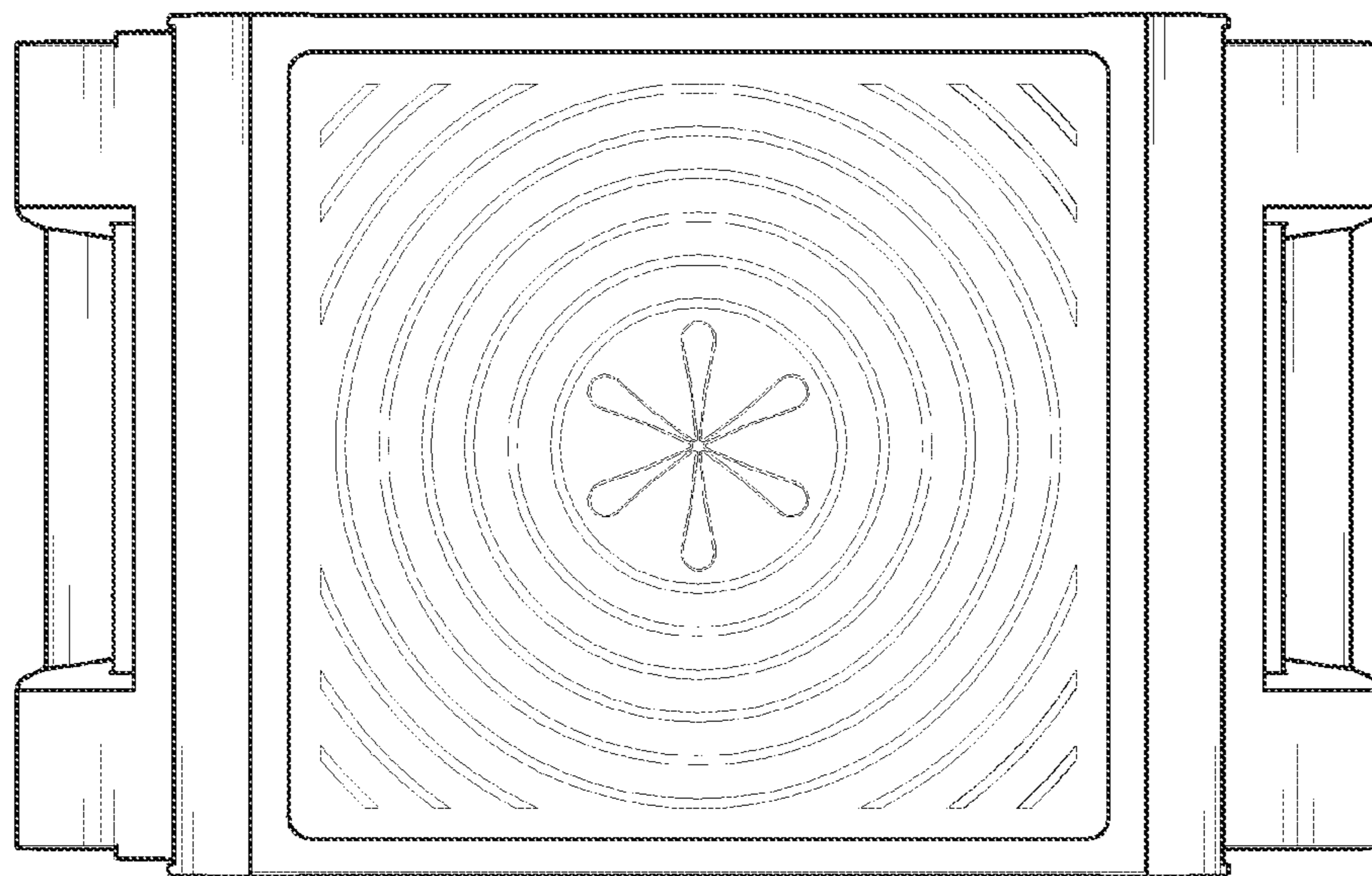
*FIG. 3*



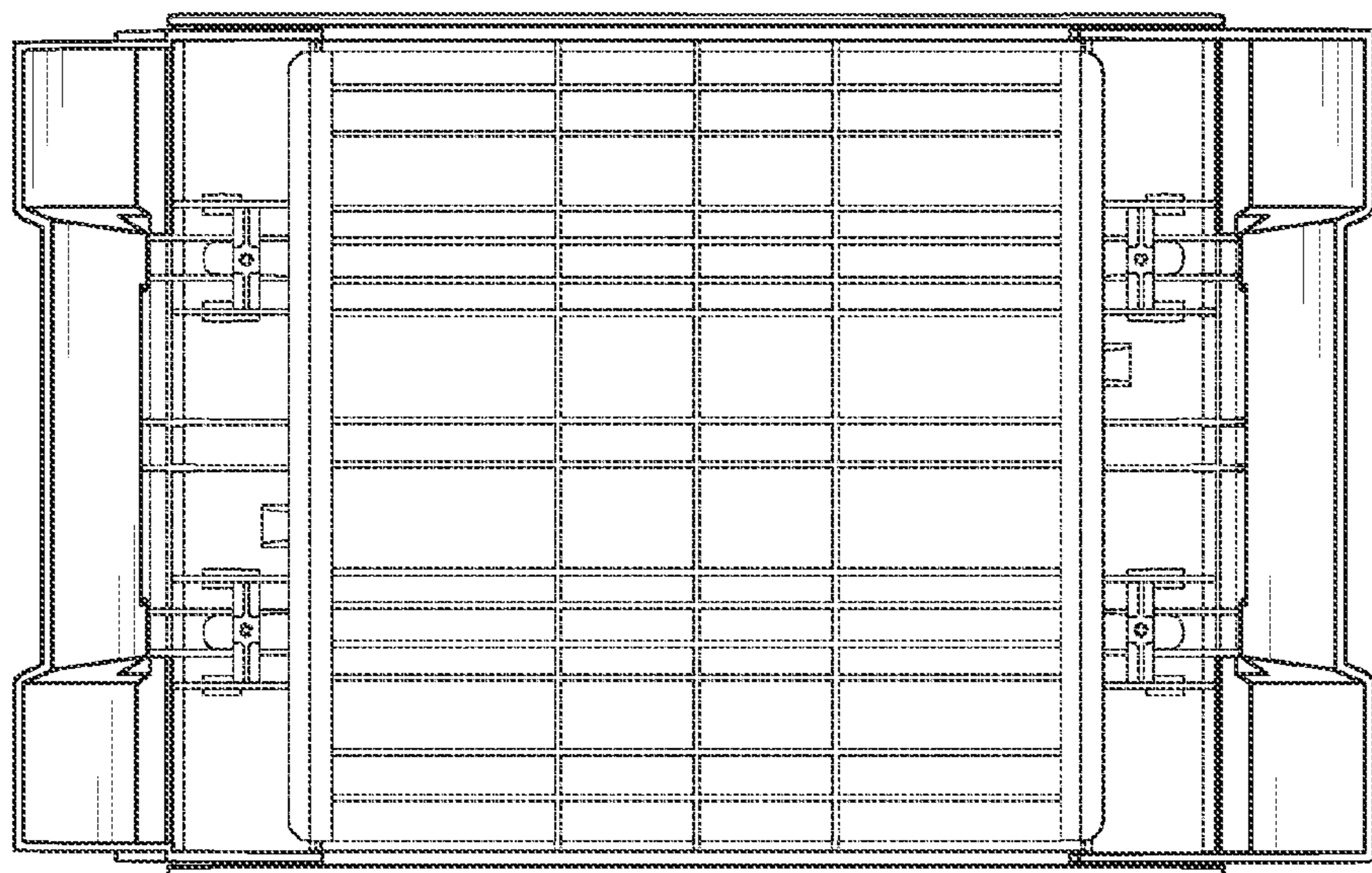
*FIG. 4*



*FIG. 5*



*FIG. 6*



*FIG. 7*