



US00D600927S

(12) **United States Design Patent**
Lake et al.

(10) **Patent No.:** **US D600,927 S**

(45) **Date of Patent:** **** Sep. 29, 2009**

(54) **FRAME FOR A FOLDING HIGH CHAIR WITH TRAY AND FOOT SUPPORT**

(75) Inventors: **Jon Lake**, Sunnyvale, CA (US); **Davy Kho**, Paris (FR)

(73) Assignee: **iLinko Ltd.**, Quarry Bay (HK)

(**) Term: **14 Years**

(21) Appl. No.: **29/280,155**

(22) Filed: **May 17, 2007**

(51) **LOC (9) Cl.** **06-01**

(52) **U.S. Cl.** **D6/339**

(58) **Field of Classification Search** D6/333, D6/335, 339, 491, 499-502; D12/129; D21/412, D21/416, 419; 280/30, 31; 5/93.1, 93.2, 5/94, 98.1, 99.1, 101, 102, 655; 297/183.1, 297/183.2, 183.3, 183.4, 184.14, 184.15, 297/250.1, 255, 256.15, 256.16

See application file for complete search history.

(56) **References Cited**

U.S. PATENT DOCUMENTS

D208,152 S *	7/1967	Levy	D6/339
D283,956 S *	5/1986	Lemmeyer	D6/339
D344,189 S *	2/1994	Golenz et al.	D6/339
6,089,653 A *	7/2000	Hotaling et al.	297/130
D451,434 S *	12/2001	Hsia	D12/129
6,692,070 B1 *	2/2004	Hou et al.	297/153
D492,519 S *	7/2004	Nolan	D6/500
6,932,426 B2 *	8/2005	Greger	297/149

* cited by examiner

Primary Examiner—Sandra Snapp

(74) *Attorney, Agent, or Firm*—Christensen O'Connor Johnson Kindness PLLC

(57) **CLAIM**

The ornamental design for a frame for a folding high chair with tray and foot support, as shown and described.

DESCRIPTION

FIG. 1 is a front right perspective view of an embodiment of a frame for a folding high chair with a tray and foot support showing our new design;

FIG. 2 is a rear elevation view thereof;

FIG. 3 is a right side elevation view thereof;

FIG. 4 is a bottom plan view thereof;

FIG. 5 is a front elevation view thereof;

FIG. 6 is a top plan view thereof;

FIG. 7 is a detailed perspective view of the support section for the tray of the folding high chair with a tray and foot support in FIG. 1, wherein the tray is not shown for convenience of illustration; and,

FIG. 8 is a front right perspective view of the frame for folding high chair with a tray and foot support as in FIG. 1, wherein the frame is shown in a folded position.

The features shown in broken lines in the drawings illustrate environment only and do not form any part of the claimed design.

1 Claim, 8 Drawing Sheets



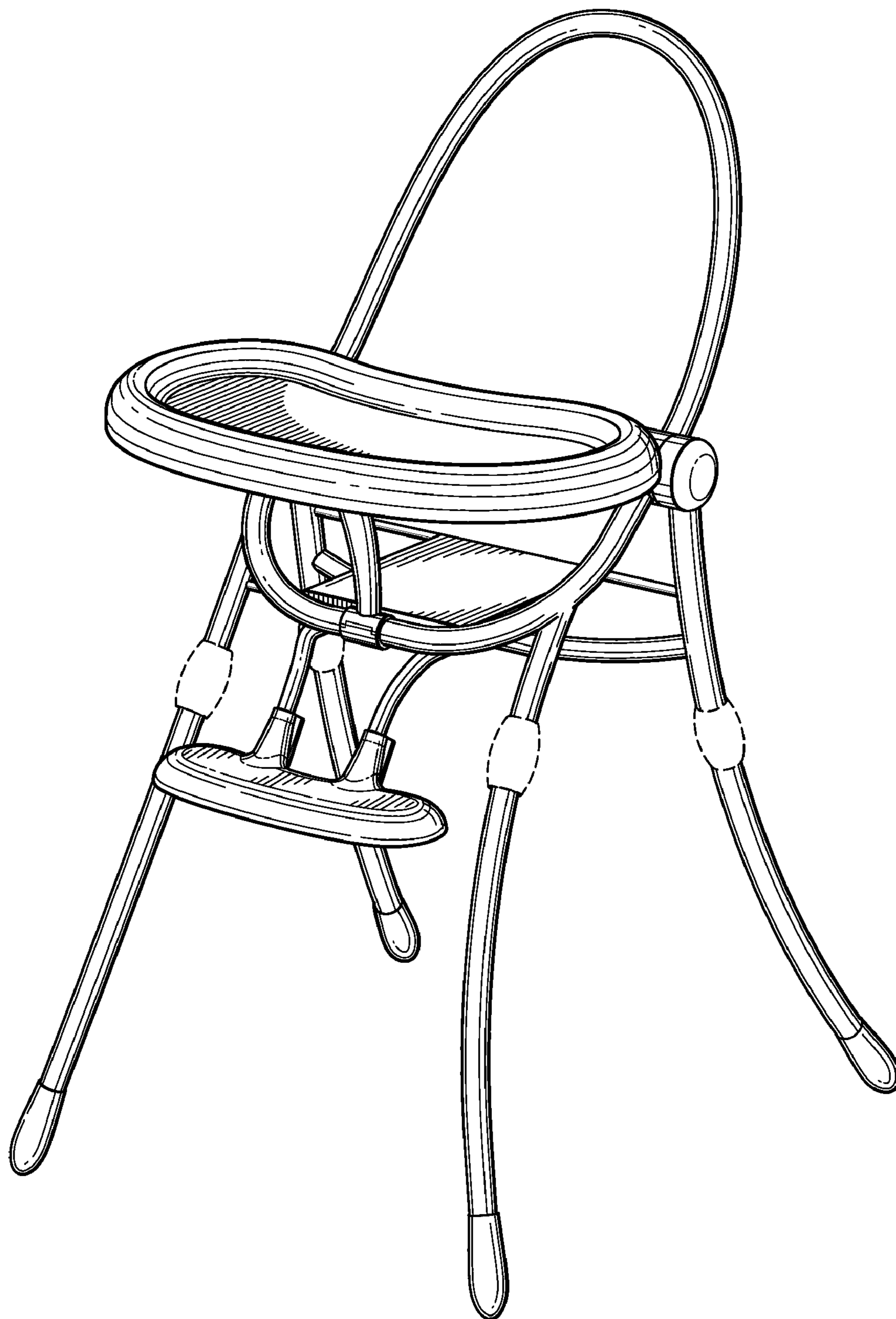


Fig. 1.

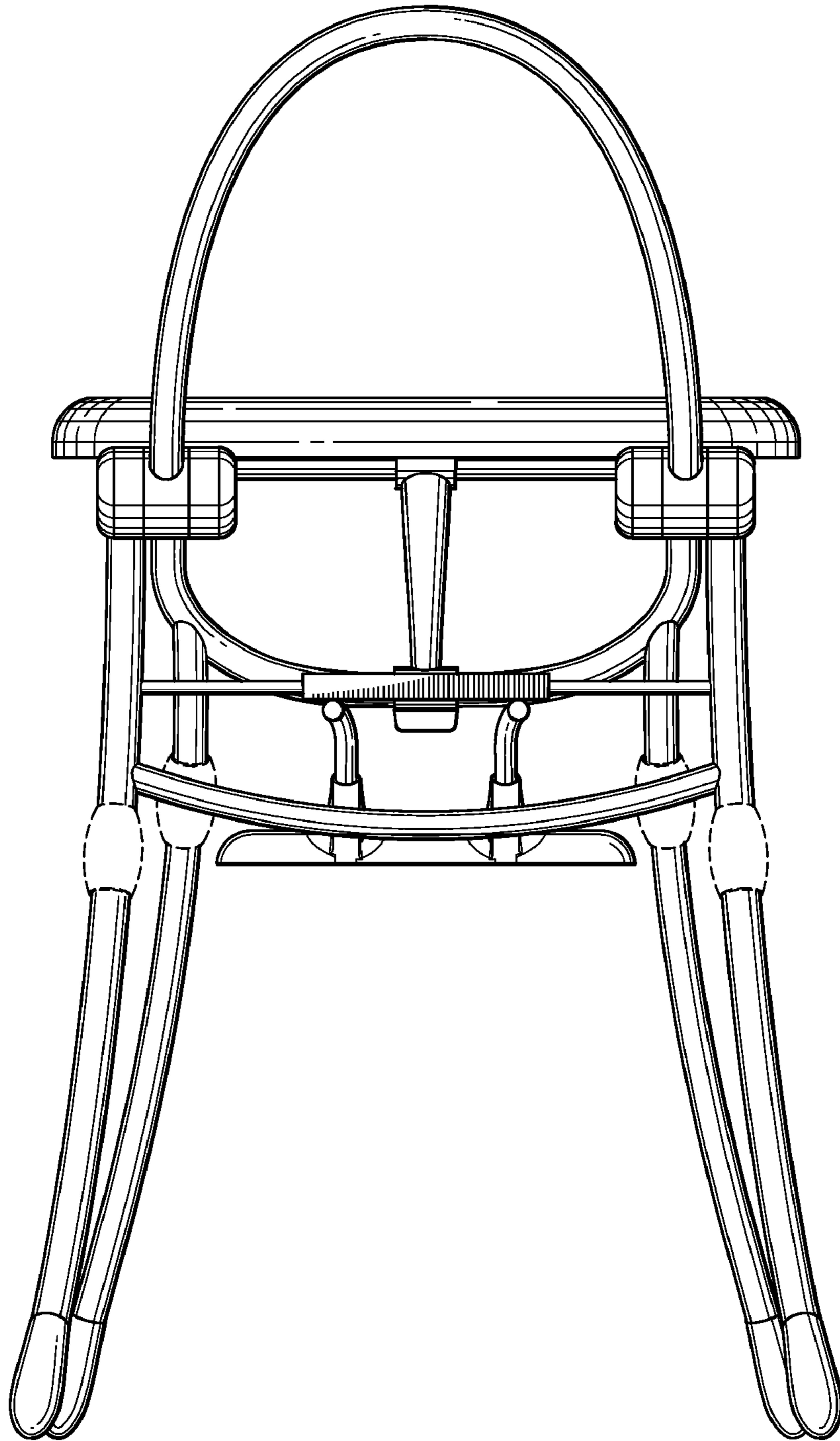


Fig. 2.

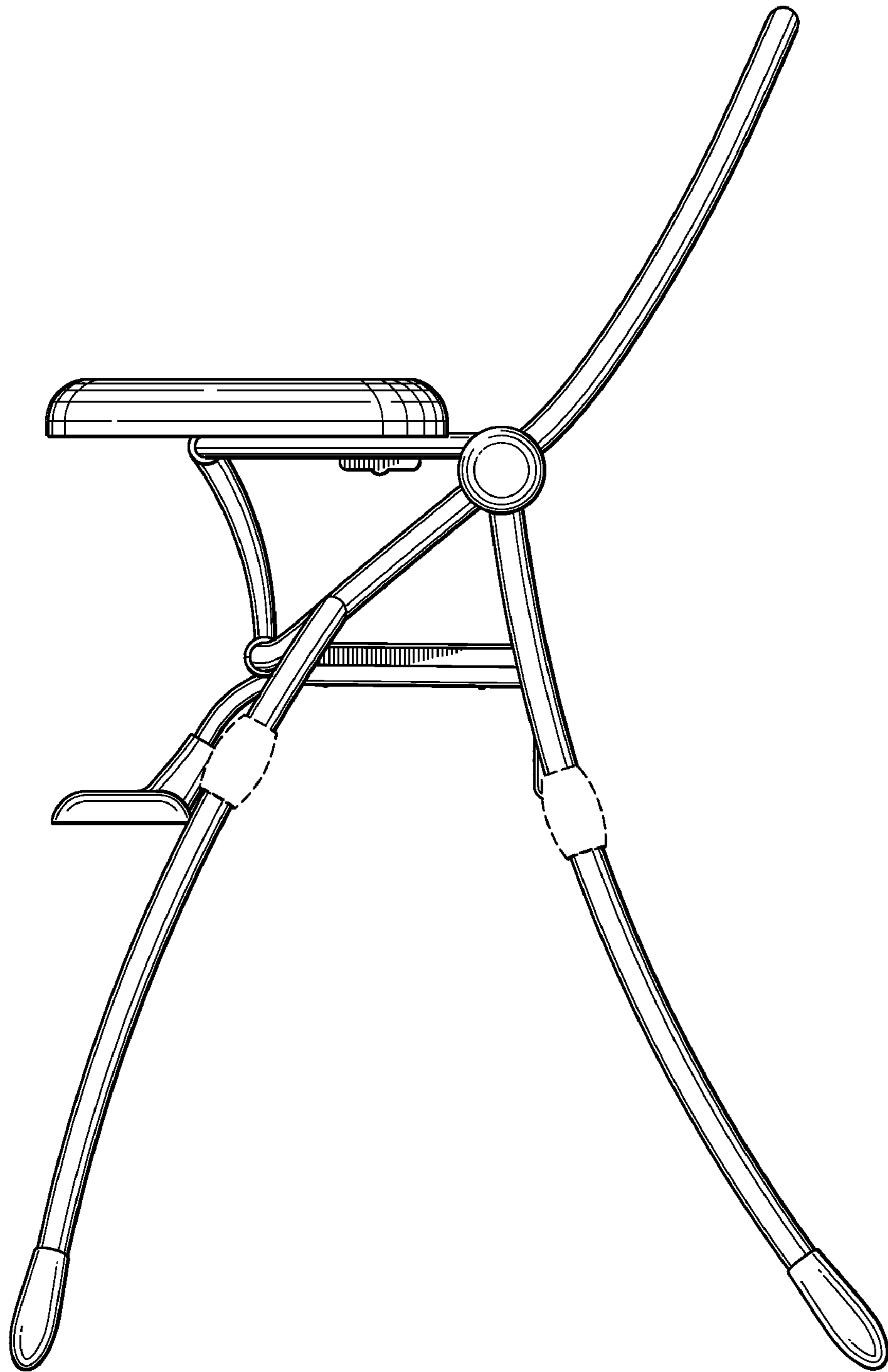


Fig. 3.

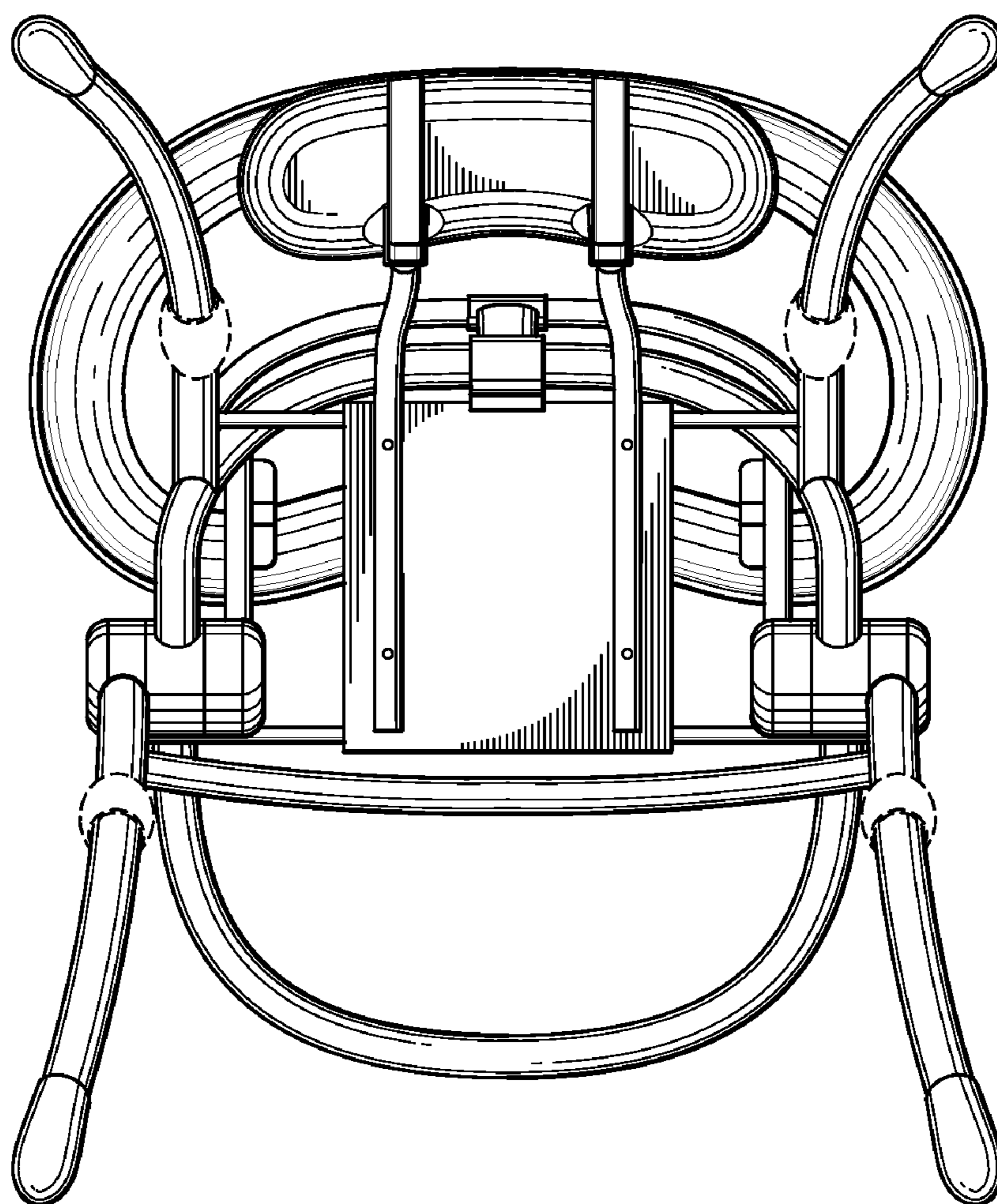


Fig. 4.

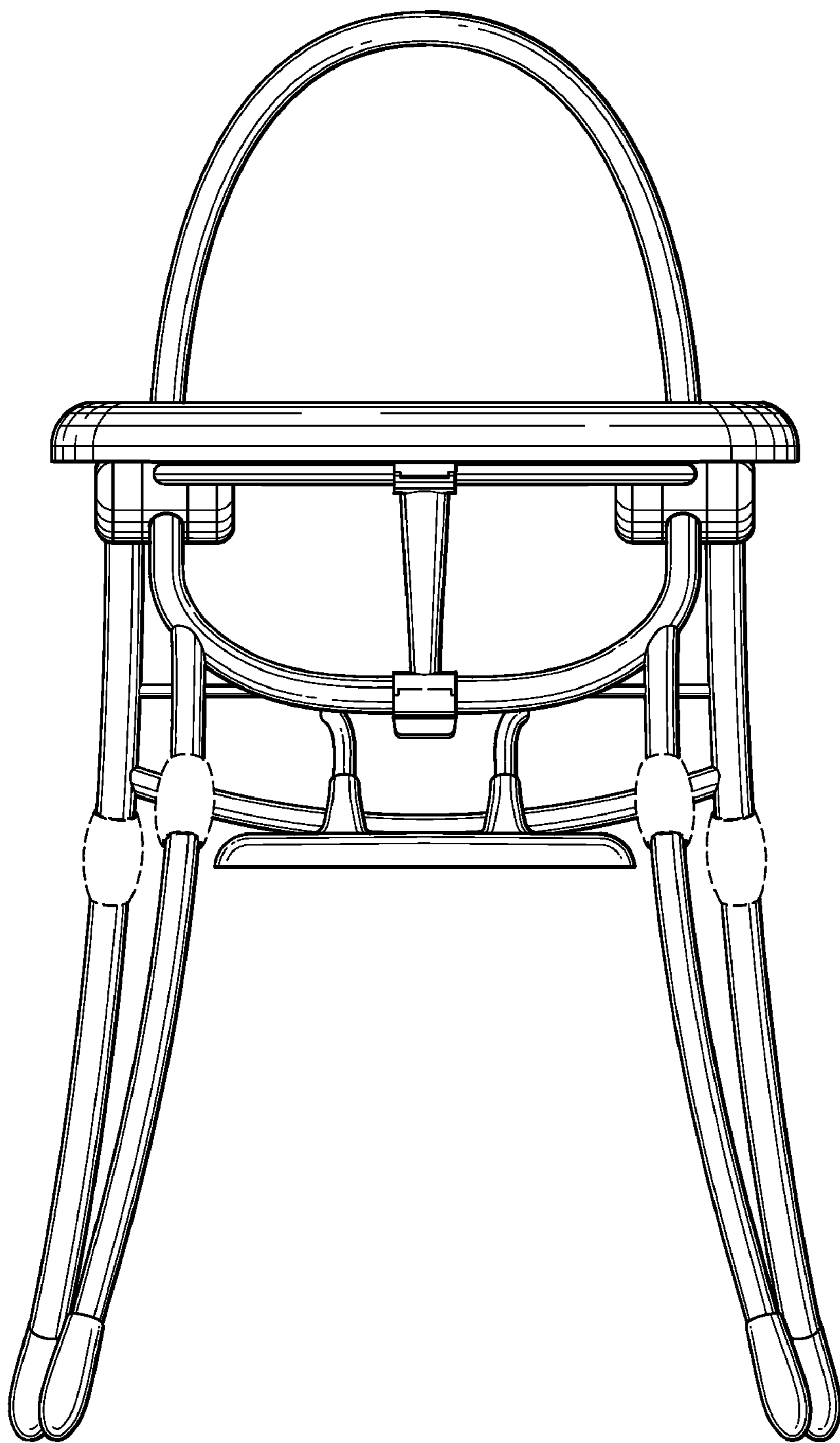


Fig. 5.

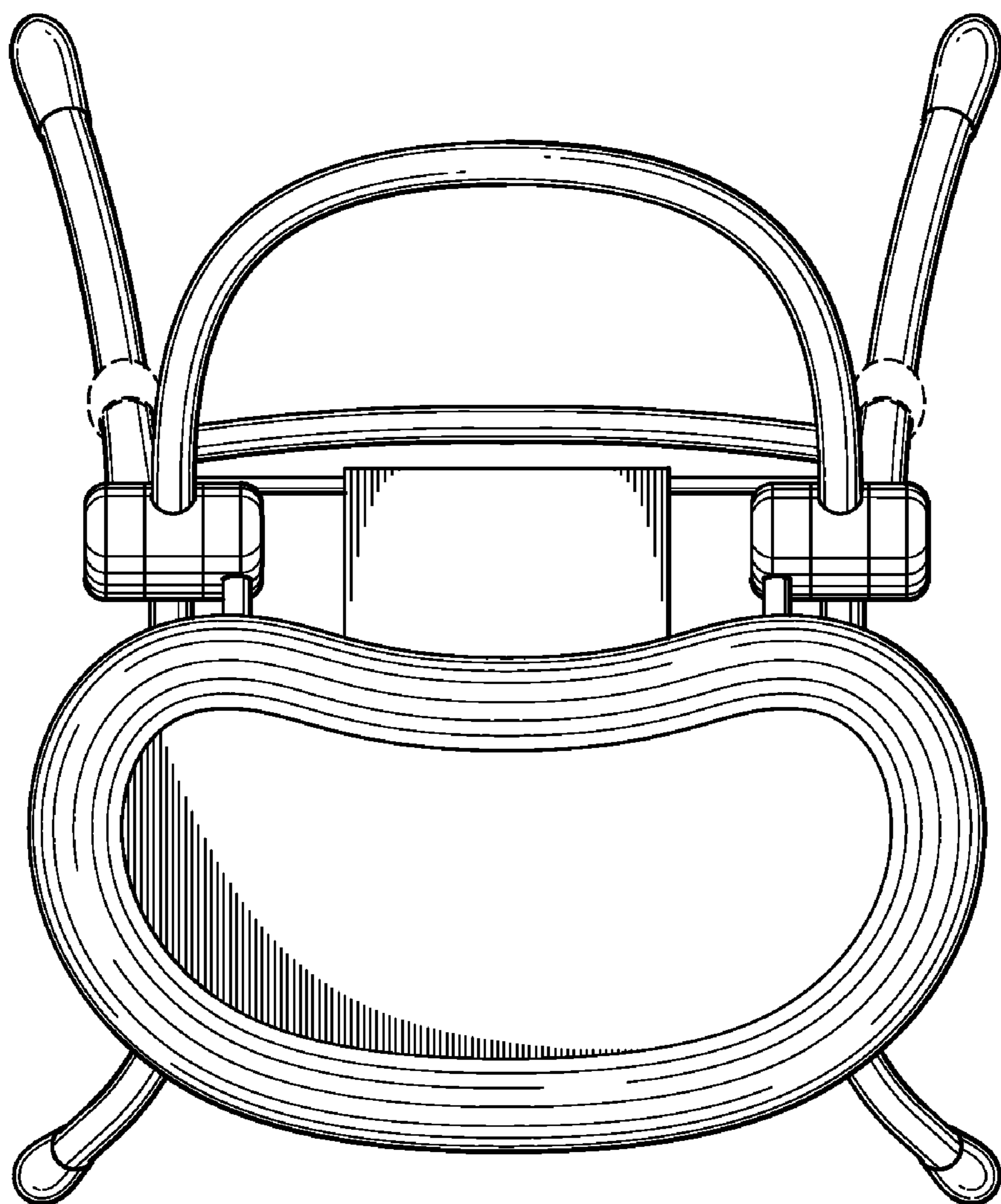


Fig. 6.

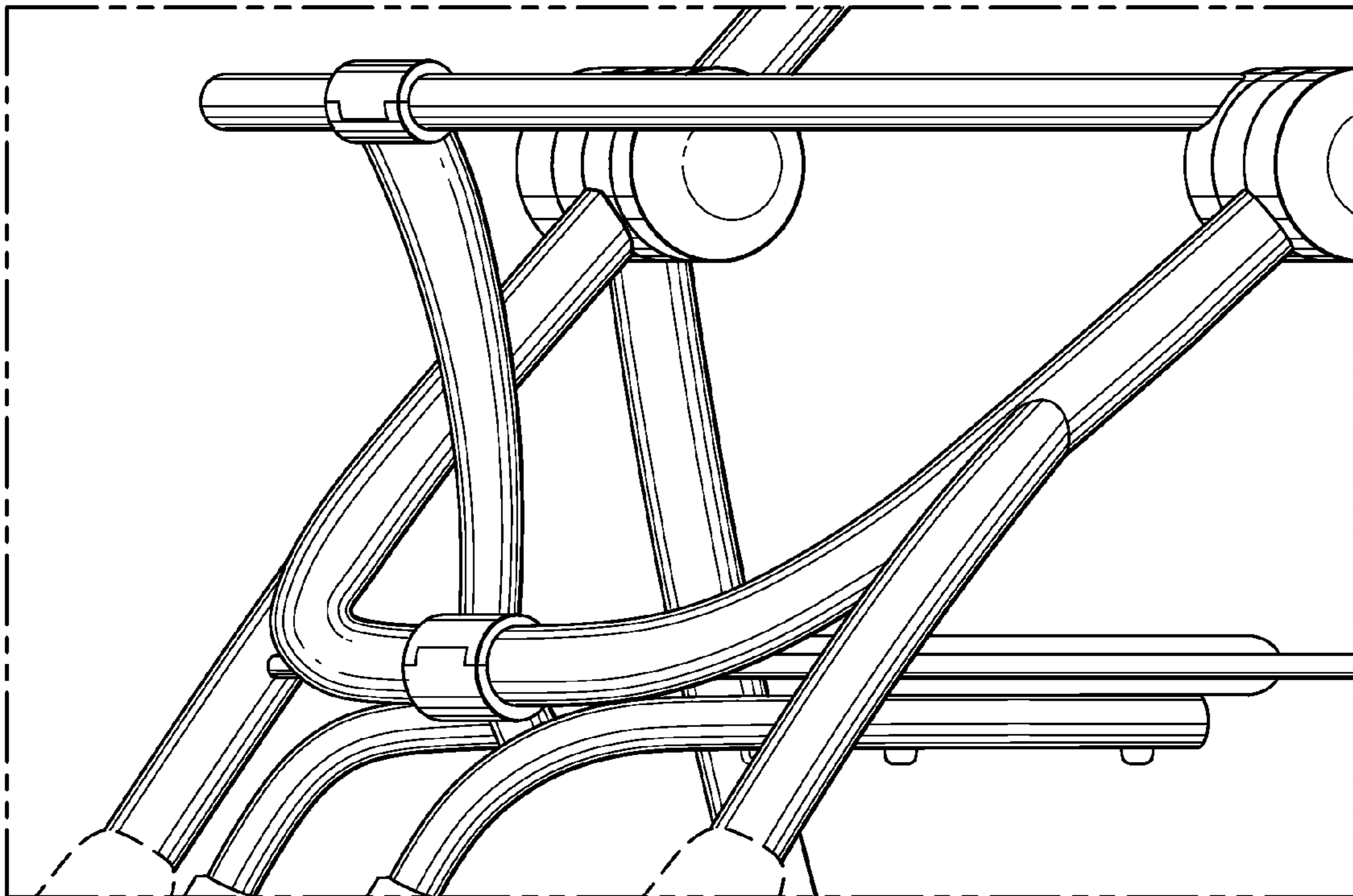


Fig. 7.

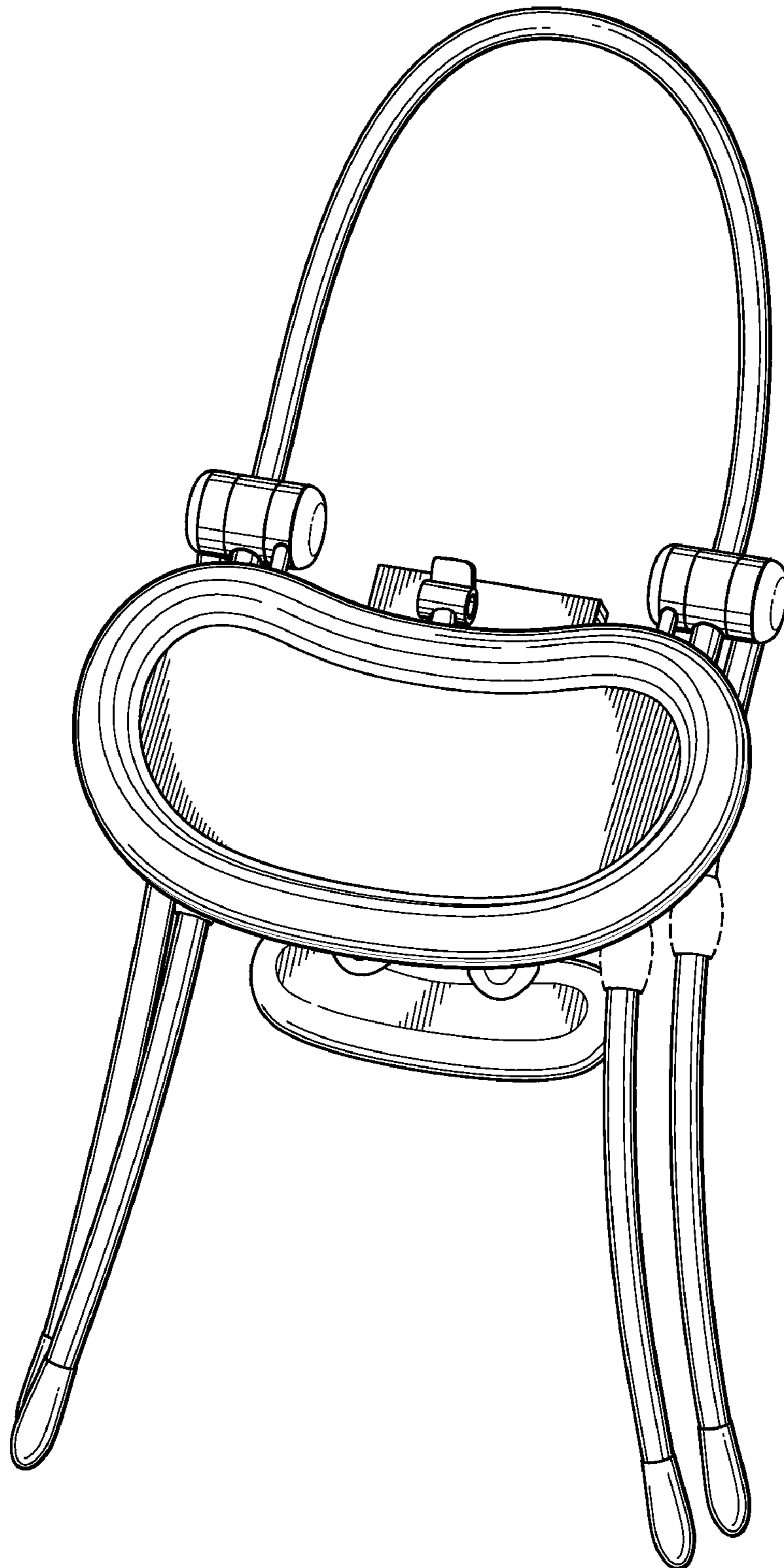


Fig. 8.