



US00D600925S

(12) **United States Design Patent**
Guffey et al.

(10) **Patent No.:** **US D600,925 S**

(45) **Date of Patent:** **** *Sep. 29, 2009**

(54) **HAT STORAGE AND DISPLAY DEVICE**

(76) Inventors: **Lyle K. Guffey**, 3001 Northridge Dr.
Suite C, Farmington, NM (US) 87401;
Archie Westeman, 811 McCoy Ave.,
Farmington, NM (US) 87401

D125,297 S *	2/1941	Vogt	D6/320
D135,888 S *	6/1943	Zimmerman	D6/320
2,659,489 A *	11/1953	Searles	211/32
D227,742 S *	7/1973	Logsdon	D8/354
D333,012 S *	2/1993	Fleming	D26/138
D370,787 S *	6/1996	Davis	D6/320
D426,075 S *	6/2000	Bonham	D6/320

(*) Notice: This patent is subject to a terminal disclaimer.

* cited by examiner

(**) Term: **14 Years**

Primary Examiner—Prabhakar Deshmukh
Assistant Examiner—Daniel Bui

(21) Appl. No.: **29/177,343**

(57) **CLAIM**

(22) Filed: **Mar. 7, 2003**

The ornamental design for a hat storage and display device, as shown.

(51) **LOC (9) Cl.** **06-08**

(52) **U.S. Cl.** **D6/327**

(58) **Field of Classification Search** D6/327,
D6/315, 317, 329, 512, 513, 552, 566, 567;
D8/349, 354, 370, 380; 211/86.01; 248/127,
248/682, 688

See application file for complete search history.

DESCRIPTION

FIG. 1 is a bottom, front and right side perspective view of a hat storage and display device, showing our new design;

FIG. 2 is a top, back and left side perspective view thereof;

FIG. 3 is a top plan view thereof;

FIG. 4 is back elevation view thereof; and,

FIG. 5 is a left side elevation view thereof.

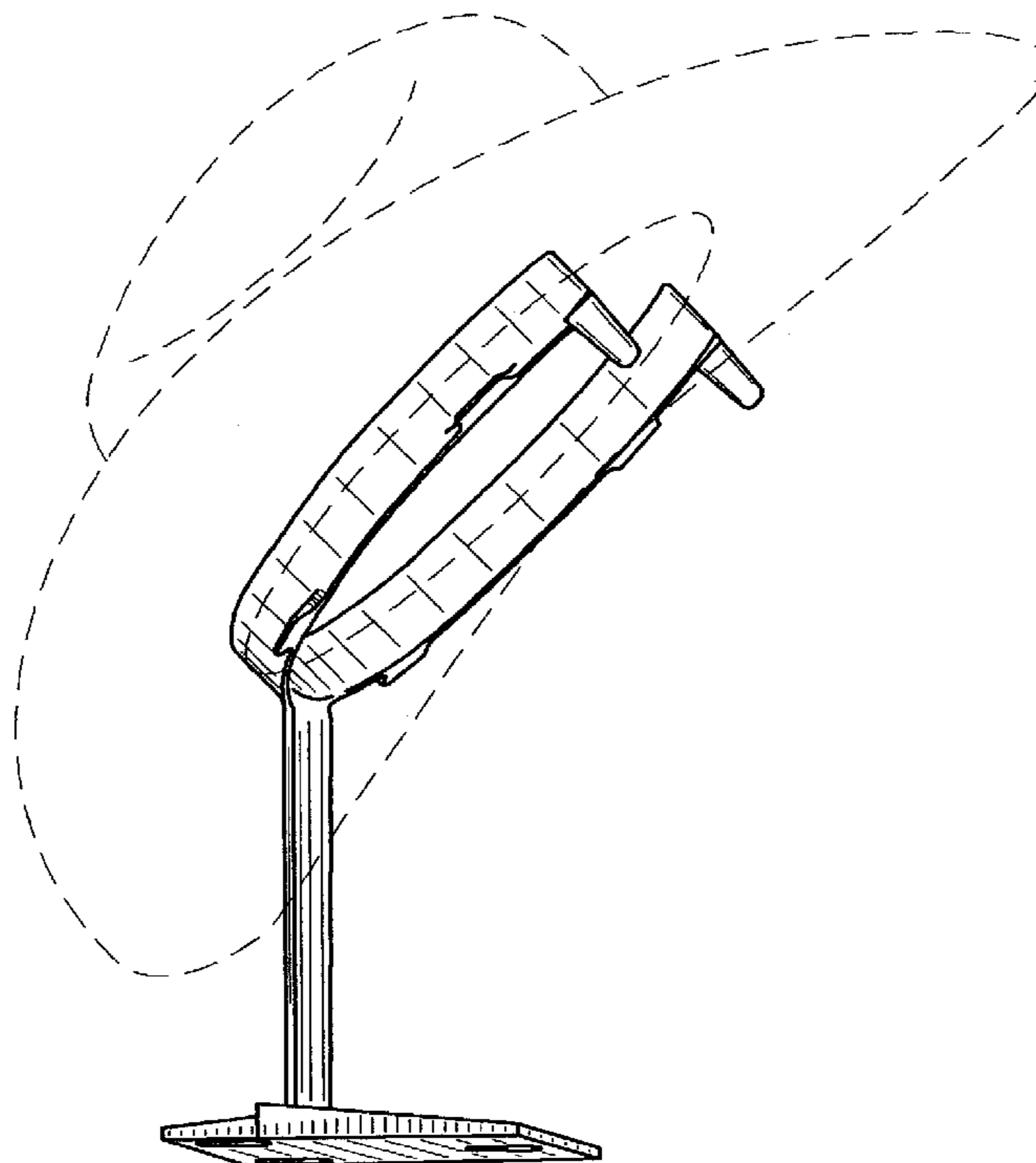
The broken line showing of the environment is for illustrative purposes only and forms no part of the claimed design.

(56) **References Cited**

U.S. PATENT DOCUMENTS

939,352 A *	11/1909	Truitt	211/32
1,003,287 A *	9/1911	Morin	211/32
D93,309 S *	9/1934	Van Aken	D6/320
D97,999 S *	12/1935	Hamilton	D6/320

1 Claim, 5 Drawing Sheets



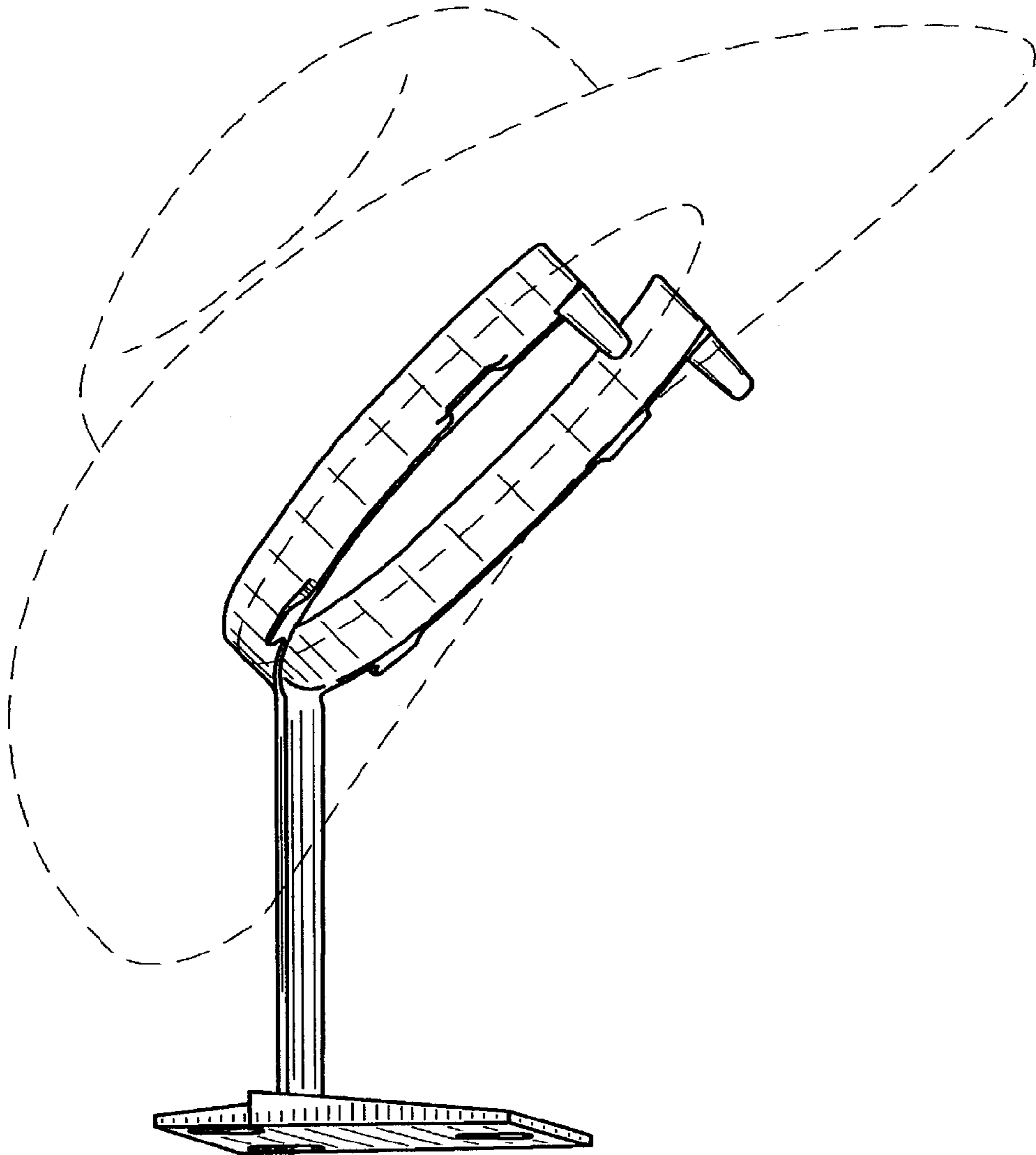


Fig. 1

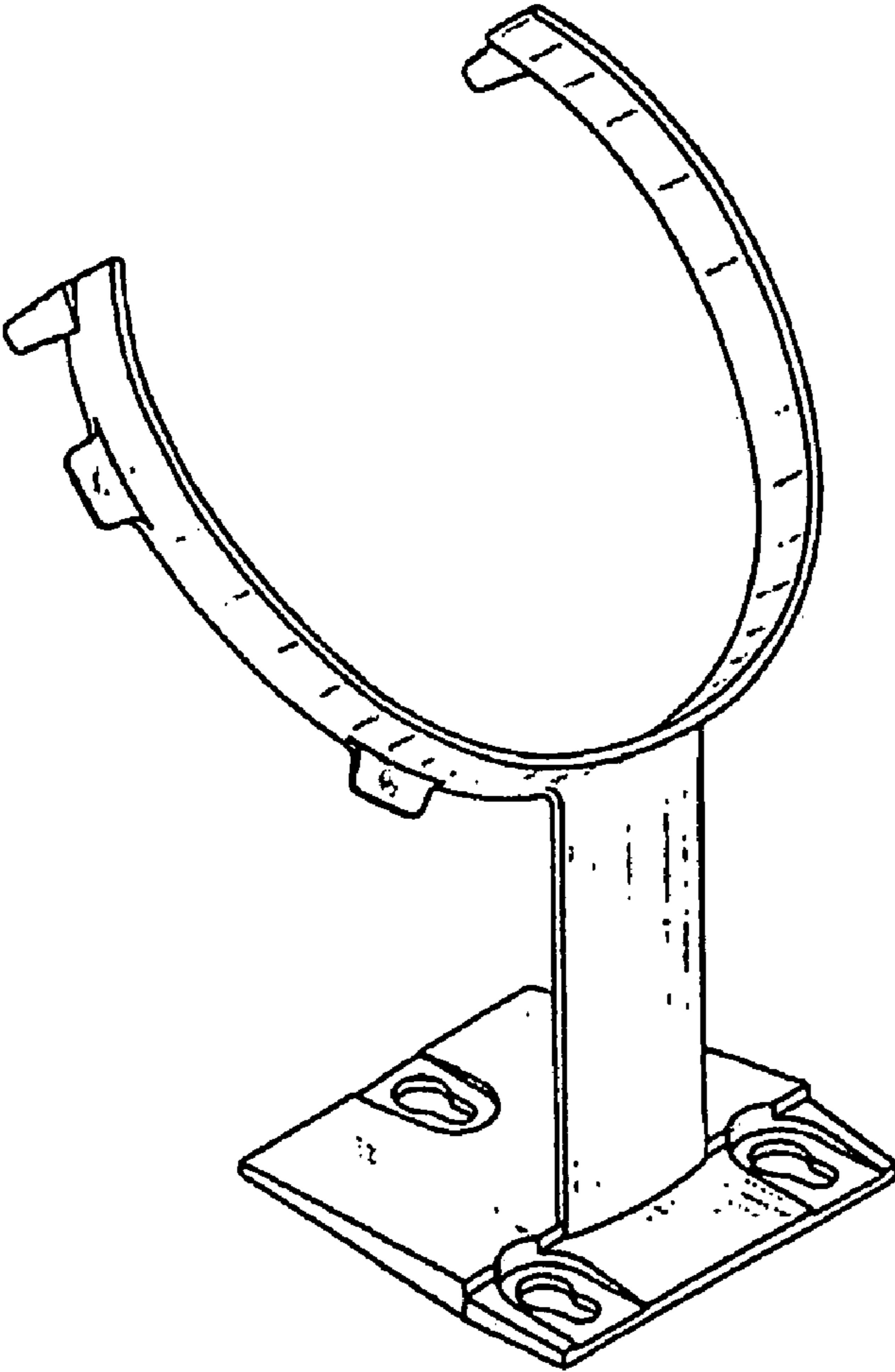


FIG. 2

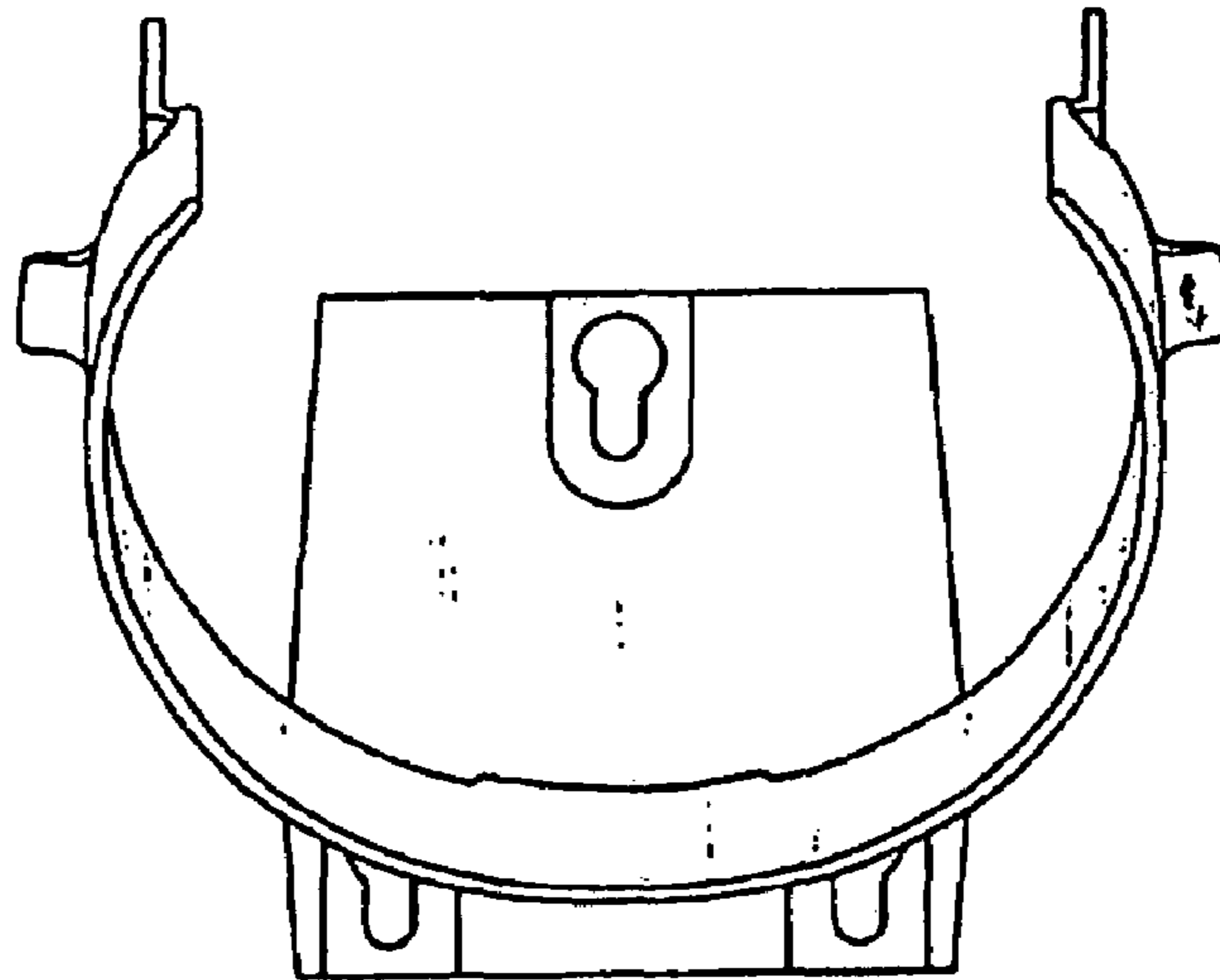


FIG. 3

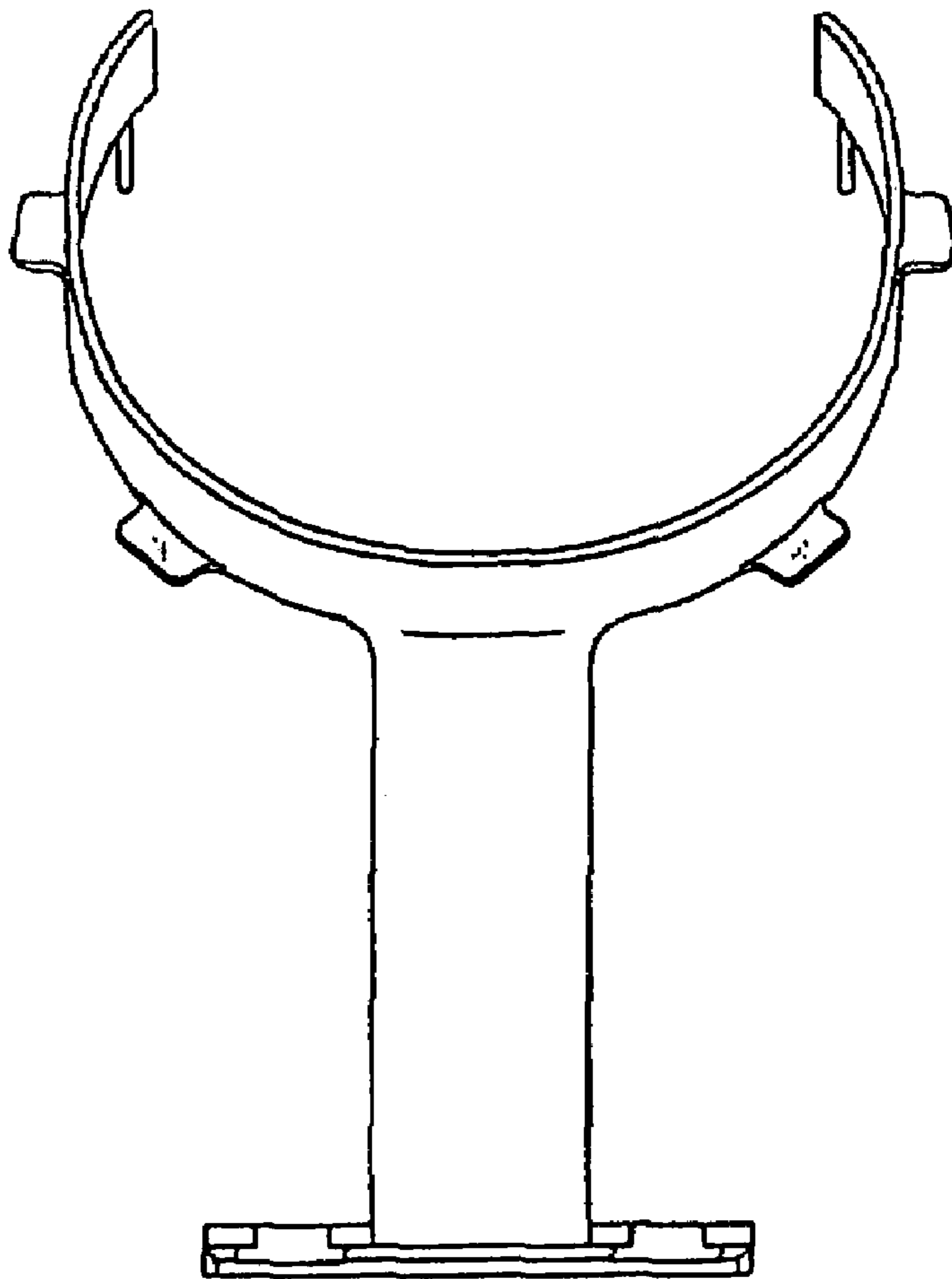


FIG. 4

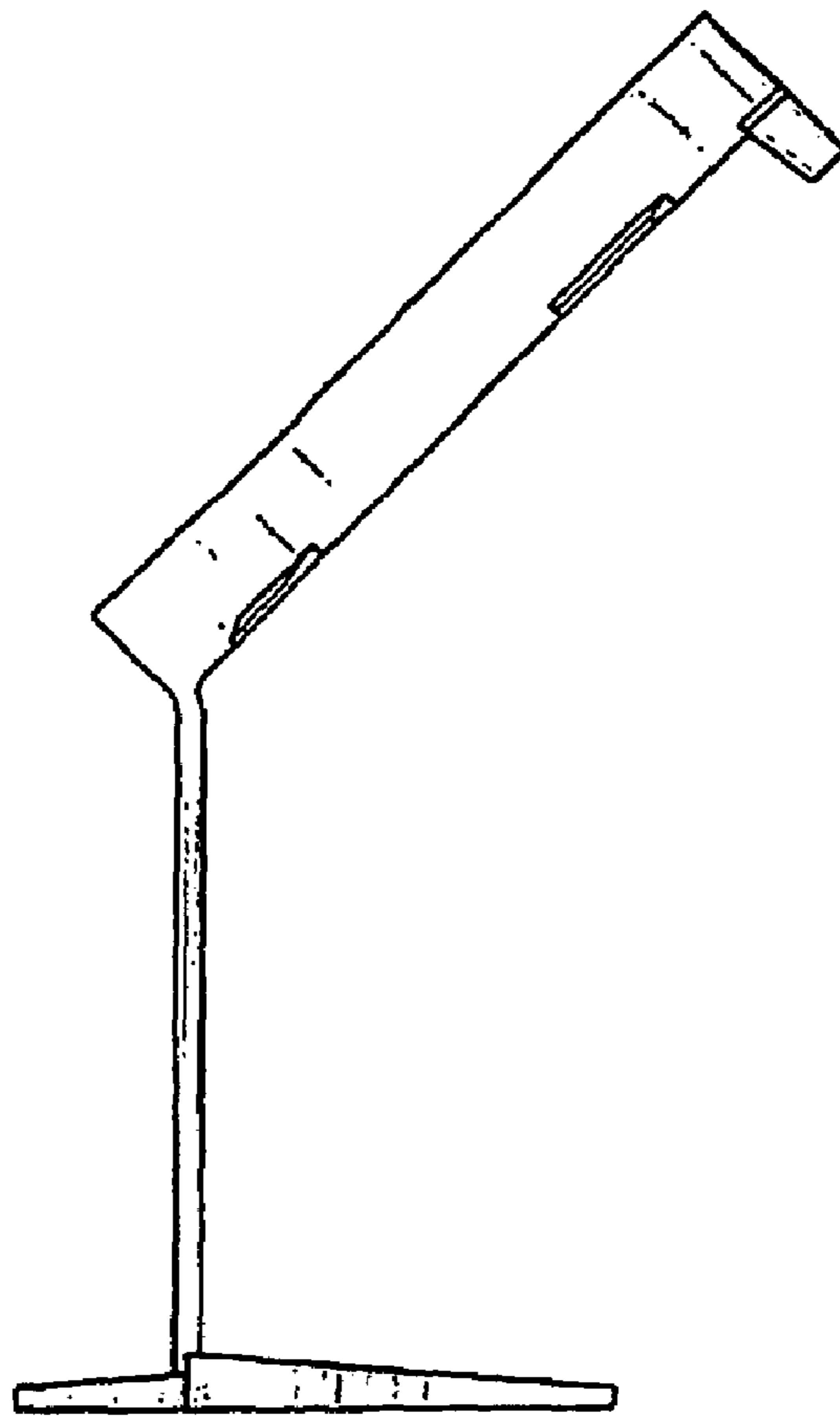


FIG. 5