



US00D600919S

(12) **United States Design Patent**  
**Chu et al.**

(10) **Patent No.:** **US D600,919 S**  
(45) **Date of Patent:** **\*\* Sep. 29, 2009**

(54) **BRIEFCASE**

(75) Inventors: **David Ching Chi Chu**, New York, NY (US); **Peter Chang-Lin Wu**, Franklin Park, NJ (US)

(73) Assignee: **Tumi, Inc.**, New York, NY (US)

(\*\*) Term: **14 Years**

(21) Appl. No.: **29/322,343**

(22) Filed: **Aug. 1, 2008**

(51) **LOC (9) Cl.** ..... **03-01**

(52) **U.S. Cl.** ..... **D3/321; D3/326**

(58) **Field of Classification Search** ..... None  
See application file for complete search history.

(56) **References Cited**

**U.S. PATENT DOCUMENTS**

D249,824 S *	10/1978	Koszegi .....	D3/268
D277,618 S *	2/1985	Bomes et al. ....	D3/287
D280,866 S *	10/1985	Bomes et al. ....	D3/287
D283,269 S *	4/1986	Durbin .....	D3/262
D283,465 S *	4/1986	Allen .....	D3/287
D302,211 S *	7/1989	Sears .....	D3/283
D317,081 S *	5/1991	King .....	D3/287
D360,978 S *	8/1995	Willard et al. ....	D3/301
D368,370 S *	4/1996	Tawil .....	D3/276
D377,415 S *	1/1997	Jacobs et al. ....	D3/206
D396,144 S *	7/1998	Farmer .....	D3/287
D399,057 S *	10/1998	Akutsu .....	D3/290
D401,063 S *	11/1998	Yamamoto et al. ....	D3/287
D465,086 S *	11/2002	Watts .....	D3/290
D469,252 S *	1/2003	Su .....	D3/289
D505,012 S *	5/2005	Godshaw et al. ....	D3/289
D522,238 S *	6/2006	Stulman .....	D3/243
D535,100 S *	1/2007	Suppancig .....	D3/283

D548,462 S *	8/2007	Aliberti et al. ....	D3/283
D548,965 S *	8/2007	Aliberti et al. ....	D3/283
2005/0029066 A1 *	2/2005	Redzisz .....	190/111

**OTHER PUBLICATIONS**

Photographs of various luggage samples from Jun. 2007.  
Luggage photographs alleged by Jack Georges to be from 1997 and 1998.

Schlesinger luggage photographs from a 1993 catalog.  
Dakota Adventure luggage from a 1998 catalog.

\* cited by examiner

*Primary Examiner*—Philip S. Hyder  
*Assistant Examiner*—Roselyne Cody

(74) *Attorney, Agent, or Firm*—Baker Botts L.L.P.

(57) **CLAIM**

The ornamental design for a briefcase, as shown and described.

**DESCRIPTION**

FIG. 1 is a perspective view of a briefcase showing our new design.

FIG. 2 is front view thereof;

FIG. 3 is a rear view thereof;

FIG. 4 is left side view thereof;

FIG. 5 is right side view thereof;

FIG. 6 is a top view thereof; and,

FIG. 7 is a bottom view thereof.

The broken lines on the straps and logo patch indicate stitching and are part of the claimed design. All other broken lines in the figures are illustrative of environment and form no part of the claimed design.

**1 Claim, 5 Drawing Sheets**





FIG. 1

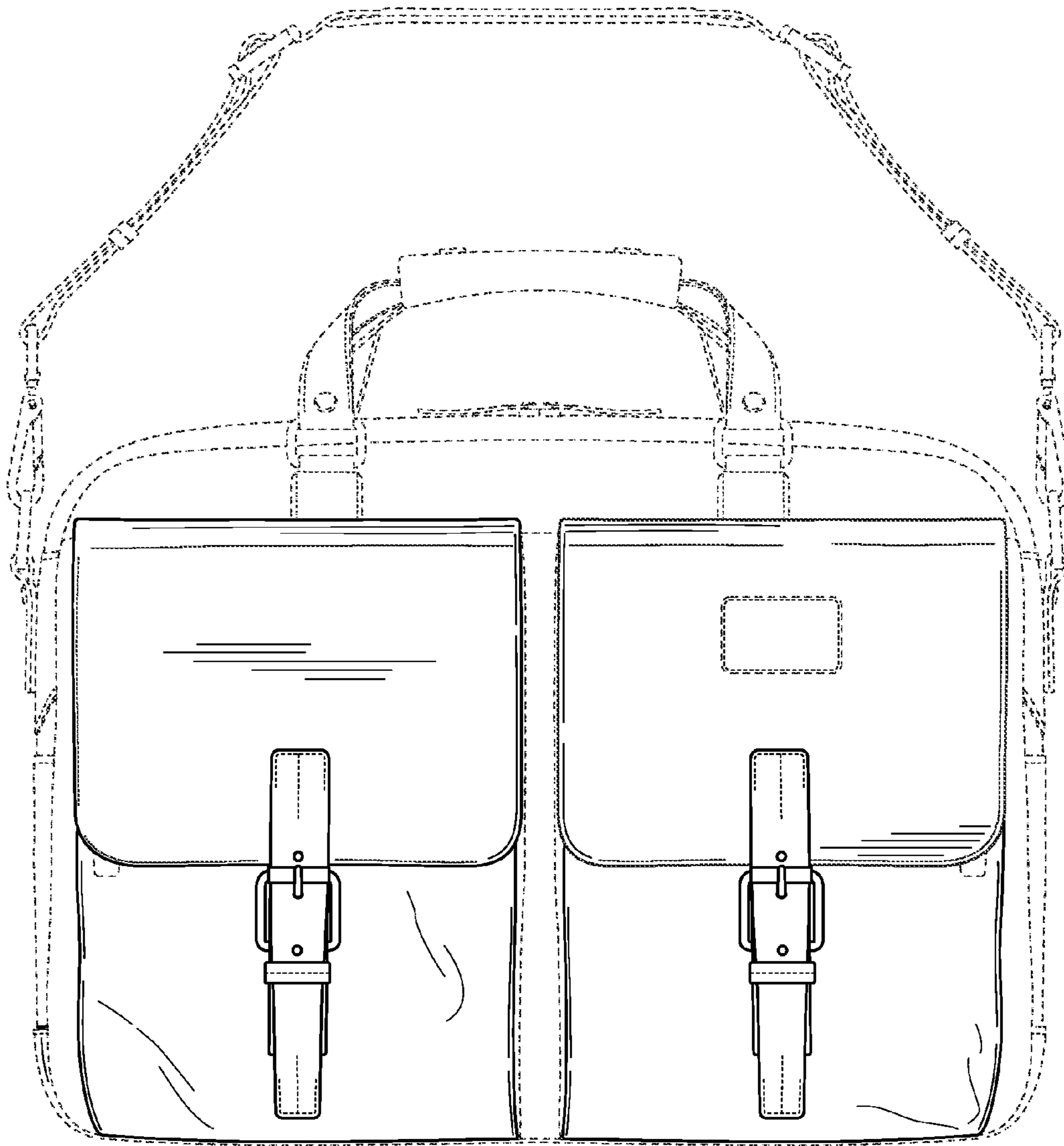


FIG. 2



FIG. 3

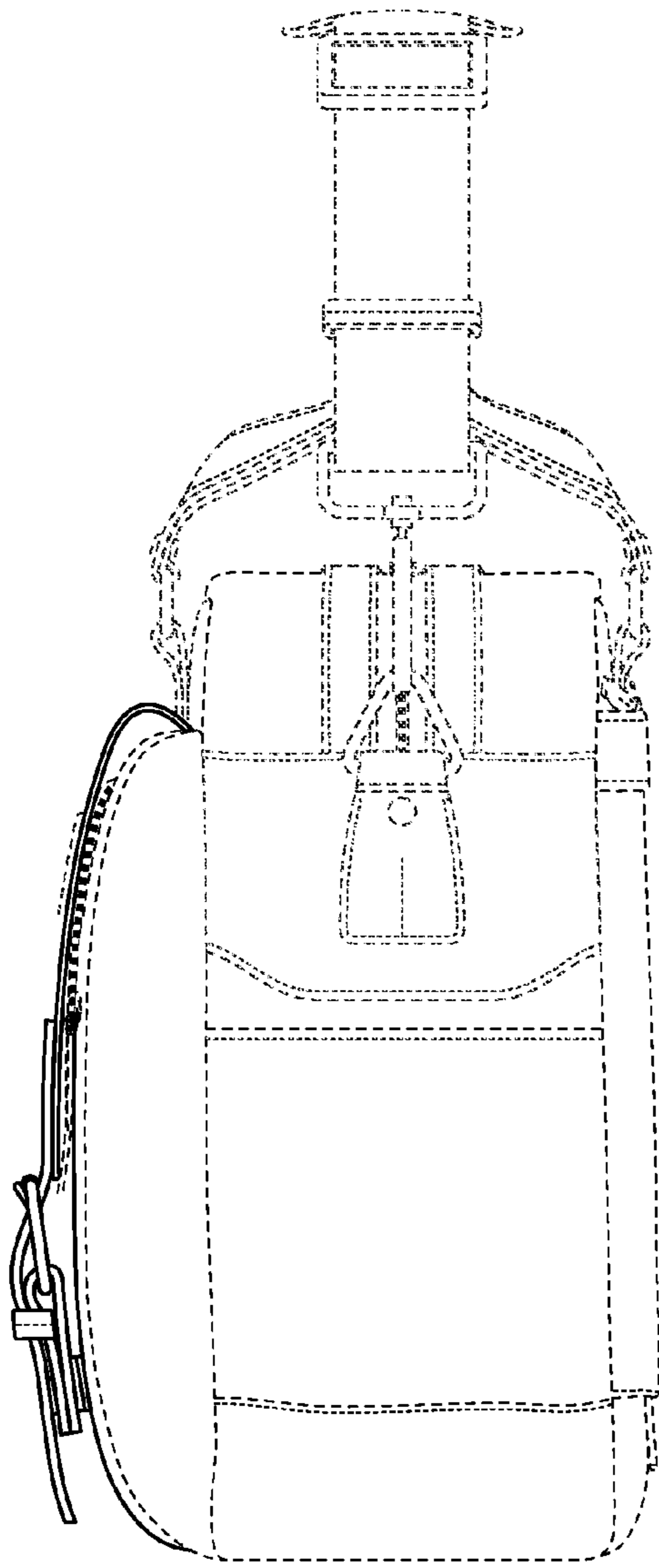


FIG. 4

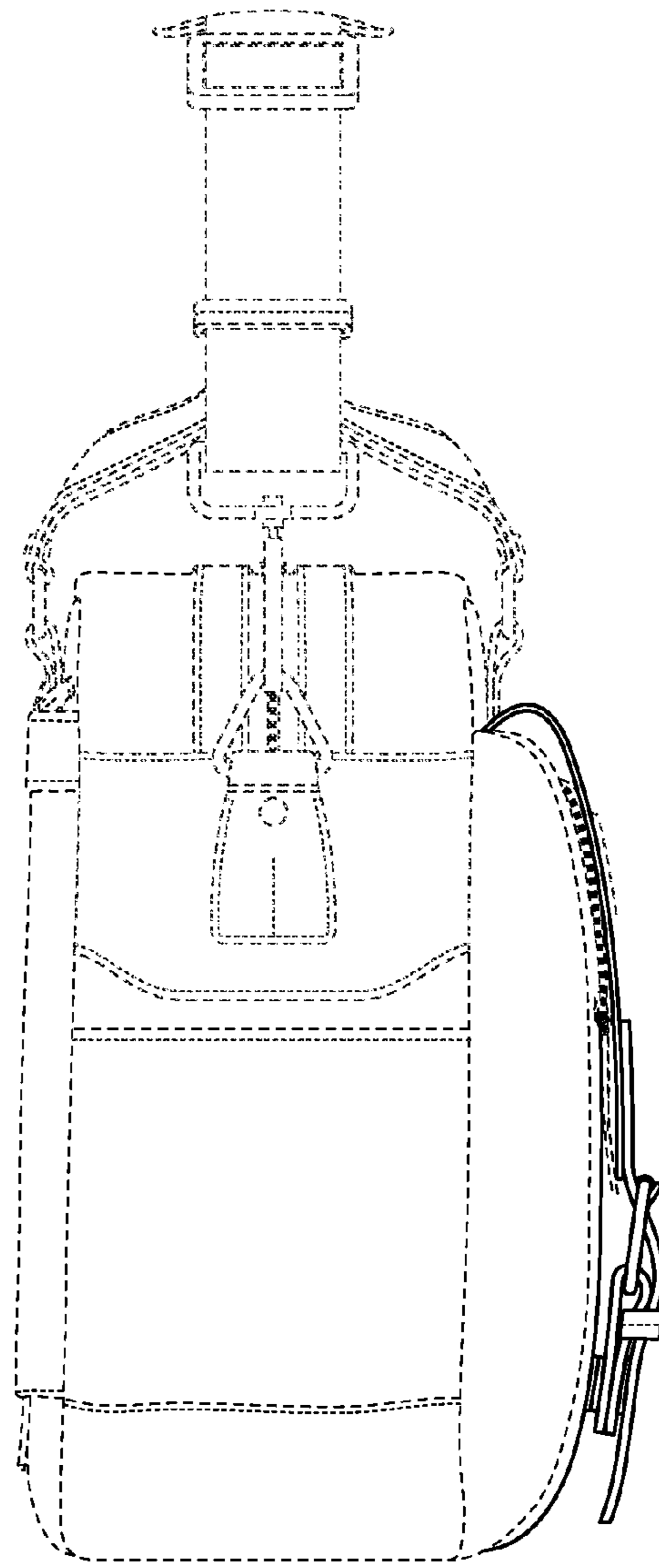


FIG. 5

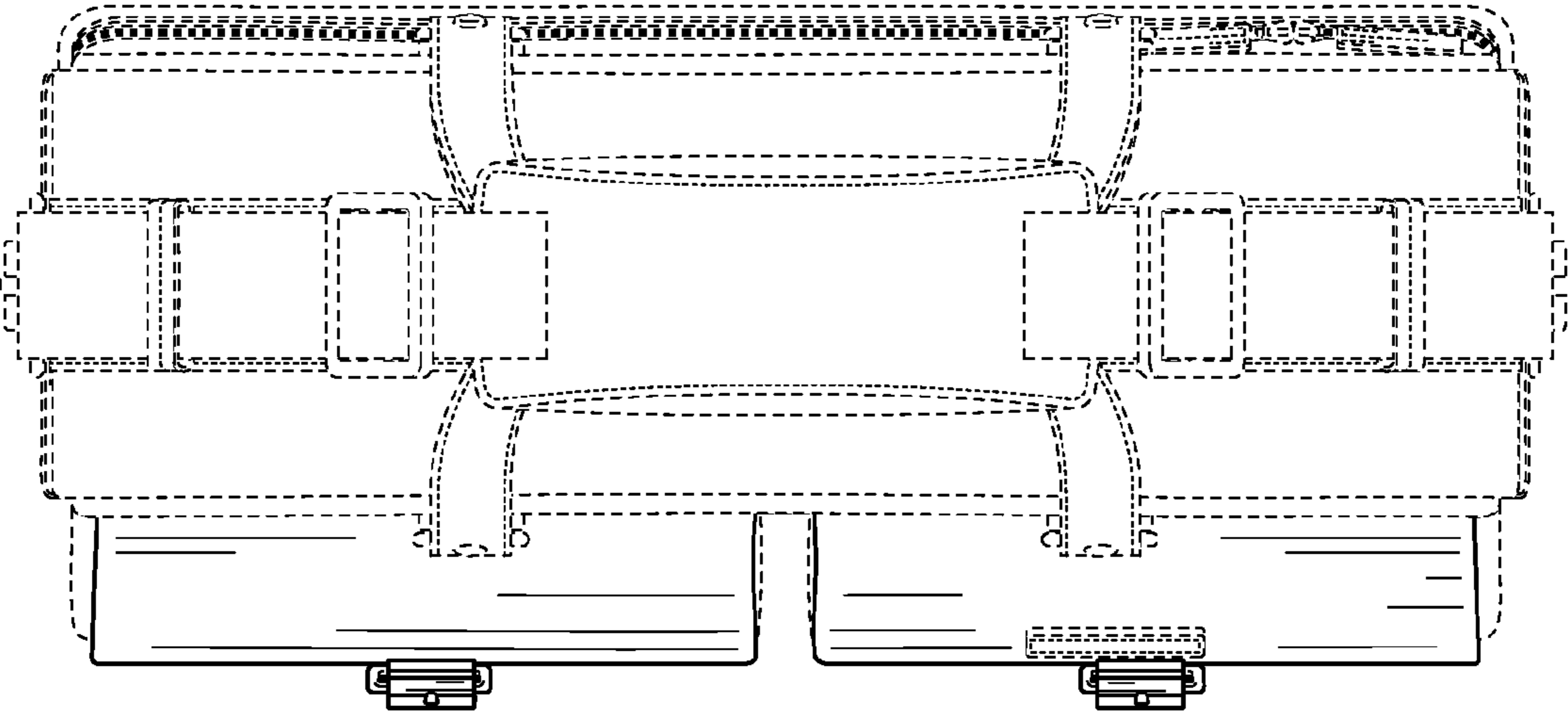


FIG. 6

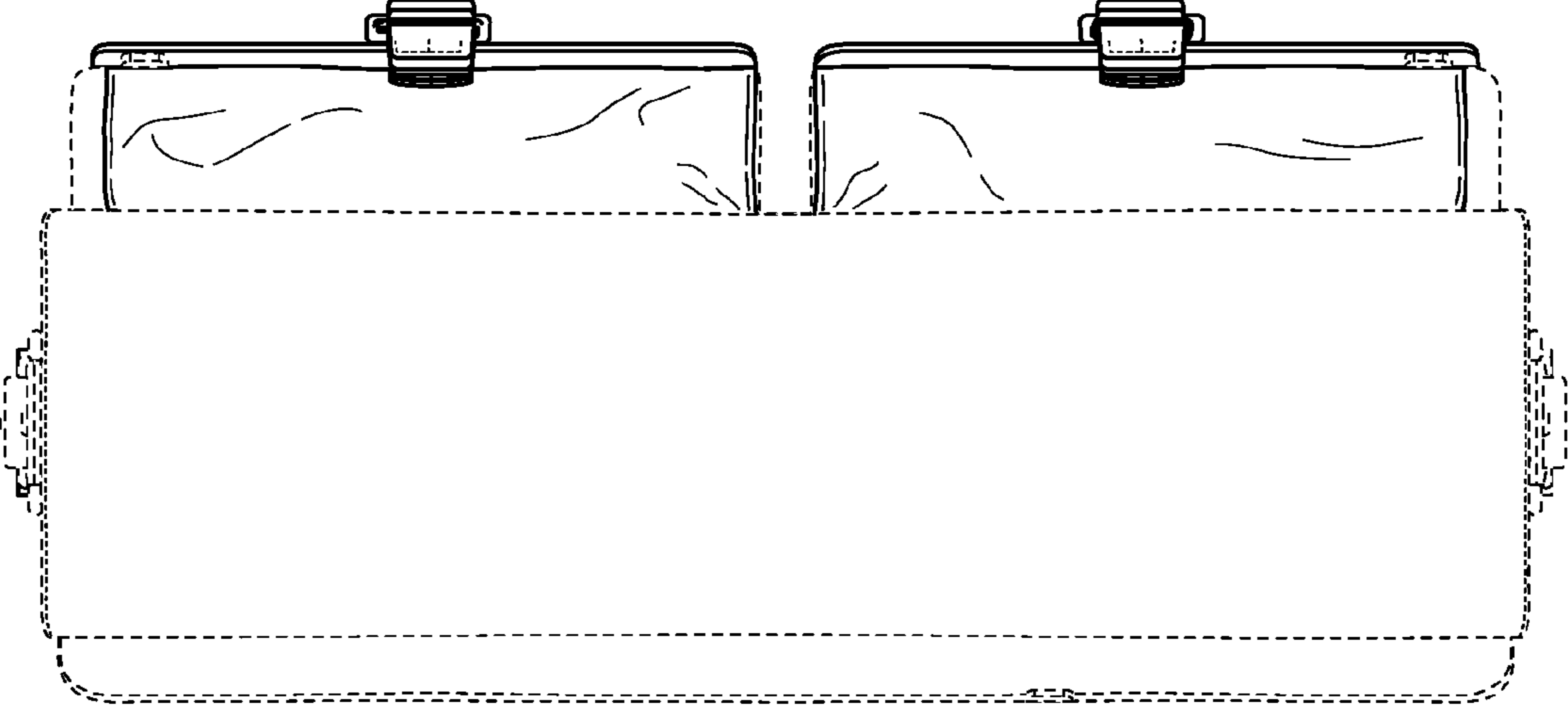


FIG. 7