



US00D600917S

(12) **United States Design Patent**  
**Meter**

(10) **Patent No.:** **US D600,917 S**

(45) **Date of Patent:** **\*\* Sep. 29, 2009**

(54) **CRATE**

(75) Inventor: **Tjitze Meter**, Veenendaal (NL)

(73) Assignee: **HatchTech Group B.V.**, Veenendaal (NL)

(\*\*) Term: **14 Years**

(21) Appl. No.: **29/293,375**

(22) Filed: **Nov. 19, 2007**

(30) **Foreign Application Priority Data**

May 23, 2007 (EM) ..... 000727730-0001

(51) **LOC (9) Cl.** ..... **03-01**

(52) **U.S. Cl.** ..... **D3/313**

(58) **Field of Classification Search** ..... D3/304-305,  
D3/307-309, 312, 314; 206/503, 505, 509;  
220/1.5, 6-7, 4.26, 4.28, 676, DIG. 2, DIG. 12,  
220/DIG. 14, DIG. 15

See application file for complete search history.

(56) **References Cited**

**U.S. PATENT DOCUMENTS**

D304,637 S \* 11/1989 Chabot ..... D3/314  
5,896,992 A \* 4/1999 McGrath ..... 206/507  
D439,049 S \* 3/2001 Koefeld ..... D3/304

6,260,706 B1 \* 7/2001 Koefeld ..... 206/505  
D446,015 S \* 8/2001 Apps ..... D3/304  
D446,939 S \* 8/2001 Koefeld ..... D3/307  
D540,541 S \* 4/2007 Liukko ..... D3/309  
2007/0187276 A1 \* 8/2007 Stahl ..... 206/505

\* cited by examiner

*Primary Examiner*—T. Chase Nelson

*Assistant Examiner*—Eric L Goodman

(74) *Attorney, Agent, or Firm*—Abelman, Frayne & Schwab

(57) **CLAIM**

The ornamental design for a crate, as shown and described.

**DESCRIPTION**

FIG. 1 is a left, top perspective view showing my new crate design;

FIG. 2 is a right-side, elevational view thereof;

FIG. 3 is a rear, elevational view thereof;

FIG. 4 is a left-side, elevational view thereof;

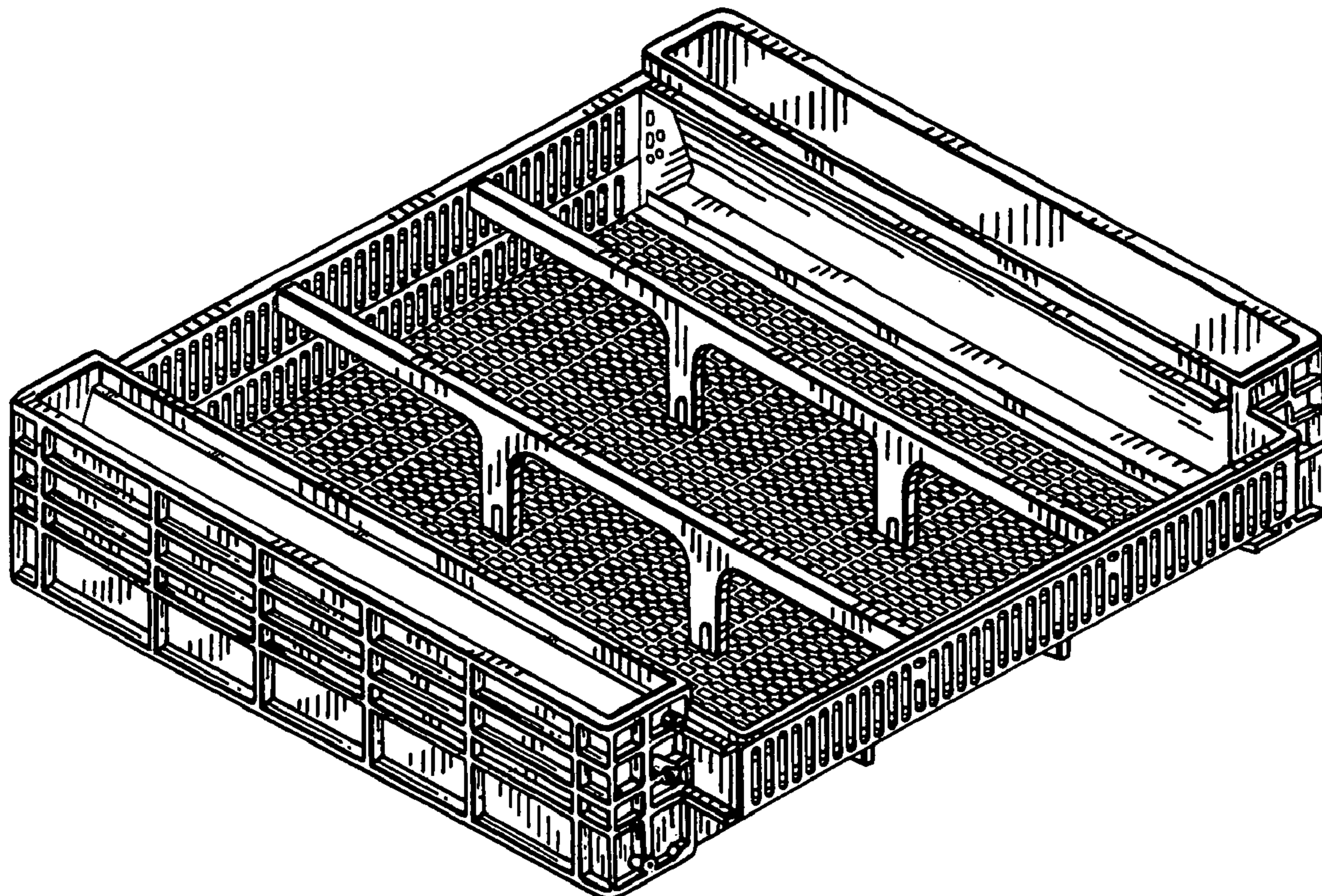
FIG. 5 is a front elevational view thereof;

FIG. 6 is a top elevational view thereof; and,

FIG. 7 is a bottom elevational view thereof.

The portions of the crate in broken lines form no part of the claimed design.

**1 Claim, 7 Drawing Sheets**



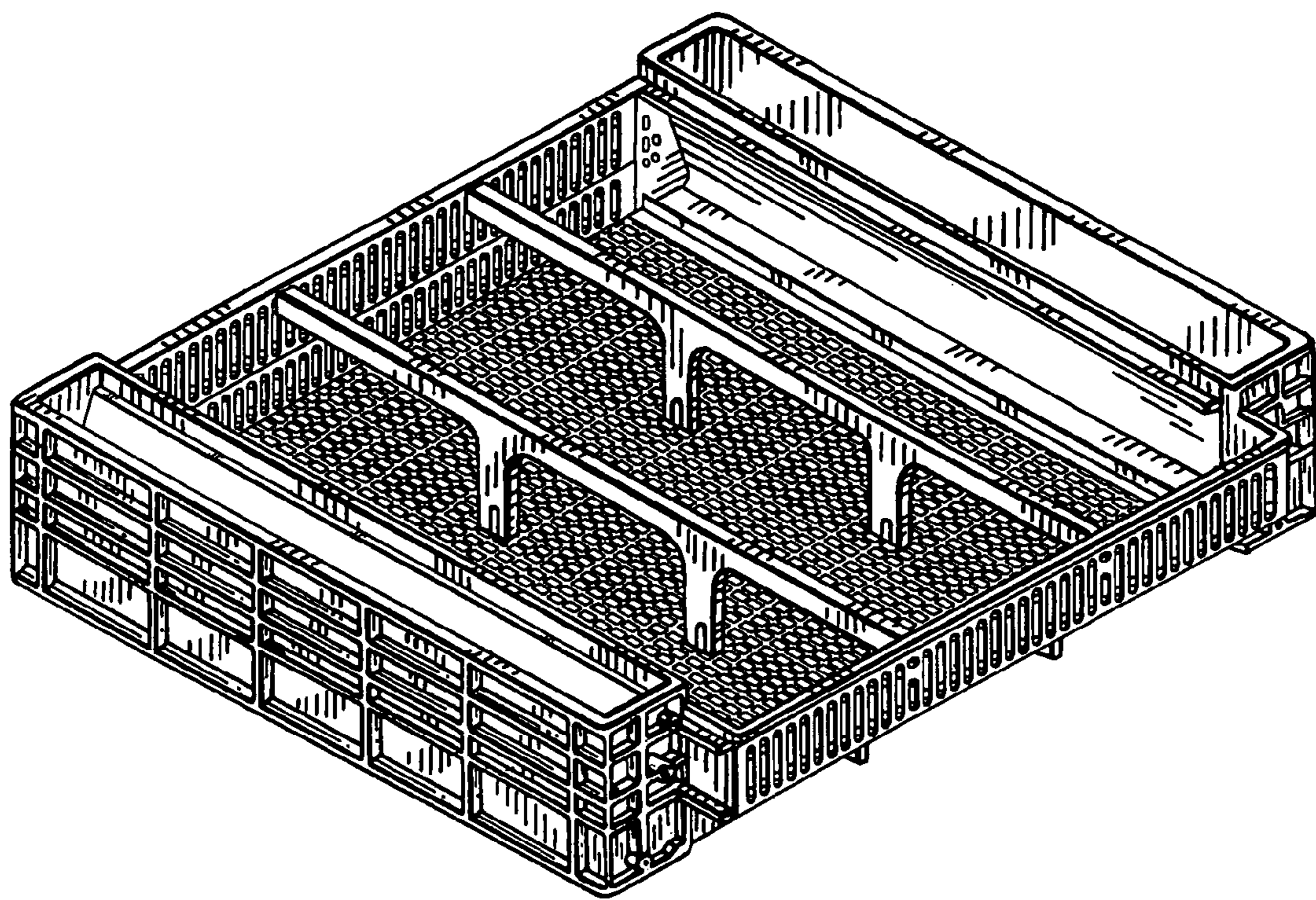
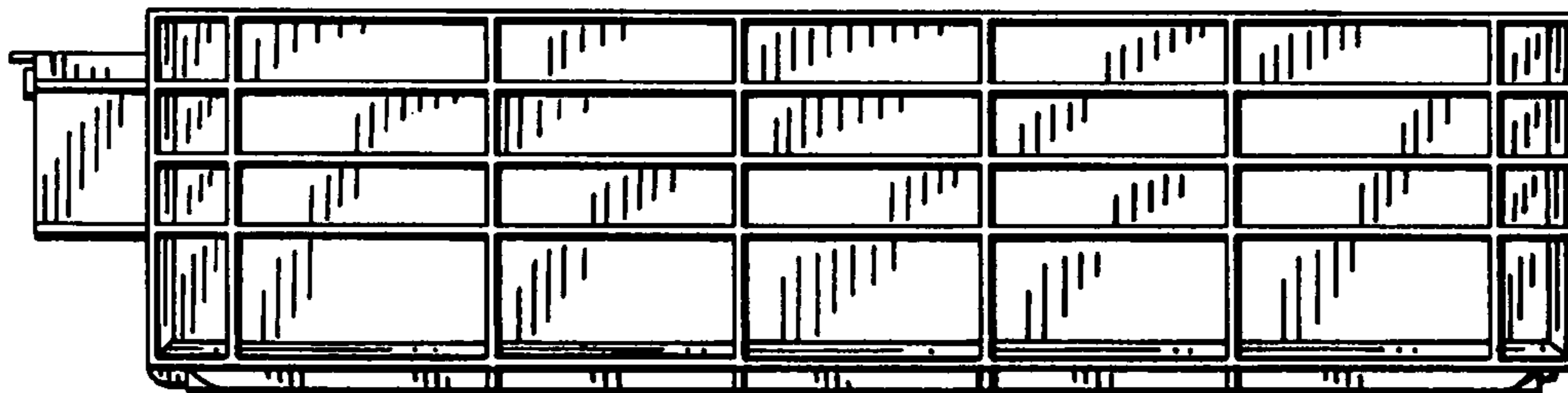


FIG. 1



*FIG. 2*

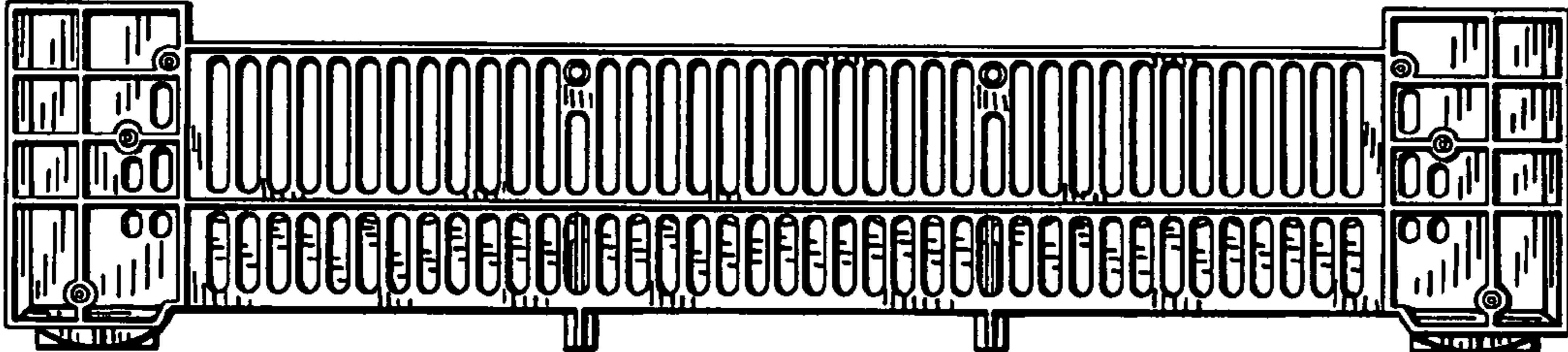
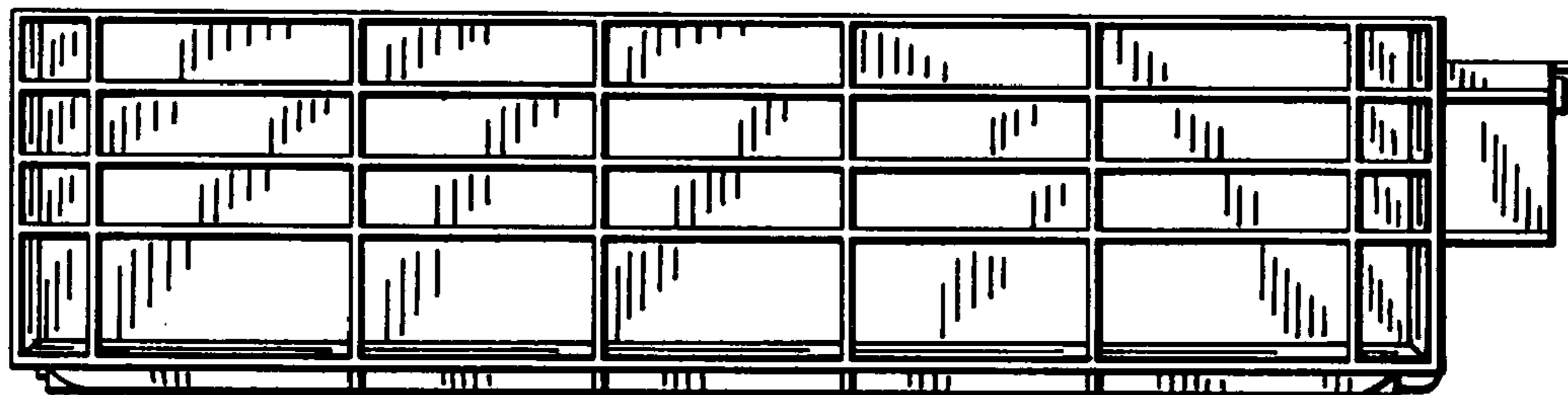


FIG. 3



*FIG. 4*

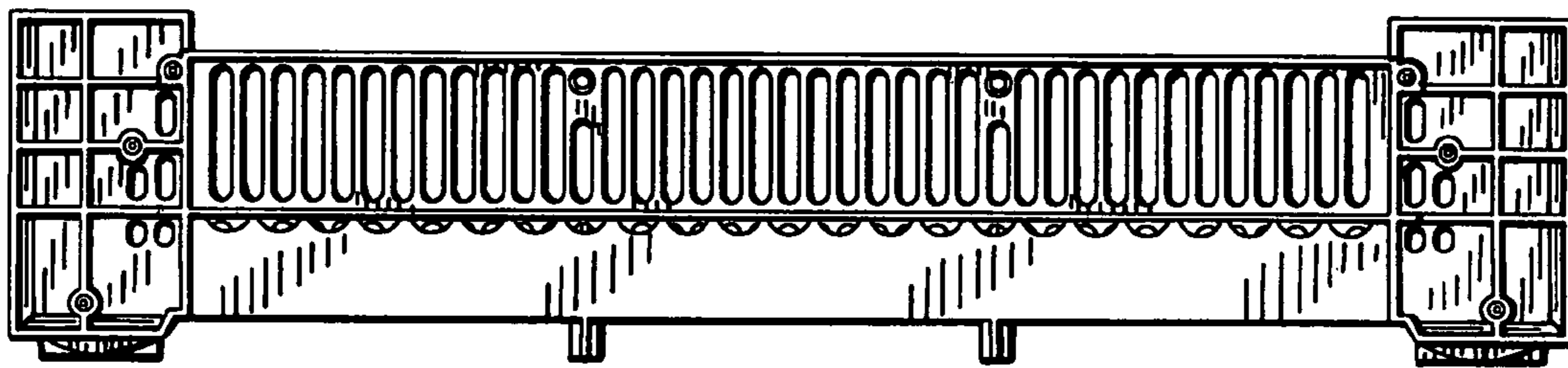


FIG. 5

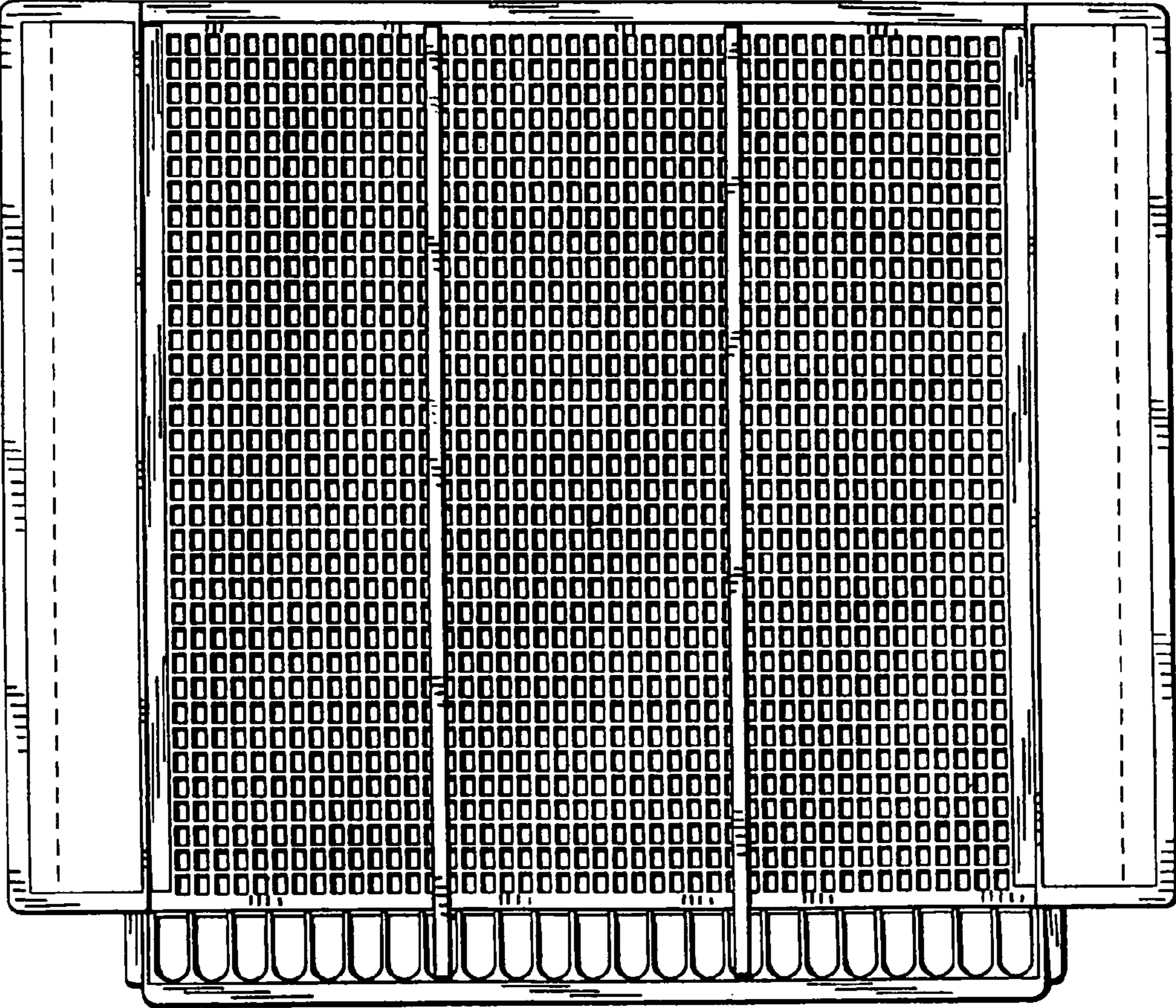


FIG. 6

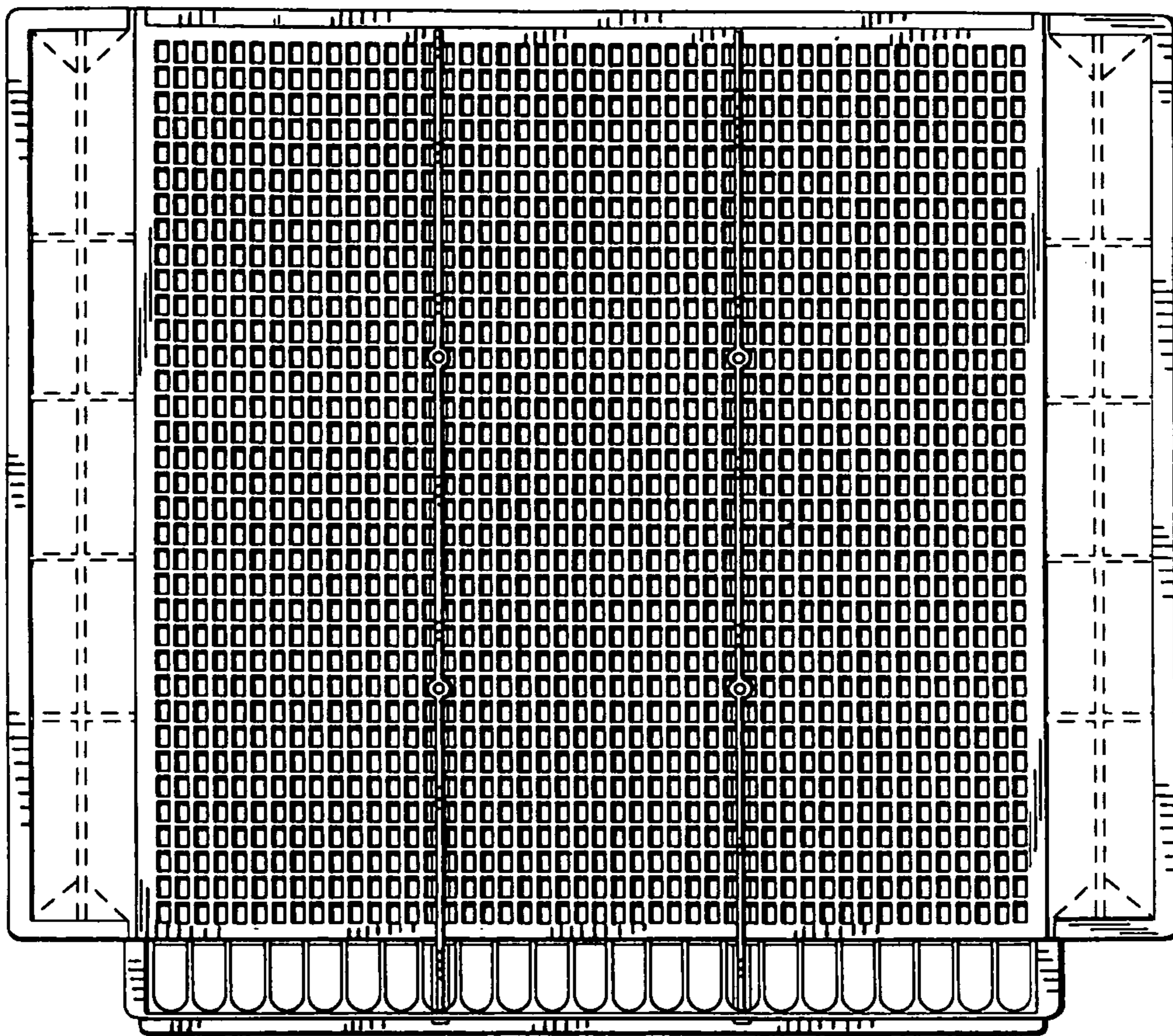


FIG. 7