



US00D600916S

(12) **United States Design Patent**
Schäfer

(10) **Patent No.:** **US D600,916 S**

(45) **Date of Patent:** **** Sep. 29, 2009**

(54) **CABLE-SPOOL CONTAINER**

(75) Inventor: **Gerhard Schäfer**, Neunkirchen (DE)

(73) Assignee: **Fritz Schafer GmbH**, Neunkirchen (DE)

(**) Term: **14 Years**

(21) Appl. No.: **29/269,408**

(22) Filed: **Nov. 29, 2006**

(30) **Foreign Application Priority Data**

Jul. 6, 2006 (DE) 4 06 03 475

(51) **LOC (9) Cl.** **03-01**

(52) **U.S. Cl.** **D3/304**

(58) **Field of Classification Search** D3/304-315,
D3/273; D9/424, 433; D7/353; 220/501,
220/507, 555, 503, 505

See application file for complete search history.

(56) **References Cited**

U.S. PATENT DOCUMENTS

1,935,920	A *	11/1933	Schultz	206/509
3,375,953	A *	4/1968	Miller, Jr.	206/506
D246,872	S *	1/1978	White	D3/304
D252,179	S *	6/1979	Cherry	D7/629
4,682,727	A *	7/1987	Stoll	229/114
D395,756	S *	7/1998	Tanji	D3/312
D398,151	S *	9/1998	Ahern, Jr.	D3/304
D423,218	S *	4/2000	Weiss et al.	D3/313
D424,297	S *	5/2000	Story et al.	D3/281
D427,769	S *	7/2000	Zimmerman	D3/302
D427,770	S *	7/2000	Conti	D3/314

D431,362	S *	10/2000	Conti	D3/314
D448,567	S *	10/2001	Buss	D3/310
D495,490	S *	9/2004	Garrett et al.	D3/304
D496,162	S *	9/2004	Garrett et al.	D3/304
D500,924	S *	1/2005	Martin et al.	D3/302
D543,030	S *	5/2007	Schafer	D3/272

* cited by examiner

Primary Examiner—T. Chase Nelson

Assistant Examiner—Eric L Goodman

(74) *Attorney, Agent, or Firm*—Andrew Wilford

(57) **CLAIM**

The ornamental design for a cable-spool container, as shown and described.

DESCRIPTION

FIG. 1 is a front perspective view from above of the cable-spool container according to the invention with the front end wall closed;

FIG. 2 is a front perspective view of the closed container;

FIG. 3 is a bottom perspective view of the closed container;

FIG. 4 is a front perspective view of the container with the front end wall opened;

FIG. 5 is a side perspective view of the front end of the opened container;

FIG. 6 is an end view of the container; and,

FIG. 7 is a side view of the container.

The broken line showing is included for the purpose of illustrating portions of the article and forms no part of the claimed design.

1 Claim, 7 Drawing Sheets

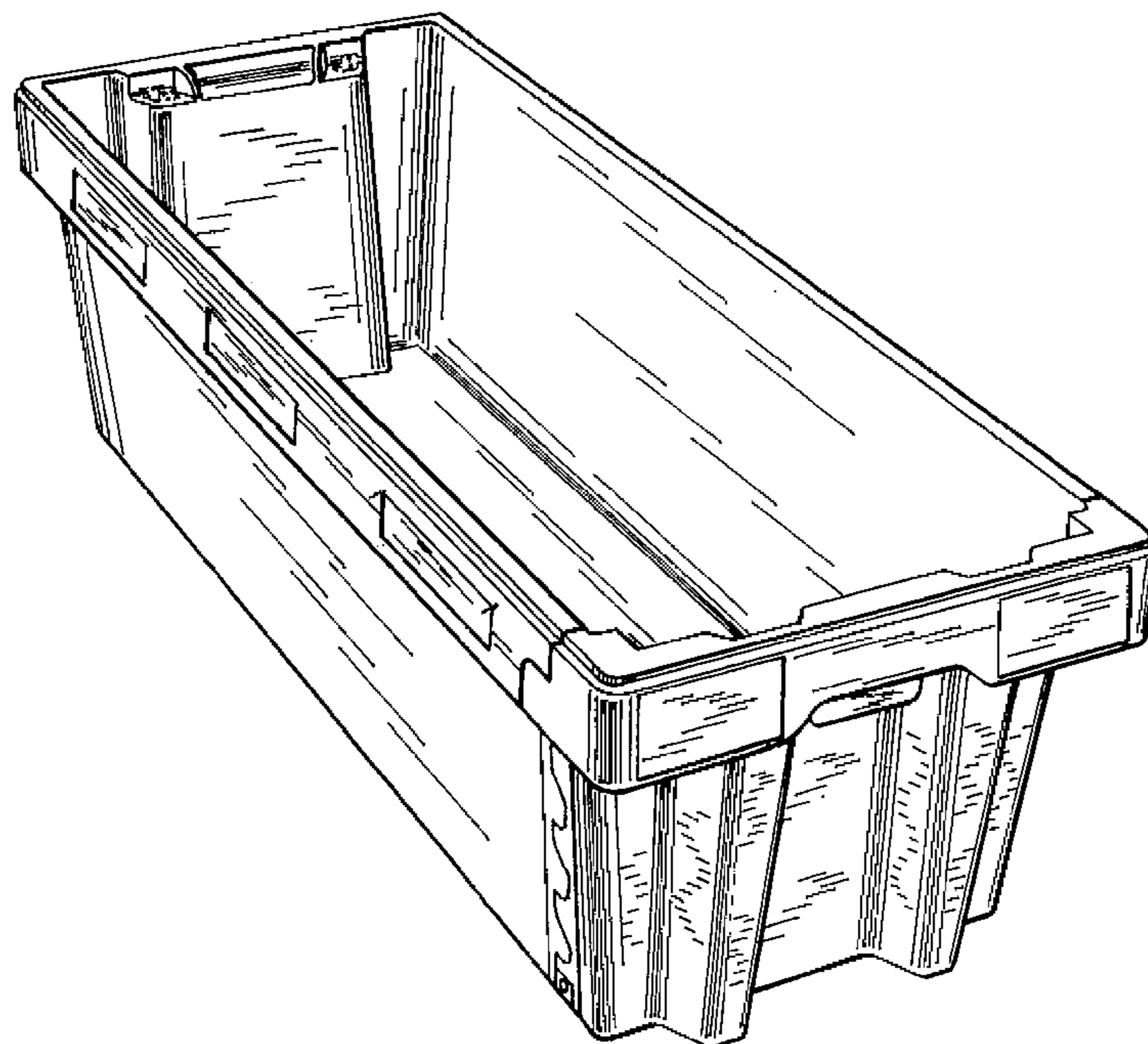


Fig. 1

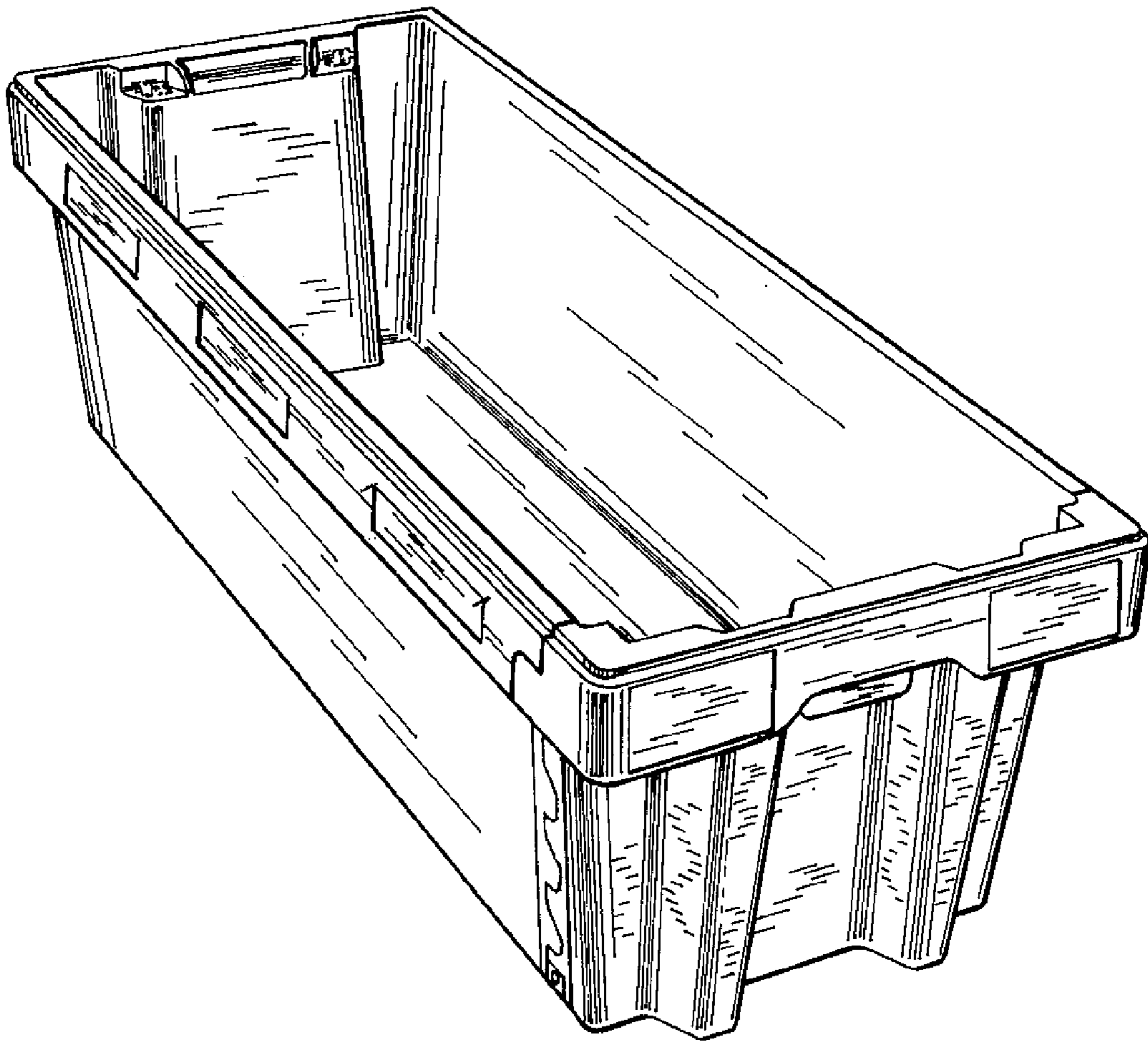


Fig. 2

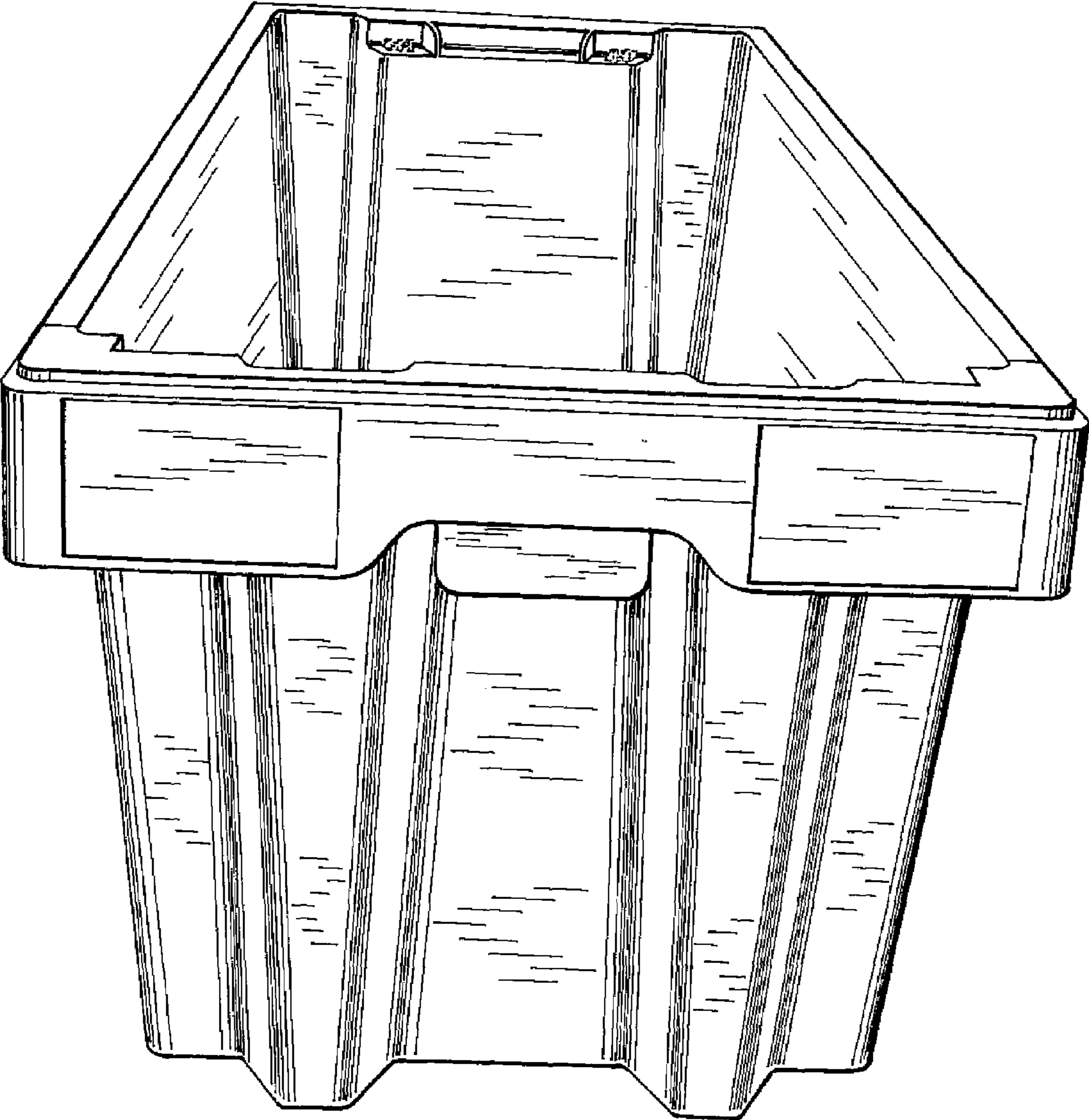


Fig. 3

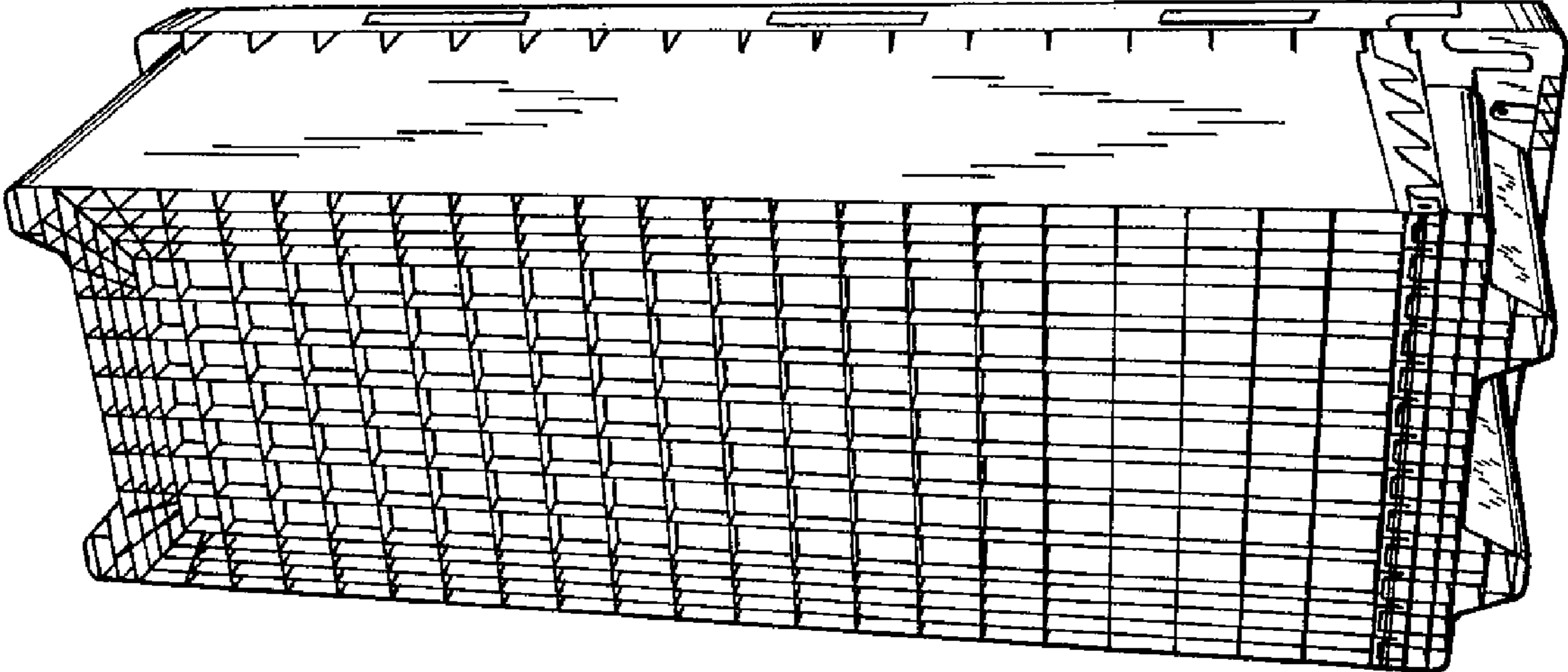


Fig. 4

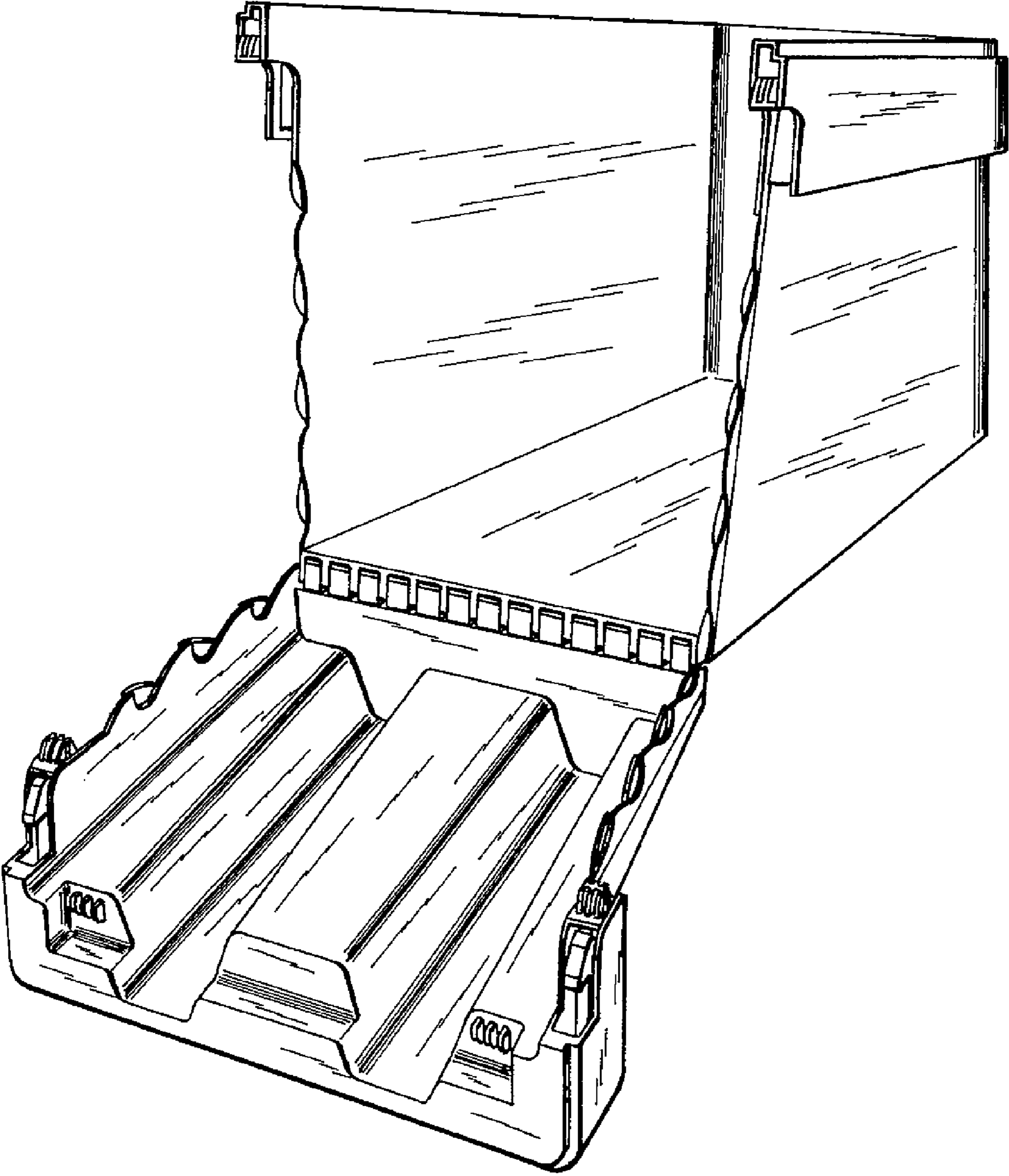
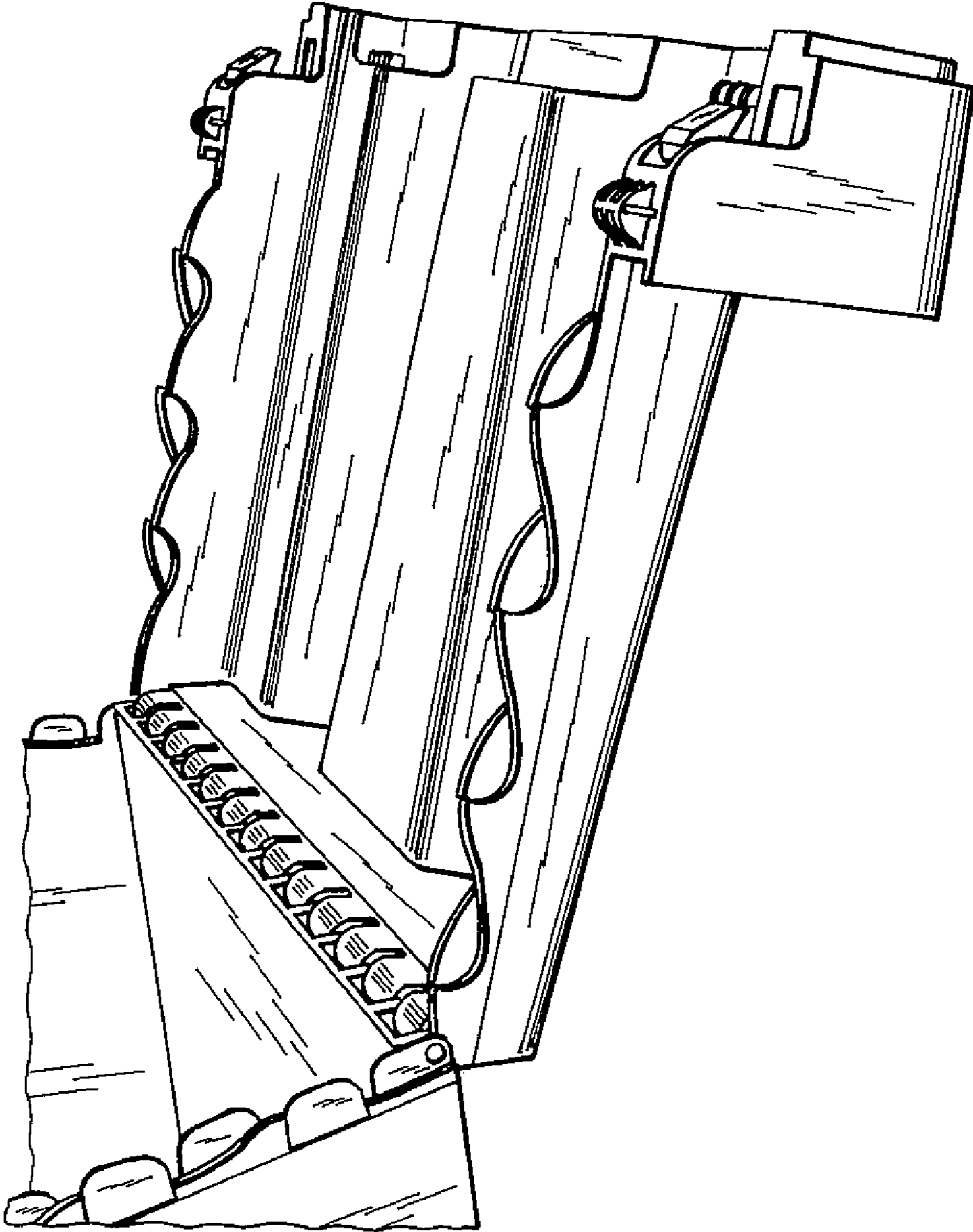


Fig. 5



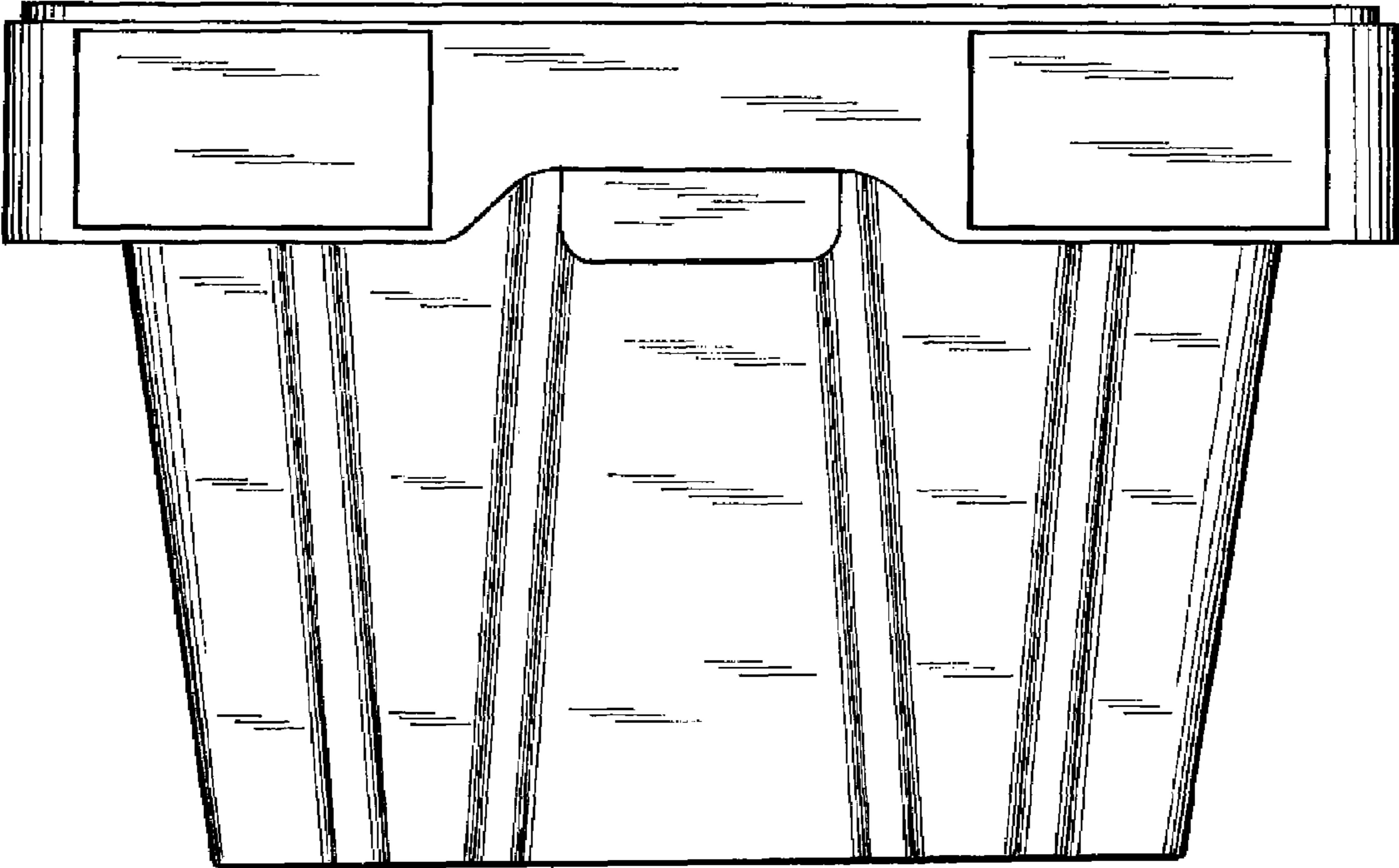


Fig.6

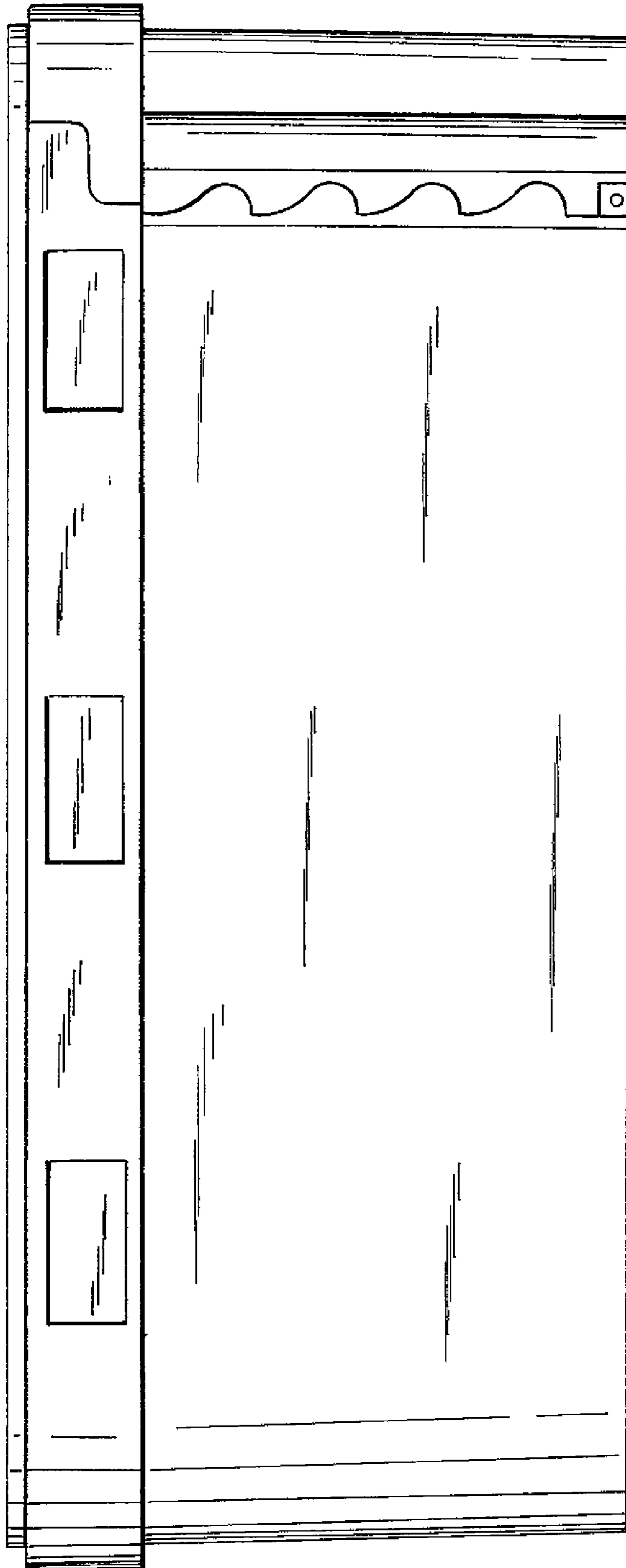


Fig. 7