



US00D600915S

(12) **United States Design Patent**  
**Vuillot et al.**

(10) **Patent No.:** **US D600,915 S**

(45) **Date of Patent:** **\*\* Sep. 29, 2009**

(54) **CONTAINER**

(75) Inventors: **Jean Marc Vuillot**, Cuisery (FR); **Lars Pudselykke**, Holbaek (DK); **Torben Noer**, Beder (DK)

(73) Assignee: **Superfos A/S**, Vipperod (DK)

(\*\*) Term: **14 Years**

(21) Appl. No.: **29/263,445**

(22) Filed: **Jul. 24, 2006**

(30) **Foreign Application Priority Data**

Jan. 23, 2006 (EM) ..... 466818

(51) **LOC (9) Cl.** ..... **23-01**

(52) **U.S. Cl.** ..... **D3/304**

(58) **Field of Classification Search** ..... D3/304-315,  
D3/272-274, 276, 281, 291, 294; D32/53;  
D9/424; 206/349, 372-373, 508; 220/771,  
220/782, 784, 752, 773

See application file for complete search history.

(56) **References Cited**

**U.S. PATENT DOCUMENTS**

D28,326	S	*	3/1898	Joy	.....	D32/53
904,337	A	*	11/1908	Lee	.....	220/758
1,552,134	A	*	9/1925	Frey	.....	220/285
1,700,215	A	*	1/1929	Brinker	.....	220/769
2,693,307	A	*	11/1954	Goodwin	.....	229/5.5
2,851,187	A	*	9/1958	Hall	.....	220/765
3,065,875	A	*	11/1962	Negoro	.....	220/784
D199,594	S	*	11/1964	Rathaus	.....	D32/53
4,997,098	A		3/1991	Buza et al.		
D352,143	S	*	11/1994	Arshinoff	.....	D32/53
D466,407	S	*	12/2002	Nance	.....	D9/424

D469,352	S	*	1/2003	Conti	.....	D9/428
D503,534	S	*	4/2005	Dong	.....	D3/276
D506,608	S	*	6/2005	Dong	.....	D3/276
D526,481	S	*	8/2006	Dong	.....	D3/276
D546,514	S	*	7/2007	Byrne	.....	D32/53
D556,451	S	*	12/2007	McDonald	.....	D3/294
2004/0188451	A1		9/2004	Karlsson		
2004/0195280	A1		10/2004	Shackelford		

**FOREIGN PATENT DOCUMENTS**

GB 1128292 9/1968

\* cited by examiner

*Primary Examiner*—T. Chase Nelson

*Assistant Examiner*—Eric L Goodman

(74) *Attorney, Agent, or Firm*—Dykema Gossett PLLC

(57) **CLAIM**

The ornamental design for a container, as shown and described.

**DESCRIPTION**

FIG. 1 shows a perspective front view of a container showing our new design,

FIG. 2 is an elevational rear view thereof,

FIG. 3 is top plan view thereof,

FIG. 4 is a bottom plan view thereof,

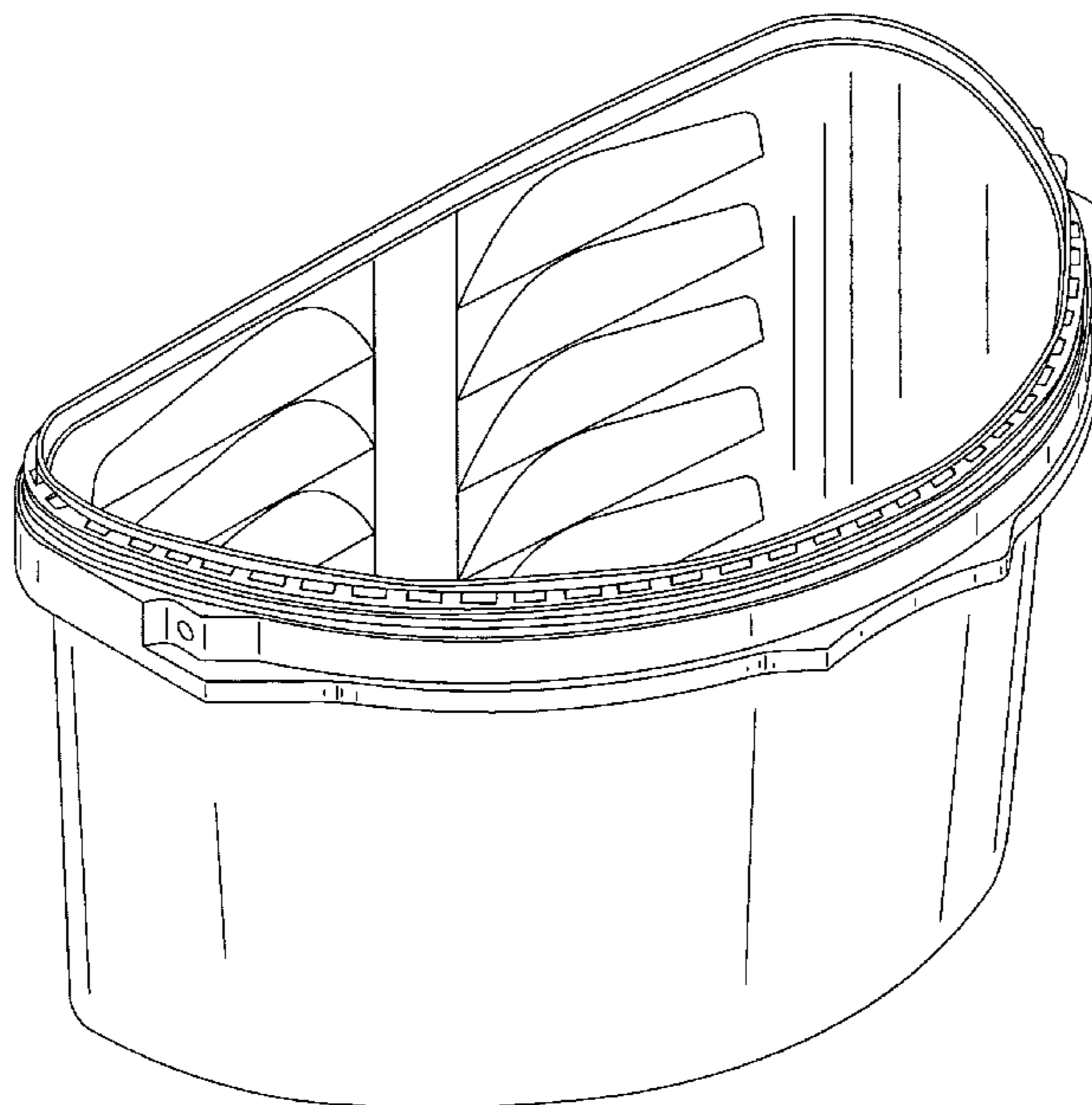
FIG. 5 is a left side elevational view thereof,

FIG. 6 is a cross section through line 6—6 in FIG. 2; and,

FIG. 7 is a cross section through line 7—7 in FIG. 2.

The broken line showing is included for the purpose of illustrating portions of the article that form no part of the claimed design.

**1 Claim, 4 Drawing Sheets**



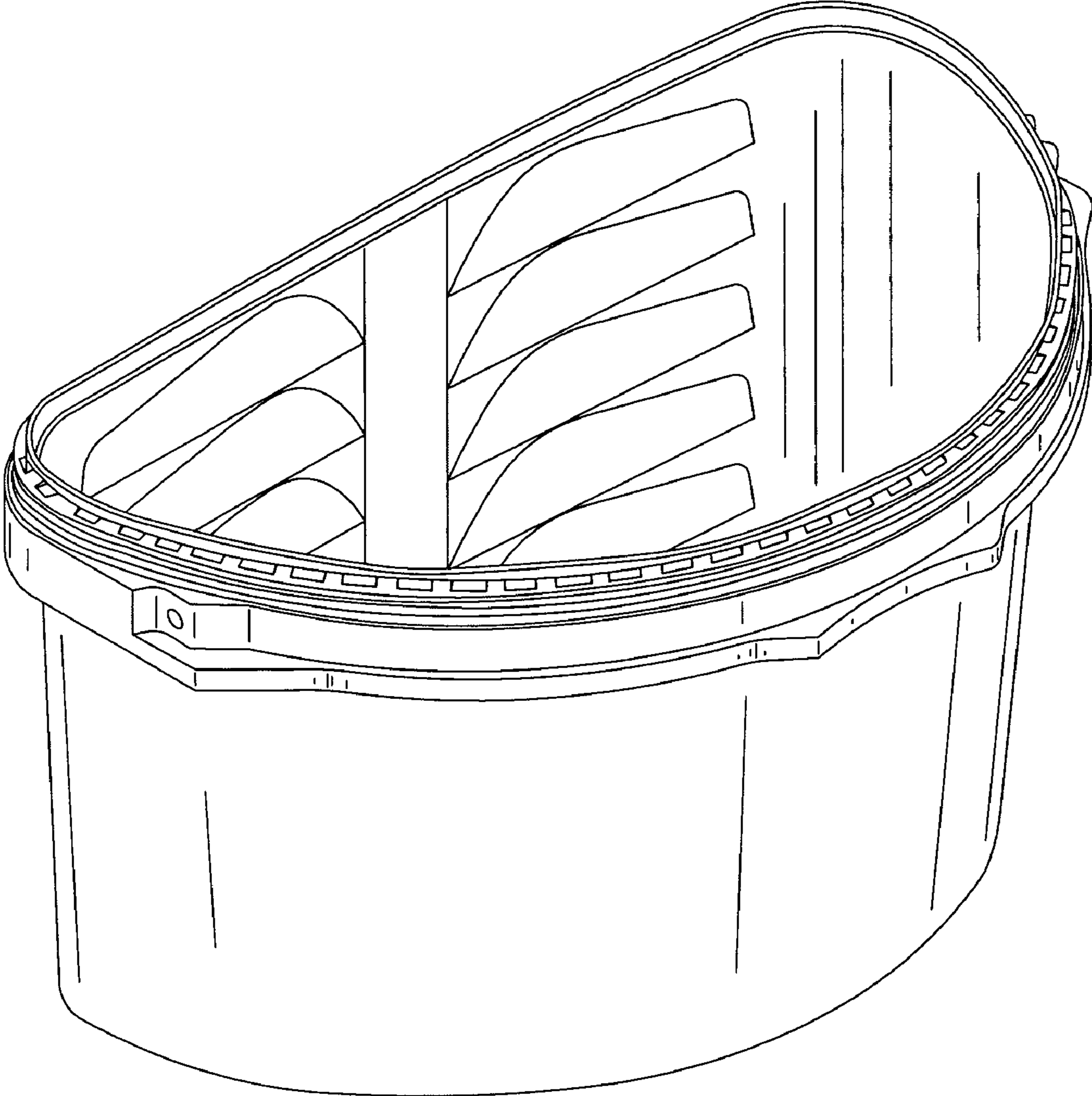
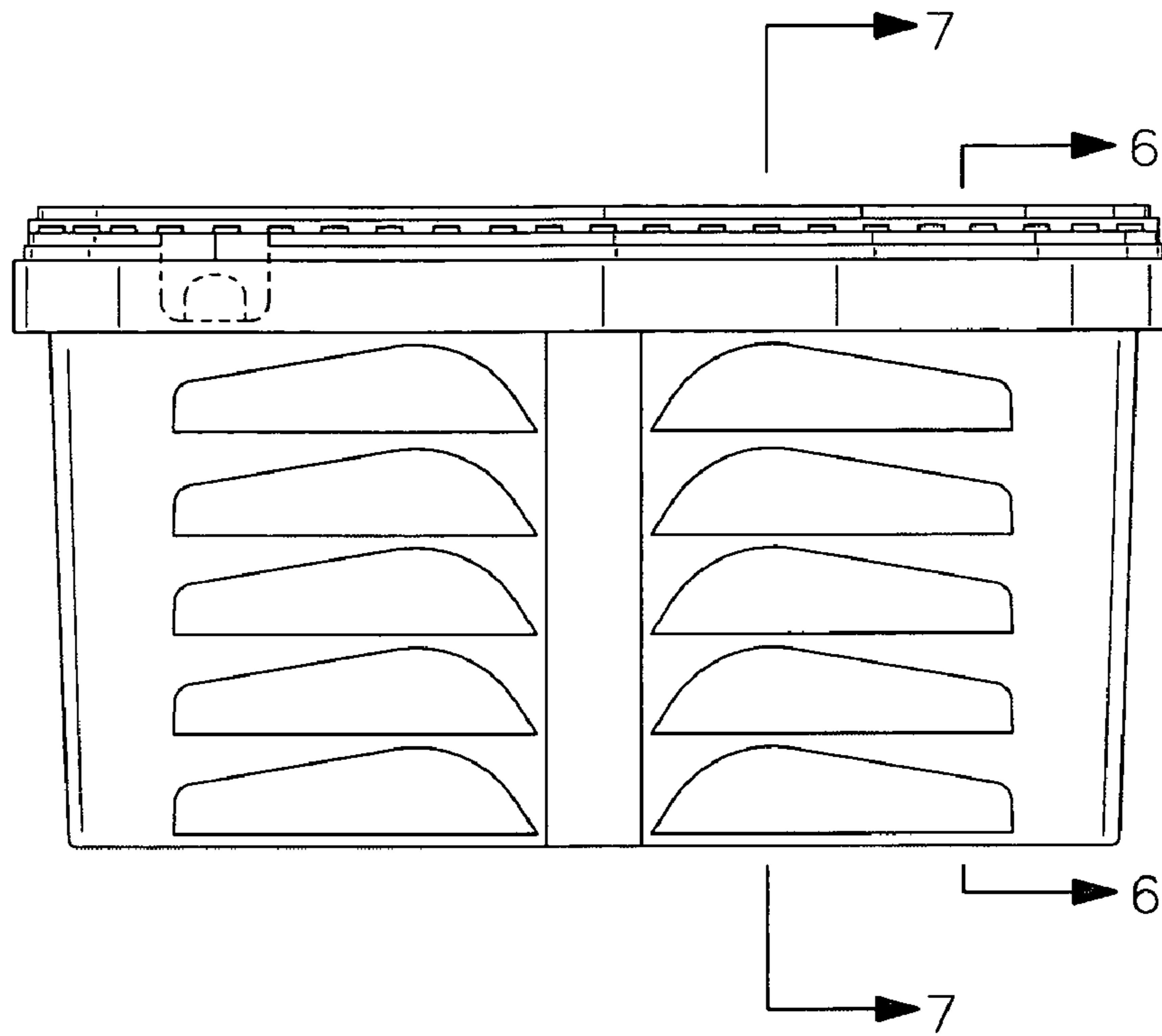
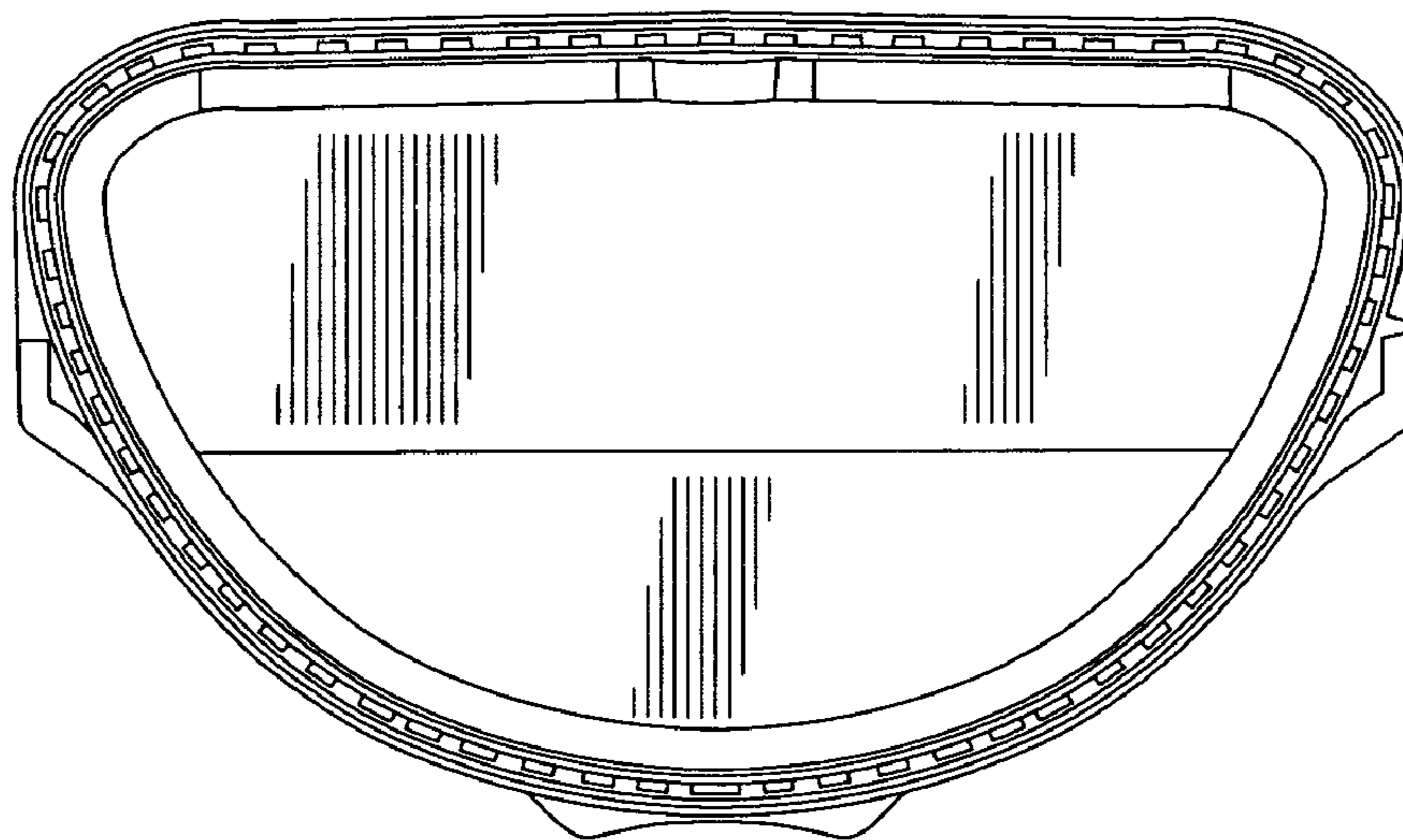


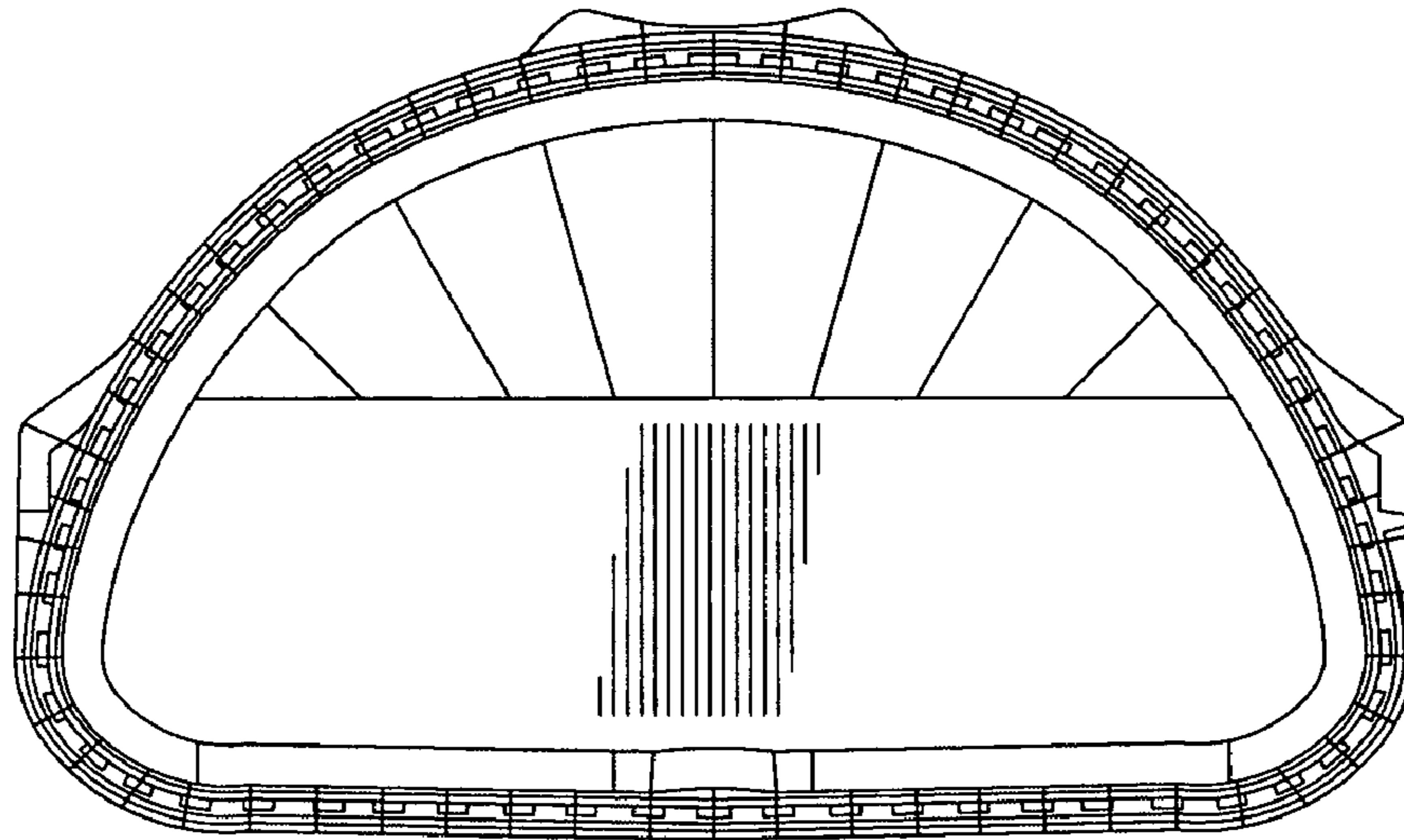
FIG. 1



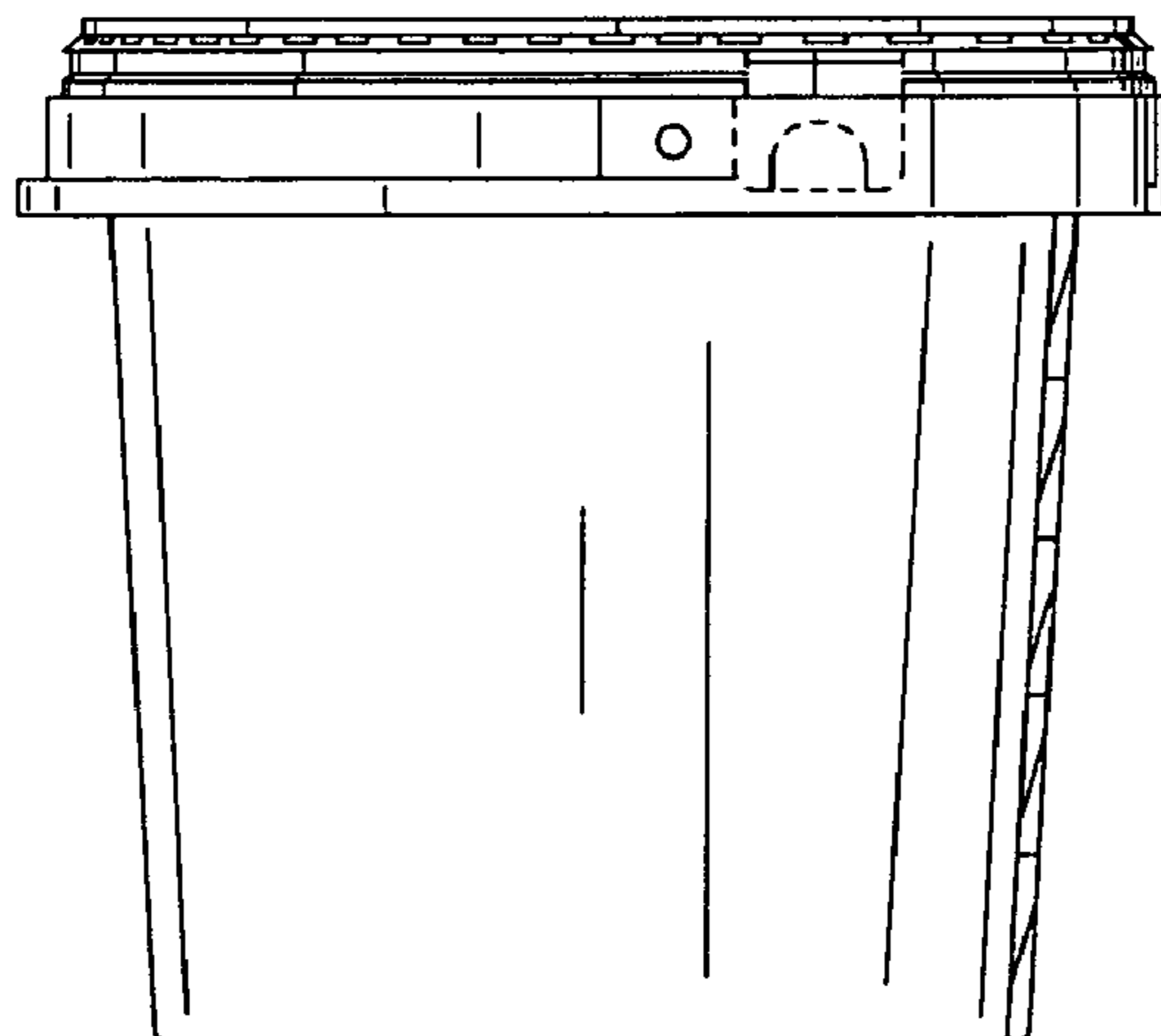
**FIG. 2**



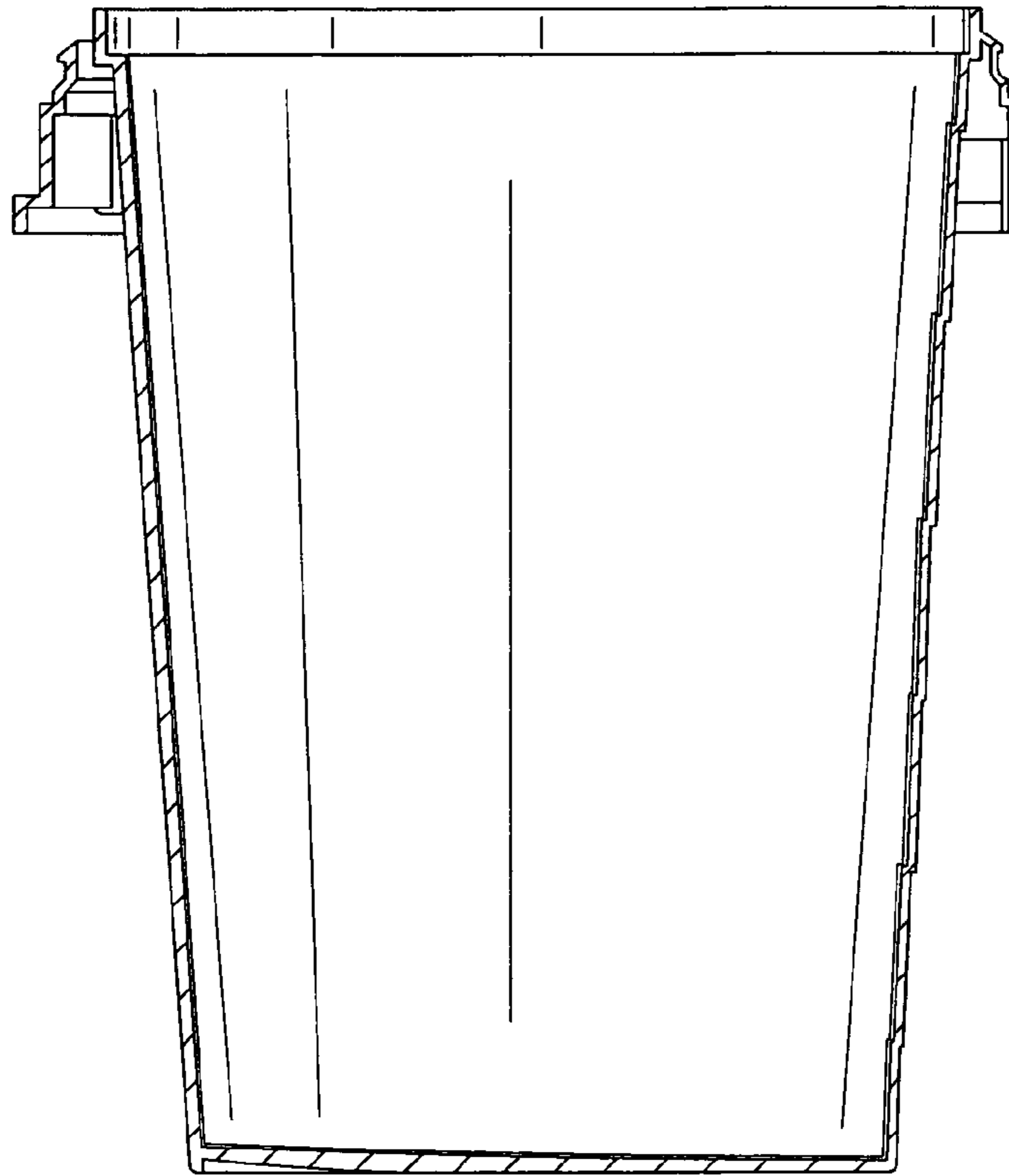
**FIG. 3**



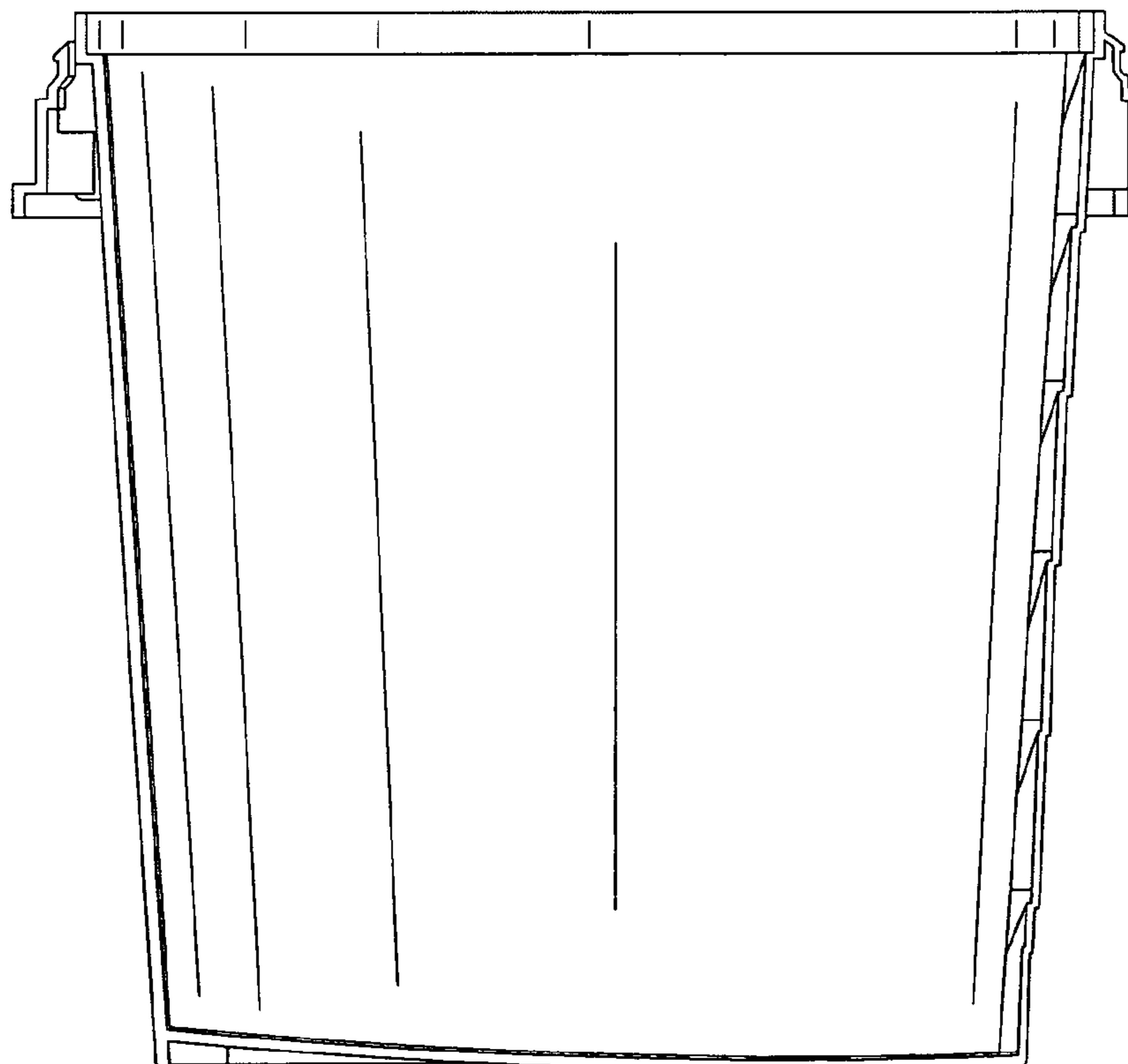
**FIG. 4**



**FIG. 5**



**FIG. 6**



**FIG. 7**