



US00D600912S

(12) **United States Design Patent**  
**Brunner**

(10) **Patent No.:** **US D600,912 S**

(45) **Date of Patent:** **\*\* Sep. 29, 2009**

(54) **TOOL BOX**

(75) Inventor: **Yaron Brunner**, Timrat (IL)

(73) Assignee: **Keter Plastic Ltd.**, Herzelyia (IL)

(\*\*) Term: **14 Years**

(21) Appl. No.: **29/287,325**

(22) Filed: **Jul. 24, 2007**

(51) **LOC (9) Cl.** ..... **03-01**

(52) **U.S. Cl.** ..... **D3/291; D3/294; D3/905**

(58) **Field of Classification Search** ..... D3/260,  
D3/273-274, 276, 281, 283-284, 291, 294-295,  
D3/901, 905; D22/136; 206/315.11, 349,  
206/372-373, 376, 379

See application file for complete search history.

(56) **References Cited**

**U.S. PATENT DOCUMENTS**

D306,096	S *	2/1990	Dickinson et al. ....	D3/281
5,235,830	A	8/1993	Benge	
D394,955	S *	6/1998	Dickinson et al. ....	D3/281
D416,682	S *	11/1999	Tanji .....	D3/294
D417,956	S *	12/1999	Story et al. ....	D3/295
D418,294	S *	1/2000	Tanji .....	D3/276
D424,297	S *	5/2000	Story et al. ....	D3/281
D434,225	S *	11/2000	Story et al. ....	D3/281
D453,624	S *	2/2002	Itzkovitch .....	D3/276
D462,168	S *	9/2002	Klemmensen et al. ....	D3/279
6,502,868	B1	1/2003	Laspa et al.	

D470,659	S *	2/2003	Story et al. ....	D3/291
D493,034	S *	7/2004	Bar-Erez .....	D3/295
D505,011	S *	5/2005	Einav .....	D3/274
D525,789	S *	8/2006	Hosking .....	D3/281
2007/0158223	A1	7/2007	Terry	

**FOREIGN PATENT DOCUMENTS**

EP	1 199 002	4/2002
EP	1 520 660	4/2005

\* cited by examiner

*Primary Examiner*—Philip S Hyder

*Assistant Examiner*—Roselyne Cody

(74) *Attorney, Agent, or Firm*—The Nath Law Group;  
Susanne M. Hopkins; Derek Richmond

(57) **CLAIM**

What is claimed is the ornamental design for a tool box, as shown and described.

**DESCRIPTION**

FIG. 1 is an isometric view of the tool box;

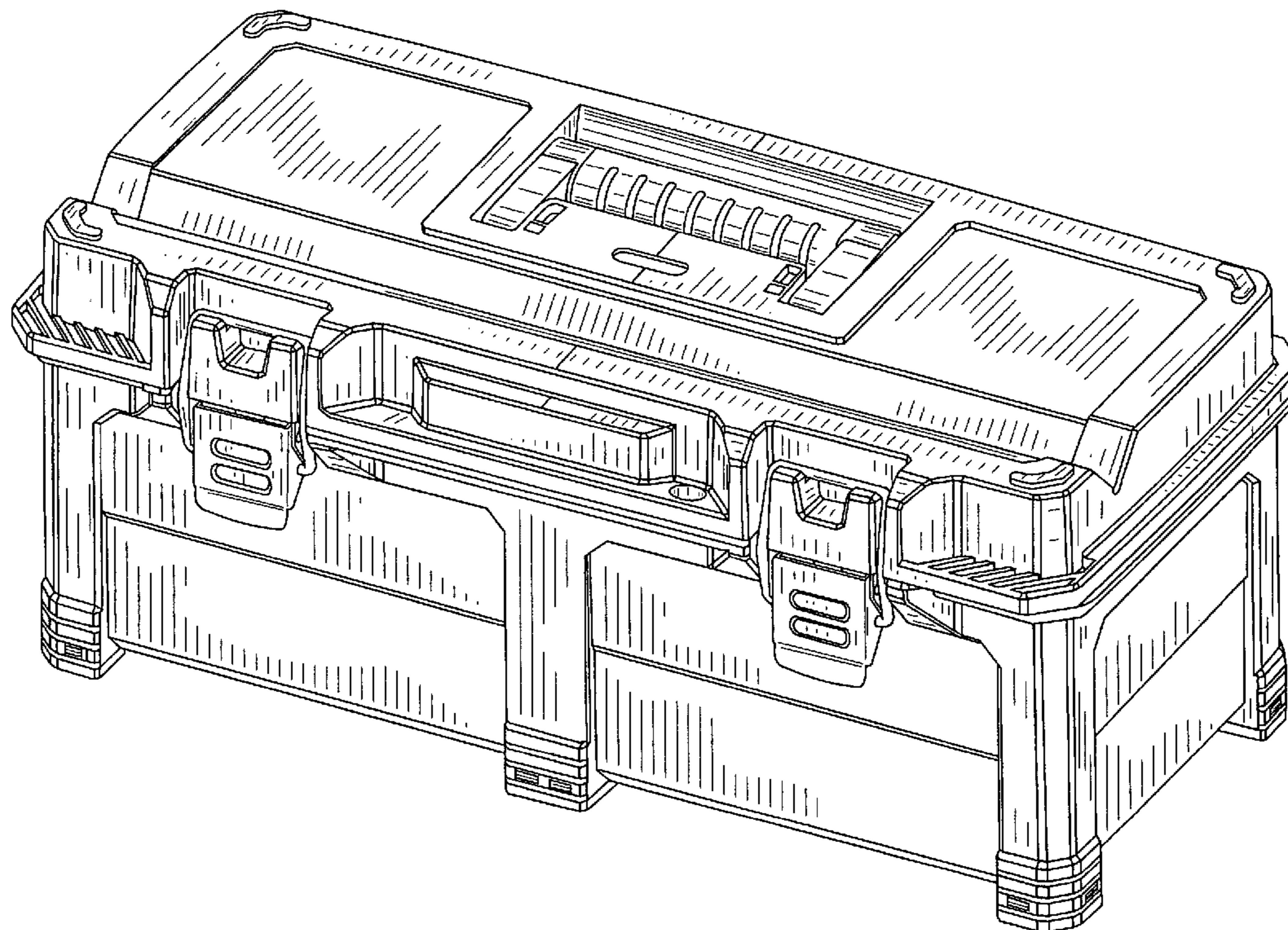
FIG. 2 is a top view of the tool box seen in FIG. 1;

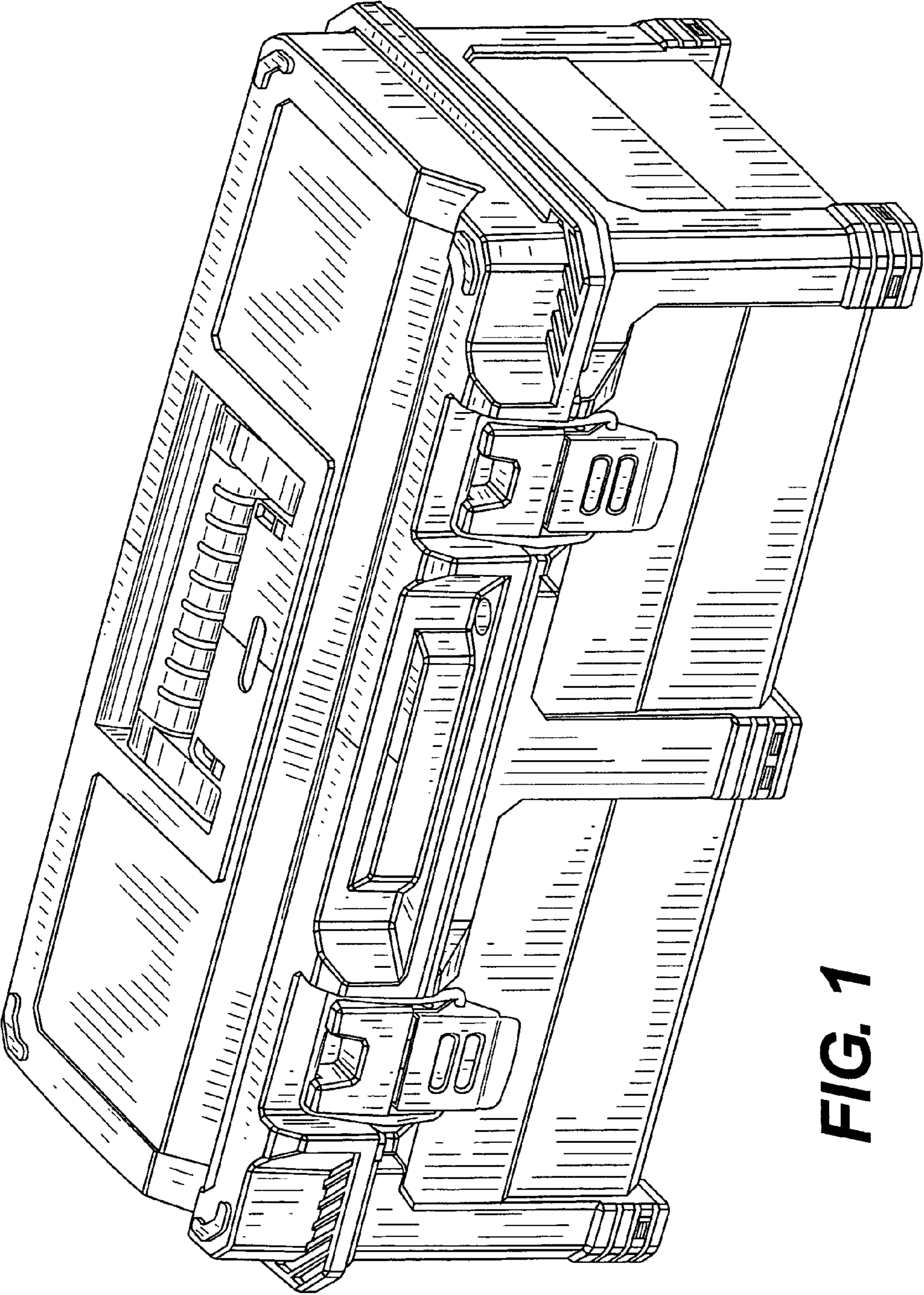
FIG. 3 is a front view of the tool box seen in FIG. 1; and,

FIG. 4 is a side view of the tool box seen in FIG. 1, the other side being a mirror image.

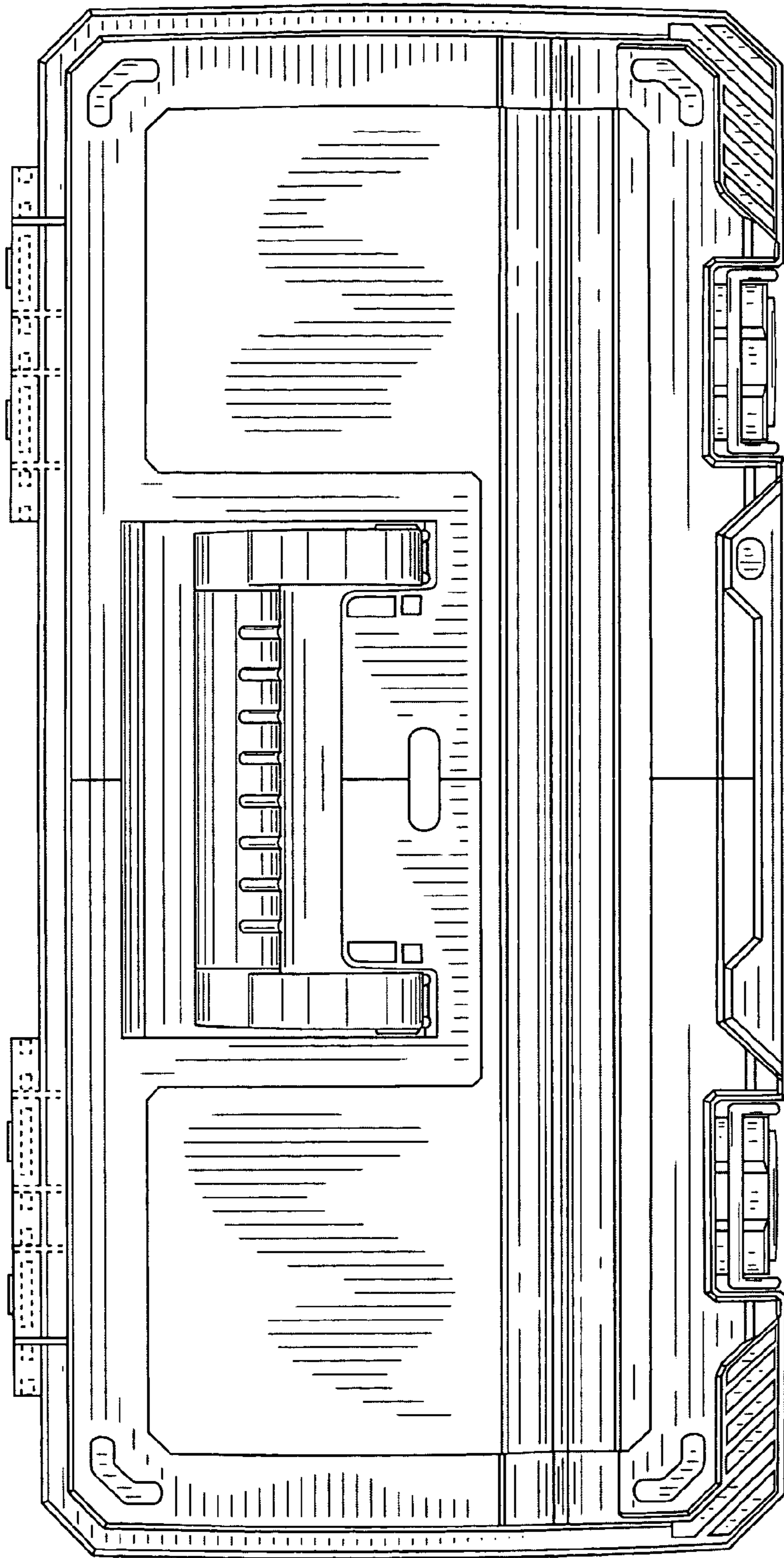
The broken lines are for illustrative purposes only and form no part of the claimed design.

**1 Claim, 4 Drawing Sheets**

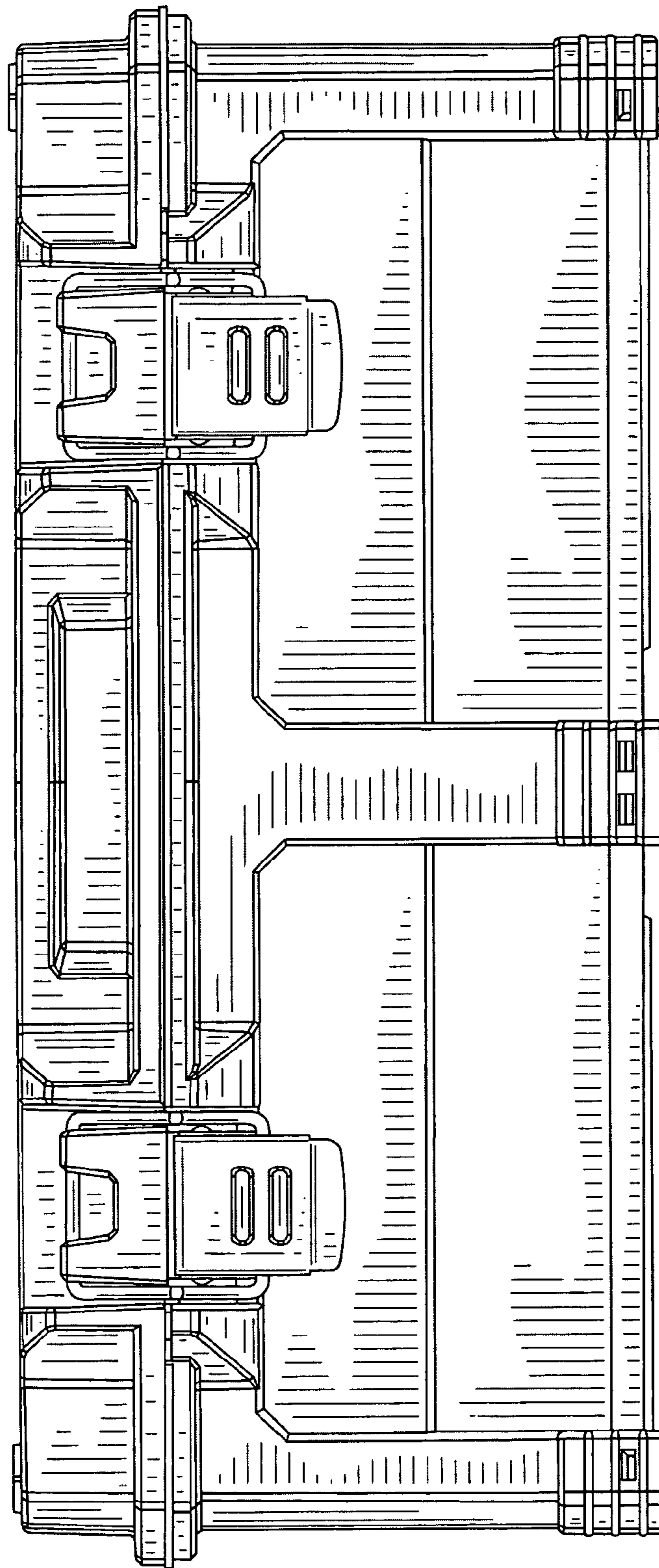




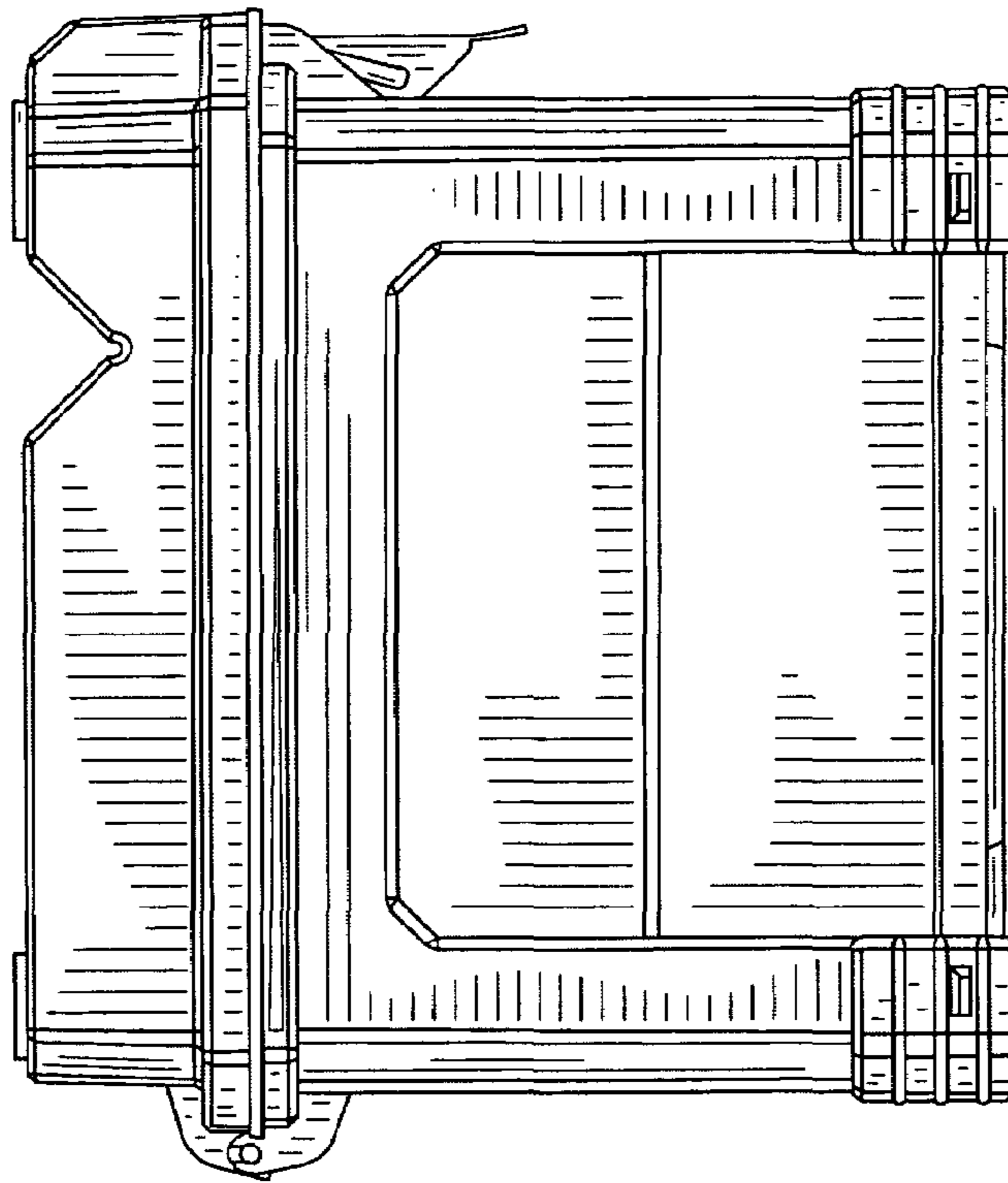
**FIG. 1**



**FIG. 2**



**FIG. 3**



**FIG.4**