



US00D600907S

(12) **United States Design Patent**  
**Boyd et al.**

(10) **Patent No.:** **US D600,907 S**  
(45) **Date of Patent:** **\*\* Sep. 29, 2009**

(54) **PHONE CASE**

2007/0130797 A1 6/2007 Seamans  
2009/0050658 A1 2/2009 Boyd et al.

(75) Inventors: **Michael Boyd**, Boulder, CO (US);  
**Richard N. Case**, Boulder, CO (US);  
**Bowden Ormsbee**, Longmont, CO (US);  
**Richard Schmelzer**, Boulder, CO (US)

**OTHER PUBLICATIONS**

Chipchick.conn, CES 2007 Coverage, [http://web.archive.org/web/20070111061710/http://chipchick.com/2007/01/ces\\_2007\\_the\\_new\\_an...](http://web.archive.org/web/20070111061710/http://chipchick.com/2007/01/ces_2007_the_new_an...), (4 pgs.) (archived Jan. 11, 2007).  
Allen M. Krass, Letter to Jared Briant regarding phoneGear patent, Jan. 29, 2008.  
Jared Briant, Letter to Julie Greenburg Re: foneGEAR LLC, Jan. 16, 2008.  
Jared Briant, Letter to Allen M. Krass Re: foneGEAR LLC, Feb. 29, 2008.  
Julie Greenburg, Letter to Rick Case Re: foneGEAR LLC, Jan. 8, 2008.  
Allen M. Krass, Letter to Jared Briant Re: foneGEAR LLC, Feb. 27, 2008.  
File History for U.S. App. No. 10/602,416, filed Jun. 23, 2003.

(73) Assignee: **Crocs, Inc.**, Niwot, CO (US)

(\*\*) Term: **14 Years**

(21) Appl. No.: **29/303,882**

(22) Filed: **Feb. 19, 2008**

(51) **LOC (9) Cl.** ..... **03-01**

(52) **U.S. Cl.** ..... **D3/218**

(58) **Field of Classification Search** ..... D3/218,  
D3/219, 207–212, 215; 224/930, 666, 674,  
224/219, 222, 267; D2/923–936; 379/453–455  
See application file for complete search history.

\* cited by examiner

*Primary Examiner*—Catherine R Oliver  
(74) *Attorney, Agent, or Firm*—Faegre & Benson, LLP

(56) **References Cited**

**U.S. PATENT DOCUMENTS**

D471,004 S *	3/2003	Cosentino	.....	D3/211
D515,310 S *	2/2006	Liu et al.	.....	D3/218
6,993,858 B2	2/2006	Seamans		
D517,789 S	3/2006	Seamans		
D517,790 S	3/2006	Seamans		
D524,043 S *	7/2006	Kamiya	.....	D3/218
D525,026 S *	7/2006	Silvera	.....	D3/218
D525,419 S	7/2006	Seamans		
7,146,751 B2	12/2006	Seamans		
D535,088 S	1/2007	Seamans		
D543,341 S	5/2007	Seamans		
D543,681 S	6/2007	McCarthy		
D549,957 S *	9/2007	Eisenbraun	.....	D3/218
D564,205 S	3/2008	Seamans		
D564,206 S	3/2008	Seamans		
D564,207 S	3/2008	Seamans		
D564,208 S	3/2008	Seamans		
D564,749 S	3/2008	Seamans		
D575,499 S	8/2008	Seamans		
D584,037 S	1/2009	del Biondi et al.		
D588,346 S	3/2009	McCarthy		

(57) **CLAIM**

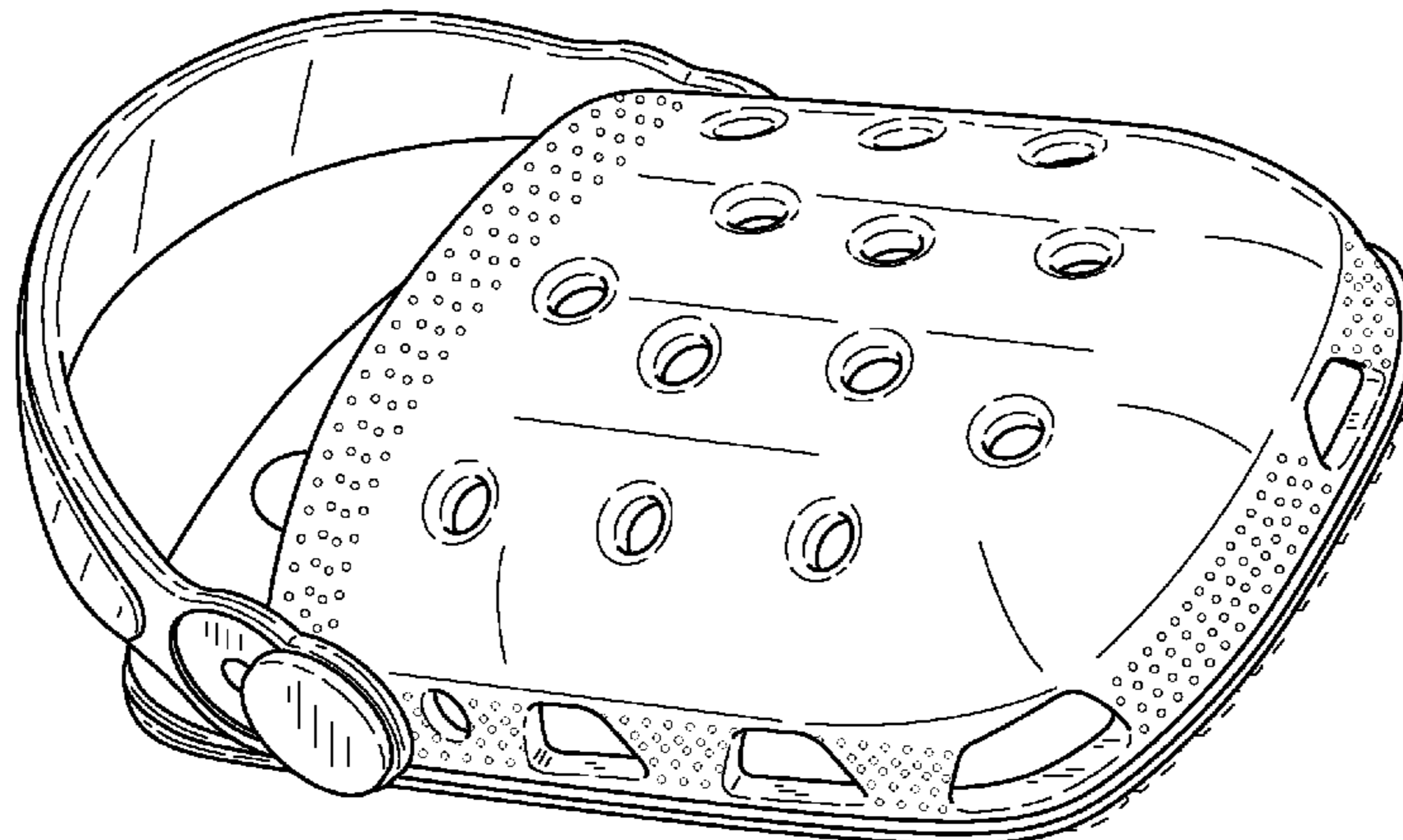
The ornamental design for phone case, as shown and described.

**DESCRIPTION**

FIG. 1 is a left side view;  
FIG. 2 is a right side view;  
FIG. 3 is a front view;  
FIG. 4 is a rear view;  
FIG. 5 is a top view;  
FIG. 6 is a bottom view;  
FIG. 7 is a front perspective view; and,  
FIG. 8 is a rear perspective view.

The broken line showing of environment in the drawings is for illustrative purposes only and forms no part of the claimed design.

**1 Claim, 8 Drawing Sheets**



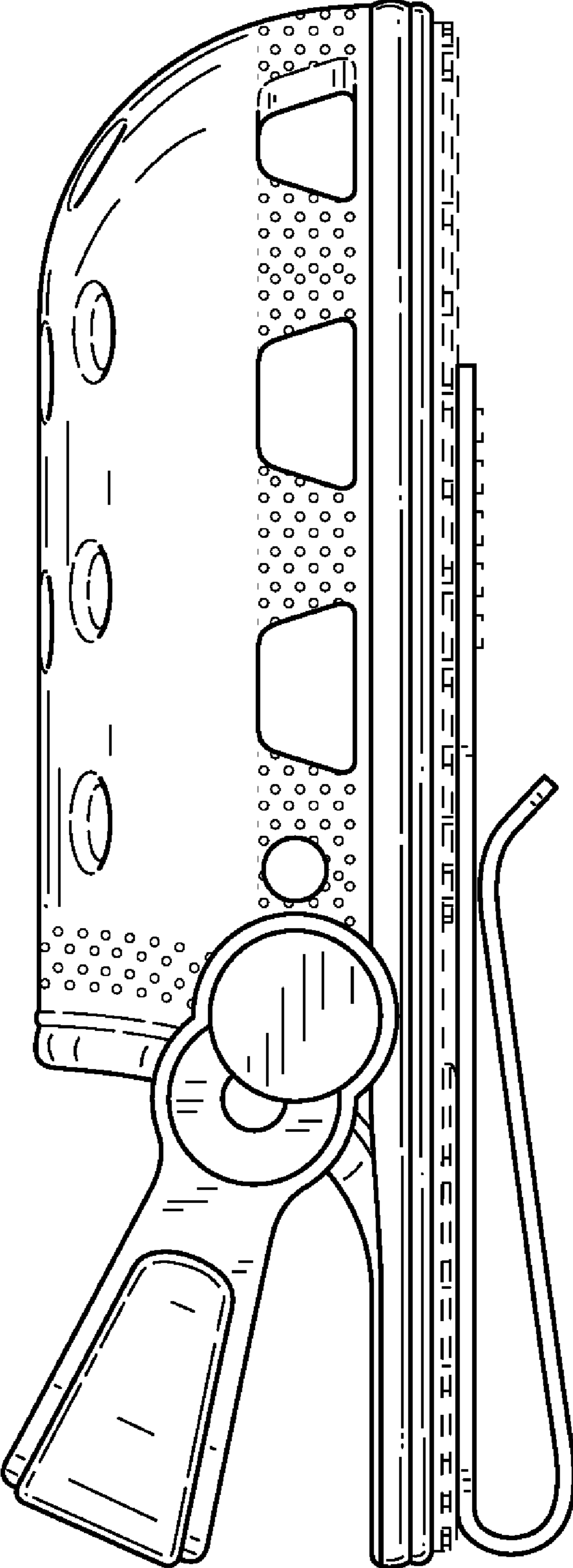


FIG.1

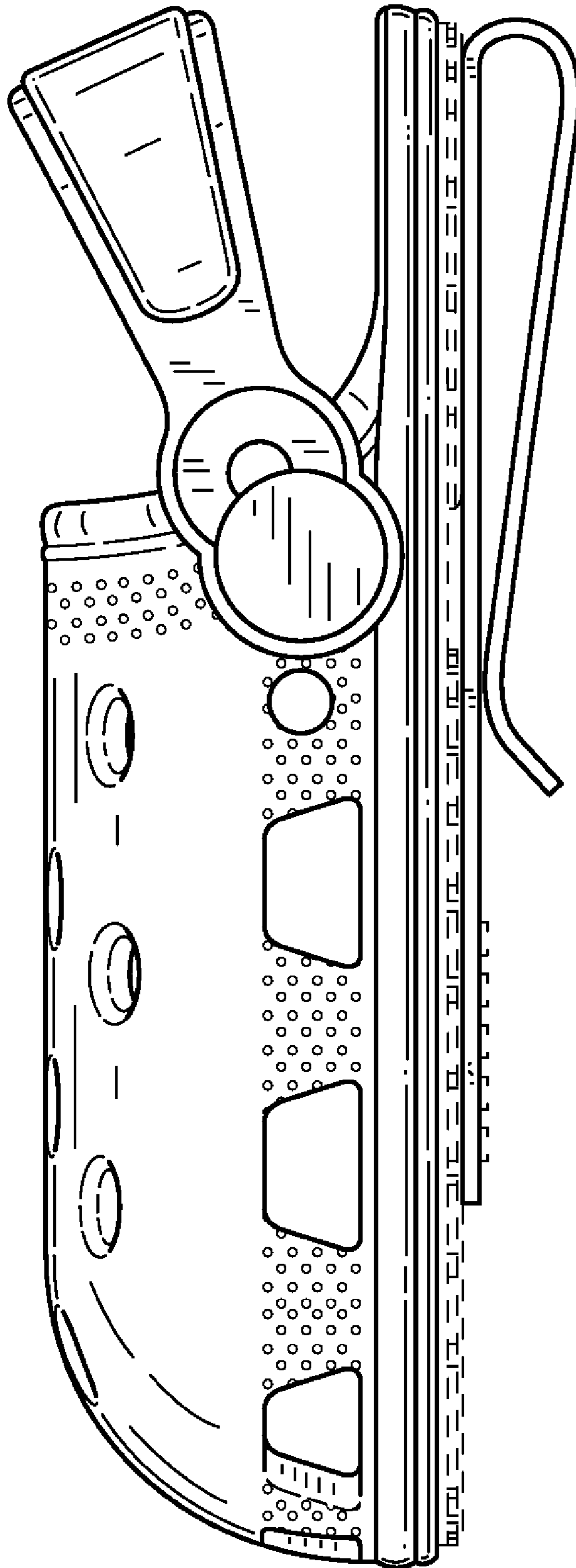


FIG. 2

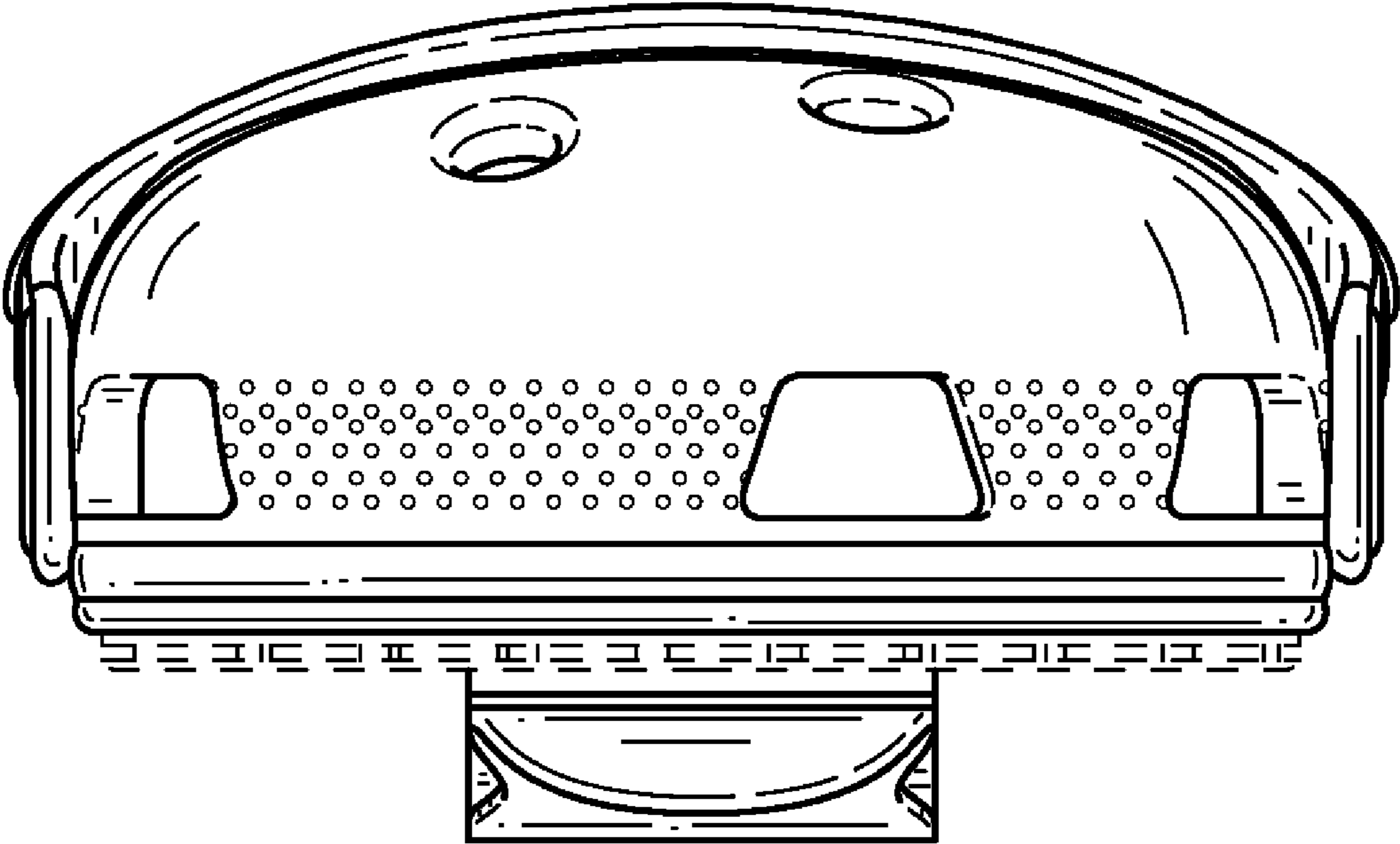


FIG.3

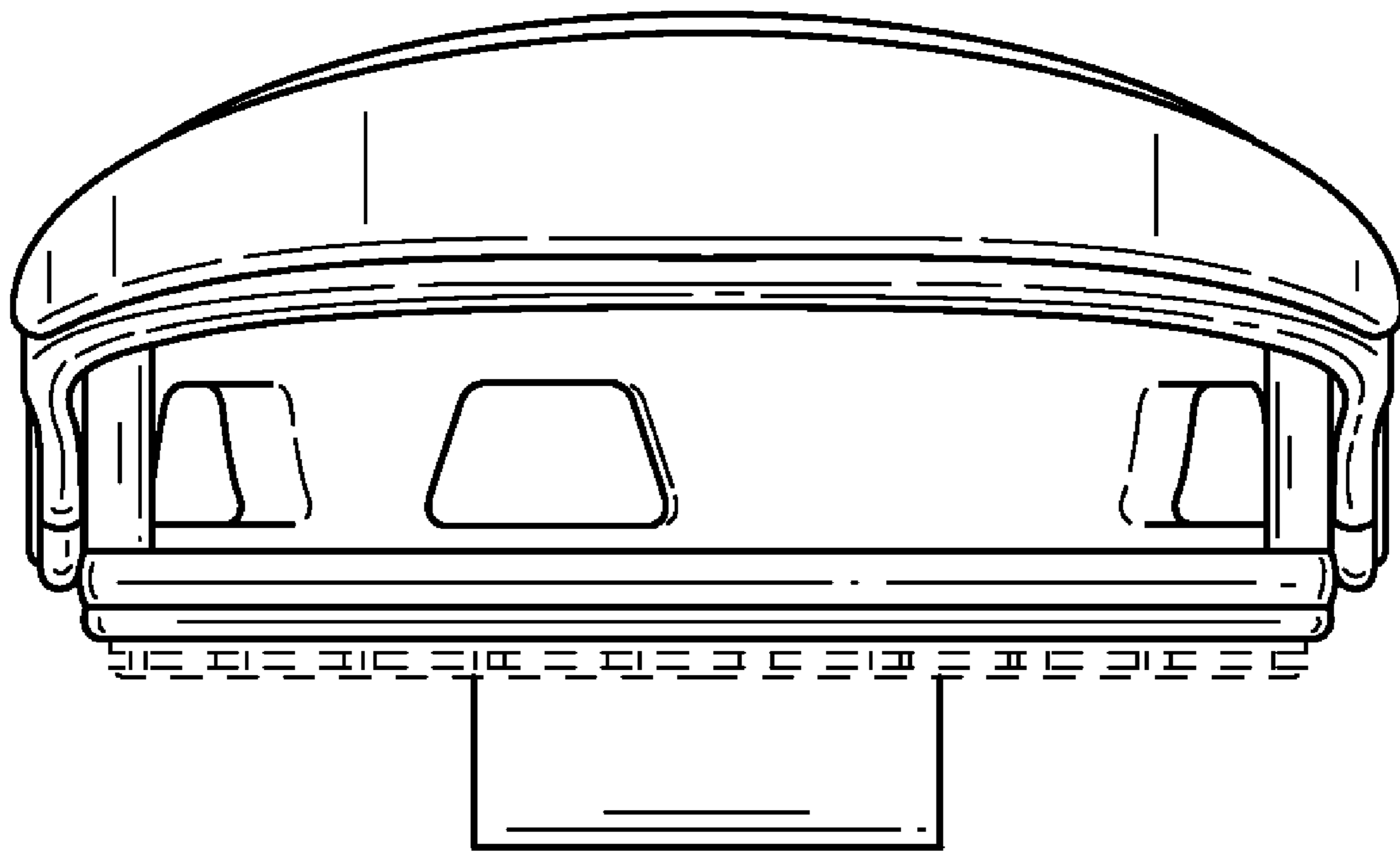


FIG.4

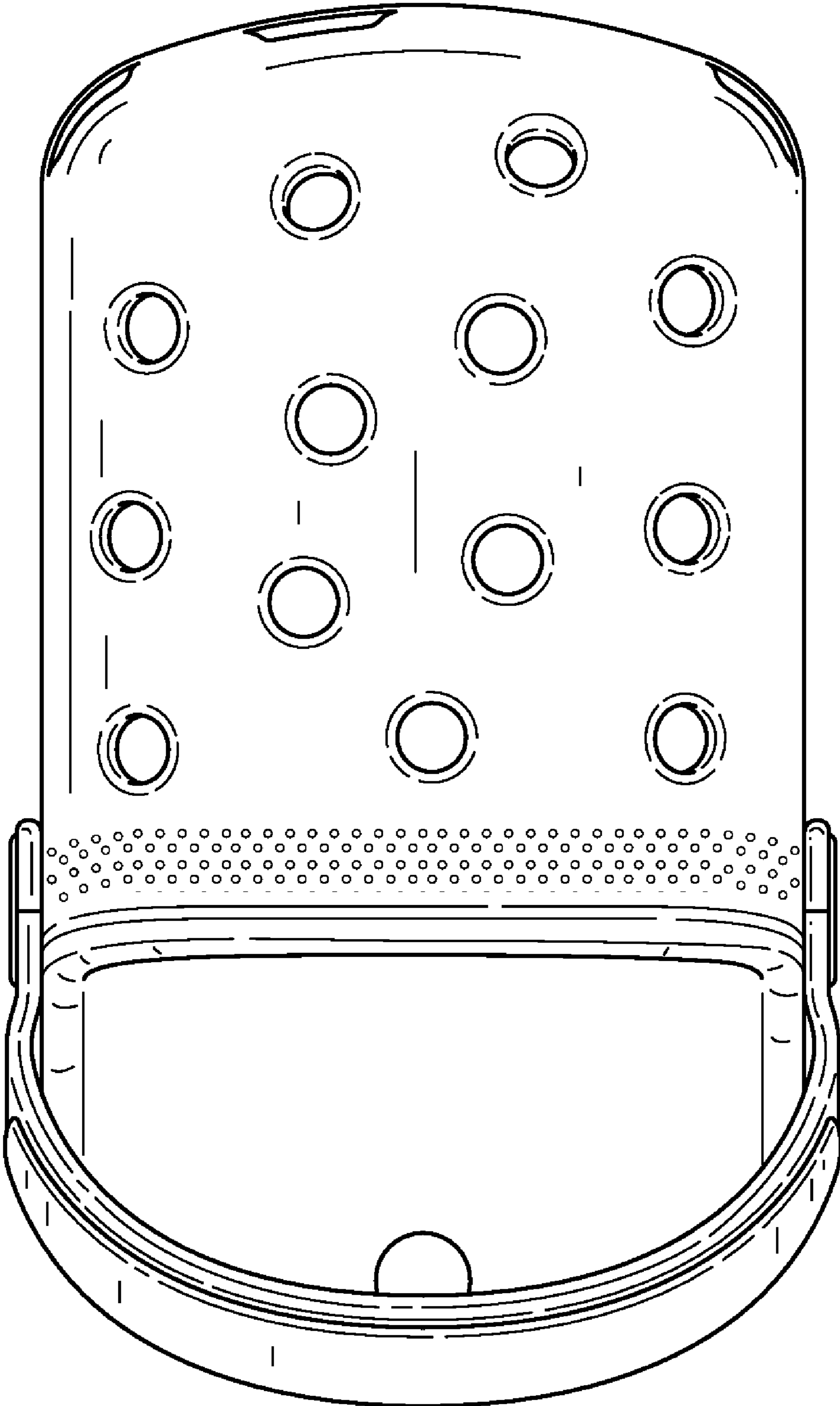


FIG.5

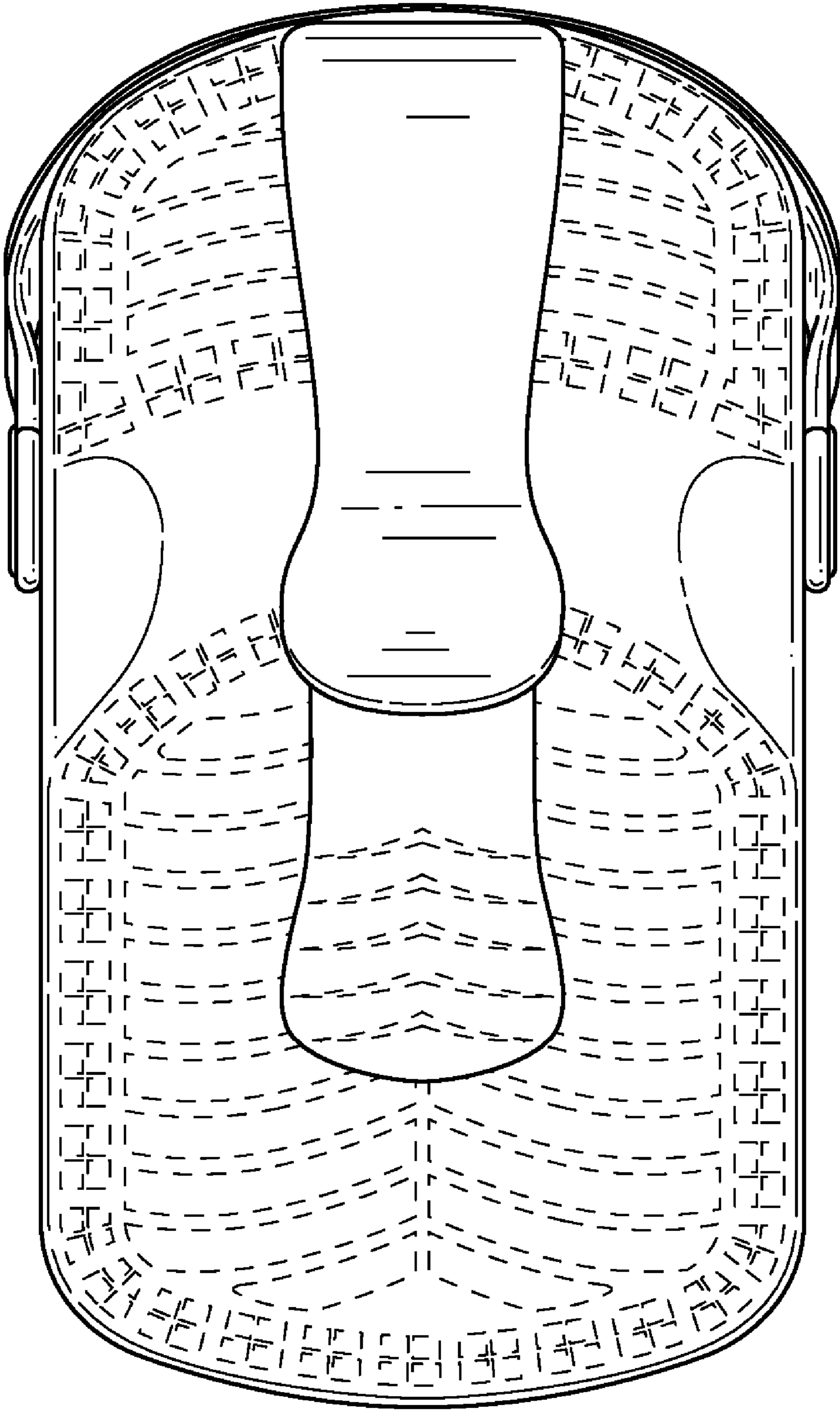


FIG.6

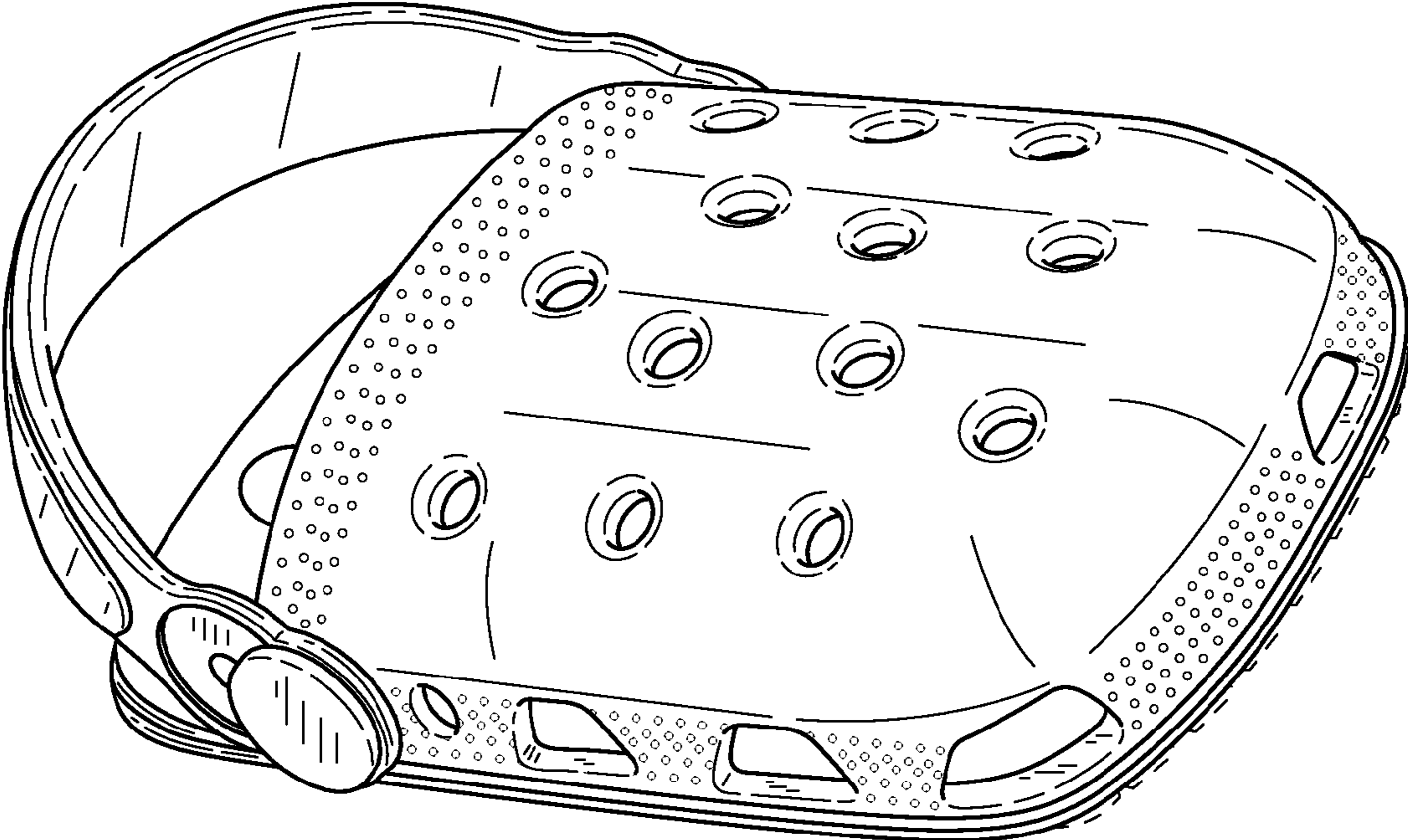


FIG.7



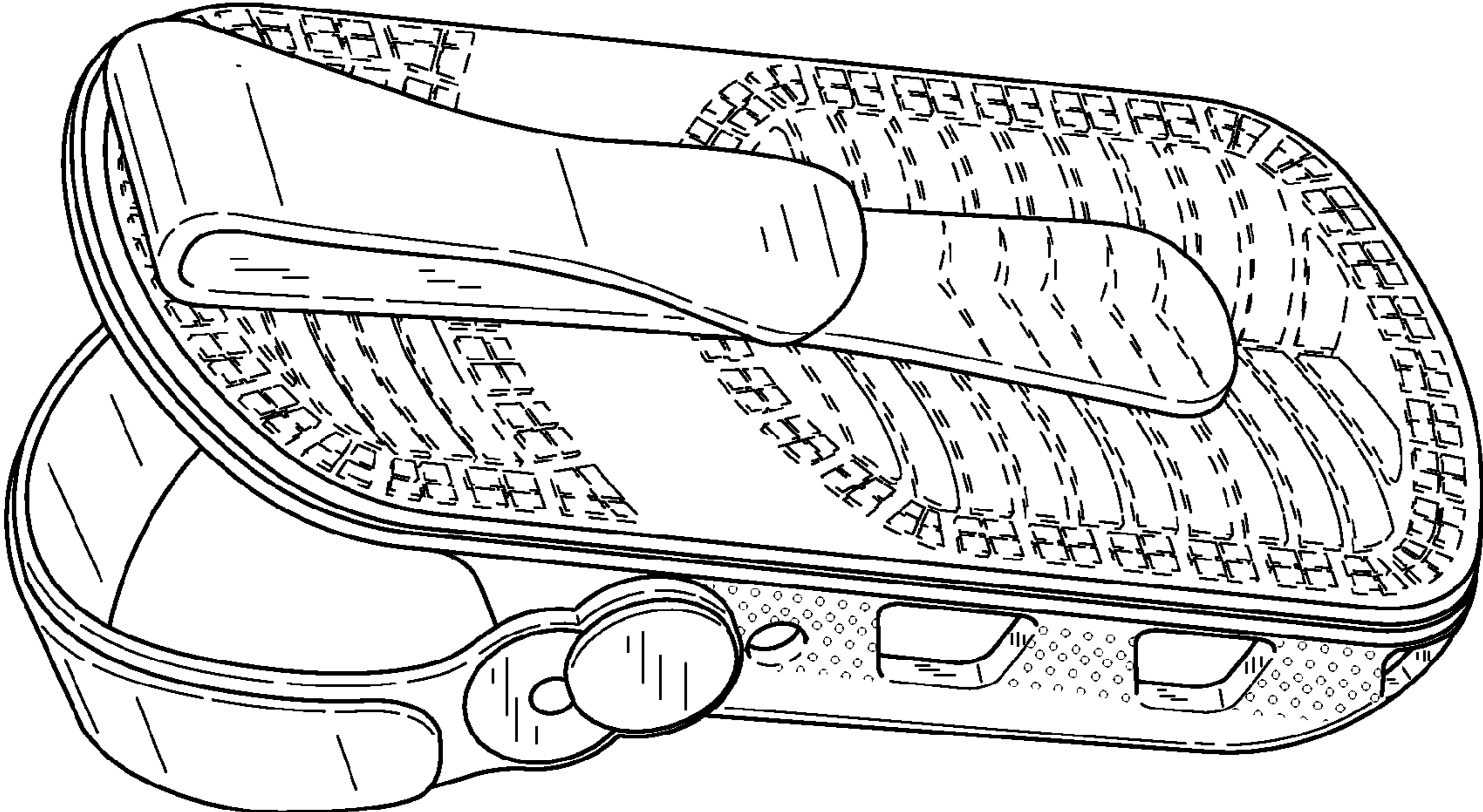


FIG.8