



US00D600906S

(12) **United States Design Patent**
Rodman et al.

(10) **Patent No.:** **US D600,906 S**

(45) **Date of Patent:** **** Sep. 29, 2009**

(54) **SHOE**

D550,446 S * 9/2007 Levesy D2/976

(76) Inventors: **Kathy Rodman**, 21667 Encina Rd.,
Topanga, CA (US) 90290; **Bernice Bell**,
865 Muskingum Ave., Pacific Palisades,
CA (US) 90272

* cited by examiner

Primary Examiner—Stella M Reid

Assistant Examiner—Rashida C McCoy

(74) *Attorney, Agent, or Firm*—Seth D. Levy; Davis Wright
Tremaine LLP

(**) Term: **14 Years**

(21) Appl. No.: **29/328,922**

(57) **CLAIM**

(22) Filed: **Dec. 4, 2008**

The ornamental design for a shoe, as shown and described.

(51) **LOC (9) Cl.** **02-99**

DESCRIPTION

(52) **U.S. Cl.** **D2/976**

FIG. 1 is a perspective view of a shoe attire, showing our new
design;

(58) **Field of Classification Search** D2/896,
D2/946, 969, 976; D24/190–192, 189; 36/73,
36/112–114, 83, 87, 45, 2 R, 7.1 R, 7.2–7.4,
36/72 R, 77 R

FIG. 2 is a front view thereof;

FIG. 3 is a rear view thereof;

FIG. 4 is a right side view thereof;

FIG. 5 is a left side thereof;

FIG. 6 is a top view thereof;

FIG. 7 is a bottom view thereof; and,

See application file for complete search history.

FIG. 8 is a perspective view thereof, in use condition.

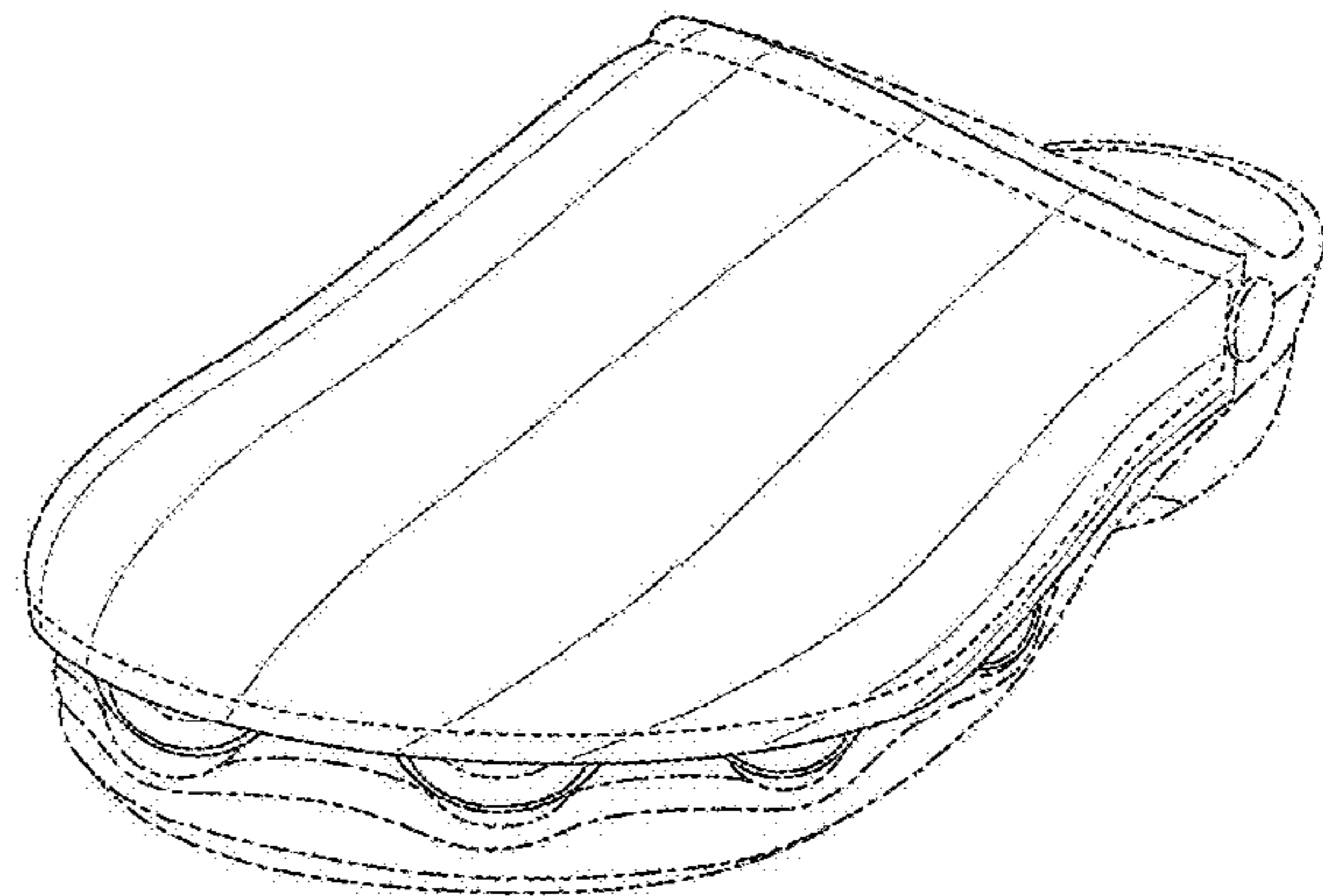
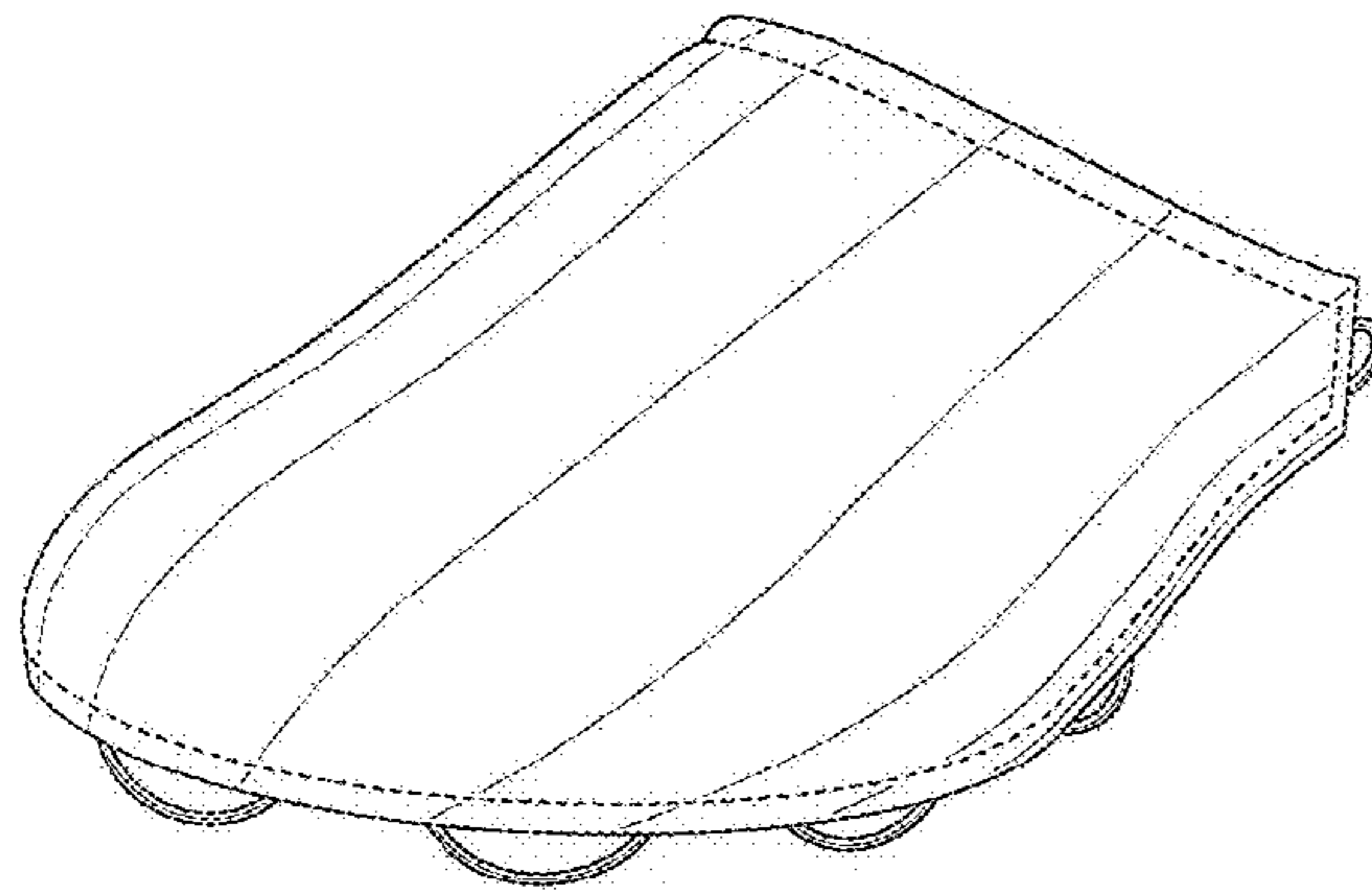
The broken line showing of the shoe is included for the
purpose of illustrating environmental structure and forms no
part of the claimed design.

(56) **References Cited**

U.S. PATENT DOCUMENTS

3,040,455	A *	6/1962	Criswell	36/72 R
3,271,888	A *	9/1966	Graham et al.	36/72 R
D378,470	S *	3/1997	McDaniel	D2/909
5,873,185	A *	2/1999	Harris et al.	36/72 R
5,996,258	A *	12/1999	Simmons	36/72 R
D450,175	S *	11/2001	Lofley et al.	D2/909
D520,217	S *	5/2006	Kim	D2/896

1 Claim, 6 Drawing Sheets



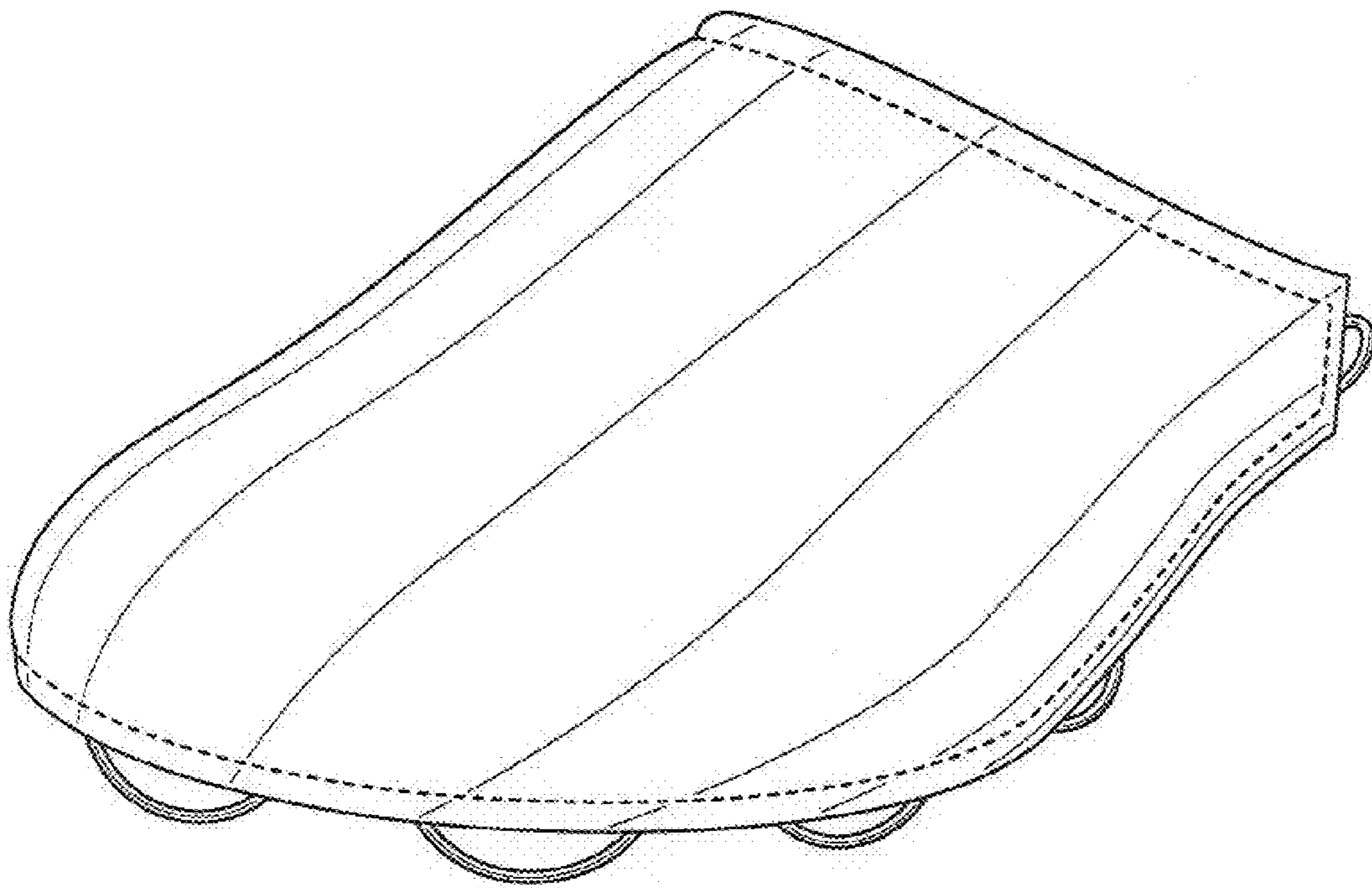


FIG. 1

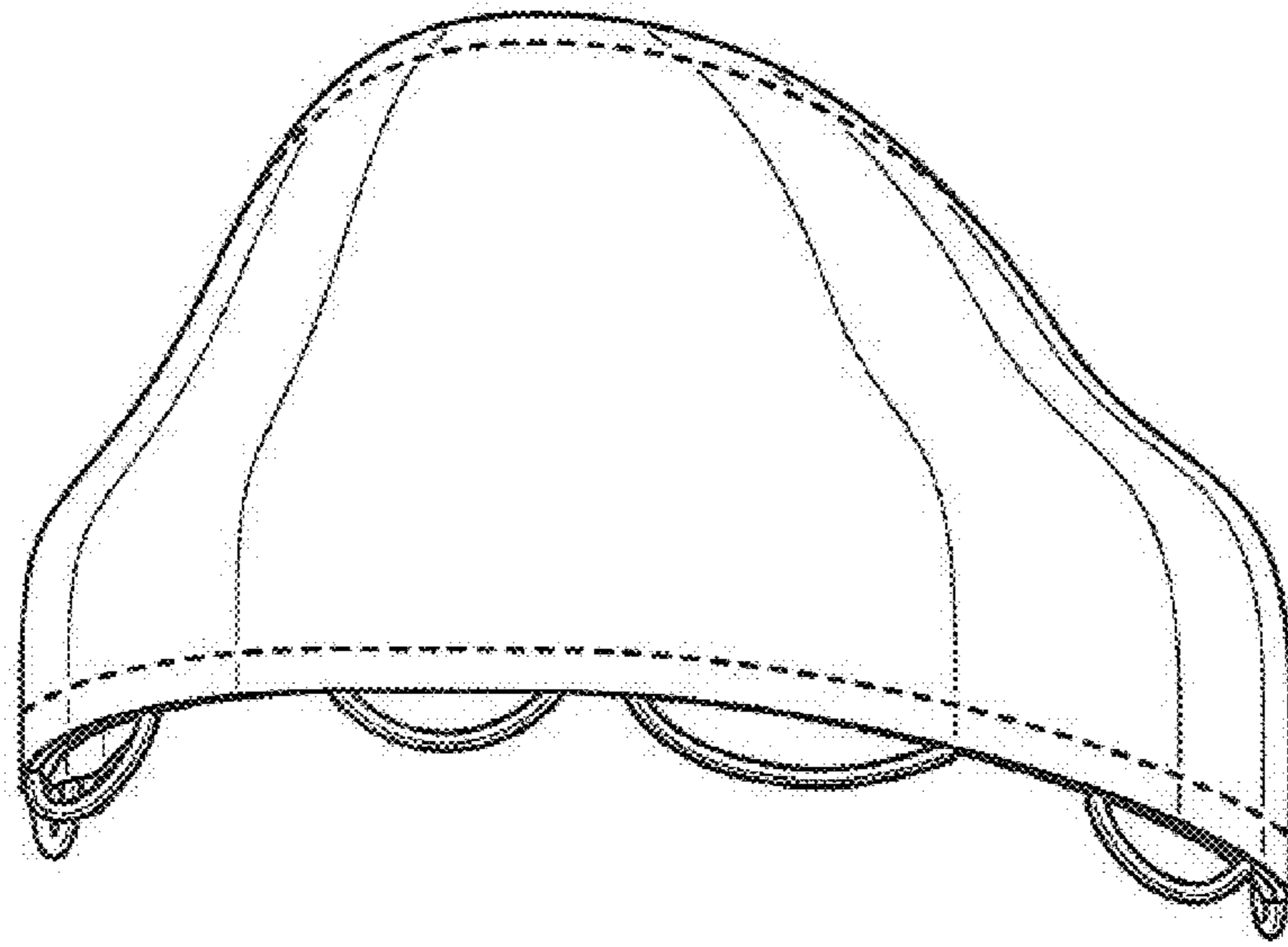


FIG. 2

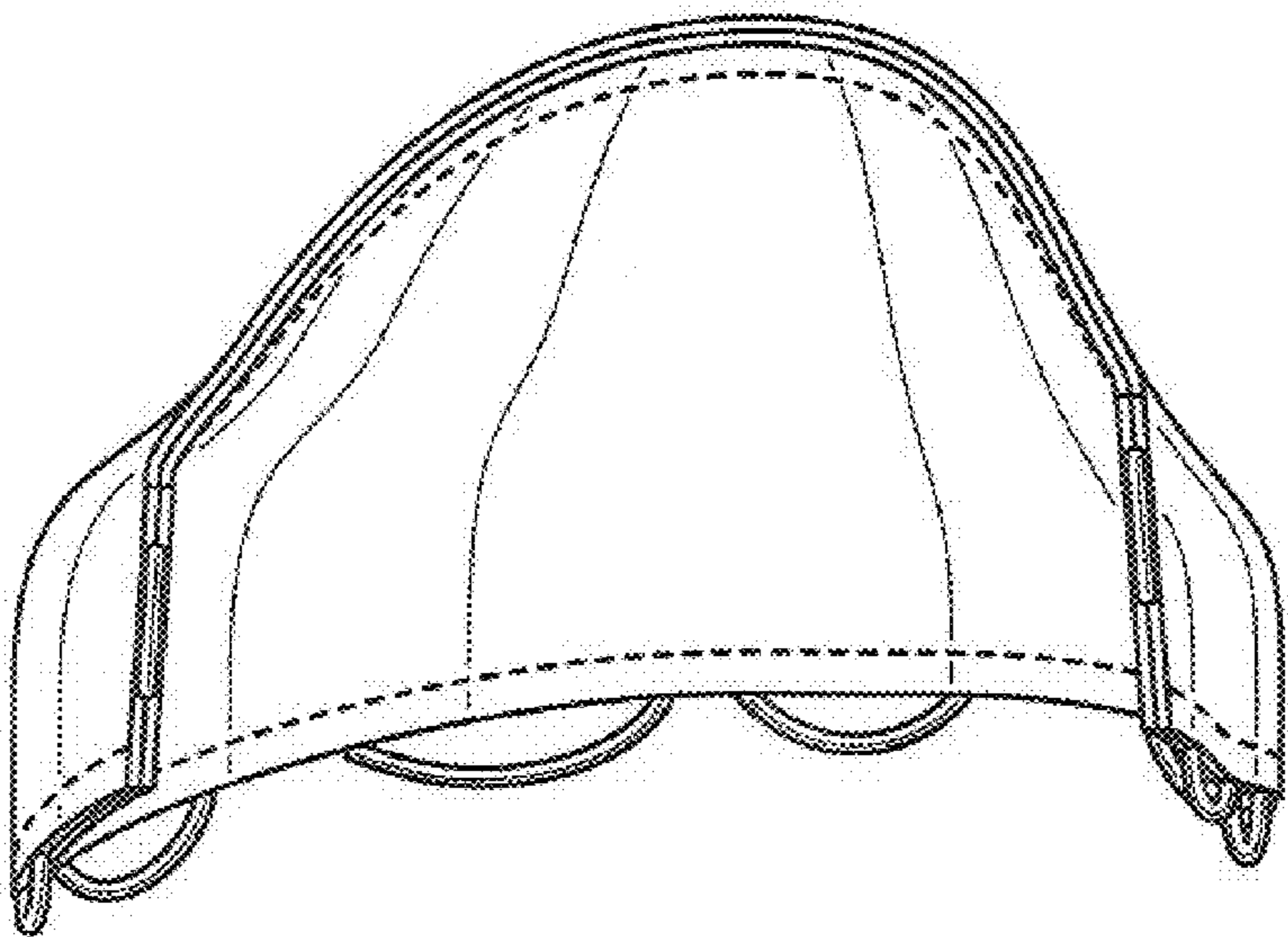


FIG. 3

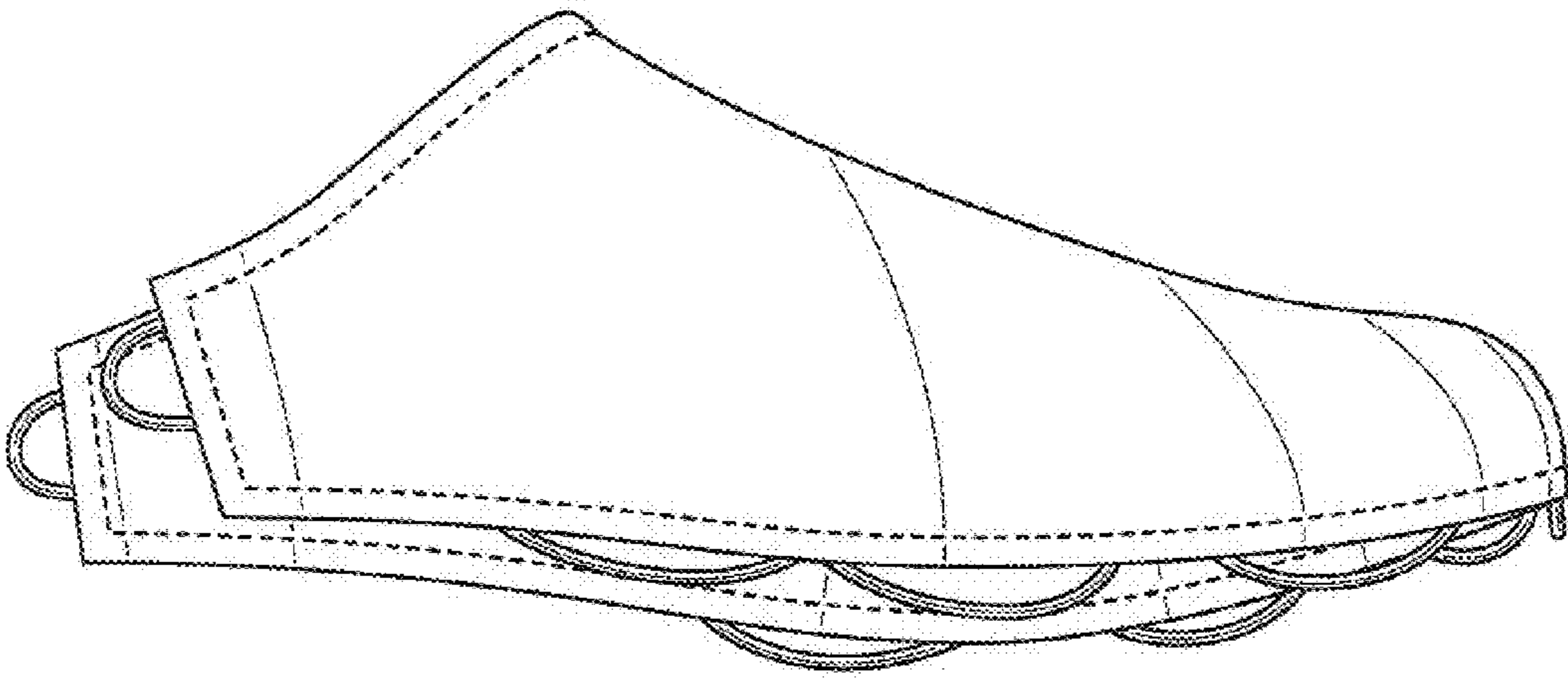


FIG. 4

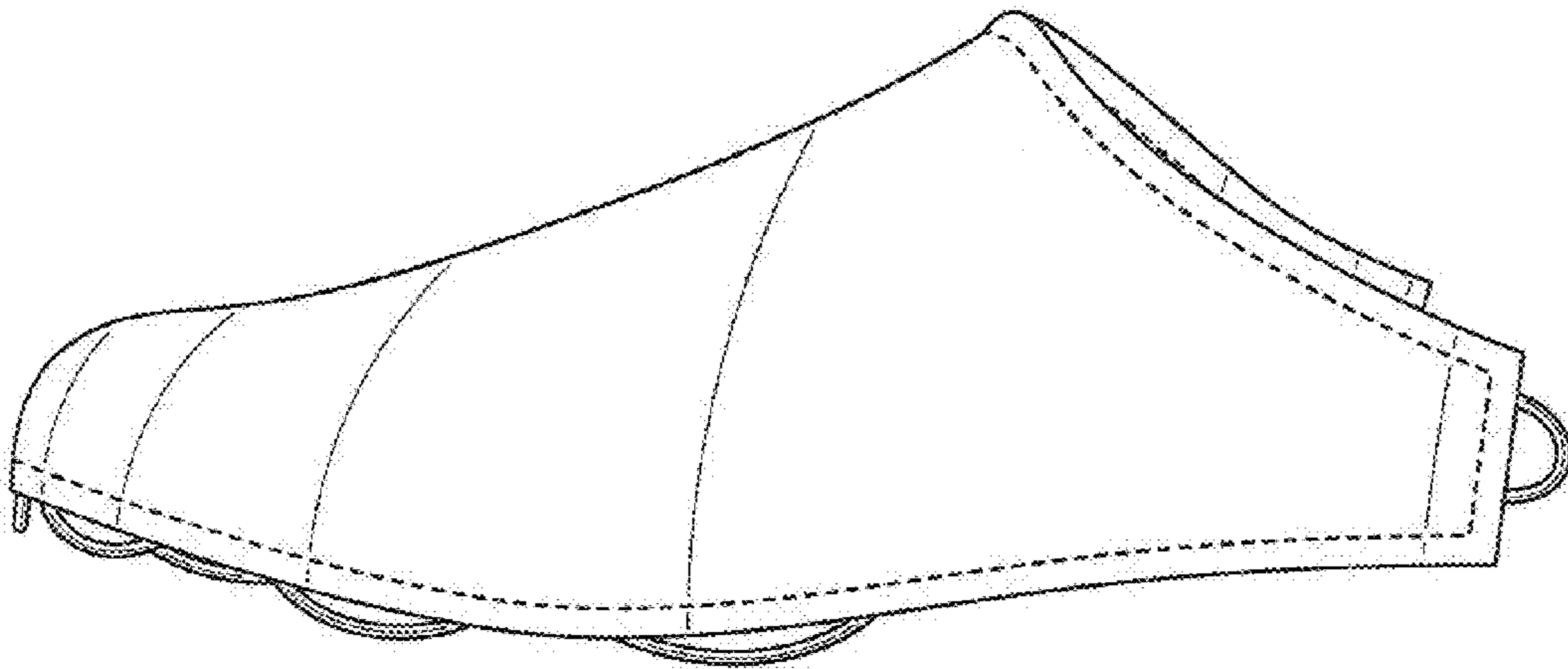


FIG. 5

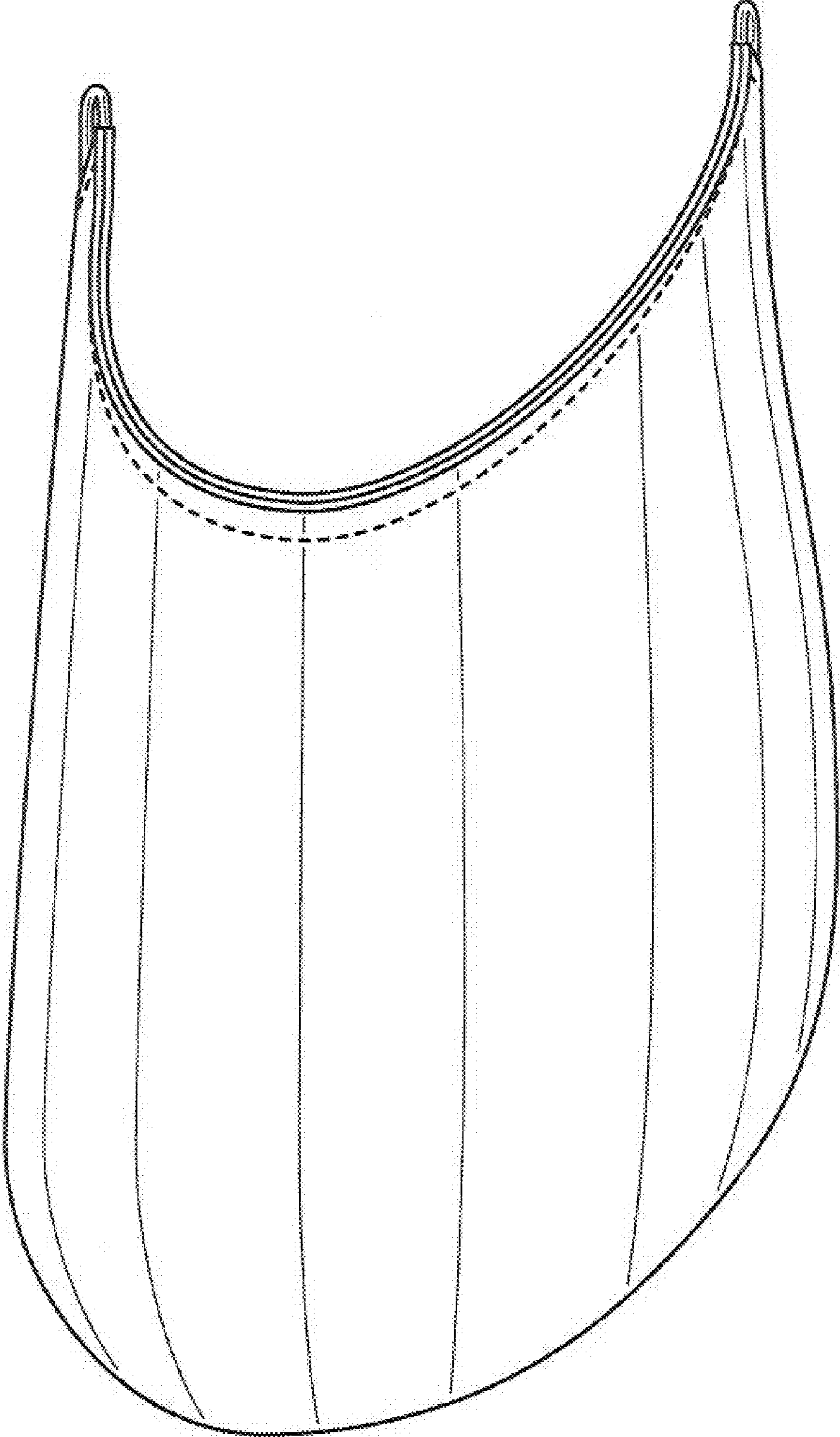


FIG. 6

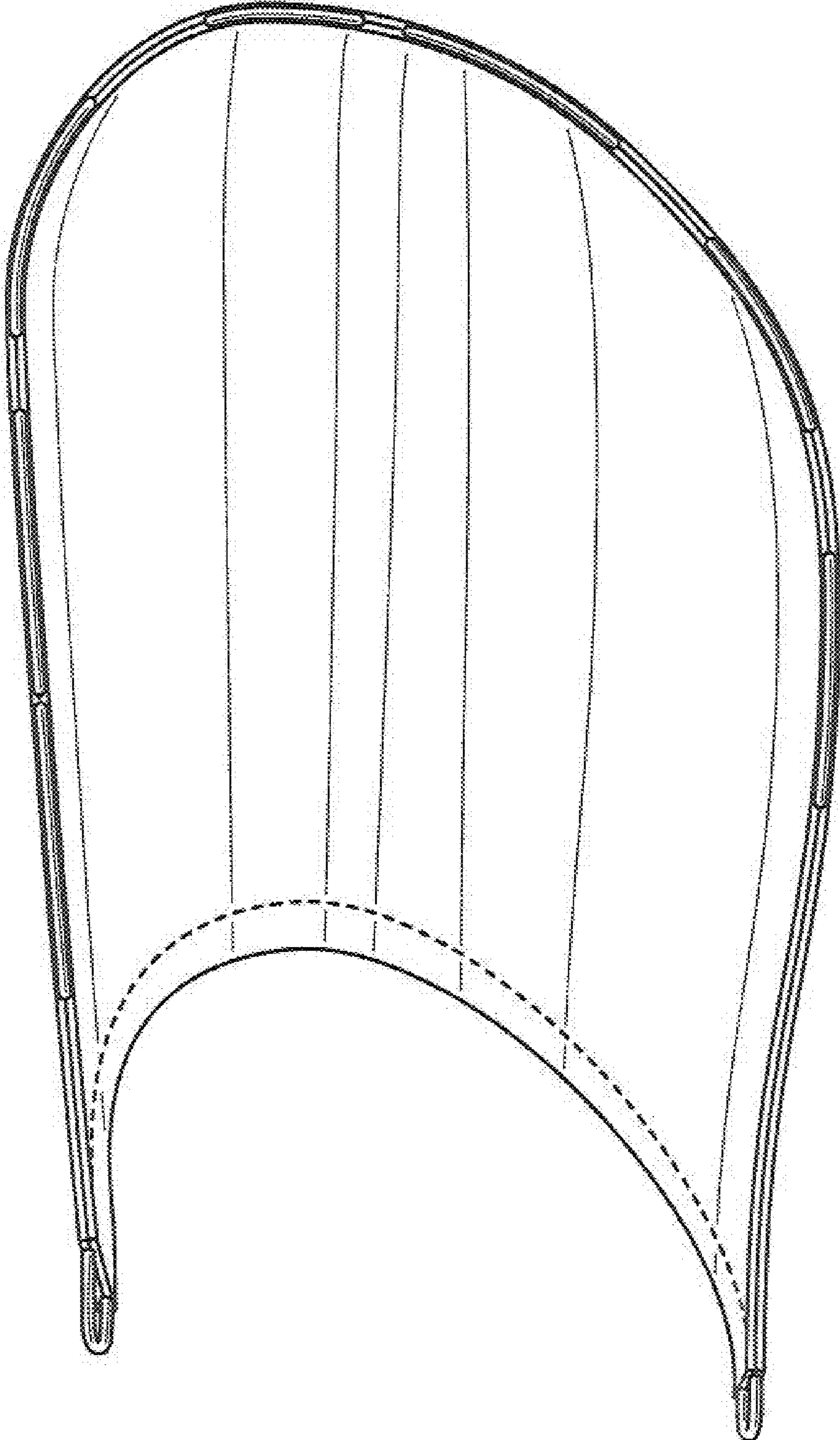


FIG. 7

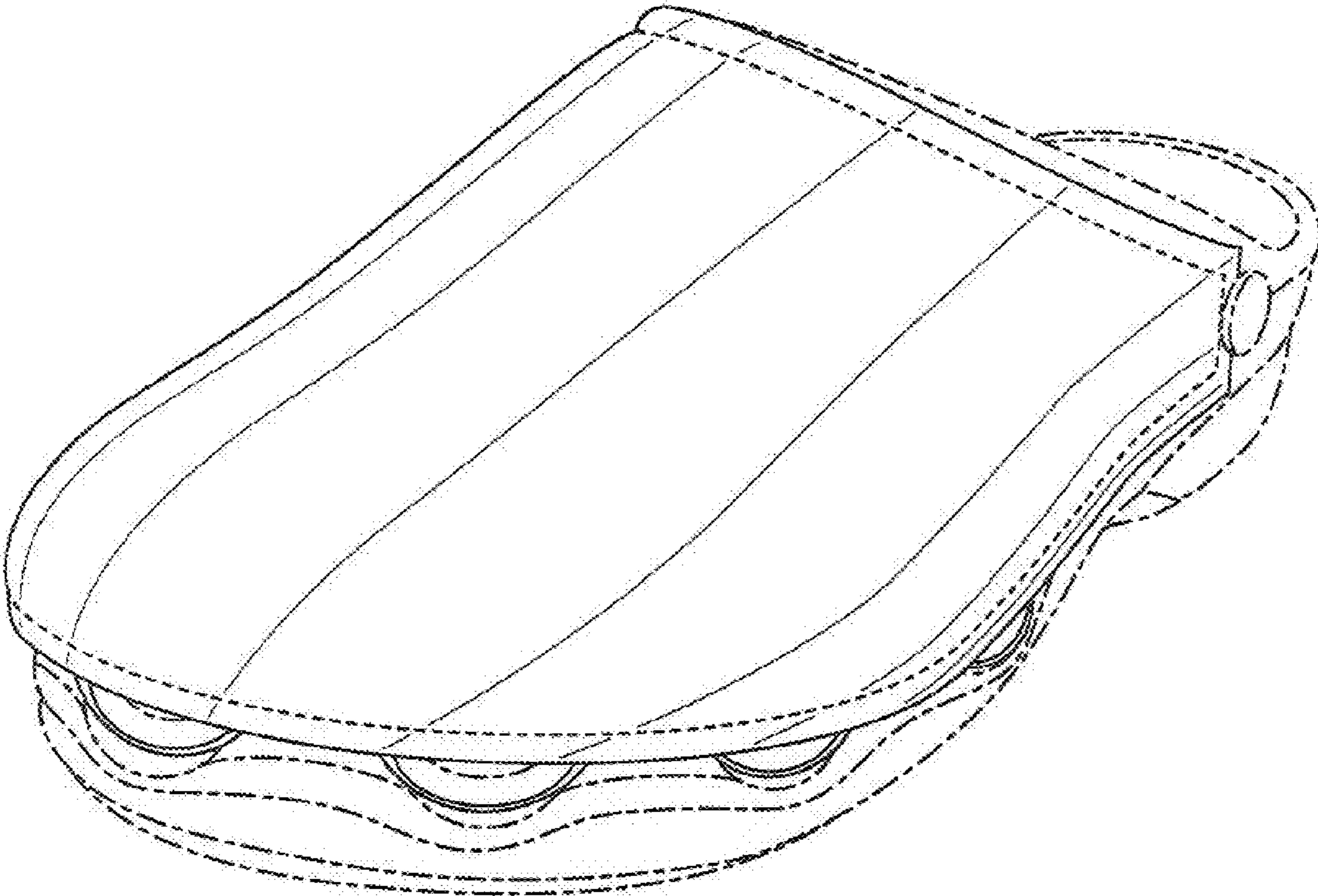


FIG. 8

UNITED STATES PATENT AND TRADEMARK OFFICE
CERTIFICATE OF CORRECTION

PATENT NO. : Des. 600,906 S
APPLICATION NO. : 29/328922
DATED : September 29, 2009
INVENTOR(S) : Kathy Rodman et al.

Page 1 of 1

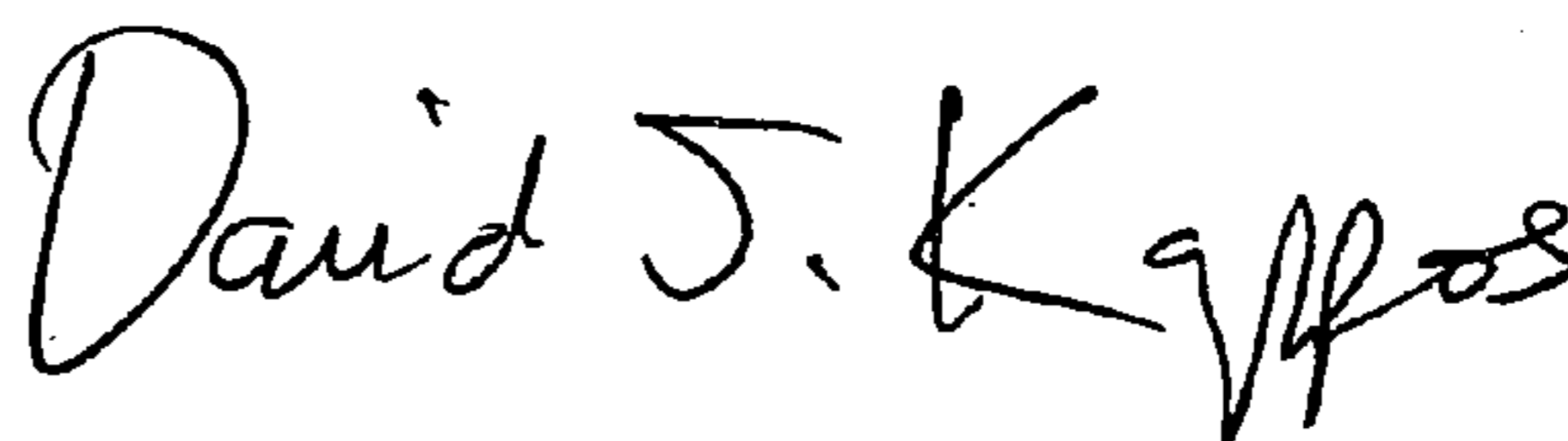
It is certified that error appears in the above-identified patent and that said Letters Patent is hereby corrected as shown below:

On the cover page, item (54) after the word "SHOE", insert --ATTIRE--

On the cover page, item (57) in the claim, after the word "shoe", insert --attire--

Signed and Sealed this

Tenth Day of November, 2009

A handwritten signature in black ink that reads "David J. Kappos". The signature is written in a cursive, flowing style.

David J. Kappos
Director of the United States Patent and Trademark Office