

US00D600891S

(12) **United States Design Patent**
Fountain

(10) **Patent No.:** **US D600,891 S**

(45) **Date of Patent:** **** Sep. 29, 2009**

(54) **BASEBALL-STYLE CAP WITH LACES**

(75) Inventor: **Steven Sadamu Fountain**, 8582 Kekaha Rd., Kekaha, HI (US) 96752

(73) Assignee: **Steven Sadamu Fountain**, Kilauea, HI (US)

(**) Term: **14 Years**

(21) Appl. No.: **29/304,898**

(22) Filed: **Mar. 10, 2008**

(51) **LOC (9) Cl.** **02-03**

(52) **U.S. Cl.** **D2/882; D2/866**

(58) **Field of Classification Search** D2/865, D2/866, 871, 872, 873, 875, 876, 877, 879, D2/880, 881, 882, 884, 886, 887, 889, 891, D2/892, 907, 912, 928, 976, 978; D16/900; 2/171, 171.1, 171.5, 171.6, 171.7, 171.8, 2/172, 175.1, 175.3, 175.6, 195.1, 195.2, 2/195.4, 195.7, 195.8, 209.12, 209.13, 209.14
See application file for complete search history.

(56) **References Cited**

U.S. PATENT DOCUMENTS

| | | | |
|--------------|---------|--------------------|--------|
| D90,197 S * | 6/1933 | Lish | D2/865 |
| D110,834 S * | 8/1938 | Getman et al. | D2/877 |
| D155,444 S * | 10/1949 | Noped | D2/876 |
| D285,983 S * | 10/1986 | Greufe | D2/871 |
| D303,036 S * | 8/1989 | Giles | D2/872 |
| D350,221 S * | 9/1994 | Van Doren | D2/866 |
| D361,426 S * | 8/1995 | Baker | D2/970 |
| D366,951 S * | 2/1996 | Ho | D2/907 |
| D387,888 S * | 12/1997 | Farbman | D2/869 |
| D387,889 S * | 12/1997 | Farbman | D2/872 |
| D404,903 S * | 2/1999 | Benedek | D2/969 |
| D426,938 S * | 6/2000 | Helbig | D2/869 |
| D437,991 S * | 2/2001 | Matis | D2/969 |

| | | | |
|-------------------|---------|-------------------|----------|
| D443,406 S * | 6/2001 | Jebaily | D2/882 |
| D444,623 S * | 7/2001 | Wilson | D2/969 |
| 6,543,061 B1 * | 4/2003 | Morgan | 2/183 |
| D479,393 S * | 9/2003 | Weitzman | D2/978 |
| D480,553 S * | 10/2003 | Adams et al. | D2/969 |
| D485,422 S * | 1/2004 | Levine | D2/908 |
| D518,628 S * | 4/2006 | Hatakeyama | D2/946 |
| D541,013 S * | 4/2007 | Kim | D2/882 |
| D548,432 S * | 8/2007 | Martin | D2/946 |
| 7,275,270 B2 * | 10/2007 | Cotutsca | 2/209.13 |
| D558,432 S * | 1/2008 | Kim | D2/882 |
| 2007/0220656 A1 * | 9/2007 | Cotutsca | 2/171 |

* cited by examiner

Primary Examiner—Elizabeth A Albert

Assistant Examiner—Karen E Eldridge Powers

(57) **CLAIM**

The ornamental design for a baseball-style cap with laces, as shown and described.

DESCRIPTION

FIG. 1 is a perspective view of a baseball-style cap with laces, showing my new design;

FIG. 2 is a front elevational view of the invention;

FIG. 3 is a rear elevational view of the invention;

FIG. 4 is a left-side elevational view of the invention;

FIG. 5 is a right-side elevational view of the invention;

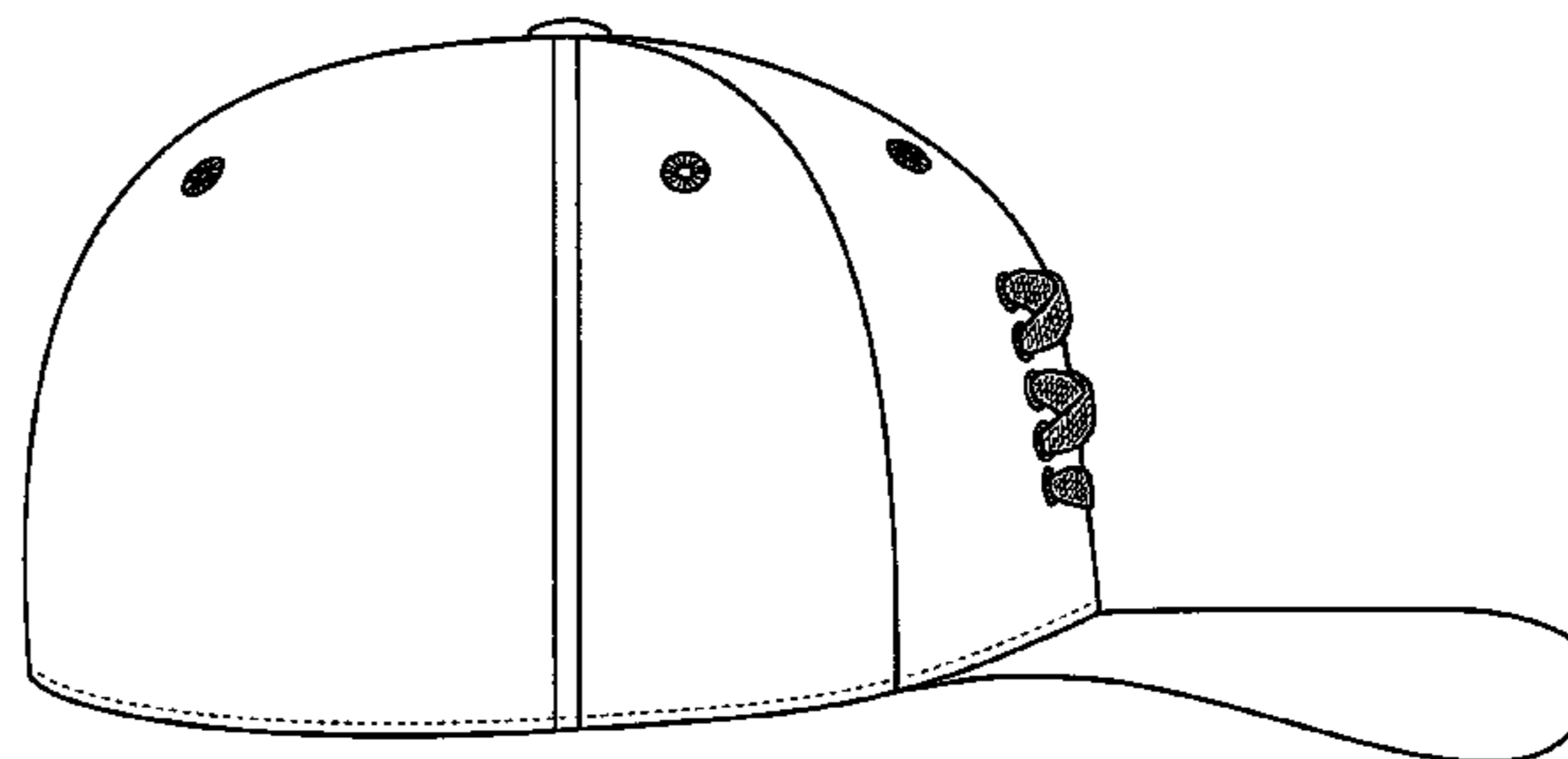
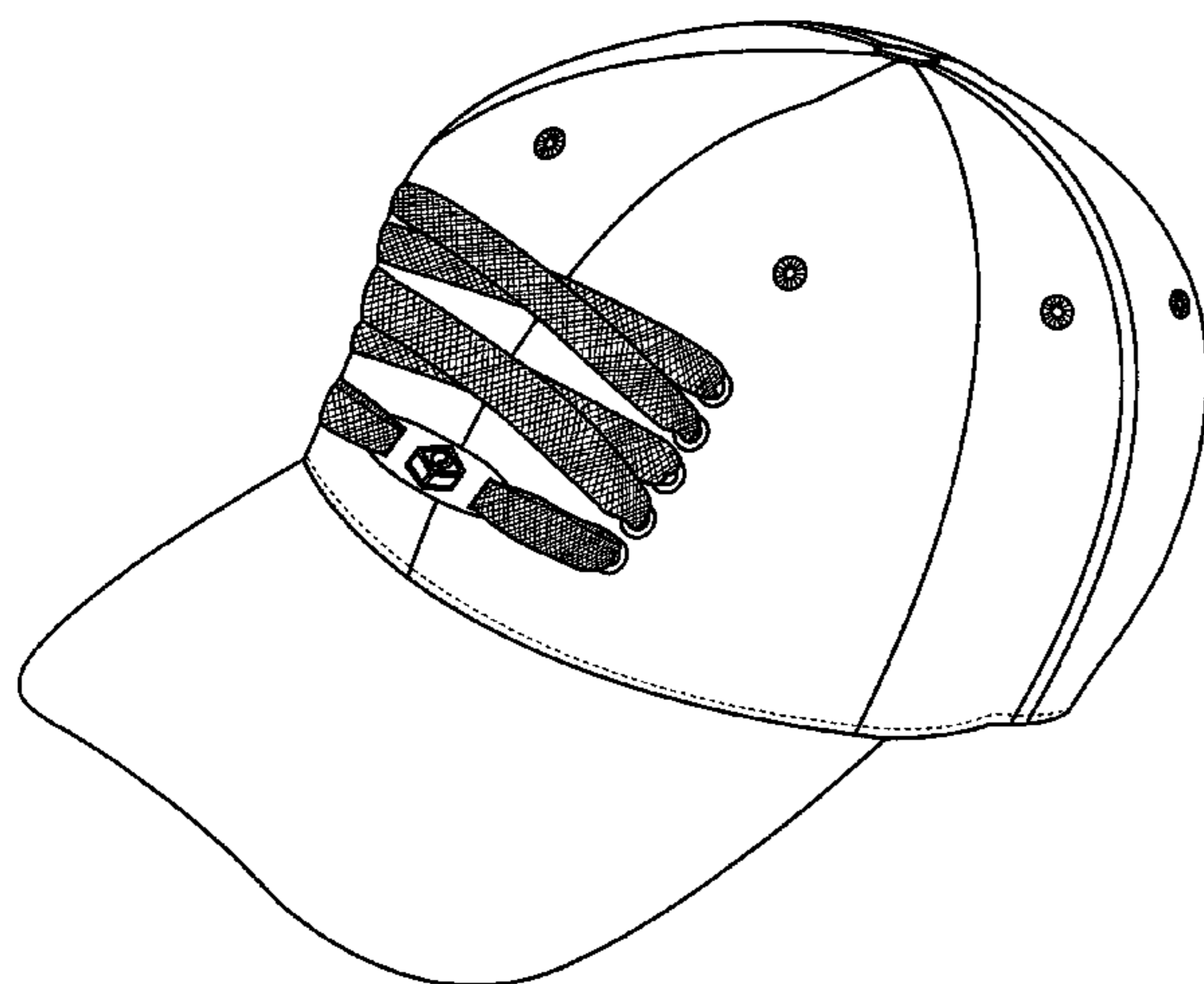
FIG. 6 is a top plan view of the invention; and,

FIG. 7 is a bottom plan view of the invention.

The crosshatching on the laces and the eyelets in FIGS. 1–7 represent a texture of material.

The broken line that runs along the base of the crown in FIGS. 1–7 is stitching and forms a part of the claimed design.

1 Claim, 7 Drawing Sheets



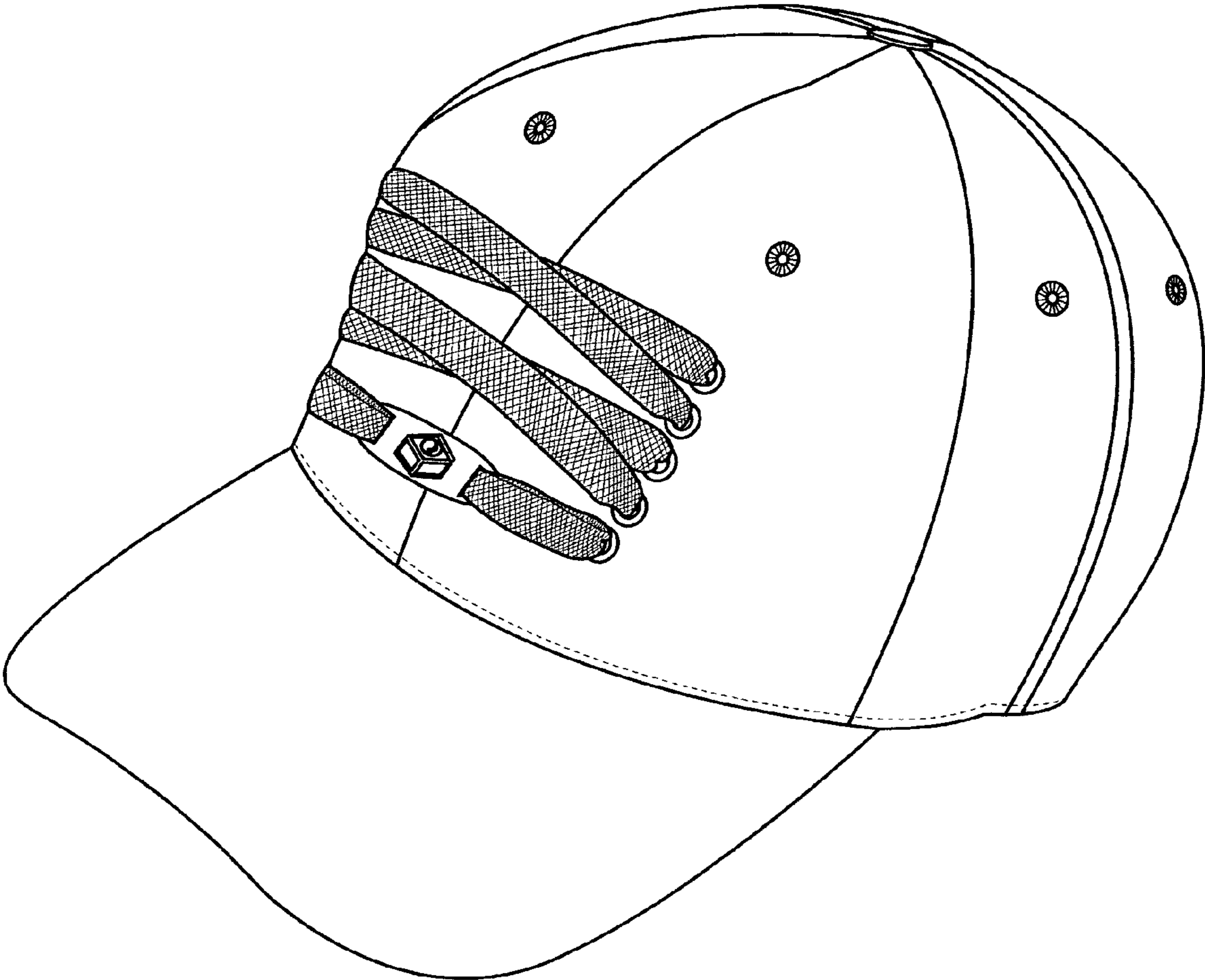


FIG 1

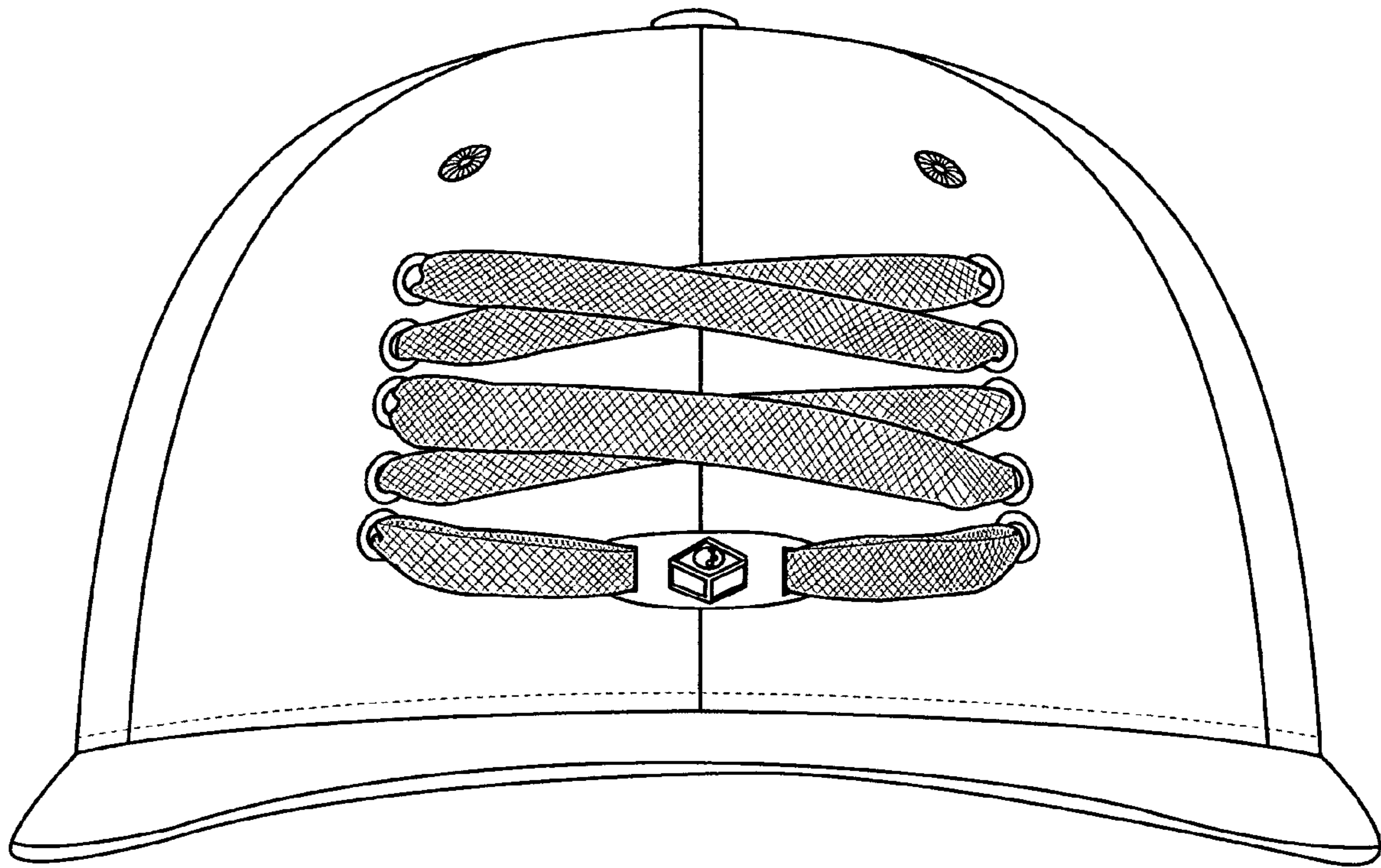


FIG 2

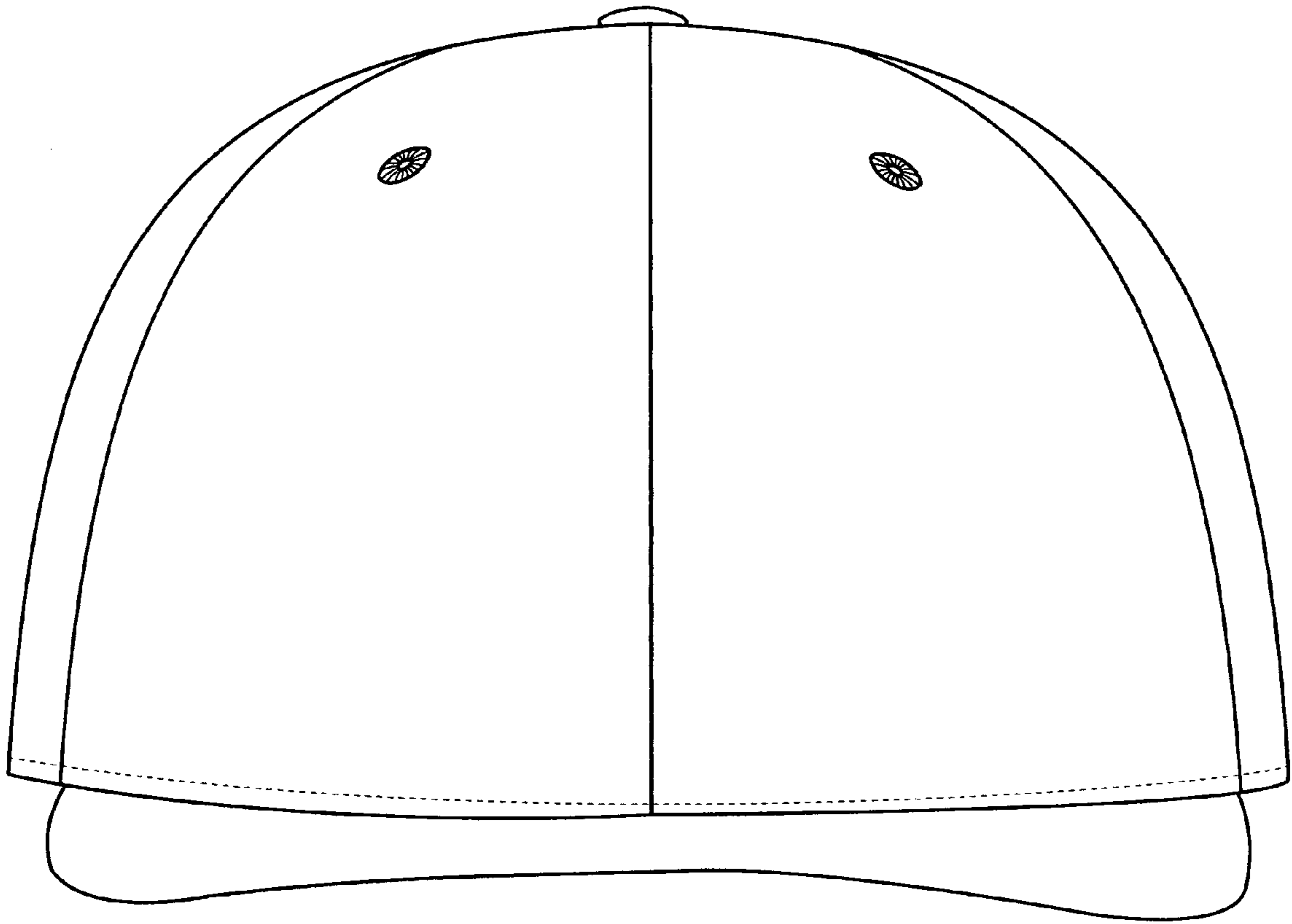


FIG 3

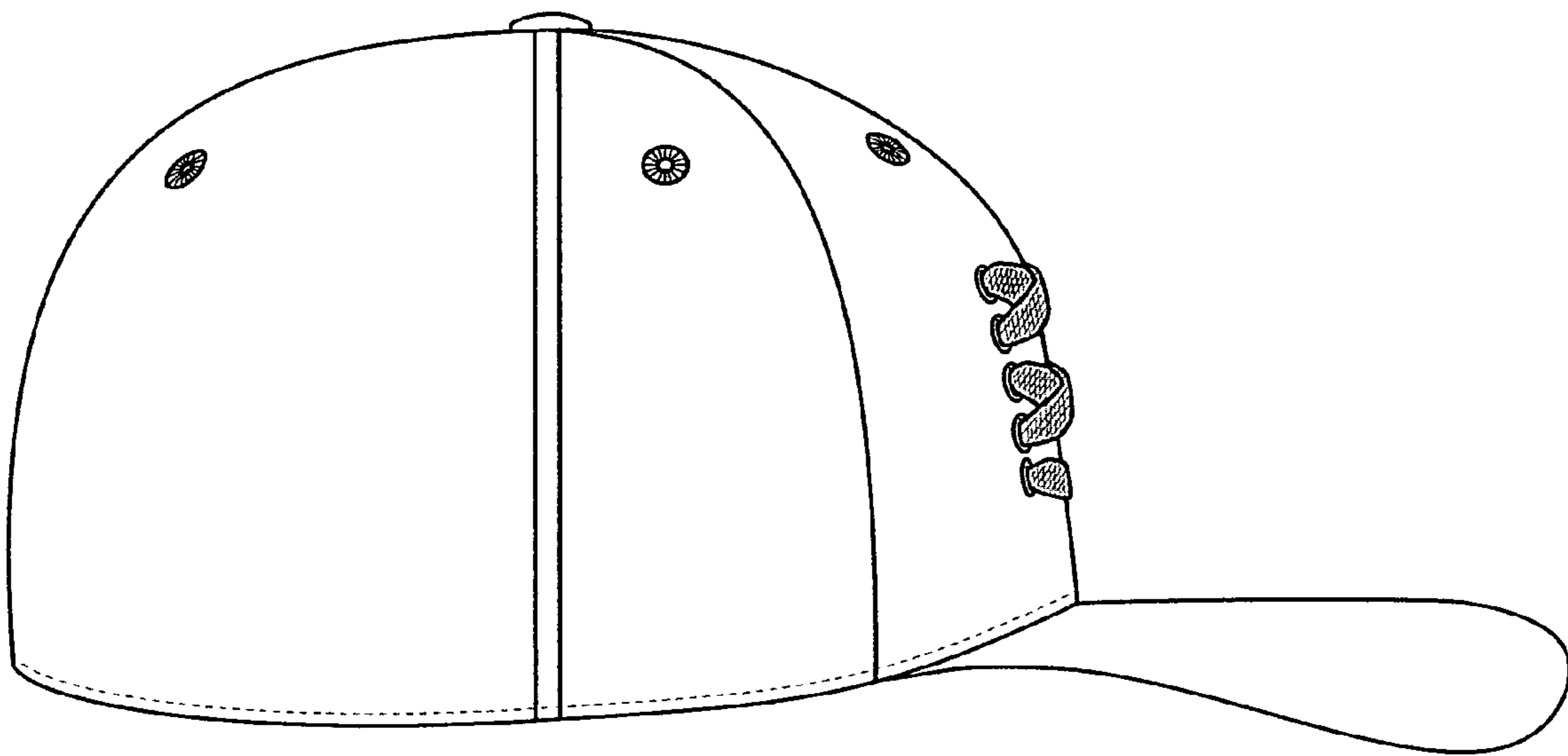


FIG 4

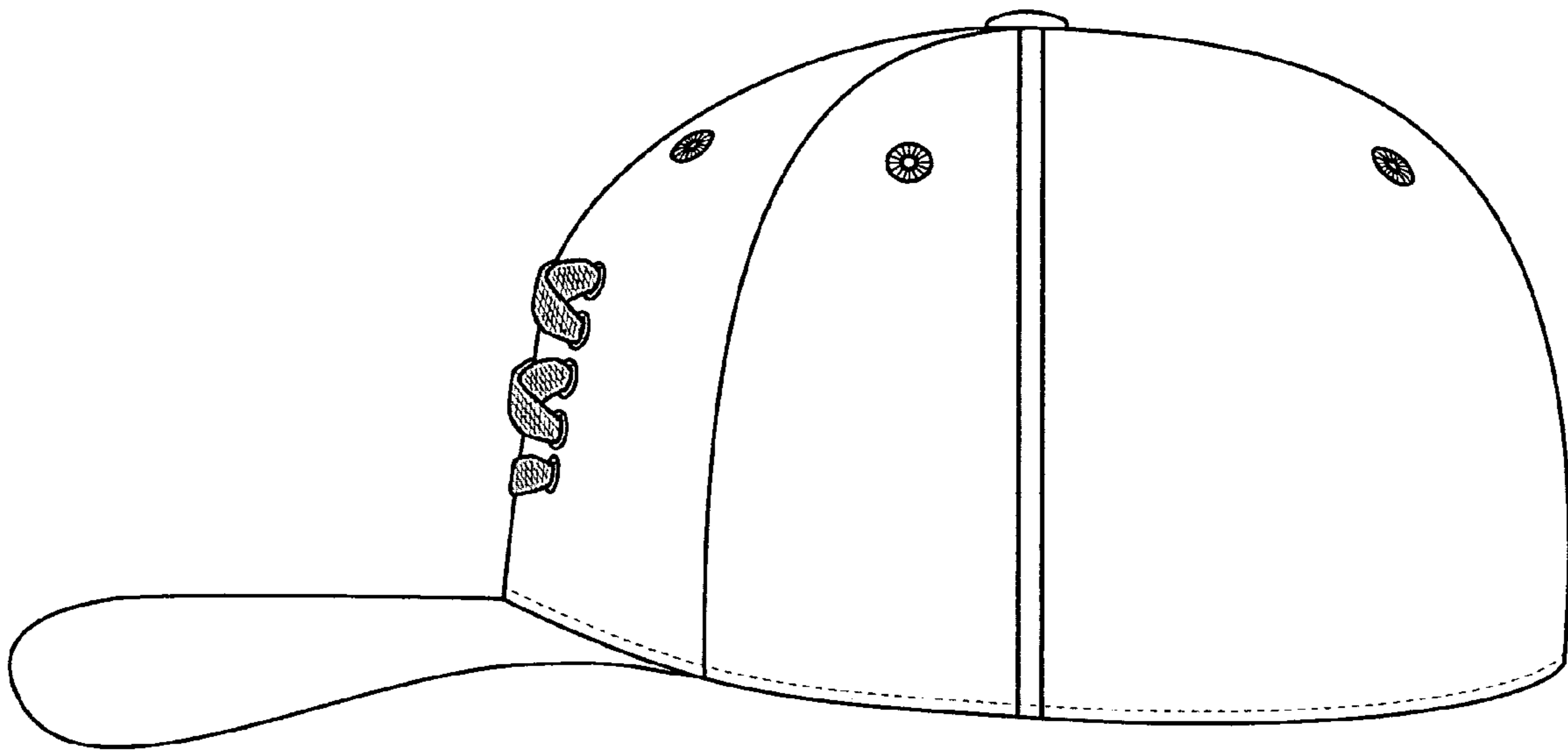


FIG 5

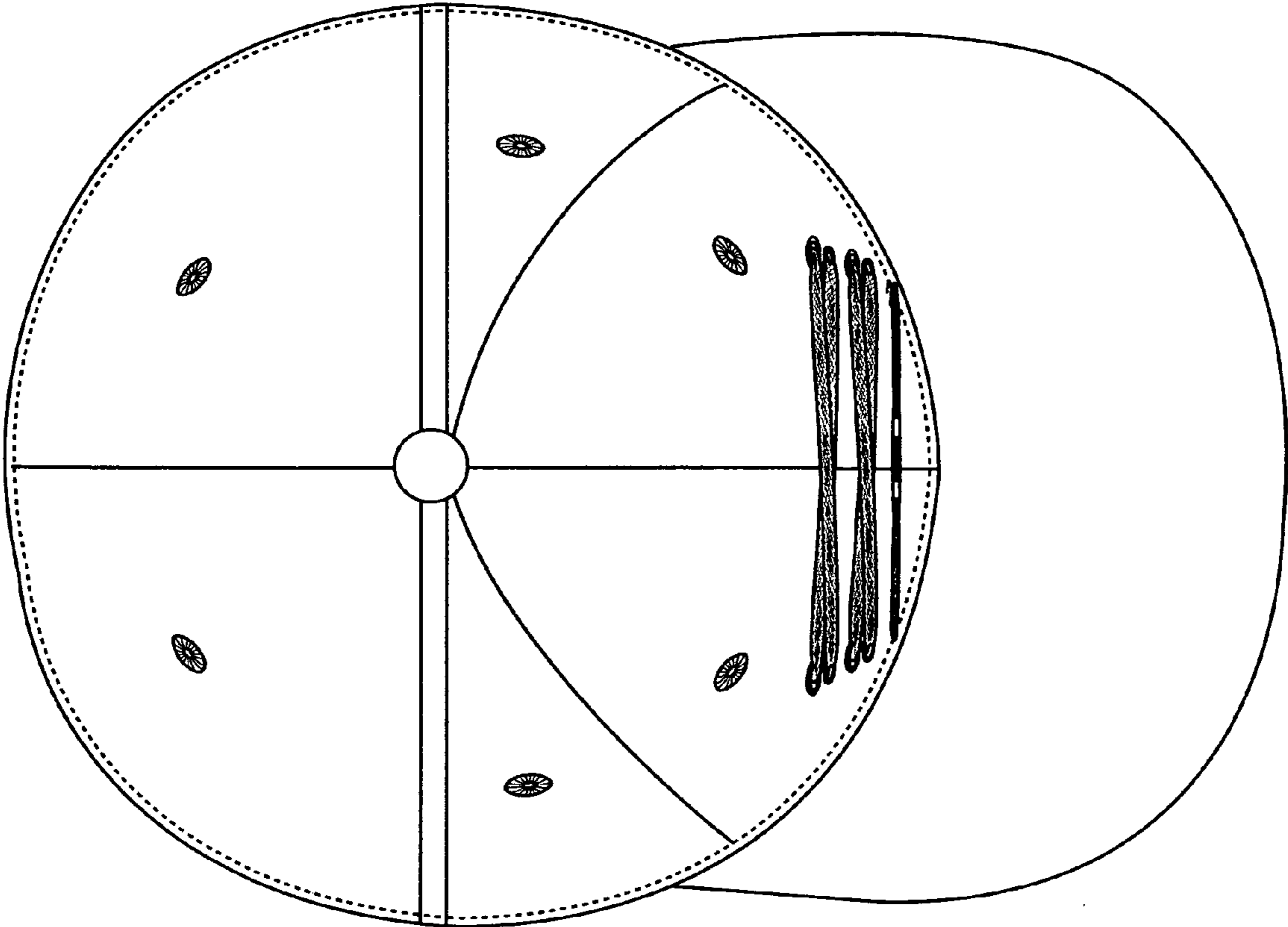


FIG 6

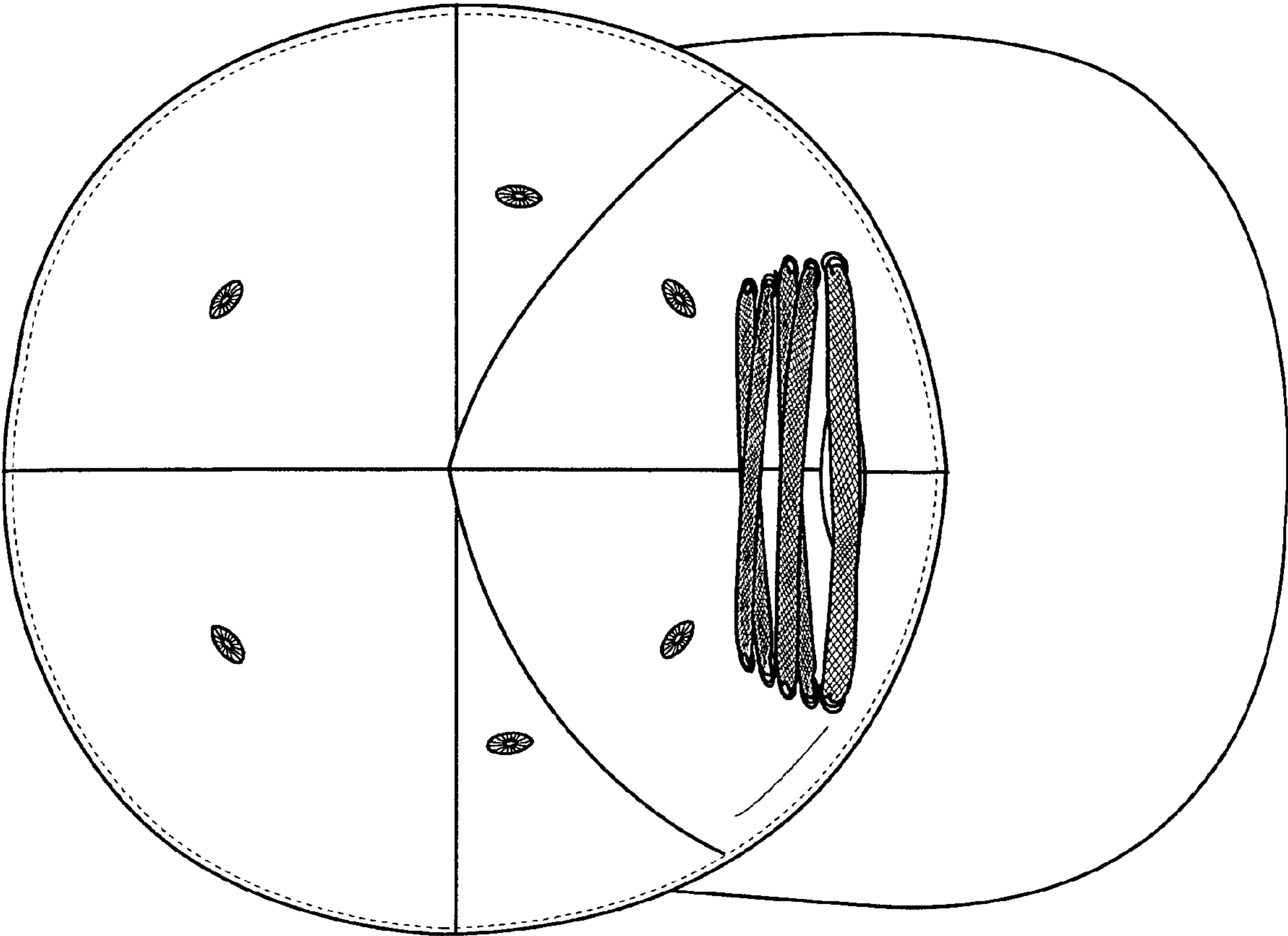


FIG 7